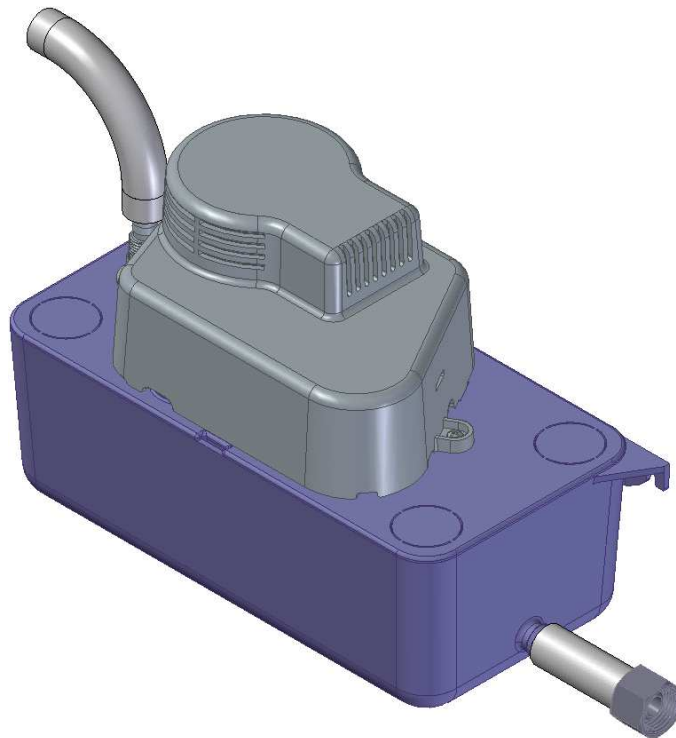

INSTALLATION INSTRUCTIONS CONDENSATE PUMP KIT

Purpose: This Instruction gives detailed information on installing the VRC condensate pump kit






Safety Alerts: **⚠ WARNING:** Risk of arc flash and electric shock. Can cause serious injury or death. Remove power to the VRC unit before installation. Open all local and remote unit electric power supply disconnect switches, verify with a voltmeter that power is off. This kit must be installed only by qualified HVAC service personnel.

NOTICE: Risk of improper auxiliary float switch wiring. Can cause failure of high water alarm activation and unit shutoff resulting in catastrophic building and equipment damage from water overflowing the condensate pump.



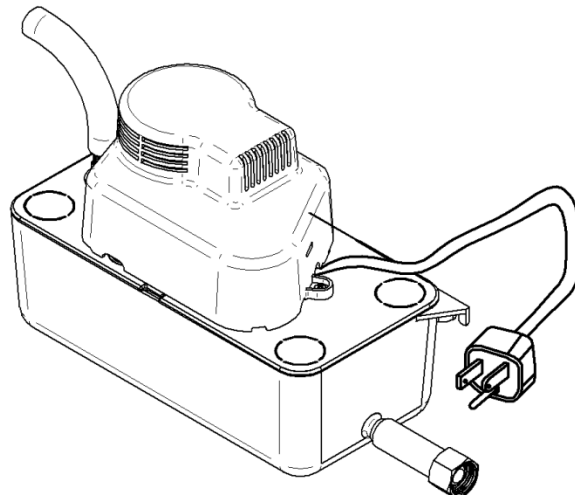
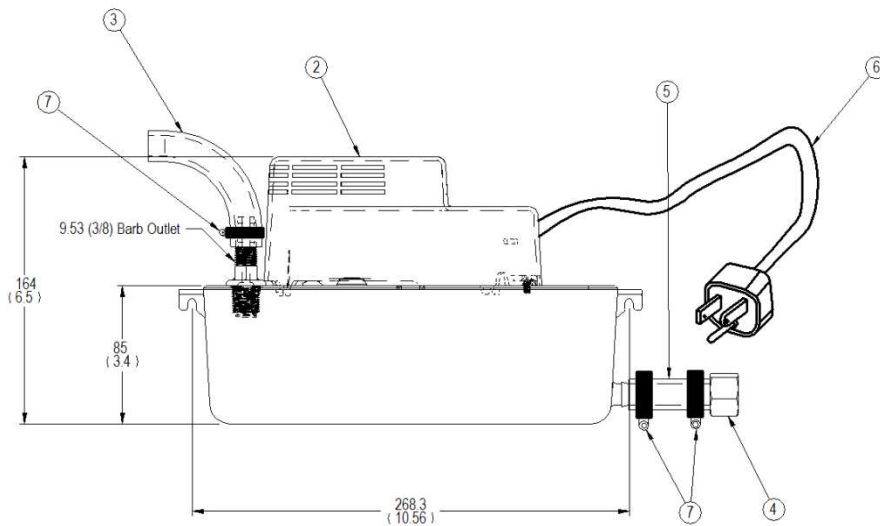
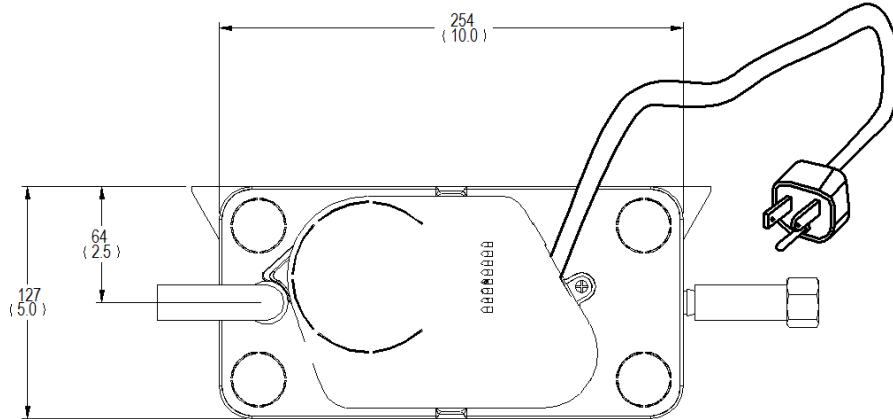
INSTALLATION INSTRUCTIONS CONDENSATE PUMP KIT

Following are components of VRC PUMP KIT:

Item No.	Description	Qty.	Views
1	INSTALLATION INSTRUCTIONS	1	
2	CB201UL PUMP	1	
3	DISCHARGE HOSE	10 Feet	
4	1/2" NPT FEMALE TO 1/2" BARBED HOSE FITTING	1	
5	INLET HOSE	6 Feet	
6	POWER CORD - 3 PRONG 6 FT. NEMA 5-15 P UL	1	ATTACHED TO PUMP
7	HOSE CLAMPS	4	

INSTALLATION INSTRUCTIONS CONDENSATE PUMP KIT

Dimensional reference figures:



VRC PUMP KIT

INSTALLATION INSTRUCTIONS CONDENSATE PUMP KIT

INSTALLATION OF VRC CONDENSATE PUMP KIT

- 1) Remove all components from the box
- 2) Connect item 4 (½ inch barbed NPT Female fitting) to the condensate discharge (½ inch NPT outlet) using appropriate pipe thread sealant. Refer Fig. 1.

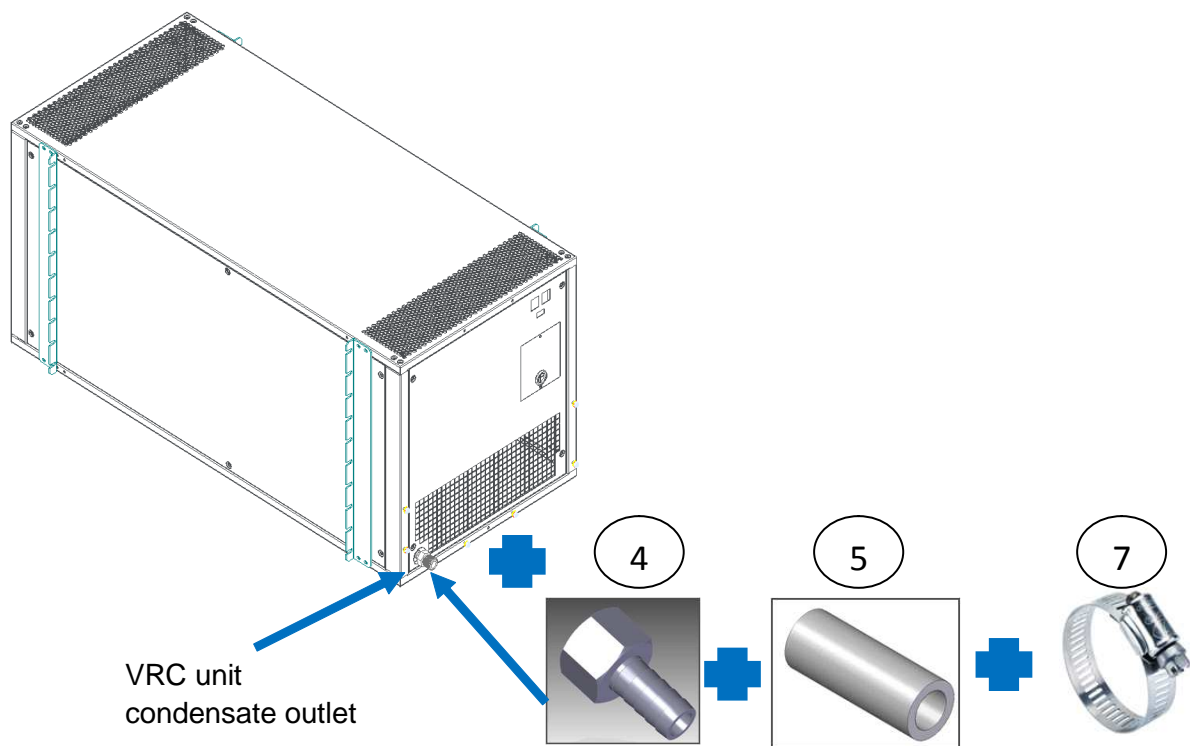


Fig. 1 - Rear view of VRC unit

- 3) Connect item 5 (½ inch inlet hose) to item 4 (½ inch barbed fitting) and secure with hose clamp item 7 (Fig. 1).

INSTALLATION INSTRUCTIONS CONDENSATE PUMP KIT

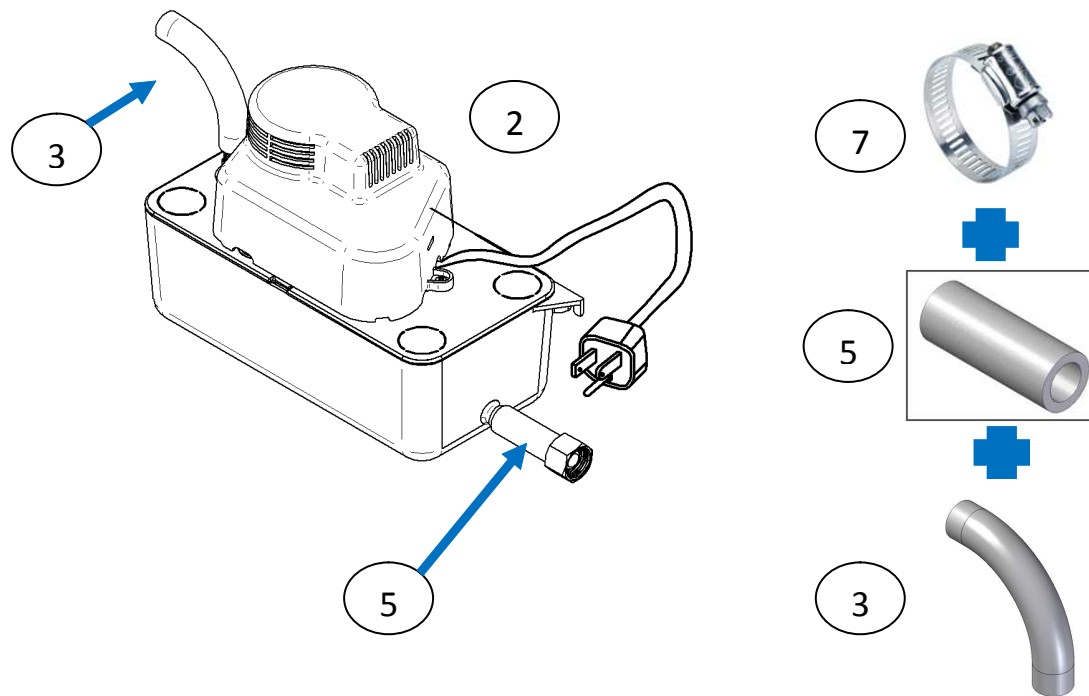


Fig. 2 – Pump mounting kit

- 1) Connect the other end of item 5 (1/2 inch inlet hose) to pump inlet (1/2 inch barbed fitting) and secure with hose clamp item 7 as in Fig. 2. If required cut the tube to the desired length.

IMPORTANT: Do not trap between the unit and pump inlet. The pump tank should sit below the VRC unit condensate outlet.

- 2) Connect item 3 (3/8 inch discharge hose) to 3/8 inch pump discharge as shown in Fig.2.



LIEBERT VRC

INSTALLATION INSTRUCTIONS CONDENSATE PUMP KIT

Installation Notes:

1. The torque values can vary considerably depending on thread condition, adequate sealing can occur at values much lower than recommended
2. If thread sealant or lubricant is used, maximum torque values should be decreased by 25%
3. Tubing to be free of wrinkles, flats and humps
4. Tubing shall be cut using tools designed and maintained (sharp cutting surface) specifically for that purpose
5. If unexpected resistance is felt when threading nut to finger tight, then fitting should be cleaned or replaced
6. If fitting leaks, tighten fitting in increments of ¼ hex flat until leak stops
7. If fitting still leaks, take fitting apart and examine for scratches, damaged threads or improper tubing alignment
8. Determine if fitting should be replaced
9. The safety switch leads should be connected for proper operation of the pump. Using this feature may prevent damage from condensation overflowing if the discharge becomes blocked or pump fails. The leads may be connected in series with the low voltage thermostat circuit so as to shut down air conditioning system if water level in pump tank rises beyond normal, or they may be connected to an external alarm.

INSTALLATION INSTRUCTIONS CONDENSATE PUMP KIT

Notes:

1. Connect and run the drain line from the pump to a suitable drain per local codes. For best results do not extend discharge tubing beyond 18 feet vertically (Refer to pump performance chart Fig. 3).
2. Apply power to the pump & the VRC unit.
3. Run unit to verify proper pump operation.
4. Check the drain line connections for leaks.

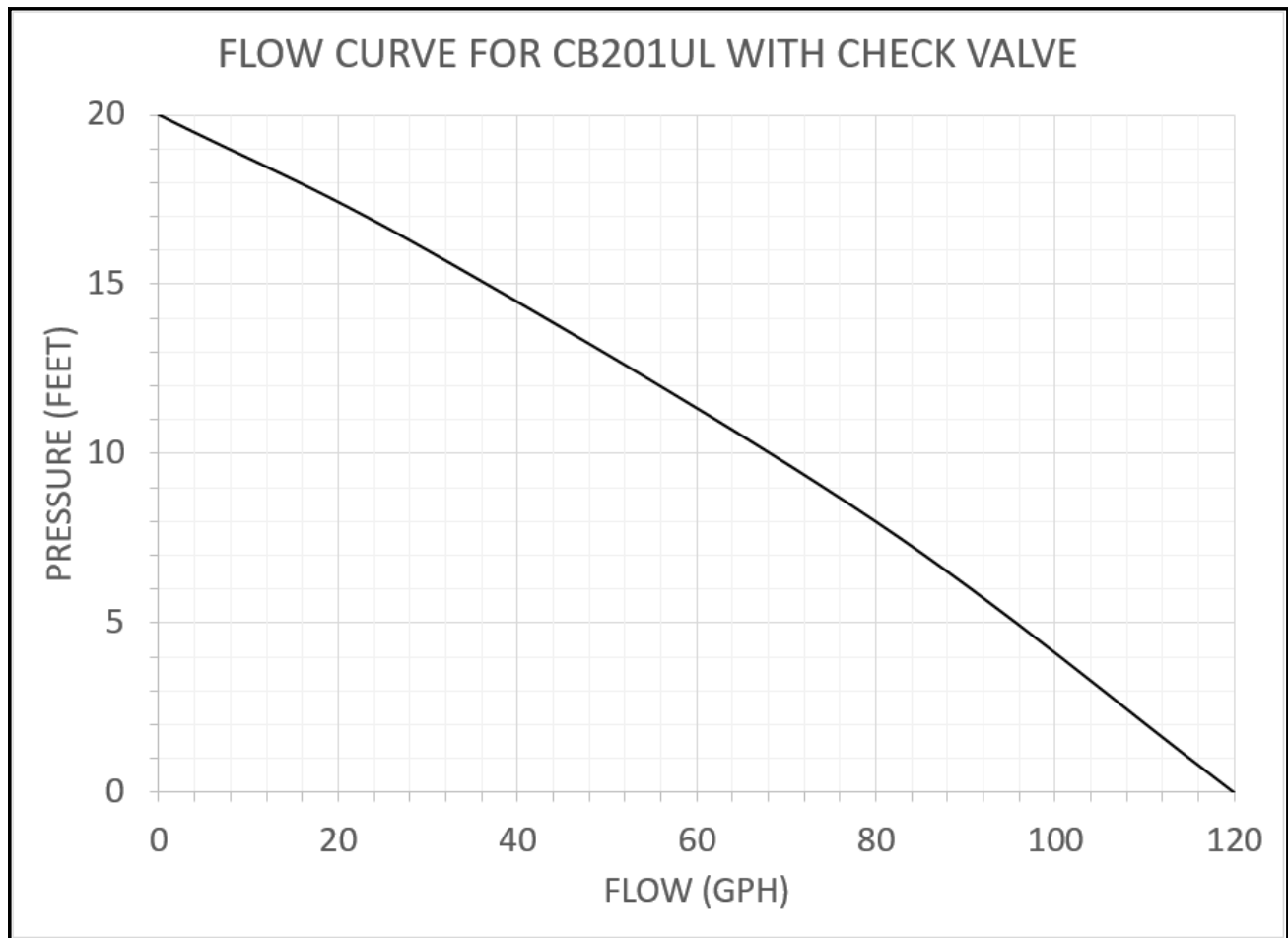


Fig. 3