

GEIST™ ISOLATED VOLTAGE SENSOR

Quick Installation Guide



Part Number:
IVS

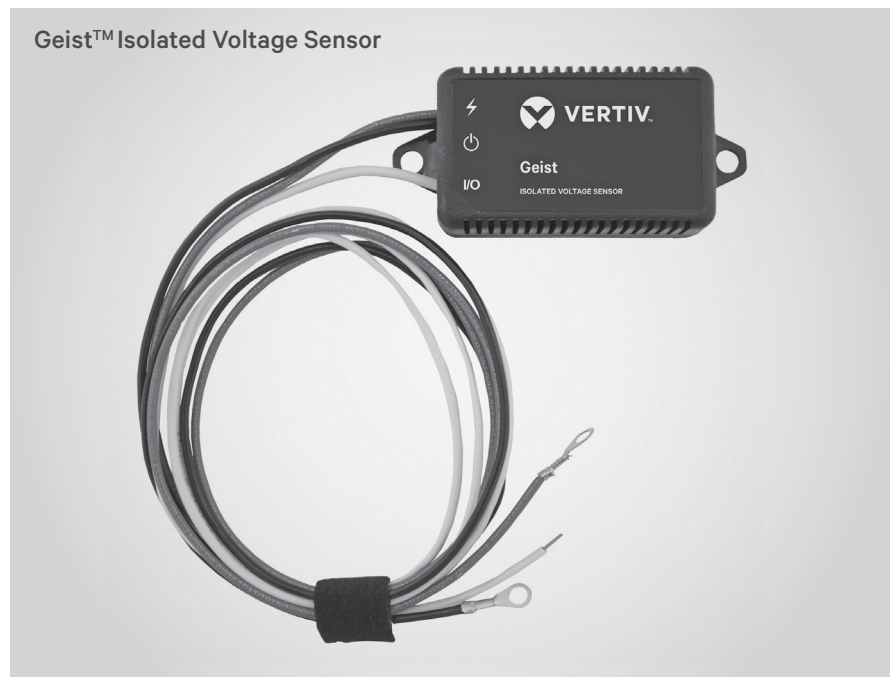
Description

The isolated voltage sensor, in combination with a Geist environmental monitoring device, monitors DC voltages used in battery-backup systems.

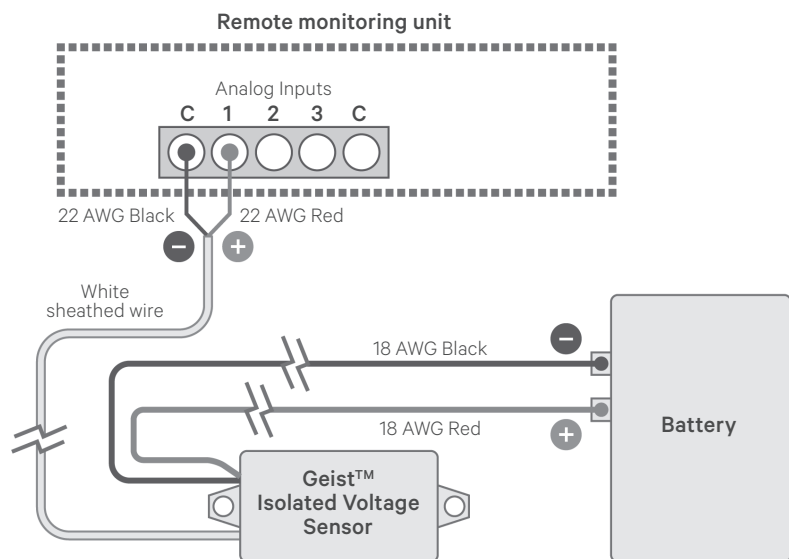
NOTE: If the Geist environmental monitoring device does not have analog/dry contact inputs, the Geist A2D analog-to-digital converter can be utilized for conversion to an RJ12 sensor port.

Installation

1. Mount the isolated voltage sensor in the desired location.
2. Route and secure the analog (22 AWG) wires to the analog/dry contact inputs of the Geist device by attaching the common wire to terminal C and the remaining wire to terminal 1.
3. Route and secure the 18 AWG wires to the battery by attaching the black wire to the negative (-) battery terminal and the red wire to the positive (+) battery terminal.



Geist™ Isolated Voltage Sensor Configuration





To contact Vertiv Technical Support: visit www.VertivCo.com

© 2019 Vertiv Co. All rights reserved. Vertiv and the Vertiv logo are trademarks or registered trademarks of Vertiv Co. All other names and logos referred to are trade names, trademarks or registered trademarks of their respective owners. While every precaution has been taken to ensure accuracy and completeness herein, Vertiv Co. assumes no responsibility, and disclaims all liability, for damages resulting from use of this information or for any errors or omissions. Specifications are subject to change without notice.

