

## Liebert® RCM4™ Remote Alarm Monitoring for Critical Systems

Liebert RCM4 contact monitor displays customized alarm indication for any dry contact input, including Liebert units. These remote systems continuously survey your most critical support equipment and instantly alert you to alarm conditions.



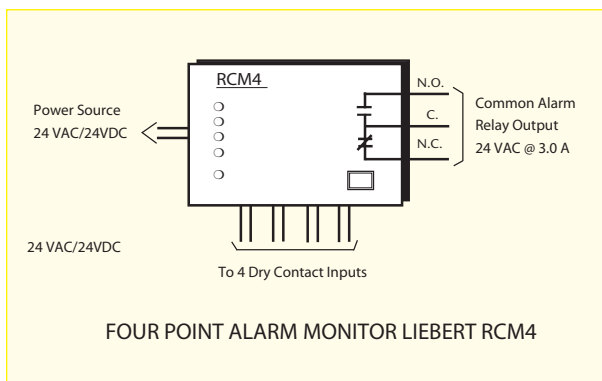
### Liebert RCM4 Features

- Customized alarm messages are associated with each LED for quick identification of alarm conditions.
- Easily installed, with removable screw terminal connectors to simplify set-up of monitored points.
- Automatic system reset when incoming alarms are corrected.
- Four-point contact closure monitor.
- Monitors any dry contact, including leak detection, environmental, power and UPS systems.

## Liebert RCM4 Contact Monitor Panel

### Typical Specifications

- Four point monitor for any combination of environmental, power, and UPS systems, or other dry contact inputs. Powered by 24 Volts AC or DC, 6 VA amp — optional 120 VAC to 24 VAC transformer.
- Removable screw terminal connectors for easy installation.
- Wall-mounted display panel.
- Normal Operation LED (green).
- Alarm Indication LED (red).
- Field customized alarm message area beside each LED alarm indicator.
- Common alarm Form C relay (normally open and normally closed contacts) rated 24V at 3.0 amps AC. For Class 2 circuits only.
- Audible alarm.
- Silence alarm pushbutton.
- Alarm retriggered for each new incoming alarm.
- Automatic reset. Common alarm relay is self-cleared when all incoming alarms are corrected.



### Liebert Corporation

1050 Dearborn Drive  
P.O. Box 29186  
Columbus, Ohio 43229  
800 877 9222 Phone (U.S. &  
Canada Only)  
614 888 0246 Phone (Outside U.S.)  
614 841 6022 FAX

Via Leonardo Da Vinci 8  
Zona Industriale Tognana  
35028 Piove Di Sacco (PD)  
Italy  
39 049 9719 111 Phone  
39 049 5841 257 FAX

Emerson Network Power Asia Pacific  
7/F., Dah Sing Financial Centre  
108 Gloucester Rd, Wanchai  
Hong Kong  
852 2572201 Phone  
852 28029250 FAX

### liebert.com

### 24 x 7 Tech Support

800 222 5877 Phone  
614 841 6755 (outside U.S.)  
monitoring@emerson.com email

While every precaution has been taken to ensure accuracy and completeness in this literature, Liebert Corporation assumes no responsibility, and disclaims all liability for damages resulting from use of this information or for any errors or omissions.

© 2008 Liebert Corporation. All rights reserved throughout the world. Specifications subject to change without notice.

All names referred to are trademarks or registered trademarks of their respective owners.

© Liebert is a registered trademark of the Liebert Corporation.

SL-31020 (R02/08) Printed in USA

### Emerson Network Power. The global leader in enabling Business-Critical Continuity™.

- AC Power
- Connectivity
- DC Power
- Embedded Computing
- Embedded Power
- **Monitoring**
- Outside Plant
- Power Switching & Controls
- Precision Cooling
- Racks & Integrated Cabinets
- Services
- Surge Protection

### Emerson Network Power.com

Business-Critical Continuity, Emerson Network Power and the Emerson Network Power logo are trademarks and service marks of Emerson Electric Co. ©2008 Emerson Electric Co.