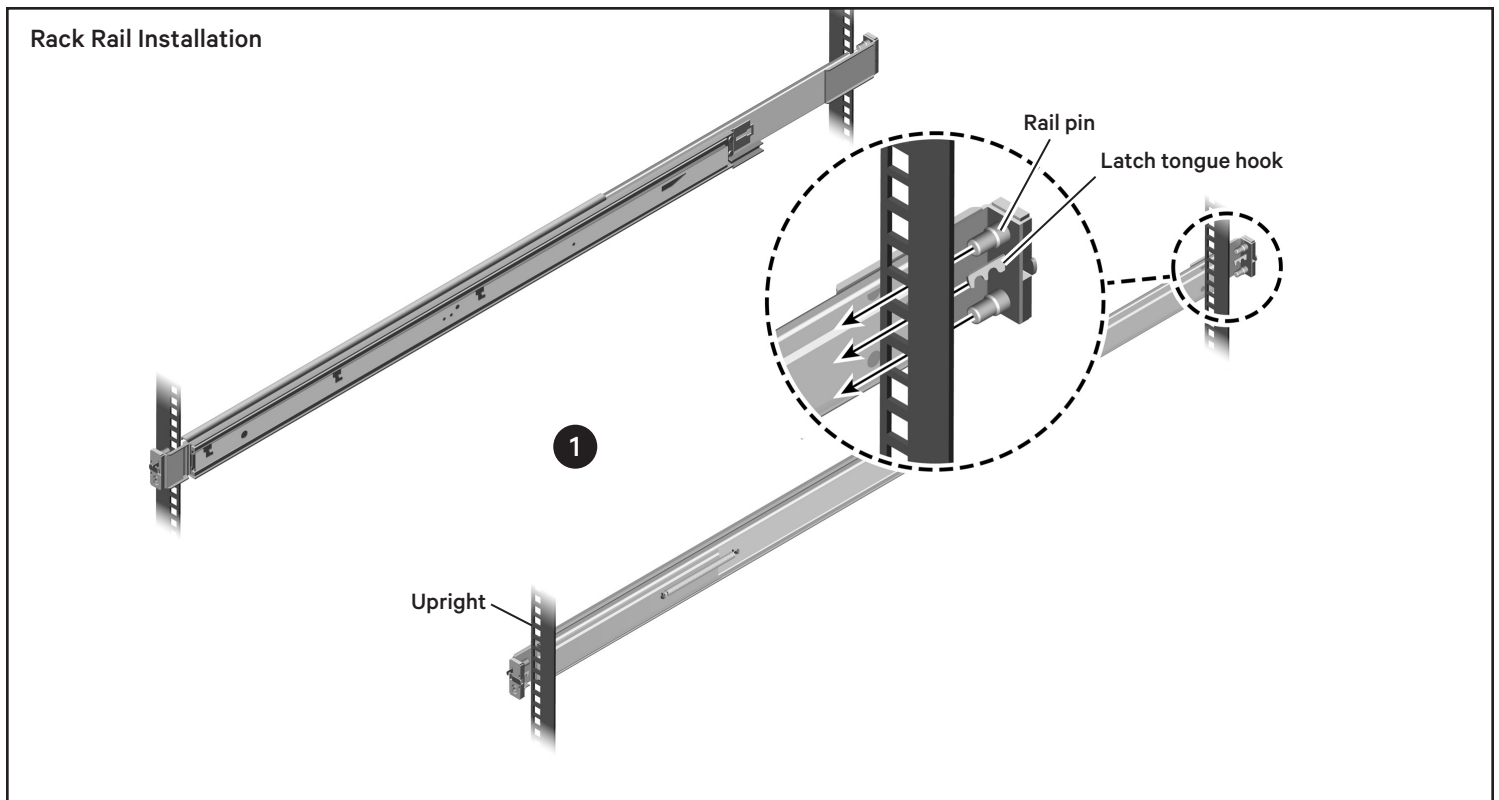


Avocent® MP1000 Management Platform



Quick Installation Guide



Management Platform Rack Installation

1. Installing the rail assemblies

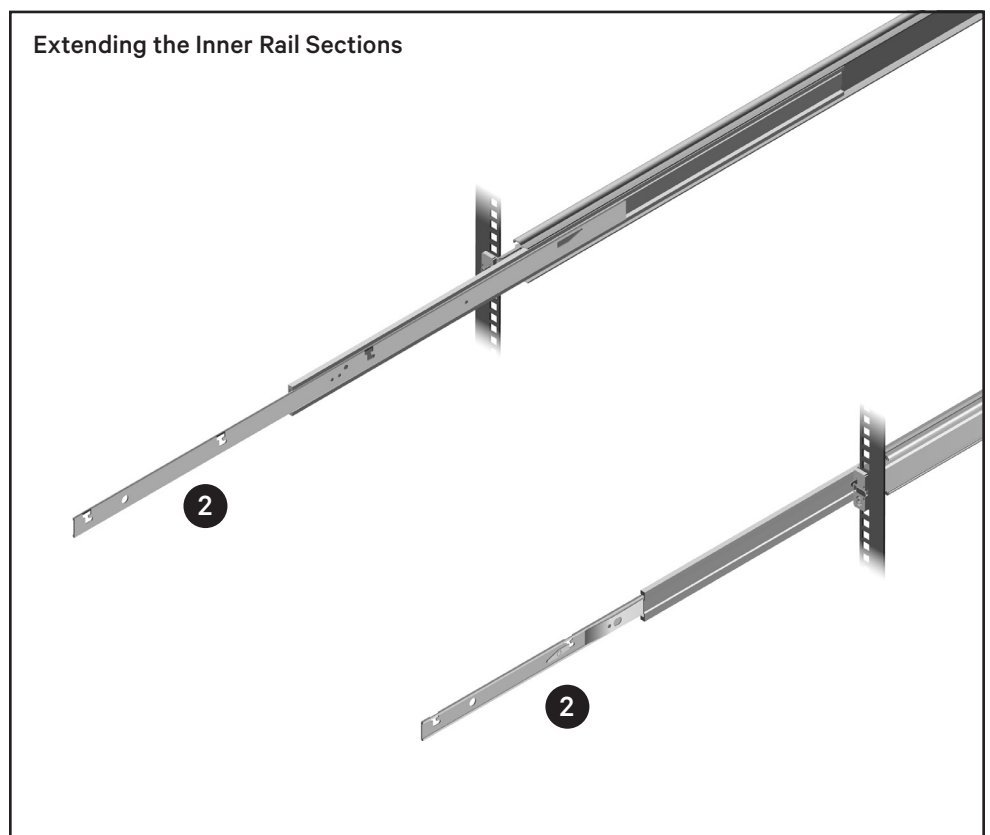
Determine the 1U space in the rack where you will install the management platform and ensure the rack depth is sufficient.

NOTE: Each rail assembly is marked with a label denoting the side of the server cabinet on which it is to be installed as well as which rail end is considered the front.

Align the front upper and lower pins of one of the rail assembly ends with the corresponding 1U holes on the rack upright. The latch tongue hook will be aligned with the 1U's center hole.

Push the pins into the upright holes until the latch tongue hook clicks in place.

NOTE: The pins are designed to work with round or square upright holes. For round upright holes, the first



latch tongue hook engages. With square upright holes, the pins insert further, requiring the second latch tongue hook to engage.

Repeat for all rail ends.

2. Prepping the rails for the management platform

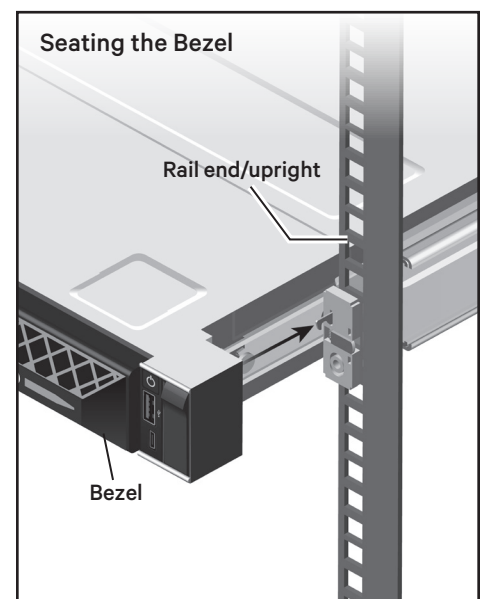
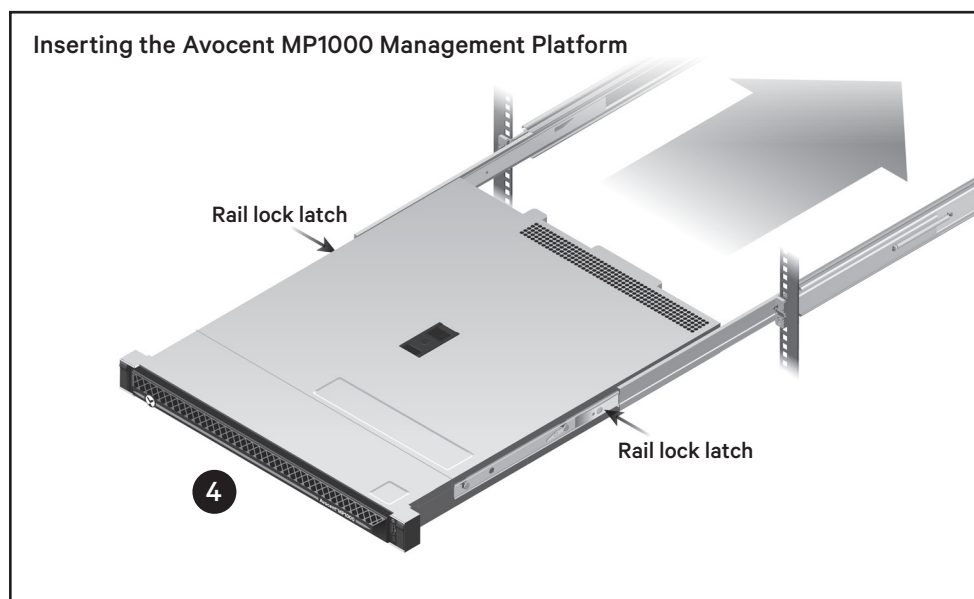
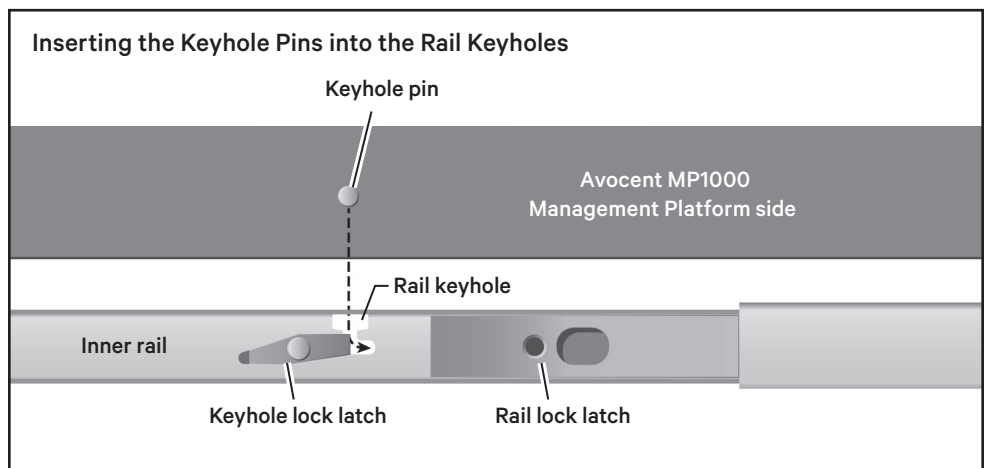
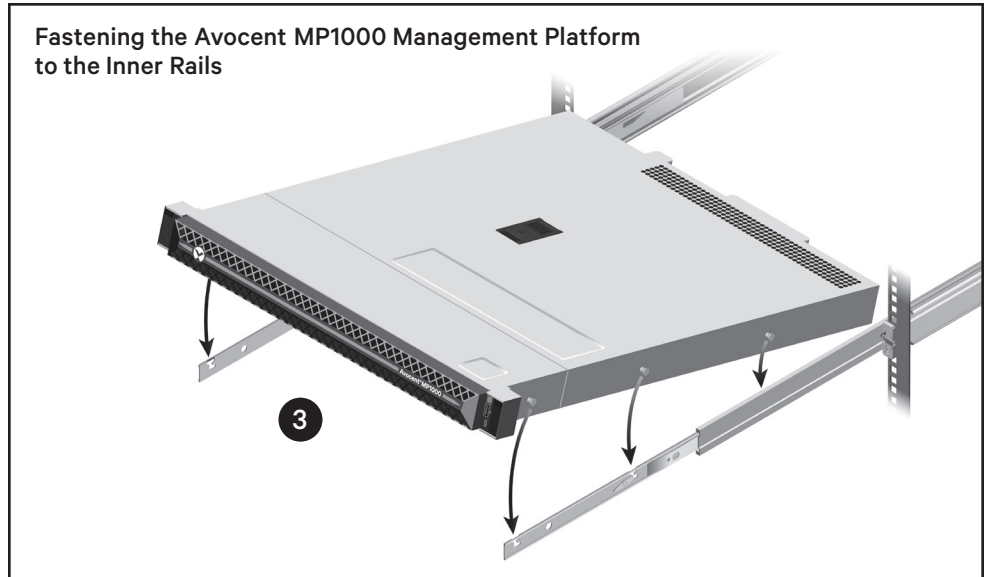
Fully extend the two inner rails as shown in the illustration, Extending the Inner Rail Sections, located on the previous page.

3. Fastening the management platform to the rack rails

Locate the keyhole slots on the inner rail extensions. Slip the keyhole pins, located along either side of the management platform, down into their corresponding rail keyhole slots. Once the keyhole pins slide down into the elbow of the keyhole slot, push forward to complete the seating and to engage the keyhole lock latches.

4. Inserting the management platform

Press in on both the rail-lock latches, located on each side and just to the front of the keyhole-lock latch, to collapse the rail extensions. Continue to push the management platform into the 1U space until the back of the front bezel is securely seated against the rail end/upright.



Management Platform Connection and Configuration

5. Connecting to the network

Use an Ethernet cable to connect your network to the Gb1 port on the rear of the management platform.

6. Making a serial or VGA connection

To initially configure an IP address for the management platform (see Step 8), you will first have to make either a serial connection to the console port or connect a monitor and keyboard to the management platform.

Use a serial cable, with serial settings of 115200 bps, no parity, 1 stop bit, 8 data bits and no flow control, to connect an LCD tray or crash cart to the management platform console port.

Alternatively, you can use a VGA cable and a USB cable to connect a monitor and keyboard to the management platform.

7. Connecting power

Connect power cords from a properly grounded electrical outlet or Power Distribution Unit (PDU) to both power ports on the right rear of the appliance.

Press the power button on the front right of the management platform to turn it on.

NOTE: For initial configuration, the management platform should only be turned on after either a serial connection or a monitor/keyboard connection has been made.

8. Assigning an IP address

By default, an IP address is obtained via DHCP. You can also configure a static IP.

To view the DHCP-assigned IP address or to configure a static IP address, perform the following steps:

- From the Command Line Interface (CLI), log in using **admin** as the username and

password. You are prompted to change the password.

- Select the option to show or configure network settings.

- Select the eno1 option.

NOTE: The IP address assigned by the DHCP server is visible once this option is selected. This address can be entered into a web browser to access the web User Interface (UI).

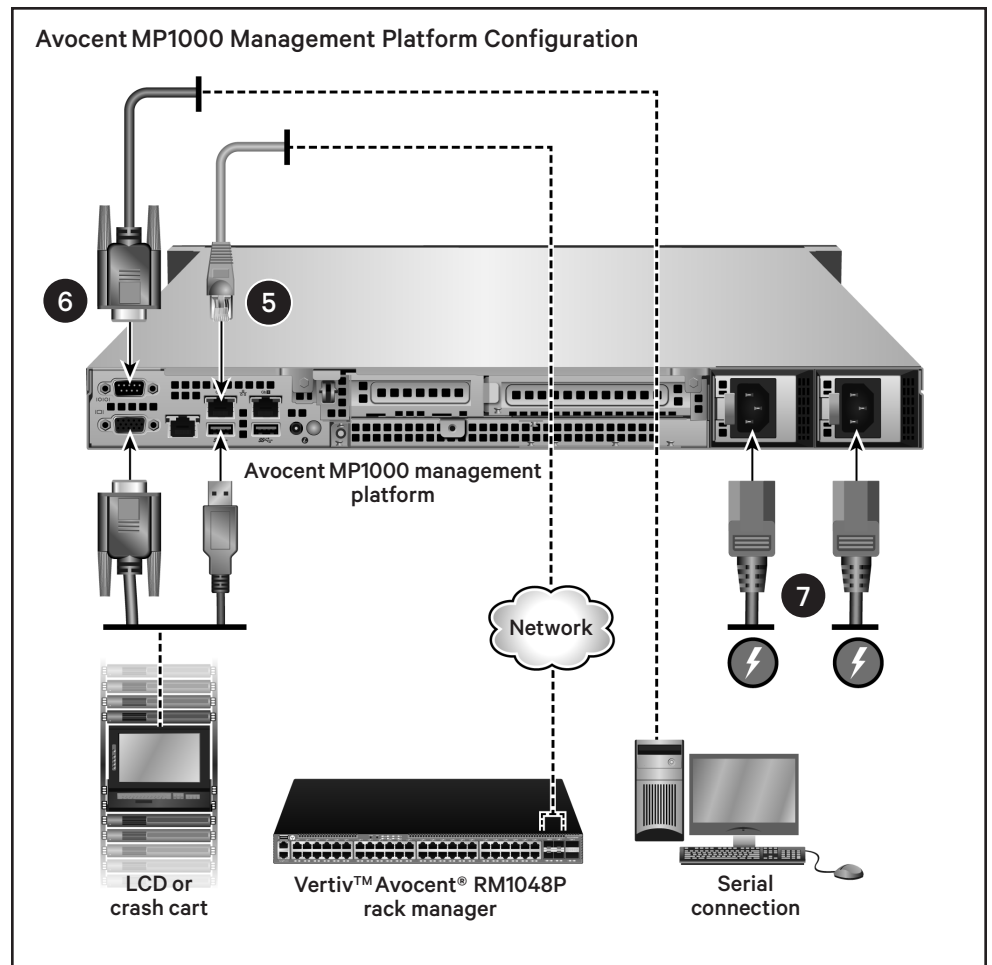
If you cannot log into the UI, the time settings may be incorrect. Please ensure you are on a network with a reachable NTP server or set the time manually. Please consult the user guide for more information.

- To assign a static IP address, select the applicable option and follow the on-screen prompts to configure the IP, subnet and gateway.

- Type **0** (zero) and press **Enter** to exit to the main menu.

- Enter the IP address assigned to eno1 into a web browser to access the web UI.

For more information, see the Vertiv™ Avocent® MP1000 Management Platform Installer/User Guide available on the product page at www.Vertiv.com.





To contact Vertiv Technical Support: visit www.Vertiv.com

© 2023 Vertiv Group Corp. All rights reserved. Vertiv™ and the Vertiv logo are trademarks or registered trademarks of Vertiv Group Corp. All other names and logos referred to are trade names, trademarks or registered trademarks of their respective owners. While every precaution has been taken to ensure accuracy and completeness here, Vertiv Group Corp. assumes no responsibility, and disclaims all liability, for damages resulting from use of this information or for any errors or omissions.

