

## Vertiv™ Knürr® ConAct®

### Network wall-mounted housing

#### Features

- Economical: savings of up to 50% on transport volume and storage space.
- Practical: "one-person" installation as housing is delivered in parts.
- Convenient for laying cables as it can be accessed from all sides; generous lateral clearance space.
- Individual configuration: various modification options available (color, design etc.).

**The Vertiv™ Knürr® ConAct® network wall-mounted housing is notable due to its simple and quick "one-person" installation.**

The Vertiv Knürr ConAct wall-mounted housing offers ideal conditions for network distribution. It is delivered in flat-pack sets.

Installing the ConAct network housing involves: Unpacking – and then network installation can begin within minutes.





A. ACT00024

■ **Economical**

- Einsparung bis zu 50% des Transportvolumens durch Flat-Pack-Verpackung (siehe Bild A).
- Durch platzsparende Verpackung einfacher Transport bis zur Montage.
- Kleine Verpackung – geringe Lagerfläche.



B. ACT00031

■ **"One-person" installation**

- No unnecessary dismantling of housing as it is delivered in parts.
- Rear panel mounted using drill-hole template.
- Easy assembly:
- Keyhole punching on the rear panel (see figure B).
- Push-in technology for mounting rails and covers.
- Symmetrical housing configuration.



C. ACT00030



D. ACT00033

■ **Cabling made easy**

- Access from all sides guarantees convenient mounting of the components.
- Open construction design permits easy cable management.
- Organized cable management with spacious lateral clearance area and cable clamping rails (see figures C+D).



E. ACT00034



F. ACT00033

■ **Accessories**

- Easy integration of accessories; e.g. socket strips with screw-on points on the vertical extrusion or on the rear panel (see figure E).
- Accessories available for orderly cable management; e.g. cable routing board or cable-routing bracket (see figure F).
- Comprehensive standard range of accessories available; e.g. shelves, drawers, socket strips, etc.

■ **Maintenance-friendly**

- Easy access for servicing is guaranteed when removing the side panels.
- Housing can be locked with security lock.
- Door opening angle: 180°.



ACT00017



ACT00024



ACT00004

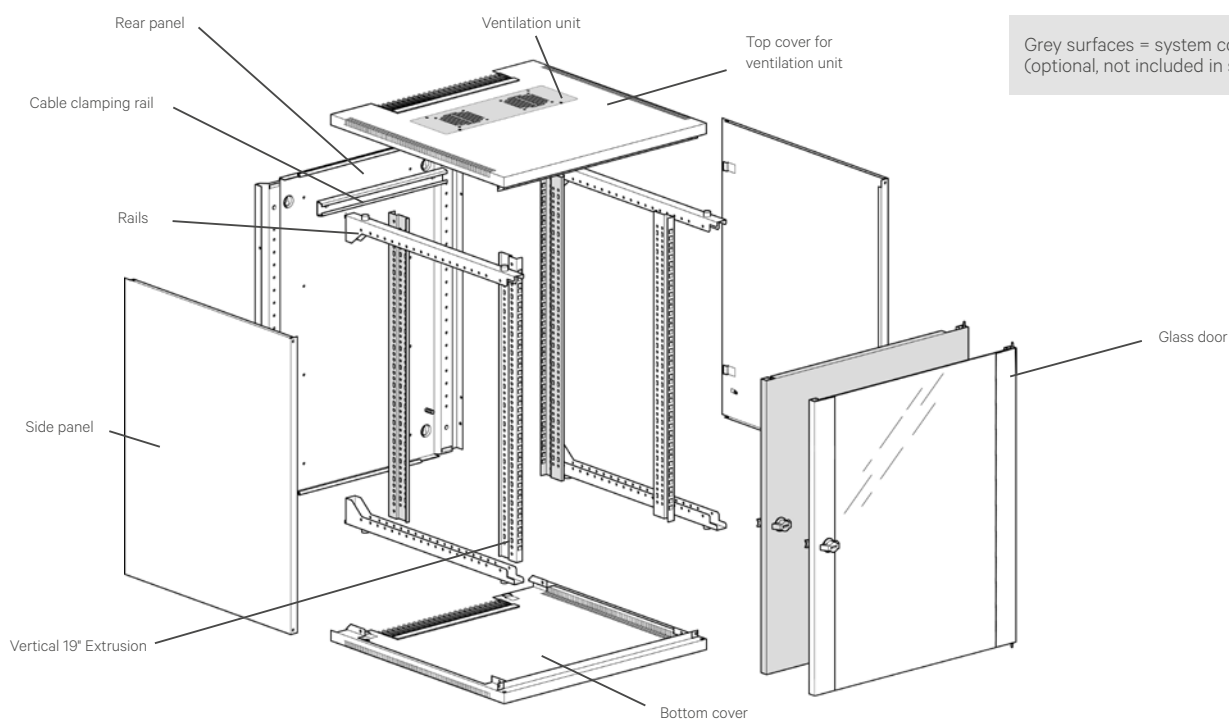


ACT00005

**1.** Unpack

**2.** Mount rear panel

**3.** Mount supports and vertical extrusions



Grey surfaces = system components  
(optional, not included in standard delivery)

ACT00038

### Vertiv™ Knürr® ConAct® Technical data

- 19" installation dimensions as per IEC 297-3**
  - Heights: 6 U / 9 HE / 12 U / 15 U / 18 U / 21 U / 24 U (1 U = 44.45 mm).
  - Widths: 482.6 mm (19").
- External dimensions**
  - Heights: 352 mm / 486 mm / 619 mm / 752 mm / 886 mm / 1019 mm / 1152 mm.
  - Width: 600 mm.
  - Depths: 400 mm / 500 mm / 600 mm.
- Standards**
  - Grounding VDE 0100 T 540, EN 60950, EN 60529.
- Configurations**
  - Stationary, wall mounting.



ACT00006



ACT00007



ACT00008

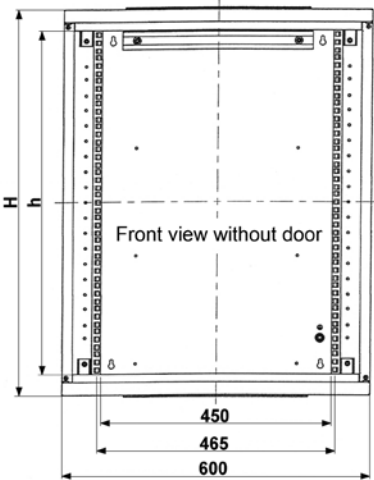
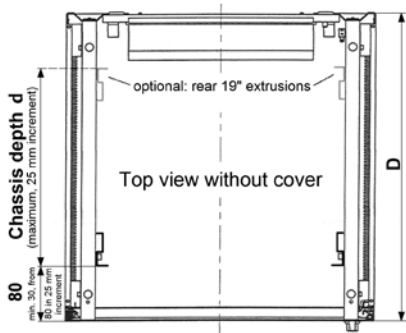
**4.** Install cables and components

**5.** Fit covers into place

**6.** Installation is now complete.



ACT20053



ACT20041

## Vertiv™ Knürr® ConAct® 19" Wall-mounted Housing

### Description

- For components compliant with IEC 297-3.
- Accessible from all sides; covers can be removed quickly.
- Cable routing via brush strip on top and bottom covers.
- Ventilation unit, optional (can easily be retrofitted).
- Front door with safety glass, lockable.

### Jumpering space

- 80 mm (minimum 32, > 80 in 25 mm increments).

### Load rating

- 500 N static.

### Protection rating

- IP 20.

### Material / Finish

- Rear panel and basic frame, sheet steel, zinc-passivated.
- Removable covers, sheet steel, powder-coated texture.
- Front door, single safety glass panel.
- 19" vertical extrusions, zinc-passivated sheet steel.

### Color

- RAL 7035, light-grey.

### Scope of delivery

- 1 x rear panel.
- 4 x mounting rails.
- 2 x 19" sheet-steel vertical extrusions.
- 1 x top cover, prepared for ventilation unit.
- 1 x bottom cover, closed.
- 2 x side panels.
- 1 x glass door.
- 1 x cable clamping rail.
- 2 x keys.
- 1 x Mounting kit.

### How supplied

- In parts.

W	H	D	U	h	d (max.)	kg	Model	Order No.	UP
600	352	400	6	270	235	16	With glass door	05.010.000.1	1 unit
600	486	400	9	404	235	19	With glass door	05.010.001.1	1 unit
600	619	400	12	537	235	22	With glass door	05.010.002.1	1 unit
600	752	400	15	670	235	25	With glass door	05.010.003.1	1 unit
600	886	400	18	804	235	28	With glass door	05.010.004.1	1 unit
600	1019	400	21	937	235	31	With glass door	05.010.005.1	1 unit
600	1152	400	24	1070	235	34	With glass door	05.010.006.1	1 unit
600	352	500	6	270	335	18	With glass door	05.010.007.1	1 unit
600	486	500	9	404	335	21	With glass door	05.010.008.1	1 unit
600	619	500	12	537	335	24	With glass door	05.010.009.1	1 unit
600	752	500	15	670	335	28	With glass door	05.010.010.1	1 unit
600	886	500	18	804	335	31	With glass door	05.010.011.1	1 unit
600	1019	500	21	937	335	34	With glass door	05.010.012.1	1 unit
600	1152	500	24	1070	335	37	With glass door	05.010.013.1	1 unit
600	352	600	6	270	435	20	With glass door	05.010.014.1	1 unit
600	486	600	9	404	435	23	With glass door	05.010.015.1	1 unit
600	619	600	12	537	435	27	With glass door	05.010.016.1	1 unit
600	752	600	15	670	435	30	With glass door	05.010.017.1	1 unit
600	886	600	18	804	435	34	With glass door	05.010.018.1	1 unit
600	1019	600	21	937	435	37	With glass door	05.010.019.1	1 unit
600	1152	600	24	1070	435	41	With glass door	05.010.020.1	1 unit

**assemble to order** (shipped within 5 working days).  
Caution: In case of larger orders, delivery times may increase.

Dimensions in mm:				Conversion:	
W = Width	h = Installation height	U = Standard rack unit	kg = Weight	1 mm = 0.03937 inch	
H = Height	d = Insertion depth	(1 U = 44.45 mm)		1 kg = 2.2046 pounds	
D = Depth	L = Length	UP = Packaging unit			



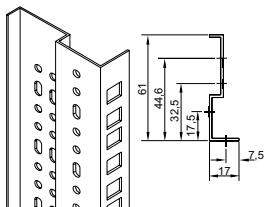
ACT00029

### Vertiv™ Knürr® ConAct® 19" Vertical Extrusion

- Install in front and/or rear of housing.

**Material / Finish**  
- Sheet steel, 1.5 mm, zinc passivated.

**Scope of delivery**  
- 2 x vertical extrusions.  
- 1 x Mounting kit.



ACT00035

U	Order No.	UP	
6	05.010.321.9	1 set	
9	05.010.322.9	1 set	
12	05.010.323.9	1 set	
15	05.010.324.9	1 set	
18	05.010.325.9	1 set	
21	05.010.326.9	1 set	
24	05.010.327.9	1 set	



ACT20058

### Vertiv Knürr ConAct Ventilation Unit with Thermostat

- Easy retrofitting of ventilation unit in top cover.
- With two axial fans.
- With thermostat.
- Available in two performance classes.

**Material / Finish**  
- Zinc-passivated sheet steel.

**Technical data for single fan**  
Type 1:  
- Volume flow (free blowing): 162 m<sup>3</sup>/h per fan.  
- Noise emission (free blowing): 37 dB(A).  
Type 2 (quiet):  
- Volume flow (free blowing): 120 m<sup>3</sup>/h per fan.  
- Noise emission (free blowing): 32 dB(A).

**Technical data for thermostat**  
- Setting range: 0 to 60°C.  
- Mains supply: 240 V / 50 Hz.  
- Nominal current: 16 A.

**Color**  
- RAL 7035, light-grey.

**Scope of delivery**  
- 1 x ventilation unit ready for connection.  
- 1 x Wired with thermostat.

**How supplied**  
- Assembled, wired and tested.



ACT20056



ACT20059

Model	Order No.	UP	
Type 1	05.010.306.1	1 set	
Type 2 (quiet)	05.010.307.1	1 set	



ACT20027

### Knürr ConAct® Sheet Steel Door

- Alternative to glass door.

**Material / Finish**  
- Sheet steel, powder-coated texture.

**Color**  
- RAL 7035, light-grey.

**Standard inclusion**  
- 1 x steel door.  
- 2 x keys.  
- 1 x Mounting kit.

**Delivery**  
- In sets.

**Note**  
If required, we also deliver our ConAct wall-mounted housing with a sheet-steel door. Please contact us at your leisure.



ACT20054

W	H	D	U	h	d	kg	Model	Order No.	UP
			6					05.010.421.1	1 unit
			9					05.010.422.1	1 unit
			12					05.010.423.1	1 unit
			15					05.010.424.1	1 unit
			18					05.010.425.1	1 unit
			21					05.010.426.1	1 unit
			24					05.010.427.1	1 unit



ACT00026

### Vertiv Knürr ConAct Grounding Set

- For grounding all covers on housing frame.

**Scope of delivery**  
- 5 x grounding conductors, 6 mm<sup>2</sup>.  
- 1 x Mounting kit.

Bestell-Nr.	VE	
05.010.330.9	1 Satz	



MIR00641

### Vertiv Knürr ConAct Cable Clamping Rail

- Cables secured with U-clamps, clamping bars or hammer-head threaded plate.
- For mounting on rear panel.

**Material / Finish**  
- Zinc-passivated sheet steel.

**Scope of delivery**  
- 1 x cable clamping rail.  
- 1 x Mounting kit.

**How supplied**  
- In sets.



ACT00006\_A

Order No.	UP	
05.010.340.9	1 set	



ACT20053

## Vertiv Knürr ConAct® Glass Door

### Material / Finish

- Covers, sheet steel, powder-coated texture.
- Glass infill, single safety glass panel.

### Color

- RAL 7035, light-grey.

### Standard inclusion

- 1 x glass door.
- 2 x keys.
- 1 x Mounting kit.

### Delivery

- In sets.

W	H	D	U	h	d	kg	Model	Order No.	UP
			6					<b>05.010.620.1</b>	1 unit
			9					<b>05.010.621.1</b>	1 unit
			12					<b>05.010.622.1</b>	1 unit
			15					<b>05.010.623.1</b>	1 unit
			18					<b>05.010.624.1</b>	1 unit
			21					<b>05.010.625.1</b>	1 unit
			24					<b>05.010.626.1</b>	1 unit