

# VERTIV™ BBE BD SERIES

UPCBD8000 Broadband Edge Enclosures



## KEY FEATURES

- Rugged metal housing made of mill-galvanized steel for durability and low maintenance costs.
- Our unique multi-stage paint process meets or exceeds EPA standards, and provides a tough corrosion resistant finish for longer life.
- Double-access hinged doors offer easy access to all conductors.
- Removable base cover provides simplified installation.
- Adjustable splice bars permit flexibility in dressing of conductors and splices.
- Close-cell neoprene door gasketing provides weatherproof protection for internal components.
- Positive action locking mechanism with padlock provision ensures security from unauthorized entry.
- Built-in pad-mounting capability in the base allows installation flexibility for multiple applications.
- Meets or exceeds RUS requirements.

## Description

The Vertiv™ BBE BD Series UPCBD8000 is a round-cornered rectangular-design copper/fiber splice or equipment enclosure. The UPCBD8000 may be used for high pair-count splices, cross-connect interface, fiber equipment, loop treatment electronics, and combined connection applications. This unit includes adjustable splice bars, two bonding and grounding bars, and pad-mounting hardware. Brackets for pad-mounting are built into the front and the rear bases. Although pad-mounting is recommended, stake-mounting holes are also provided.

## Application

The UPCBD8000 serves as an RUS accepted above-ground housing for large PIC cable splices, load coils, loop treatment devices, cross-connects, and combined connection applications. The UPC1850F1 is configured to accept most fiber splice enclosures, providing ample space for fiber slack storage.



### Dimensions

A	B	C	D	W
50-in.	14-in.	34-in.	18-in.	32-in.

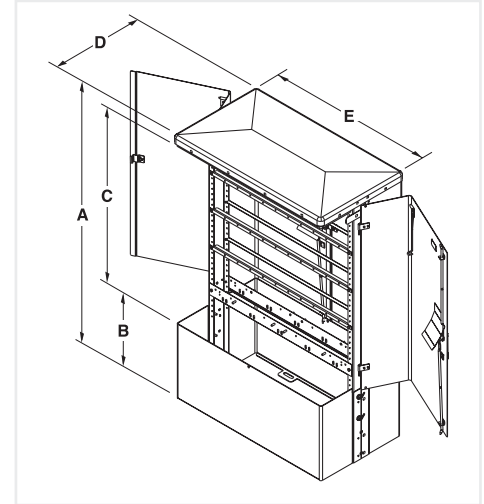
\* Thirty-five mounting locations on the vertical columns are spaced 1-in. apart, for use with 1/4-14" x 1/2" long self-threading hardware. The distance between the left and right column hole centers is 29.90-in.

### Ordering Information

CATALOG NUMBER	PART NUMBER	DESCRIPTION	SPLICE
UPCBD8000	F604058	Gray-green splice enclosure	7200 pair
UPC1850F1	F1007415	Fiber splice enclosure	*

\* Dependent on splice case capacity.

NOTE: Total number of pairs spliced is dependent on the connector and local practices.



UPCBD8000

### Accessories

CATALOG NUMBER	PART NUMBER	DESCRIPTION
MS1342	F604080	42-in. mounting stake, 10/pkg.**

\*\* Use when pad mounting is not desirable.



UPCBD8000 (front and rear doors open)