

# VERTIV™ CXE R66 SERIES

R66P25 Terminal Blocks



## KEY FEATURES

- Optional quick-clip, RJ21, or stub interfaces meet a variety of installation requirements.
- Provides FCC RJ21X demarcation for separation of telco central office pairs from customer premises equipment.
- Universal hold-down keeps connectorized RJ21s mated.
- Compact design is high density and has the same mounting dimensions as the standard 66M150.
- Mounts on standard 89-type brackets for dynamic allocation of wires on wall or frame-mounted applications.
- UL Listed to meet or exceed documented performance levels.

## Description

The Vertiv™ CXE R66 Series of indoor blocks offers protection for 25-pair in a compact, versatile, and cost-effective unit. These blocks have the same mounting dimensions as a 66M150 block, and can be mounted on a wall, backboard, or 89-type bracket.

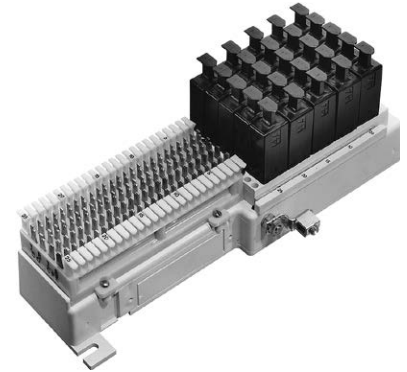
Standard network cable termination options are quick-clips. Customer premise equipment termination options are quick-clips or 50-position RJ21 connectors.

Unstripped solid 20 to 26-gauge (.4 to .8 mm) conductors can be easily terminated using an industry standard 714-type punch-down tool (Vertiv R714B). Each block is supplied with an integral fanning strip molded on one side of the base, marked every five rows to simplify pair identification.

Industry standard 5 pin protection modules are purchased separately.

## Application

The R66P25 Terminal of protected blocks for indoor use provide protection, protection/demarcation, and sneak current fuse protection. Intended for utilization in small businesses, multiple dwelling units (MDUs), and medium-density commercial or industrial buildings, the R66P25 series is used by regulated telcos, interconnects, and contractors.



R66P25QC  
Shown with Modules

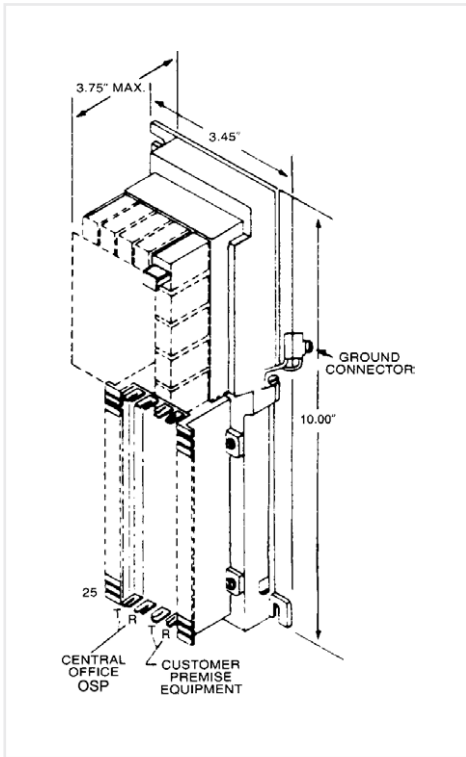


Figure 1

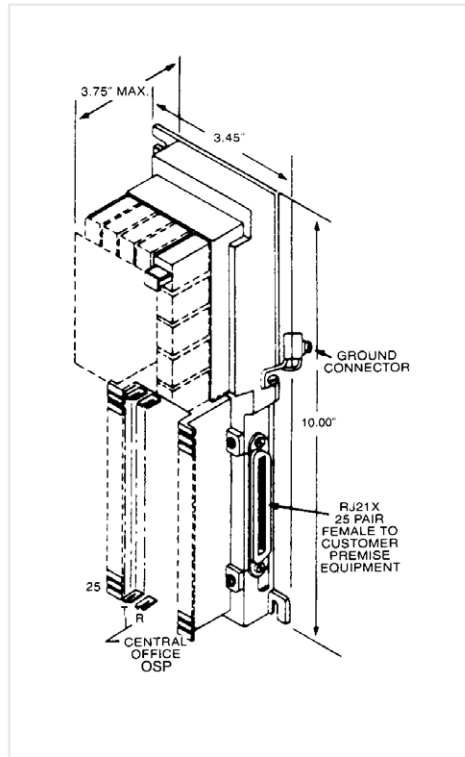


Figure 2

## Ordering Information

CATALOG NUMBER	PART NUMBER	APPLICATION	TERMINAL STYLE IN <sup>2</sup> /OUT <sup>3</sup>	R891 BRACKET REQUIRED <sup>4</sup>	FIG. NUMBER
R66P25QC	F015360	Protection	QC / QC	Optional	1
66P25QCC	F015361	Protection	QC / RJ21	Optional	2 Receptacle
R66P25QCVS	F015409	Protection e/w 6U2VS	QC / QC	Optional	1

### Abbreviations:

QC = Quick-connect clips or 66 Clips.

RJ21 = 50-position RJ21 connector with universal hold-down, mounted for bottom feed.

\*1 50 2-position bridging clips (Vertiv RA1) are included. Bridging clips are required to connect protection to customer premises equipment. Bridging is necessary.

**Note:** See UL card for usage limitations in meeting UL Spec No. 497 or 497A.

## Accessories

CATALOG NUMBER	PART NUMBER	DESCRIPTION
RA1	F005170	Bridging clips
P48723	F548723	Universal hold-down

VertivCo.com | Vertiv Headquarters, 1050 Dearborn Drive, Columbus, OH, 43085, USA

© 2018 Vertiv Co. All rights reserved. Vertiv and the Vertiv logo are trademarks or registered trademarks of Vertiv Co. All other names and logos referred to are trade names, trademarks or registered trademarks of their respective owners. While every precaution has been taken to ensure accuracy and completeness herein, Vertiv Co. assumes no responsibility, and disclaims all liability, for damages resulting from use of this information or for any errors or omissions. Specifications are subject to change without notice.