

VERTIV™ XTE PLATFORM SERIES

Cell Site Solution



KEY FEATURES

- 7.25' x 14' foot platform installs in a single day.
- Can be shipped pre-assembled for rapid deployment.
- No concrete is required for installation when helical foundation kit is ordered.
- Designed to accommodate radio and power cabinets, up to (36) RRHs, and genset with anti-spill containment system.

Description

Designed to be installed in eight hours or less, the Vertiv™ XTE Platform Series is ideal for rapidly deploying cell sites. No concrete is required to mount the platform thanks to innovative helical supports that are drilled into the ground. For rooftops or sites that already have a concrete pad in place, the platform can be installed on pillars. The elevation height of the platform is flexible, if desired. Prefabrication saves money, simplifies installation, and minimizes site disturbance.

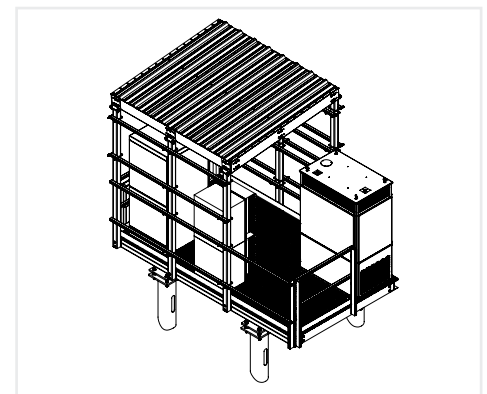
Technical Specifications

EQUIPMENT	
Dimensions - without stairs (W x L)	7.25' x 14' (87" x 168")
Elevation from ground	3' to top of platform (custom heights available)
Beams	Rigid four wall channels (not "C" channel)
Material	Single weldment of hot dipped galvanized steel
Regulatory Compliance	Designed and fabricated to OSHA and IFC specifications Rated 150 mph, 200 lb./ft.2, Seismic Zone IV

Ordering Information

VERTIV NUMBER	DESCRIPTION	DIMENSIONS (W X L)
Platforms		
D1000-0010-0102-FC	Factory configured platform	87" x 168"
D1000-0010-0102-SC	Site configured platform	87" x 168"
Foundations		
D1008-0050-0011	Helical foundation	10" diameter, 10' tall
D1008-0030-0005	Concrete-mount foundation	10" diameter, 2' tall

* Platform includes stairs, handrail, canopy, unistrut rail kit, lighting, and GFCI hardware.
Note: Order power and battery enclosures, PTS, genset, and RRHs separately as desired.



VertivCo.com | Vertiv Headquarters, 1050 Dearborn Drive, Columbus, OH, 43085, USA

© 2019 Vertiv Co. All rights reserved. Vertiv and the Vertiv logo are trademarks or registered trademarks of Vertiv Co. All other names and logos referred to are trade names, trademarks or registered trademarks of their respective owners. While every precaution has been taken to ensure accuracy and completeness herein, Vertiv Co. assumes no responsibility, and disclaims all liability, for damages resulting from use of this information or for any errors or omissions. Specifications are subject to change without notice.