

VERTIV™ BBE CAD SERIES

CAD4, 6, 8 Broadband Edge Enclosures



KEY FEATURES

- Rugged metal housing made of mill-galvanized steel for durability and low maintenance costs.
- Our unique multi-stage paint process meets or exceeds EPA standards, and provides a tough corrosion-resistant finish for longer life.
- Three convenient sizes; large capacity allows easy access to cable conductors.
- Swing-out locking divider plate provides positive grounding of all components.
- CAD enclosures can be self-supporting, stake, joint, pole- or wall-mounted for flexible installation capabilities.
- Removable lower front cover and service wire channel allow additional cable and wire placement without disturbing existing plant.

Distribution pedestals for buried cable plants.

Description

CAD (Controlled Access Design) enclosures are round-cornered square-design fixed-count distribution pedestals. The CAD series enclosures are available in three convenient sizes: CAD4 (4-in. W), CAD6 (6-in. W), and CAD8 (8-in. W). In the CAD6 enclosure, a 70-in. tall unit may be ordered (CAD670). Included in the CAD series enclosure are a hinged divider plate with universal hole pattern (except CAD4) bonding bracket, grounding connector, flexible bonding braid, and a dielectric shield. Stakes are not included and may be ordered separately.

Application

The CAD enclosures serve as universal above-ground housings for buried cable plant using either fixed-count or preferred-count design. The CAD enclosures also allow aerial terminations through available knockouts.



CAD8

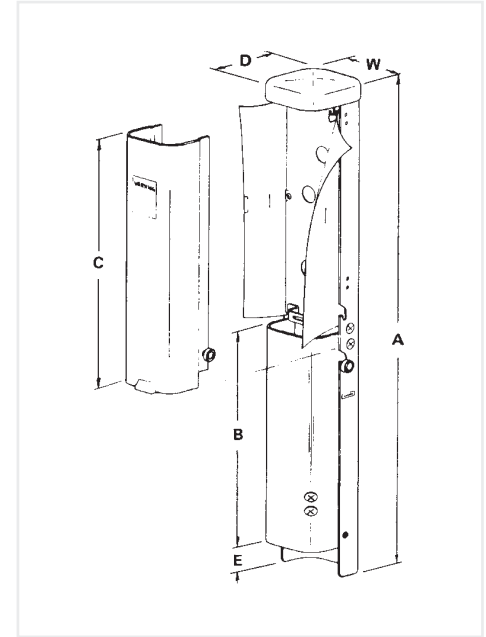
Dimensions

CATALOG NUMBER	A	B	C	D	W	E
CAD4	49-1/2-in.	20-9/16-in.	26-in.	4-7/8-in.	4-7/8-in.	3-in.
CAD6	50-in.	20-9/16-in.	26-in.	6-5/8-in.	6-5/8-in.	3-in.
CAD670	70-in.	38-in.	26-in.	6-5/8-in.	6-5/8-in.	3-in.
CAD8	50-5/16-in.	20-9/16-in.	26-in.	8-1/4-in.	8-1/4-in.	3-in.

RGT & RPT Style Terminal Blocks

CATALOG NUMBER	3-PR.	6-PR.	12-PR.	25-PR.
	382VSR	145	RPT12L/RGT12L	RGT/RPT25
CAD4	4	4	1	0
CAD6	4	4	1	1
CAD8	4	4	2	1

Dimensions



Ordering Information

CATALOG NUMBER	PART NUMBER	DESCRIPTION	SPLICED PAIRS
CAD4	F604500	4-in. gray-green pedestal	150 pair
CAD6	F604510	6-in. gray-green pedestal	400 pair
CAD670	F604515	6-in. gray-green pedestal, 70-in. tall	400 pair
CAD8	F604520	8-in. gray-green pedestal	900 pair

Note 1: Total number of pairs spliced is dependent on connector use and local practices

Note 2: RGT and RPT blocks are grounded through the mounting plate.