

# VERTIV™ BBE SE SERIES

UPC1000LOC, 1248LOC Broadband Edge Enclosures



## KEY FEATURES

- Rugged metal housing made of mill-galvanized steel for durability and low maintenance costs.
- Our unique multi-stage paint process meets or exceeds EPA standards, and provides a tough corrosion resistant finish for longer life.
- Double-access lift-off covers offer 360° access to all internal components.
- Bonding/grounding bar provides positive grounding of all components.
- Adjustable PVC-coated splice bars permit flexibility in dressing cable conductors and splices.
- Close-cell neoprene door gasketing provides weatherproof protection for internal components.
- Removable base cover permits easy cable placement.
- Pad- or stake-mount capability allows installation flexibility for multiple applications.

## Description

UPC1000LOC (LOC refers to Lift-Off Covers) and UPC1248LOC are round-cornered rectangular-design telephone splice or equipment enclosures with lift-off covers, housing up to 1800- or 2400-pair. Internal components include four adjustable PVC-coated splice bars, grounding bar, connector and two mounting stakes.

## Application

The UPC1000LOC and UPC1248LOC enclosures serve as above-ground housings for large PIC or filled cable splices, load coils, and other loop treatment devices. They may also be used to house subscriber carrier units when equipped with accessory brackets.



UPC1248LOC

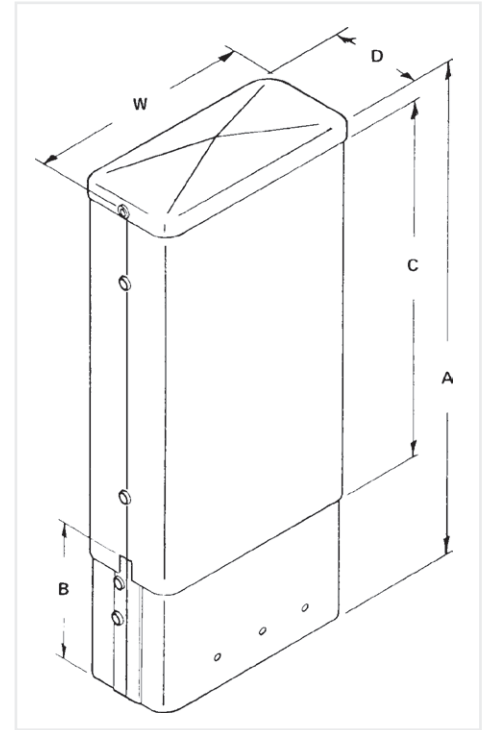
## Dimensions

CATALOG NUMBER	A	B	C	D	W
UPC1000LOC	48 -in.	14 -in.	33 -in.	11-3/8 -in.	16-1/2 -in.
UPC1248LOC	48 -in.	14 -in.	33 -in.	11-3/8 -in.	23-3/4 -in.

## Ordering Information

CATALOG NUMBER	PART NUMBER	DESCRIPTION	SPLICE
UPC1000LOC	F604342	Gray-green UPC1000 with lift-off covers	1800 pair
UPC1248LOC	F604052	ray-green UPC1248 with lift-off covers	2400 pair

NOTE: Total number of pairs spliced are dependent on the connector and local practices.



## Accessories

CATALOG NUMBER	PART NUMBER	DESCRIPTIONV
PADMT100	F605640	Pad-mounting bracket for UPC1000LOC
PADMT200300	F605650	Pad-mounting bracket for UPC1248LOC
HIACT100	F605610	High Activity mounting plate kit for UPC1000LOC
HIACT200	F605620	High Activity mounting plate kit for UPC1248LOC