

VERTIV™ BBE SE SERIES

MB2 Broadband Edge Enclosures



KEY FEATURES

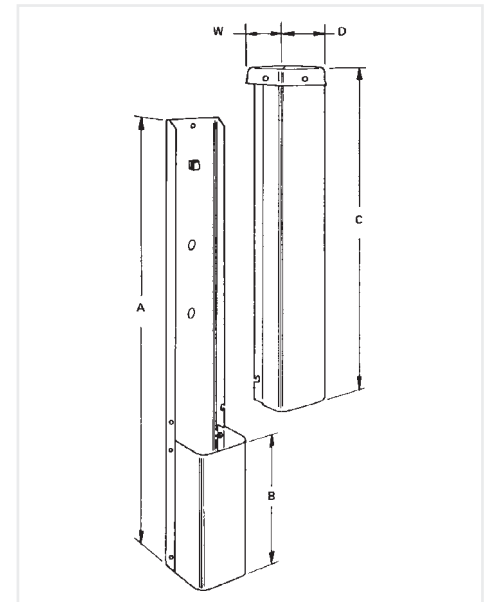
- Self-supporting, stake, joint, pole- or wall-mounted for flexible installation capability.
- Stores short to moderate lengths of buried service wires for an alternative to BWIRE.
- Removable front covers provide total disassembly for ease of installation; allow access to service wires.
- Rugged metal housing made of mill-galvanized steel for durability and low maintenance costs.
- Our unique multi-stage paint process meets or exceeds EPA standards, and provides a tough corrosion resistant finish for longer life.

Description

MB2 is a round-cornered square-design service wire storage enclosure.

Application

MB2 stores short to moderate lengths of buried service wire for total out-of-sight plant. MB2 has provisions for mounting cable tie clips on the backplate to support the service wire loop.



Dimensions

CATALOG NUMBER	A	B	C	D	W
MB2	36-in.	8-in.	28-1/2-in.	4-in.	3-3/4-in.

Ordering Information

CATALOG NUMBER	PART NUMBER	DESCRIPTION
MB2	F602720	4-in. gray-green pedestal

Accessories

CATALOG NUMBER	PART NUMBER	DESCRIPTION
NSH376	F600380	Cable tie clips (100/pkg)