

VERTIV™ BBE SE SERIES

UPC Broadband Edge Enclosures



KEY FEATURES

- Rugged metal housing made of mill-galvanized steel for durability and low maintenance costs.
- Our unique multi-stage paint process meets or exceeds EPA standards, and provides a tough corrosion resistant finish for longer life.
- Double-access hinged/lift-off doors offer easy access.
- Removable base cover provides simplified installation.
- Adjustable PVC-coated splice bars permit flexibility in dressing of conductors and splices.
- Close-cell neoprene door gasketing provides weatherproof protection for internal components.
- Positive action locking mechanism with padlock provisions ensures security from unauthorized entry.
- Pad- or stake-mount capability allows installation flexibility for multiple applications.

Description

UPC1000, UPC1248, UPC1252S, and UPC1278 are round-cornered rectangular-design telephone splice or equipment enclosures. Included in this series are adjustable PVC-coated splice bars, bonding and grounding bracket, and stakes (except in UPC1252S).

Application

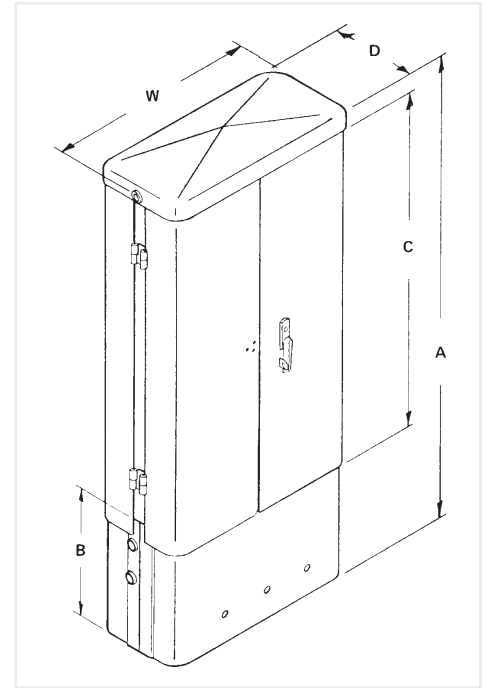
The UPC1000, UPC1248, UPC1252S, and UPC1278 serve as above-ground housings for large PIC cable splices, load coils, and other loop treatment devices.



UPC1248

Dimensions

CATALOG NUMBER	A	B	C	D	W
UPC1000	48-in.	14-in.	33-1/8-in.	11-3/8-in.	16-1/2-in.
UPC1248	48-in.	14-in.	33-1/8-in.	11-3/8-in.	23-3/4-in.
UPC1252S	48-in.	14-in.	33-1/8-in.	11-3/8-in.	23-3/4-in.
UPC1278	60-in.	14-in.	45-in.	11-3/8-in.	23-3/4-in.



Ordering Information

CATALOG NUMBER	PART NUMBER	DESCRIPTION	SPLICE
UPC1000	F604340	Gray-green splice enclosure	1800 pair
UPC1248	F604050	Gray-green splice enclosure	2400 pair
UPC1252S	F604590	Gray-green splice enclosure, stakes not included	2400 pair
UPC1278	F604410	Gray-green splice enclosure	2700 pair

NOTE: Total number of pairs spliced is dependent on the connector and local practices.

Accessories

CATALOG NUMBER	PART NUMBER	DESCRIPTION
PADMT100	F605640	Pad-mounting bracket for UPC1000
PADMT200300	F605650	Pad-mounting bracket for UPC1248, UPC1252S, and UPC1278