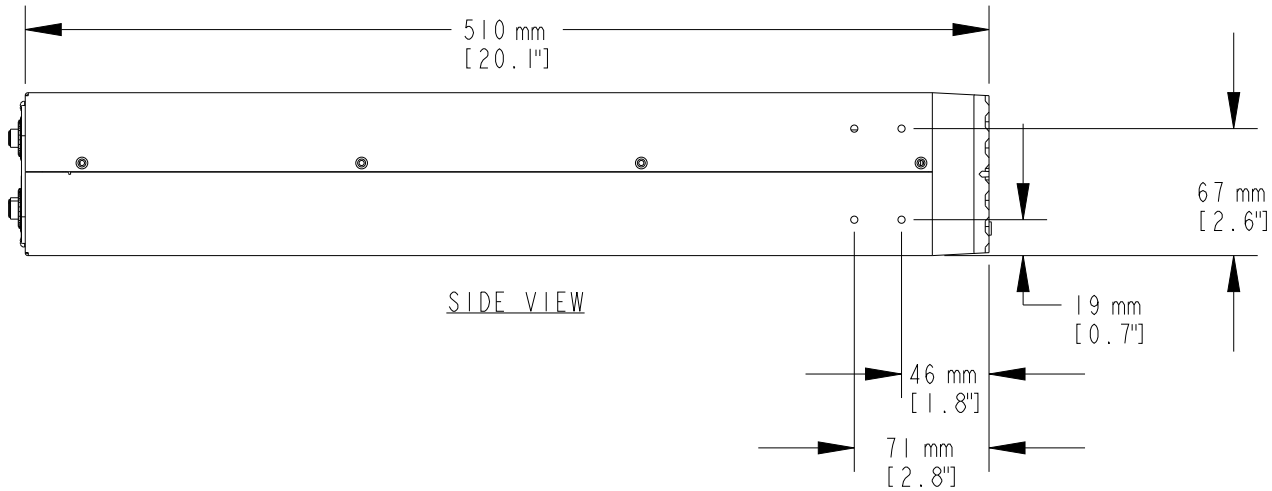


FRONT VIEW

REAR VIEW



SIDE VIEW

- 1 ESC/MUTE BUTTON
- 2 NAVIGATION BUTTONS
- 3 ENTER/POWER BUTTON
- 4 INPUT CIRCUIT BREAKER. 16A
- 5 AC INPUT. C20
- 6 USB COMMUNICATION PORT
- 7 EPO SWITCH
- 8 SNMP INTELLIGENT SLOT. NETWORK COMMUNICATIONS CARD OPTIONAL
- 9 PROGRAMMABLE OUTPUT RECEPTACLES. C13
- 10 NON-PROGRAMMABLE OUTPUT RECEPTACLES. C13
- 11 NON-PROGRAMMABLE OUTPUT RECEPTACLE. C19
- 12 OUTPUT CIRCUIT BREAKERS. 10A

1. UNIT DIMENSIONS (WxDxH): 438mm x 510m x 86mm (2U)
(17.2" x 20.1" x 3.4")
2. UNIT WEIGHT: 17.5kg (38.6lbs)
3. SHIPPING DIMENSIONS (WxDxH): 565mm x 700mm x 240mm
(22.2" x 27.6" x 9.4")
4. SHIPPING WEIGHT: 25.2kg (55.6lbs)
5. MINIMUM AIRFLOW CLEARANCE IS 4.0" (100mm)
FRONT AND REAR.

SHEET NO. 1 OF 1	DRAWN BY: DARIO A.
CO. NO. -	DESIGNED BY: -
REF DWG. -	APPROVED BY: NATHAN S.

© 2020 VERTIV GROUP CORPORATION CONFIDENTIAL AND PROPRIETARY. ALL RIGHTS RESERVED. VERTIV AND THE VERTIV LOGO ARE TRADEMARKS OR REGISTERED TRADEMARKS OF VERTIV GROUP CORPORATION. THIS DOCUMENT (AND THE INFORMATION IT CONTAINS) ARE THE PROPERTY OF VERTIV GROUP CORPORATION BY ACCEPTING IT INTO YOUR POSSESSION, YOU AGREE THAT YOU WILL KEEP THIS DOCUMENT AND ALL INFORMATION CONTAINED HEREIN IN STRICTEST CONFIDENCE AND WILL NOT COPY, RE TRANSMIT, USE (EXCEPT SOLELY FOR THE BENEFIT OF VERTIV GROUP CORPORATION), SELL, LEND, OR OTHERWISE DISPOSE OF SAME, DIRECTLY OR INDIRECTLY, WITHOUT THE EXPRESS WRITTEN PERMISSION OF VERTIV GROUP CORPORATION. AND THIS DOCUMENT SHALL BE RETURNED TO VERTIV GROUP CORPORATION IMMEDIATELY UPON REQUEST.

TITLE
OUTLINE DRAWING
EDGE LI-ION 2.2KVA
230VAC RACK UPS

DWG. NO. EDGE.LI.2200VA20210528
DATE (LATEST REV.) 6/4/2021
REVISION 0
1050 DEARBORN DR P.O. BOX 29186 COLUMBUS, OH 43229

