

# *Nfinity*<sup>™</sup> Module Replacement



# NFINITY MODULE REPLACEMENT

Before installing a Power Module that will *increase* the rating of the Nfinity UPS (e.g., from 8kVA to 12kVA), ensure that the input cabling and circuit breaker protection is correctly sized to the minimum input protection circuit breaker by referring to the tables below.

## 1. Stand-alone UPS or

## 2. UPS equipped with a Maintenance Bypass Cabinet (Without Transformer)

Max. System Load Rating	Input Voltage – 208VAC		Input Voltage – 240VAC	
	Max. Current in UPS mode	Min. Input Protection Circuit Breaker	Max. Current in UPS mode	Min. Input Protection Circuit Breaker
8kVA	36 amps	50 amps	31 amps	50 amps
12kVA	53 amps	75 amps	46 amps	75 amps
16kVA	70 amps	100 amps	62 amps	90 amps
Terminal Block Details	Maximum: 35mm <sup>2</sup> (2AWG) Minimum: 16mm <sup>2</sup> (6AWG) Torque Rating: 2.5-3.0Nm (22-26in/lbs)			

## UPS With Maintenance Bypass Cabinet (With Transformer)

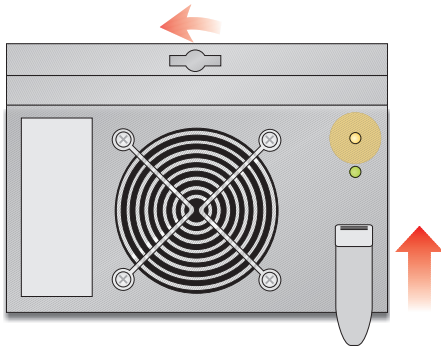
**Single Input Feed: All UPS ratings must use 100A input circuit breaker protection**

**Dual Input Feed: See table below**

Max. System Load Rating	UPS Feed				Bypass Feed
	Input Voltage – 208VAC		Input Voltage – 240VAC		208V or 240V
	Max. Current in UPS mode	Min. Input Protection Circuit Breaker	Max. Current in UPS mode	Min. Input Protection Circuit Breaker	Min. Input Protection Circuit Breaker
8kVA	36 amps	50 amps	31 amps	50 amps	100 amps
12kVA	53 amps	75 amps	46 amps	75 amps	100 amps
16kVA	70 amps	100 amps	62 amps	90 amps	100 amps
Terminal Block Details	Maximum: 35mm <sup>2</sup> (2 AWG) Minimum: 16mm <sup>2</sup> (6 AWG) Torque Rating: 2.5-3.0Nm (22-26in/lbs)				

# Removing Modules

1. Remove bezel cover of appropriate module. When replacing a Power or Battery Module, verify the faulty module by confirming the amber LED is lit.
2. If removing a Control or Power Module with no redundant modules, switch UPS to manual bypass.
3. Pull out and lift the lever if replacing a Control or Power Module, then turn fastener counterclockwise until it is loosened.



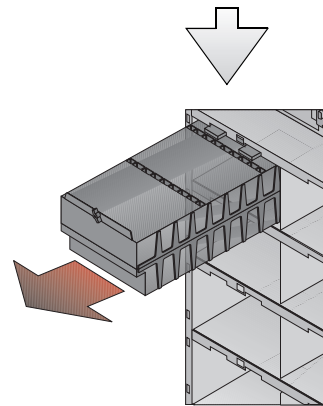
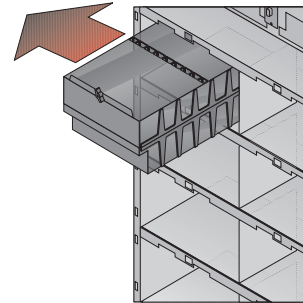
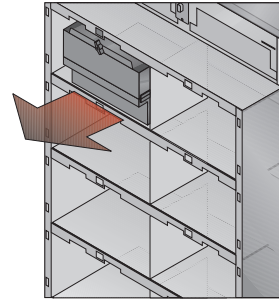
4. Start to pull out module. About 2/3 out it will stop. Slide module away from the center of the UPS. Continue to pull until module is removed (seen at right).

## CAUTION

Battery Modules are heavy—30 kg (66 lb). Make sure to use two people when removing a Battery Module.

5. Dispose of module in an environmentally responsible way that complies with local codes / regulations or return to Liebert for proper disposal.

**Note:** Battery Modules may contain shipping screws. These screws may be removed and discarded.

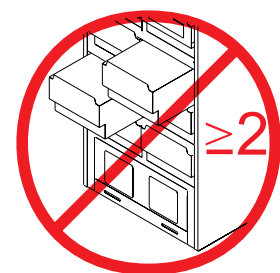
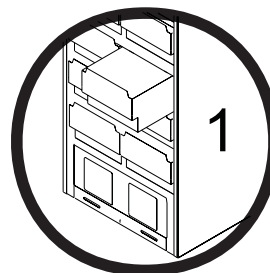


## WARNING



### POTENTIAL TIP HAZARD

Install all modules starting from bottom to top bays. For module removal start from top to bottom bays. Do not remove more than one module at a time. Failure to do so may cause unit to tip over and cause serious injury.

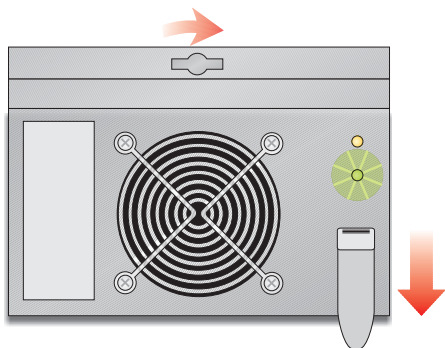


## Adding or Replacing Modules

### NOTE

Power Modules must be installed in a bay in the top half of the *Nfinity* frame. Battery Modules can be installed in any bay of the UPS frame.

1. Lift module to appropriate bay, resting end of module on bay shelf. Use caution not to rest the module on the lower bezel cover.
2. Push module into bay. Once halfway in, slide module sideways toward the center of the UPS. Continue pushing module until fully inserted.



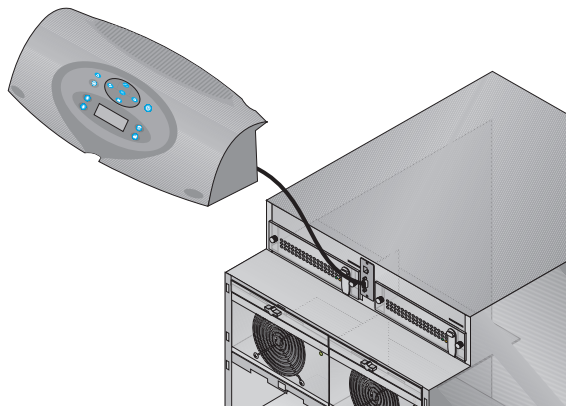
3. Press and turn fastener clockwise until locked. If replacing a Control or Power Module, press lever down.
4. Wait about 15 seconds as the module performs a start-up test and synchronizes with the other modules. Both the amber and green LEDs should be flashing. A green flashing LED will then confirm the module is properly installed.
5. If UPS was placed in bypass manually, transfer back to UPS operation.
6. Replace bezels.

### NOTE

When replacing the Control Module, record user configuration data before removing. Re-verify the configuration settings after the new Control Module is installed.

## Replacing the User Interface

1. Lift off user interface and set it on top of the UPS frame.
2. The attached cable will be connected to an Intellislot card, found in a port between the control modules.



3. Remove the cable and the attached Intellislot card from the UPS.
4. Plug the new Intellislot card into the UPS.
5. Plug the new user interface cable into the Intellislot card.
6. Set replacement User Interface into proper position.

## Technical Support

U.S.A. Technical Support	1-800-LIEBERT
Worldwide FAX Tech Support	+614-841-5471
Wordwide Support	+614-841-6755
E-mail	upstech@liebert.com
Web Site	<a href="http://www.liebert.com">http://www.liebert.com</a>

SL-23952  
(11/01) Rev. 1