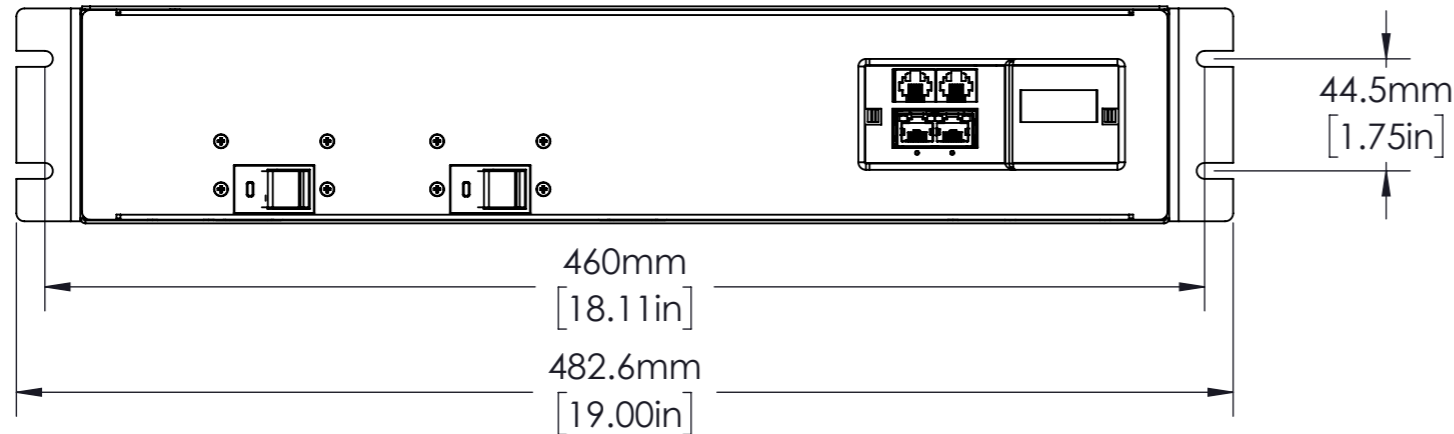


Disclosure and photocopying of this document, exploitation and communication of its contents are not permitted, unless permission is expressly granted. All rights are reserved.

Weitergabe sowie Vervielfältigung dieser Unterlage, Verwertung und Mitteilung ihres Inhalts nicht gestattet, soweit nicht ausdrücklich zugestanden. Alle Rechte vorbehalten.

### FRONT VIEW



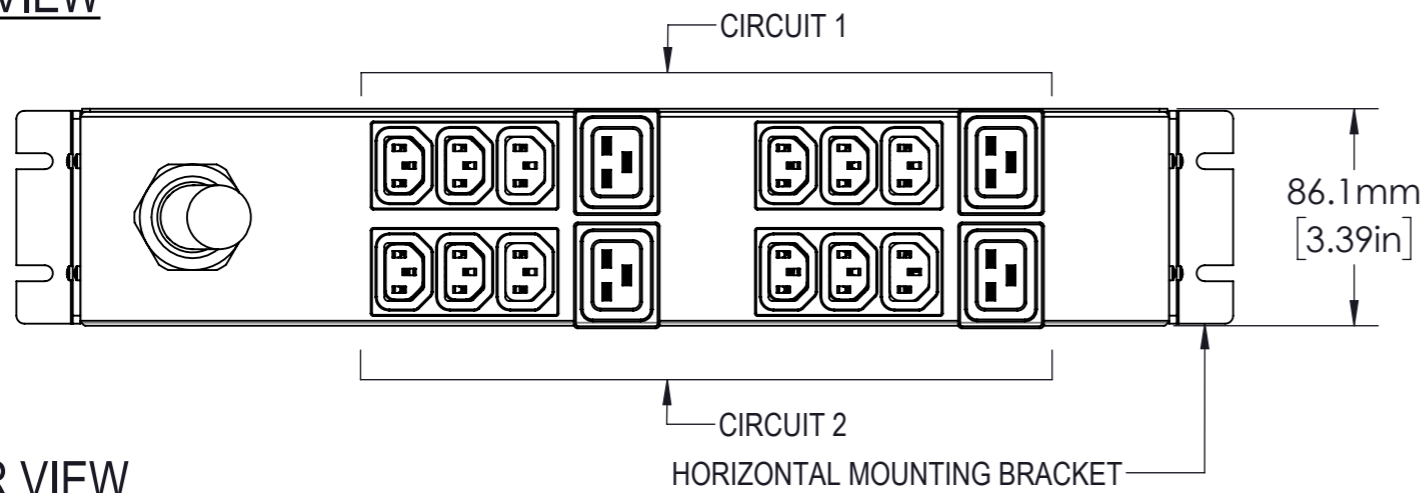
### OUTPUT POWER

| CIRCUIT | PHASE | RECEPTACLE TYPE (QUANTITY) | VOLTAGE (V) | MAX. CONTINUOUS AMPS (A) |             |
|---------|-------|----------------------------|-------------|--------------------------|-------------|
|         |       |                            |             | PER RECEPTACLE           | PER CIRCUIT |
| 1       | L1-L2 | 6xC13, 2xC19               | 200-240     | 12/16                    | 16          |
| 2       | L1-L2 | 6xC13, 2xC19               | 200-240     | 12/16                    | 16          |

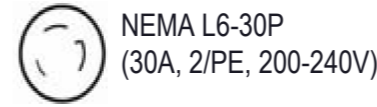
### INPUT POWER

| INPUT CORD | INPUT PLUG  | WIRE COUNT | FREQUENCY (Hz) | VOLTAGE (V) | RATED AMPS (A) | MAX. CONT. AMPS (A) |
|------------|-------------|------------|----------------|-------------|----------------|---------------------|
| 10 FT      | NEMA L6-30P | 2/PE       | 50/60 Hz       | 200-240V    | 30             | 24                  |

### REAR VIEW



| METERING PARAMETER | MEASUREMENT ACCURACY          |
|--------------------|-------------------------------|
| VOLTAGE            | ±1%                           |
| CURRENT            | ±1% - Input Current           |
|                    | ±2% - Circuit/Breaker Current |

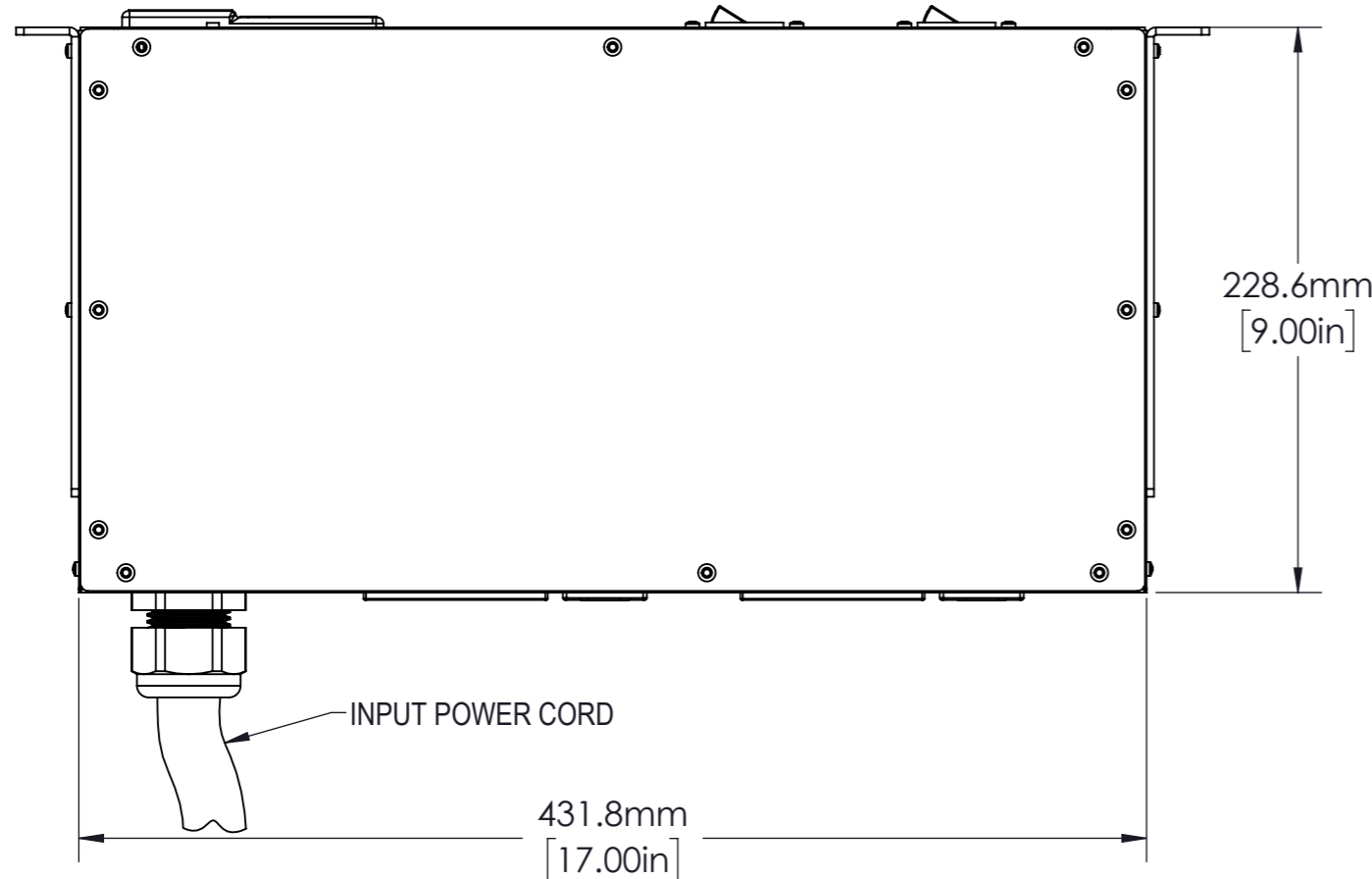


AGENCY COMPLIANCE:  
 UL & c-UL Listed 60950  
 RoHS Compliant  
 FCC Part 15 Class A Conformance

ENVIRONMENTAL RATING:  
 Maximum Operating Temperature: 60C / 140F

NOTES  
 UNIT DIMENSIONS: 3.39in x 17in x 9in / 86mm x 432mm x 229mm  
 SHIPPED WEIGHT: 17lbs (7.71kg)  
 SHIPPING DIMENSIONS: 23in x 15in x 7in / 566mm x 381mm x 166mm  
 19in Recess Mount

### UPPER VIEW



|                |   |        |                      |  |                        |
|----------------|---|--------|----------------------|--|------------------------|
|                | Allgemeintoleranzen<br>General tolerances |        | Oberfläche<br>Finish | Werkstoff / Material                             | Gewicht:<br>Weight: -  |
|                | -   |        | -                    | -  | -                      |
| Date           |   | Name   |                      | Bezeichnung / Description                        |                        |
| Drawn 20/06/18 |   | SW     |                      | Monitored, Horizontal, 30A, 208V, (12)C13/(4)C19 |                        |
| Checked -      |   | -      |                      | Zeichnungs-Nr. / Drawing no.                     |                        |
| Approved -     |   | -      |                      | VP7811B  |                        |
| Rev.           |   | Change | Date                 | Name   | Verwendet in / Used in |
| -              | -   | -      | -                    | -  | -                      |
|                |   |        |                      |  | Maßstab<br>Scale       |
|                |   |        |                      |  | 1:3                    |
|                |   |        |                      |  | Blatt/Sheet            |
|                |   |        |                      |  | 1/1                    |