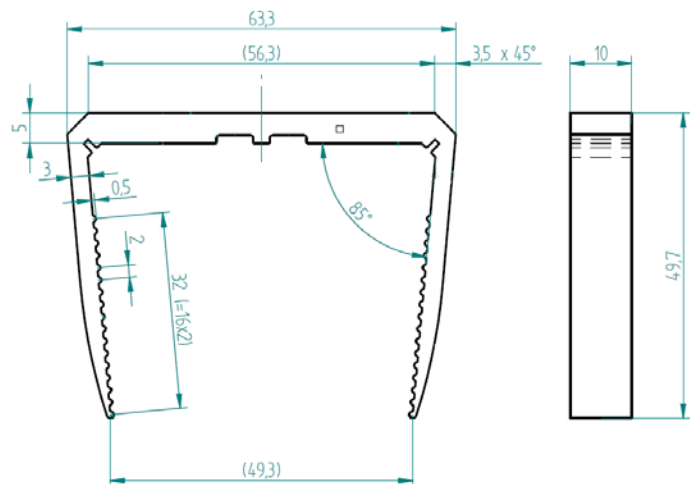




Identifier color clamps for MPH2 and MPE PDUs



In order to identify to which power feed a PDU is connected, color clamps can be ordered. Additionally these clamps can be used to distinguish branches and phases of the PDU. Clamps clip over the body of a PDU (MPH2 or MPE).

Technical specifications

Material: ABS

Temperature range: -20 °C – 60 °C

Available colors: Blue, red, yellow, green, orange

RoHS compliant

Order number	Color	Number of pieces in bag
03.951.476.0.001	Blue	20
03.951.476.0.002	Red	20
03.951.476.0.003	Yellow	20
03.951.476.0.004	Green	20
03.951.476.0.005	Orange	20

