

Vertiv™ BBE OPFO Series

OPFOBD7 Broadband Edge Enclosures



Key Features

- Accommodates most splice closures for installation flexibility
- Large capacity is ideal for high-density cable runs
- Hinged, removable front doors and removable cap provide easy access to equipment and cable
- Grounding system provides positive grounding of all components
- Stake or pad mountable fits a wide variety of applications
- Cable management posts provide excess cable storage capability
- Closed-cell weather-stripped door edges protect all equipment from the weather
- Positive-action three-point lock offers security from unauthorized entry
- Rugged metal housing made of mill-galvanized steel for durability and low maintenance costs
- Our unique multi-stage paint process meets or exceeds standards, and provides a tough corrosion-resistant finish for longer life
- Meets or exceeds RUS requirements

Description

The Vertiv™ BBE OPFO Series is a large capacity weather-resistant cabinet designed to protect fiber optic splices in buried distribution systems. The Vertiv BBE OPFO Series' universal mounting strap accommodates most splicing closures. The fiber splice capacity is limited only by the size of the splice enclosure. Cable management posts allow storage of up to 150 feet (50 meters) of outside plant cable. A ground bar, weather-stripping, and mounting hardware are included for both aerial or buried distribution closures.

Buried distribution can be accomplished in three different ways: stake mounted, recessed mounted or surface pad-mounted. The standard OPFOBD7 includes stakes.

To surface pad mount, use the PADMT200300 kit with two brackets that can be attached either inside or outside of the base. This kit is not included and must be ordered separately.

Application

The OPFOBD7 serves as an above-grade housing for the storage and security of fiber optic splice closures and excess outside plant fiber optic cables.



Dimensions Pad-Mount OPFOBD7

A	B	C	D	W
54.75-in.	14-in.	40-in.	11.38-in.	23.75-in.

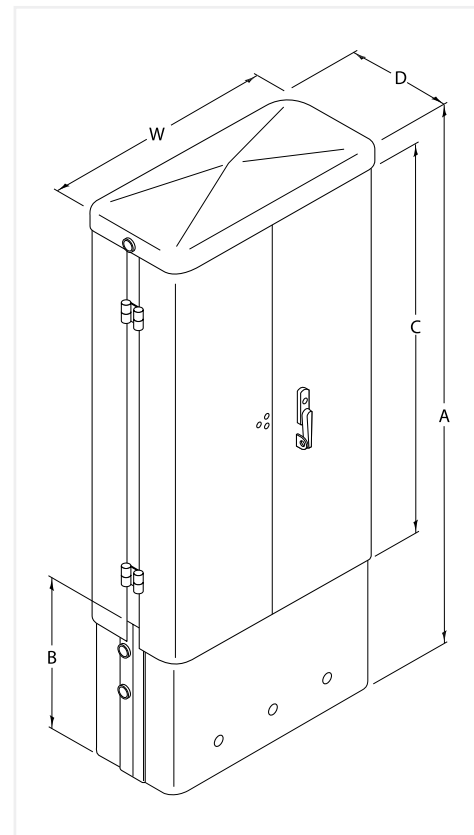
Ordering Information

Catalog Number	Part Number	Description
OPFOBD7	F112503	Buried pad-mount splice cabinet, with two stakes (MS1342)

NOTE: The Vertiv™ BBE OPFO Series is compatible with with many industry standard splice closures, including, AT&T® UCB1/2500/2600, Siecor SC5-002, AMP 501346-1 (OPFOBD7 only), 3M 2177, Preformed Line Cases (6.5-in.), and Raychem 100D.

Accessories

Catalog Number	Part Number	Description
PADMT200300	F605650	Surface mounting kit with two brackets for inside or outside mounting



OPFOBD7