

VERTIV™ BBE TV SERIES

TV1600, 2400, 2500 Broadband Edge Enclosures



KEY FEATURES

- Round-cornered rectangular-design housing provides large capacity; maximum work area to install and maintain CATV distribution equipment.
- Louvers with Mylar screen provide superior cross-ventilation.
- Hinged swing-open removable front and rear doors with removable top cap provide 360° accessibility.
- Positive locking secures the doors at the top and bottom with provisions for padlocks to prevent unauthorized entry and provide added security.
- Closed-cell weather stripping lines all door edges for weatherproof protection.
- Two cross-slot mounting plates provide internal mounting versatility.
- Our unique multistage gray-green finishing process meets or exceeds EPA standards, and provides a tough corrosion-resistant finish for longer life.

Description

The Vertiv™ BBE TV Series Enclosures are round-cornered rectangular-design above-ground housings that provide maximum capacity and work area to install and maintain CATV distribution equipment. Enclosures are manufactured of heavy gauge mill-galvanized steel, treated with a unique finishing process for longer life. The housing components are: cap, front and back hinged doors, base, and base/column assembly. Internal components include two cross-slot mounting plates. Two mounting . mounting stakes are also supplied.

Louvers on the doors provide cross-ventilation to cool internal equipment. Self-locking stainless-steel latches on the front and back have padlock hasps to offer several security options.

Application

The TV1600, TV2400 and TV2500 serve as above-ground housings for distribution, line support, and power CATV equipment, including amplifiers, line extenders, couplers, splitters, and taps.



TV1600

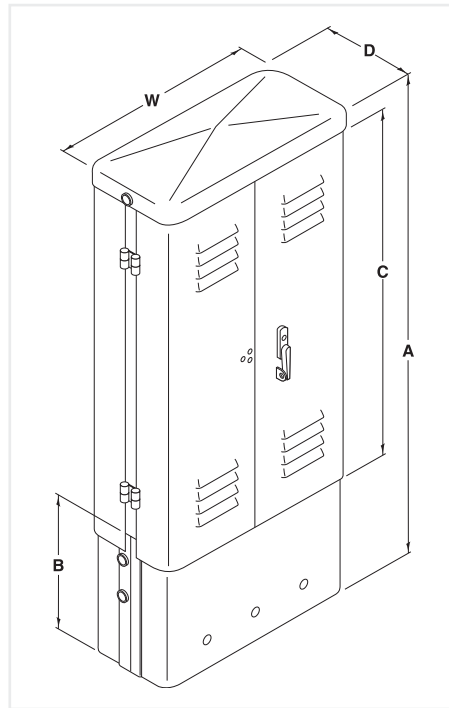
Dimensions and Ordering Information

| CATALOG NUMBER | PART NUMBER | A | B | C | D | W |
|----------------|-------------|------------|--------|------------|------------|------------|
| TV1600 | F604690 | 47-1/2-in. | 14-in. | 32-in. | 10-3/4-in. | 16-1/4-in. |
| TV2400 | F604550 | 47-1/2-in. | 14-in. | 32-in. | 10-3/4-in. | 23-3/4-in. |
| TV2500 | F604552 | 49-1/2-in. | 14-in. | 33-1/4-in. | 12-in. | 28-in. |

NOTE: All units are equipped with factory-installed mounting brackets, two. mounting stakes, and hardware.



TV2400



TV2500