

VERTIV™ BBE SE SERIES

UPC1850 Broadband Edge Enclosures



KEY FEATURES

- Rugged metal housing made of mill-galvanized steel for durability and low maintenance costs
- Our unique multi-stage paint process meets or exceeds EPA standards, and provides a tough corrosion resistant finish for longer life
- Double-access hinged doors offer easy access to all conductors
- Removable base cover provides simplified installation
- Adjustable splice bars permit flexibility in dressing of conductors and splices
- Close-cell neoprene door gasketing provides weatherproof protection for internal components
- Positive action locking mechanism with padlock provision ensures security from unauthorized entry
- Built-in pad-mounting capability in the base allows installation flexibility for multiple applications
- Meets or exceeds RUS requirements

Description

The UPC1850 is a round-cornered rectangular-design copper/fiber splice or equipment enclosure for high pair-count splices, cross-connect interface, fiber/coaxial equipment, loop treatment electronics, and combined connection applications. This unit includes adjustable splice bars, two bonding and grounding bars, and pad-mounting hardware. Brackets for pad mounting are built into the front and the rear bases. Although pad mounting is recommended, stake-mounting holes are also provided.

Application

The UPC1850 serves as above-ground housing for large PIC cable splices, load coils, loop treatment devices, cross-connects, and combined connection applications. The UPC1850 closure can also be used to house most fiber splice enclosures. By removing the metal splice bars, ample space for fiber slack storage is available.



Dimensions*

CATALOG NUMBER	A	B	C	D	W
UPC1850	50-in.	14-in.	34-in.	18-in.	32-in.

* Thirty-five mounting locations on the vertical columns are spaced 1-in. apart, for use with 1/4-14" x 1/2" long self-threading hardware. The distance between the left and right column hole centers is 29.90-in.

Ordering Information

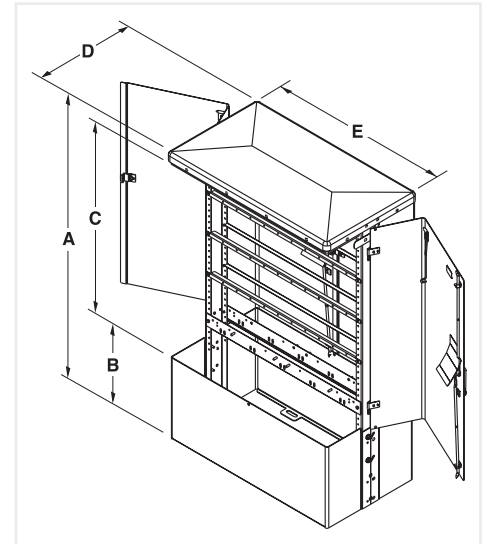
CATALOG NUMBER	PART NUMBER	DESCRIPTION	SPLICED PAIRS
UPC1850	F604056	Gray-green splice enclosure	7200 pair

NOTE: Total number of pairs spliced is dependent on the connector and local practices.

Accessories

CATALOG NUMBER	PART NUMBER	DESCRIPTION
MS1342	F604080	42-in. mounting stake, 10/pkg.**

** Use when pad mounting is not desirable.



UPC1850



UPC1850
(front and rear doors open)