

VERTIV™ BBE SE SERIES

UP1652 Broadband Edge Enclosures



KEY FEATURES

- Lift-off back and front covers offer 360° easy access to internal components.
- Adjustable splice bars permit flexibility in dressing cable conductor splices.
- Two-way bonding/grounding bracket provides positive grounding of all components.
- Rugged metal housing made of mill-galvanized steel for durability and low maintenance costs.
- Our unique multi-stage paint process meets or exceeds EPA standards, and provides a tough corrosion-resistant finish for longer life.

Description

The UP1652 is a round-cornered square-design telephone equipment splice enclosure. The UP1652 (16"W x 52"H) enclosure includes two splice support bars and a bonding and grounding bracket assembly. Two mounting stakes are also included.

Application

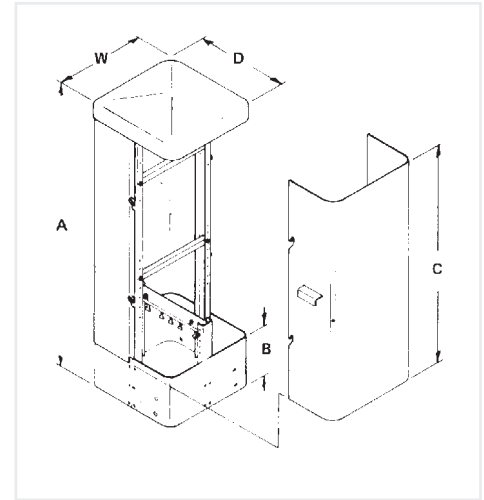
The UP1652 enclosure serves as an above-ground housing for splices and splice cases, up to 13 inches in diameter and 30 inches in height. The UP1652 also accommodates T1 trunk carrier repeater cases and 2-type splice case.



Specifications

CATALOG NUMBER	SPLICES USING ANY CONNECTOR	SPLICE CASE/ LEAD SLEEVE CAPACITY	
		DIAMETER	HEIGHT
UP1652	1500 pair	13 in.	30 in.

NOTE: Total number of pairs spliced are dependent on connector use and local practices.



Dimensions

CATALOG NUMBER	A	B	C	D	W
UP1652	52-1/4-in.	10-in.	42-in.	16-1/4 -in.	16-1/4 -in.

Ordering Information

CATALOG NUMBER	PART NUMBER	DESCRIPTION
UP1652	F602940	16-in. gray-green pedestal

Accessories

CATALOG NUMBER	PART NUMBER	DESCRIPTION
MS1342	F604080	Mounting stakes, 10/pkg