



Vertiv™ Geist™ Rack Transfer Switch

Ultimate Reliability in
Mission-Critical Power

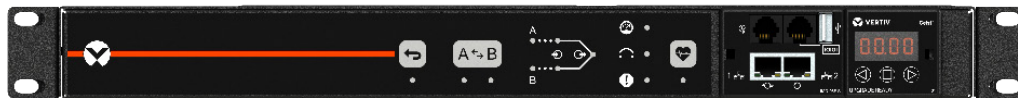


Vertiv™ Geist™ Rack Transfer Switch

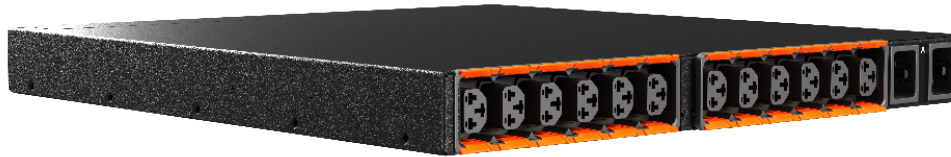
Safeguard Your Critical IT Infrastructure in the Event of a Power Failure.

The Vertiv™ Geist™ Rack Transfer Switch delivers redundant power to single corded devices. Two independent power inputs enables users to connect to a primary and secondary power source. The Geist™ Rack Transfer Switch automatically detects the loss of power and switches the power load to the alternative power source in less than 4-8 milliseconds without the need for human intervention. This ensures equipment remains powered until the primary power source returns providing ultimate mission-critical power reliability.

The Rack Transfer Switch is an open transition switch utilizing a break-before-make process for transferring between the primary and secondary power source. This method of switching does not require phase synchronization between the two power feeds making it suitable for use in both data center and edge locations. It also includes enhanced redundant switches and fail-safe fused thermistors to mitigate current surge during transfers ensuring critical equipment is protected during fail-over.



Front view



Rear view

The Vertiv Geist Rack Transfer Switch provides the widest range of configuration options to support redundancy strategies in most data center and edge applications.

Upgradeable Technology

The Rack Transfer Switch utilizes the evolutionary upgradeable technology used in the Vertiv™ rack PDUs. It provides users with the flexibility to install the intelligence they require today, with the option to upgrade technology as needs evolve. From basic power to power monitoring, the Geist™ Upgradeable product line adapts to your business well into the future.

Enhanced Intelligence

Intelligent models provide a comprehensive view of critical IT equipment power usage at the rack or via remote access. Set user-defined thresholds to receive notifications when power and environmental conditions fall outside the desired range. Outlet level monitored units provide a granular view of equipment power usage, and Switched models enable users to turn-on, turn-off, or reboot individual outlets.

Available in a variety of single phase electrical and receptacle configurations with different intelligence options.

At A Glance

Intelligence Type

- Basic Upgradable
- Unit Level Monitored
- Outlet Level Monitored
- Switched Unit Level Monitored
- Switched Outlet Level Monitored

Rack Mount Configuration

- 1U and 2U Horizontal

Global Compliance

- UL Listed and CE Marked

Voltage Range

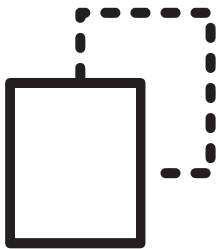
- 100-240V

Amperage Range

- 10A, 15A, 16A, 20A, 30A, and 32A

Receptacle Type

- Combination C13/C19, U-Lock C13, NEMA 5-15R and NEMA 5-20R
- L6-30C and IEC 2P+E IP44



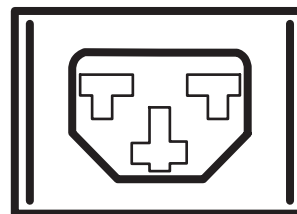
Easy to Use Front Panel Interface

The front panel interface provides visual identification of the active power source and allows users to do a manual transfer to the secondary power source remotely or with the touch of a button to perform equipment maintenance.



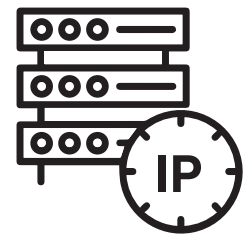
<4-8ms Transfer Speed

When power is lost on the primary source, the Geist™ Rack Transfer Switch transfers to the backup or secondary source in under 4-8 milliseconds to ensure critical IT equipment continues to receive power during a power outage.



Combination Outlet C13/C19

Select models come equipped with the Combination Outlet C13/C19 accommodating either a C14 or C20 power cable in the same outlet without the need for an adapter. The 2-in-1 outlet simplifies the buying process and offers greater flexibility to accommodate ever-changing rack power requirements.



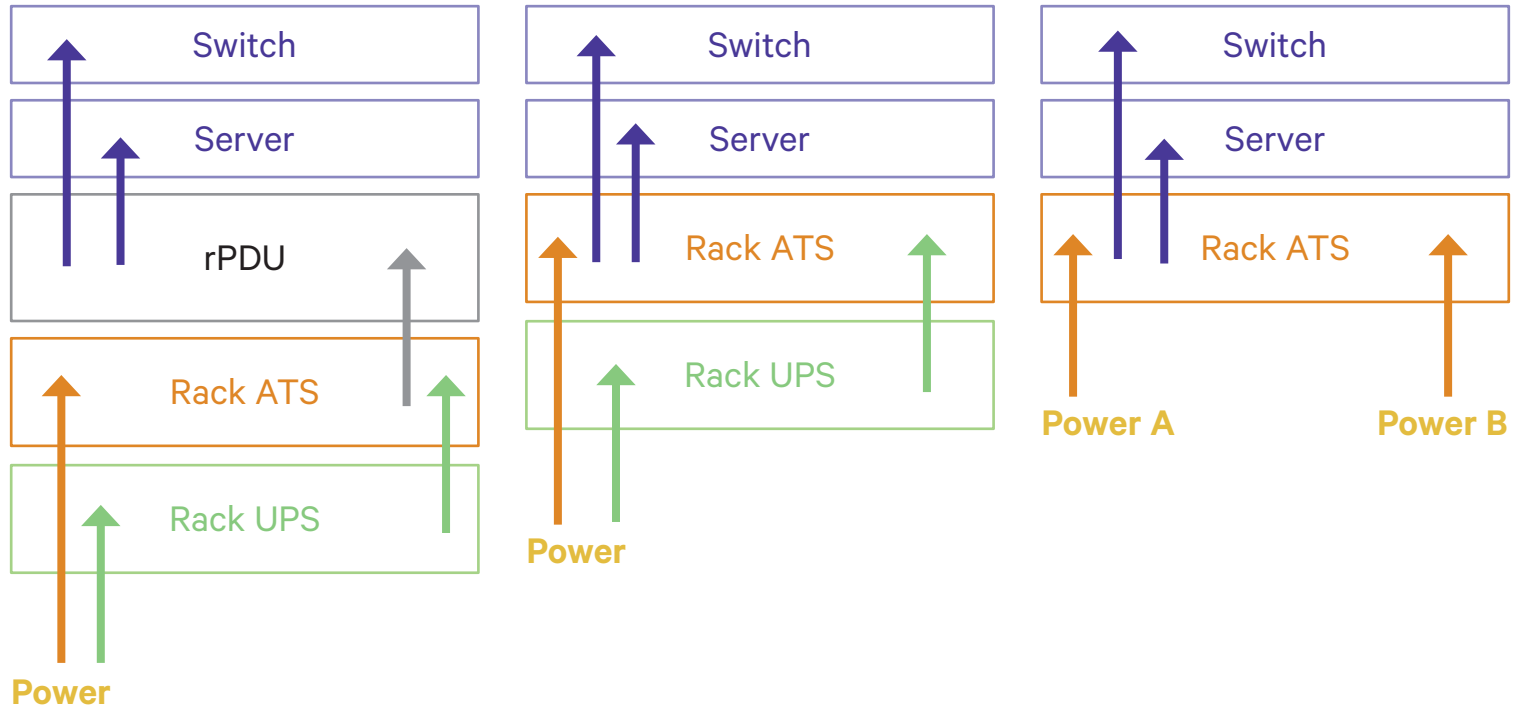
Vertiv™ Intelligence Director

Streamline deployment with IP aggregation of up to 50 supported Vertiv devices on a single IP address with self-configuration of downstream devices.

Vertiv™ Geist™ Rack Transfer Switch

Typical Configuration Diagrams

The Rack Transfer Switch offers ultimate deployment flexibility. Here are three common rack configurations to incorporate the Rack Transfer Switch into critical infrastructure.



Technical Specification

Model	Type	Mounting U-Space	Nominal Voltage	Amps	Input Plug Type	Input Cord Length	Receptacles Quantity	Receptacles Type	Max Operating Temp
VA1U1100	Basic Upgradeable	1U	100-240V	10A	(2) C14	N.A	10 x C13	U-Lock	60°C
VA1U2100	Basic Upgradeable	1U	100-240V	16A	(2) C20	N.A	12 x Combination C13/C19	High-Retention & P-Lock*	60°C
VA1G8100	Basic Upgradeable	1U	200-240V	16A	(2) IEC60309 1P+N+E	3.0 m	12 x Combination C13/C19	High-Retention & P-Lock*	60°C
VA1G9100	Basic Upgradeable	1U	200-240V	32A	(2) IEC60309 1P+N+E	3.0 m	12 x Combination C13/C19	High-Retention & P-Lock*	60°C
VA1G9200	Basic Upgradeable	2U	200-240V	32A	(2) IEC60309 1P+N+E	3.0 m	24 x Combination C13/C19	High-Retention & P-Lock*	60°C
VA4U1100	Monitored Unit Level	1U	100-240V	10A	(2) C14	N.A	10 x C13	U-Lock	60°C
VA4U2100	Monitored Unit Level	1U	100-240V	16A	(2) C20	N.A	12 x Combination C13/C19	High-Retention & P-Lock*	60°C
VA4G8100	Monitored Unit Level	1U	200-240V	16A	(2) IEC60309 1P+N+E	3.0 m	12 x Combination C13/C19	High-Retention & P-Lock*	60°C
VA4G9101	Monitored Unit Level	1U	200-240V	32A	(2) IEC60309 1P+N+E	3.0 m	1 x IEC60309 IP+N+E	IEC60309	60°C
VA4G9100	Monitored Unit Level	1U	200-240V	32A	(2) IEC60309 1P+N+E	3.0 m	12 x Combination C13/C19	High-Retention & P-Lock*	60°C
VA4G9200	Monitored Unit Level	2U	200-240V	32A	(2) IEC60309 1P+N+E	3.0 m	24 x Combination C13/C19	High-Retention & P-Lock*	60°C



Vertiv.com | Vertiv Headquarters, 1050 Dearborn Drive, Columbus, OH, 43085, USA

© 2022 Vertiv Group Corp. All rights reserved. Vertiv™ and the Vertiv logo are trademarks or registered trademarks of Vertiv Group Corp. All other names and logos referred to are trade names, trademarks or registered trademarks of their respective owners. While every precaution has been taken to ensure accuracy and completeness here, Vertiv Group Corp. assumes no responsibility, and disclaims all liability, for damages resulting from use of this information or for any errors or omissions. Specifications, rebates and other promotional offers are subject to change at Vertiv's sole discretion upon notice.