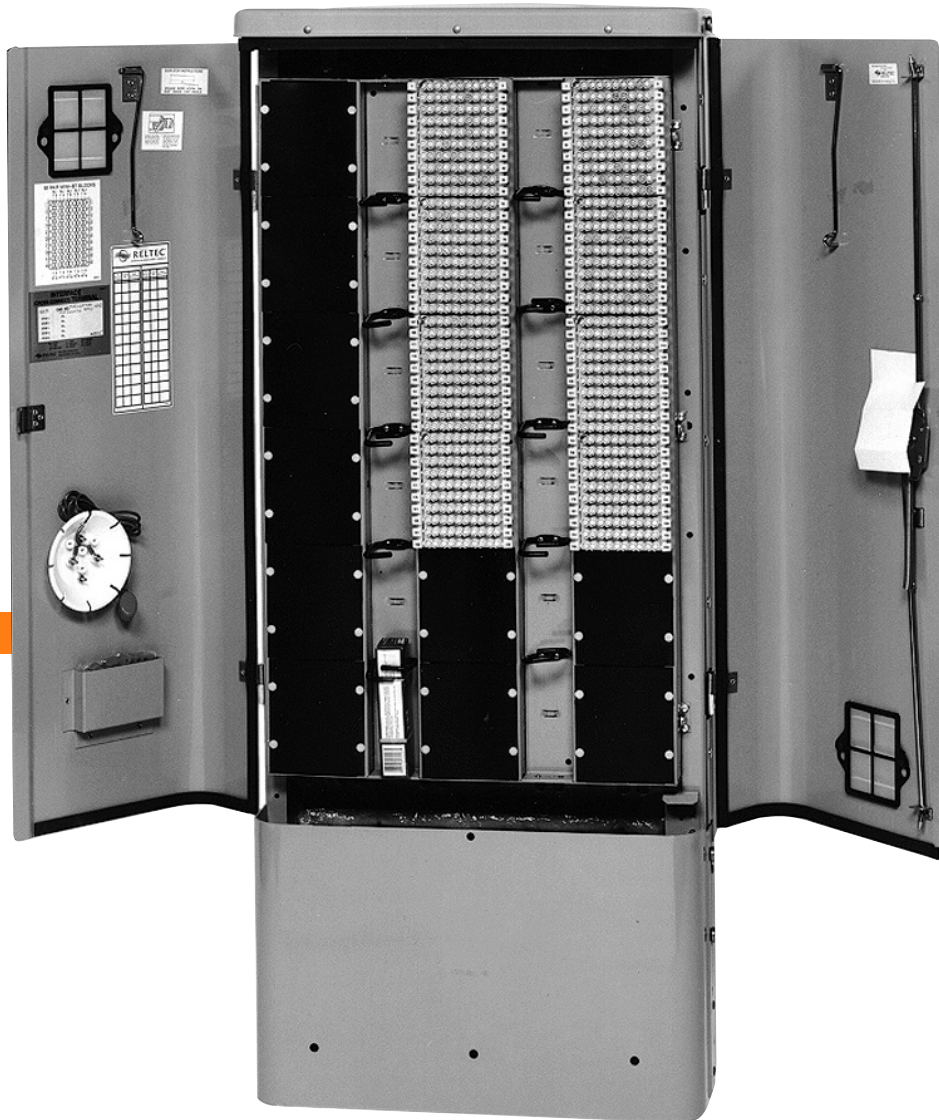




Vertiv™ CXE Series Ordering Guide

Cross Connect Enclosures

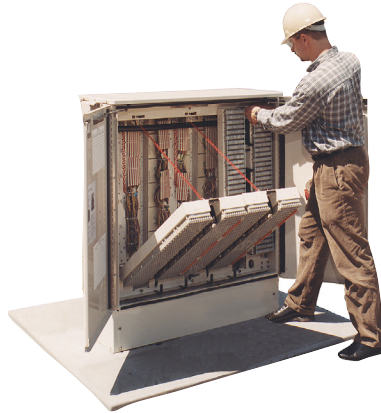


Vertiv™ CXE Series Ordering Guide

Description

Cross-connect cabinets and pedestals allow for termination of and cross-connection between cabling elements. Vertiv offers a variety of solutions to meet the specifications and capacity requirements of a wide range of applications.

Vertiv™ CXE cross-connect enclosures from Vertiv are available in multiple styles and sizes. These enclosures are designed to withstand harsh outdoor environments and can be pad, pole or stake mounted. Accommodating pair count ranges from 100 to 8100, there is sure to be a Vertiv™ CXE solution to meet your application needs.



Vertiv™ CXE UCX Series



Vertiv™ CXE UNX Series



Vertiv™ CXE AEX Series



Vertiv™ CXE LCX Swing-Out Series

Ordering Guide Overview

Vertiv CXE UCX Series	3
Vertiv CXE UNX Series	8
Vertiv CXE AEX Series	10
Vertiv CXE LCX Series, Swing Out	12
Accessories	13
Mounting Templates	14
Dimensions & Door Swing Diagrams	16
Block Layouts	21

Note 1: Click on the step above to jump to that page.

Note 2: To return to the Ordering Guide Overview, click on the header of any page.

Vertiv™ CXE UCX Series

Description

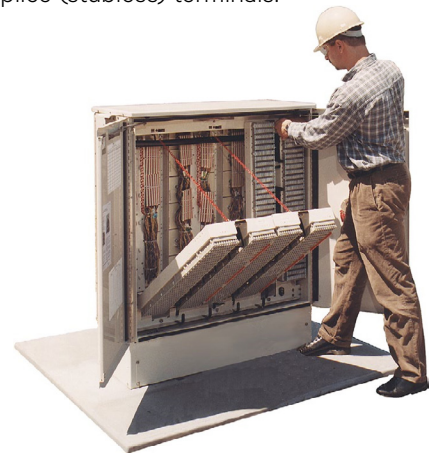
The Vertiv™ CXE UCX Series is an enhanced DRLS drop-down style center-feed cross-connect interface system equipped with 50-pair terminal blocks, in pair counts up to 8100 pairs. The cabinets are equipped with RLS50 terminal blocks, a test cord, jumper wire and spool, pair identification labels, and other accessories. The drop-down style block panels provide very short, easily traceable, jumper runs.

- Drop-down terminal block field for pre-splicing cable storage and a wider room for spliced connections
- Single cabinet mounting footprint for 900 pairs through 5400 pairs to reduce number of pads

- Moisture and insect/rodent barrier base that eliminates the need for pea gravel
- Overhanging rain guards, closed-cell neoprene door gaskets, and screened louvers keep out moisture, minimize condensation, and provide weather protection
- Single-access cabinets can be expandable to double access
- Interior and exterior powder-coat paint application for extended life
- Designed to meet Telcordia GR-3115-CORE spec

Application

Vertiv™ UCX Drop-Down Series cabinets are used as cross-connect points and serving area interfaces. Cabinets are available as single or double access field splice (stubless) terminals.



Vertiv™ CXE UCX 3600 Pair Double Access Cabinet (Pad Mount)

Table of Contents

Cabinet Overview	4
Vertiv CXE Vertiv UCX Series Cabinets	
400 to 600 Pair.....	4
900 Pair.....	5
1200 Pair.....	5
1800 Pair.....	6
2100 to 2400 Pair.....	6
2700 Pair.....	7
3600 Pair.....	8
4800 to 5400 Pair.....	8
7200 Pair.....	9
8100 Pair.....	9
Accessories	13
Mounting Templates	14
Dimensions & Door Swing Diagrams	16
Block Layouts	21

Note 1: Click on the step above to jump to that page.

Note 2: To return to the Ordering Guide Overview, click on the header of any page.

Vertiv™ CXE Series Ordering Guide

Cabinet Overview

Equipped Pair Count	Maximum Capacity								
	600 pair	1200 pair	1800 pair	2400 pair	2700 pair	3600 pair	5400 pair	7200 pair	8100 pair
400 pair	Page 4								
600 pair	Page 4								
900 pair		Page 5							
1200 pair		Page 5	Page 5			Page 5			
1800 pair			Page 6	Page 6		Page 6			
2100 pair					Page 4				
2400 pair				Page 6					
2700 pair					Page 7	Page 7	Page 7		
3600 pair						Page 8	Page 8	Page 8	
4800 pair							Page 8		
5400 pair							Page 8		
7200 pair								Page 9	Page 9
8100 pair									Page 9

Note: Click on a page number above to jump to that page. To return to the Ordering Guide Overview, click on the header of any page.

Ordering Information – Vertiv™ CXE UCX Series

Catalog Number	Part Number	Description	Grill	Dimensions ¹ (H x W x D)	Block Layout	Template	Color
400 to 600 Pair							
DRLS400SDPMGTE	F080035	E/W 400 pair / 600 pair (max), single-sided, 4005-DPM conn, labeled 2F2D	2 x 6	Diagram 1 50" x 16" x 20"	Fig 1.	Fig A ²	Off-White
FSDRLS600SCBMW	F1005663	E/W 600 pair / 600 pair (max), single-sided, 4005-GBM conn, labeled 3F3D	2 x 6	Diagram 2 50" x 16" x 20"	Fig 2.	Fig A ²	Off-White
FSDRLS600SCFW	F1002233	E/W 600 pair / 600 pair (max), single-sided, 710CF conn, labeled 3F3D	2 x 6	Diagram 2 50" x 16" x 20"	Fig 2.	Fig A ²	Off-White
FSDRLS600SDPM	F080404	E/W 600 pair / 600 pair (max), single-sided, 4005-DPM conn, labeled 3F3D	2 x 6	Diagram 2 50" x 16" x 20"	Fig 2.	Fig A ²	Green
FSDRLS600SDPMW	F080706	E/W 600 pair / 600 pair (max), single-sided, 4005-DPM conn, labeled 3F3D	2 x 6	Diagram 2 50" x 16" x 20"	Fig 2.	Fig A ²	Off-White
FSDRLS600SW	F1002227	E/W 600 pair / 600 pair (max), single-sided, 4005-DPM conn, labeled 3F3D	2 x 6	Diagram 2 50" x 16" x 20"	Fig 2.	Fig A ²	Off-White
900 Pair							
FSDRLS900S	F080051	E/W 900 pair / 1200 pair (max), single-sided, unconnectorized tail, labeled 3F6D	2 x 4	Diagram 3 38" x 44" x 24"	Fig 3.	Fig A	Green
FSDRLS900SCBMG	F1006714	E/W 900 pair / 1200 pair (max), single-sided, 4005-GBM conn, labeled 3F6D	2 x 4	Diagram 3 38" x 44" x 24"	Fig 3.	Fig A	Green
FSDRLS900SCBMW	F1005664	E/W 900 pair / 1200 pair (max), single-sided, 4005-GBM conn, labeled 3F6D	2 x 4	Diagram 3 38" x 44" x 24"	Fig 3.	Fig A	Off-White
DRLSE9SCFA	F1009898	E/W 900 pair / 1200 pair (max), single-sided, 710CF conn, labeled 3F6D	2 x 4	Diagram 3 38" x 44" x 24"	Fig 3.	Fig A	Off-White
DRLSE9SEBCFA	F1010088	E/W 900 pair / 1200 pair (max), single-sided, 710CF conn, labeled 3F6D, 18" extended base	2 x 4	Diagram 3 38" x 44" x 24"	Fig 3.	Fig A	Off-White
FSDRLS900SDPM	F080405	E/W 900 pair / 1200 pair (max), single-sided, 4005-DPM conn, labeled 3F6D	2 x 4	Diagram 3 38" x 44" x 24"	Fig 3.	Fig A	Green
FSDRLS900SDPMW	F080707	E/W 900 pair / 1200 pair (max), single-sided, 4005-DPM conn, labeled 3F6D	2 x 4	Diagram 3 38" x 44" x 24"	Fig 3.	Fig A	Off-White
FSDRLS900SW	F1002228	E/W 900 pair / 1200 pair (max), single-sided, unconnectorized tail, labeled 3F6D	2 x 4	Diagram 3 38" x 44" x 24"	Fig 3.	Fig A	Off-White

¹ Approximate dimensions. See drawing for exact dimensions.

² No conduit alignment template required, (mounting ring template only). (Continued on next page)

Ordering Information – Vertiv™ CXE UCX Series (continued)

Catalog Number	Part Number	Description	Grill	Dimensions ¹ (H x W x D)	Block Layout	Template	Color
1200 Pair							
FSDRLS1200SCBMGAL	F1005521	E/W 1200 pair / 1200 pair (max), single-sided, 4005-GBM conn, labeled 4F8D	2 x 4	Diagram 3 38" x 44" x 24"	Fig 4.	Fig A	Green
FSDRLS1200SCBMW	F1005665	E/W 1200 pair / 1200 pair (max), single-sided, 4005-GBM conn, labeled 4F8D	2 x 4	Diagram 3 38" x 44" x 24"	Fig 4.	Fig A	Off-White
FSDRLS1200SCF	F013062	E/W 1200 pair / 1200 pair (max), single-sided, 710CF conn, labeled 4F8D	2 x 4	Diagram 3 38" x 44" x 24"	Fig 4.	Fig A	Green
DRLSE12SCFAMP	F1009972	E/W 1200 pair / 1200 pair (max), single-sided, 710CF conn, labeled 4F8D	2 x 4	Diagram 3 38" x 44" x 24"	Fig 4.	Fig A	Off-White
DRLSE12SEBCFA	F1010087	E/W 1200 pair / 1200 pair (max), single-sided, 710CF conn, labeled 4F8D, 18" extended base	2 x 4	Diagram 3 38" x 44" x 24"	Fig 4.	Fig A	Off-White
FSDRLS1200SDPM	F080406	E/W 1200 pair / 1200 pair (max), single-sided, 4005-DPM conn, labeled 4F8D	2 x 4	Diagram 3 38" x 44" x 24"	Fig 4.	Fig A	Green
FSDRLS1200SDPMW	F080708	E/W 1200 pair / 1200 pair (max), single-sided, 4005-DPM conn, labeled 4F8D	2 x 4	Diagram 3 38" x 44" x 24"	Fig 4.	Fig A	Off-White
FSDRLS1200SW	F1002229	E/W 1200 pair / 1200 pair (max), single-sided, unconnectorized tail, labeled 4F8D	2 x 4	Diagram 3 38" x 44" x 24"	Fig 4.	Fig A	Off-White
DRLSE1218LPSCFA	F1009750	E/W 1200 pair / 1800 pair (max), single-sided, 710CF conn, labeled 4F8D	2 x 6	Diagram 6 50" x 44" x 24"	Fig 5.	Fig A	Off-White
DRLSE1236LPDCFA	F1009753	E/W 1200 pair / 3600 pair (max), double-sided, 710CF conn, labeled 4F8D	2 x 6	Diagram 7 50" x 44" x 24"	Fig 6.	Fig A	Off-White
1800 Pair							
FSDRLS1800S	F080081	E/W 1800 pair / 1800 pair (max), single-sided, unconnectorized tail, labeled 6F12D	2 x 6	Diagram 6 50" x 44" x 24"	Fig 7.	Fig A	Green
FSDRLS1800SCBMGAL	F1005527	E/W 1800 pair / 1800 pair (max), single-sided, 4005-GBM conn, labeled 6F12D	2 x 6	Diagram 6 50" x 44" x 24"	Fig 7.	Fig A	Green
FSDRLS1800SCBMWAL	F1005526	E/W 1800 pair / 1800 pair (max), single-sided, 4005-GBM conn, labeled 6F12D	2 x 6	Diagram 6 50" x 44" x 24"	Fig 7.	Fig A	Off-White
DRLSE1800LPSCFA	F1009751	E/W 1800 pair / 1800 pair (max), single-sided, 710CF conn, labeled 6F12D	2 x 6	Diagram 6 50" x 44" x 24"	Fig 7.	Fig A	Off-White
FSDRLS1800SDPMW	F1002239	E/W 1800 pair / 1800 pair (max), single-sided, 4005-DPM conn, labeled 6F12D	2 x 6	Diagram 6 50" x 44" x 24"	Fig 7.	Fig A	Off-White
FSDRLS1800SW	F1002231	E/W 1800 pair / 1800 pair (max), single-sided, unconnectorized tail, labeled 6F12D	2 x 6	Diagram 6 50" x 44" x 24"	Fig 7.	Fig A	Off-White
FSDRLS1800D	F080089	E/W 1800 pair / 2400 pair (max), double-sided, unconnectorized tail, labeled 6F12D	2 x 4	Diagram 4 38" x 44" x 24"	Fig 8.	Fig A	Green
FSDRLS1800DCBMWAL	F1005532	E/W 1800 pair / 2400 pair (max), double-sided, 4005-GBM conn, labeled 6F12D	2 x 4	Diagram 4 38" x 44" x 24"	Fig 8.	Fig A	Off-White
DRLSE18DCFA	F1009900	E/W 1800 pair / 2400 pair (max), double-sided, 710CF conn, labeled 6F12D	2 x 4	Diagram 4 38" x 44" x 24"	Fig 8.	Fig A	Off-White
DRLSE18DEBCFA	F1010086	E/W 1800 pair / 2400 pair (max), double-sided, 710CF conn, labeled 6F12D, 18" extended base	2 x 4	Diagram 5 56" x 44" x 24"	Fig 8.	Fig A	Off-White
FSDRLS1800DDPM	F080411	E/W 1800 pair / 2400 pair (max), double-sided, 4005-DPM conn, labeled 6F12D	2 x 4	Diagram 4 38" x 44" x 24"	Fig 8.	Fig A	Green
FSDRLS1800DDPMW	F080709	E/W 1800 pair / 2400 pair (max), double-sided, 4005-DPM conn, labeled 6F12D	2 x 4	Diagram 4 38" x 44" x 24"	Fig 8.	Fig A	Off-White
DRLSE1836LPDCFA	F1009754	E/W 1800 pair / 3600 pair (max), double-sided, 710CF conn, labeled 6F12D	2 x 6	Diagram 7 50" x 44" x 24"	Fig 9.	Fig A	Off-White
2100 to 2400 Pair							
DRLSE21SCFAHP	F1009976	E/W 2100 pair / 2700 pair (max), single-sided, 710CF conn, labeled 7F14D	2 x 9	Diagram 9 67" x 44" x 24"	Fig 10.	Fig A	Off-White
DRLSE24DCFA	F1009947	E/W 2400 pair / 2400 pair (max), double-sided, 710CF conn, labeled 8F16D	2 x 4	Diagram 4 38" x 44" x 24"	Fig 11.	Fig A	Off-White

¹ Approximate dimensions. See drawing for exact dimensions. (Continued on next page)

Vertiv™ CXE Series Ordering Guide

Ordering Information – Vertiv™ CXE UCX Series (continued)

Catalog Number	Part Number	Description	Grill	Dimensions ¹ (H x W x D)	Block Layout	Template	Color
2700 Pair							
FSDRLS2700D	F080121	E/W 2700 pair / 3600 pair (max), double-sided, unconnectorized tail, labeled 9F18D	2 x 6	Diagram 7 50" x 44" x 24"	Fig 12.	Fig. A	Green
FSDRLS2700DCBMG	F1006715	E/W 2700 pair / 3600 pair (max), double-sided, 4005-GBM conn, labeled 9F18D	2 x 6	Diagram 7 50" x 44" x 24"	Fig 12.	Fig. A	Green
FSDRLS2700DCBMW	F1005669	E/W 2700 pair / 3600 pair (max), double-sided, 4005-GBM conn, labeled 9F18D	2 x 6	Diagram 7 50" x 44" x 24"	Fig 12.	Fig. A	Off-White
DRLSE2736LPDCFA	F1009755	E/W 2700 pair / 3600 pair (max), double-sided, 710CF conn, labeled 9F18D	2 x 6	Diagram 7 50" x 44" x 24"	Fig 12.	Fig. A	Off-White
DRLSE27DEBCFA	F1010085	E/W 2700 pair / 3600 pair (max), double-sided, 710CF conn, labeled 9F18D, 18" extended base	2 x 6	Diagram 8 68" x 44" x 24"	Fig 12.	Fig. A	Off-White
FSDRLS2700DDPM	F080412	E/W 2700 pair / 3600 pair (max), double-sided, 4005-DPM conn, labeled 9F18D	2 x 6	Diagram 7 50" x 44" x 24"	Fig 12.	Fig. A	Green
FSDRLS2700DDPMW	F080711	E/W 2700 pair / 3600 pair (max), double-sided, 4005-DPM conn, labeled 9F18D	2 x 6	Diagram 7 50" x 44" x 24"	Fig 12.	Fig. A	Off-White
FSDRLS2700DW	F1002244	E/W 2700 pair / 3600 pair (max), double-sided, unconnectorized tail, labeled 9F18D	2 x 6	Diagram 7 50" x 44" x 24"	Fig 12.	Fig. A	Off-White
FSDRLS2700SCBMGAL	F1005530	E/W 2700 pair / 2700 pair (max), single-sided, 4005-GBM conn, labeled 9F18D	2 x 9	Diagram 9 67" x 44" x 24"	Fig 13.	Fig. A	Green
FSDRLS2700SCBMW	F1002849	E/W 2700 pair / 2700 pair (max), single-sided, 4005-GBM conn, labeled 9F18D	2 x 9	Diagram 9 67" x 44" x 24"	Fig 13.	Fig. A	Off-White
UDRLS2700SCFBA	F1001817	E/W 2700 pair / 2700 pair (max), single-sided, 710CF conn, labeled 9F18D	2 x 9	Diagram 9 67" x 44" x 24"	Fig 13.	Fig. A	Green
DRLSE2700SCFA	F1009752	E/W 2700 pair / 2700 pair (max), single-sided, 710CF conn, labeled 9F18D	2 x 9	Diagram 9 67" x 44" x 24"	Fig 13.	Fig. A	Off-White
FSDRLS2700SDPMW	F1002240	E/W 2700 pair / 2700 pair (max), single-sided, 4005-DPM conn, labeled 9F18D	2 x 9	Diagram 9 67" x 44" x 24"	Fig 13.	Fig. A	Off-White
FSDRLS2700SW	F1002232	E/W 2700 pair / 2700 pair (max), single-sided, unconnectorized tail, labeled 9F18D	2 x 9	Diagram 9 67" x 44" x 24"	Fig 13.	Fig. A	Off-White
FSDRLS27LPSCBMW	F1005667	E/W 2700 pair / 2700 pair (max), single-sided, 4005-GBM conn, labeled 9F18D	3 x 6	Diagram 11 50" x 67" x 24"	Fig 14.	Fig. B	Off-White
FSDRLS27LP SW	F1003858	E/W 2700 pair / 2700 pair (max), single-sided, unconnectorized tail, labeled 9F18D	3 x 6	Diagram 11 50" x 67" x 24"	Fig 14.	Fig. B	Off-White
DRLSE2754LPDCFA	F1009759	E/W 2700 pair / 5400 pair (max), double-sided, 710CF conn, labeled 9F18D	3 x 6	Diagram 12 50" x 67" x 24"	Fig 15.	Fig. B	Off-White
3600 Pair							
FSDRLS3600D	F080139	E/W 3600 pair / 3600 pair (max), double-sided, unconnectorized tail, labeled 12F24D	2 x 6	Diagram 7 50" x 44" x 24"	Fig 16.	Fig. A	Green
FSDRLS3600DCBMGAL	F1005797	E/W 3600 pair / 3600 pair (max), double-sided, 4005-GBM conn, labeled 12F24D	2 x 6	Diagram 7 50" x 44" x 24"	Fig 16.	Fig. A	Green
FSDRLS3600DCBMW	F1005670	E/W 3600 pair / 3600 pair (max), double-sided, 4005-GBM conn, labeled 12F24D	2 x 6	Diagram 7 50" x 44" x 24"	Fig 16.	Fig. A	Off-White
FSDRLS3600DCF	F013063	E/W 3600 pair / 3600 pair (max), double-sided, 710CF conn, labeled 12F24D	2 x 6	Diagram 7 50" x 44" x 24"	Fig 16.	Fig. A	Green
DRLSE3600LPDCFA	F1009756	E/W 3600 pair / 3600 pair (max), double-sided, 710CF conn, labeled 12F24D	2 x 6	Diagram 7 50" x 44" x 24"	Fig 16.	Fig. A	Off-White
DRLSE3600DEBCFA	F1010084	E/W 3600 pair / 3600 pair (max), double-sided, 710CF conn, labeled 12F24D, 18" extended base	2 x 6	Diagram 8 68" x 44" x 24"	Fig 16.	Fig. A	Off-White
FSDRLS3600DDPM	F080413	E/W 3600 pair / 3600 pair (max), double-sided, 4005-DPM conn, labeled 12F24D	2 x 6	Diagram 7 50" x 44" x 24"	Fig 16.	Fig. A	Green
FSDRLS3600DDPMW	F080712	E/W 3600 pair / 3600 pair (max), double-sided, 4005-DPM conn, labeled 12F24D	2 x 6	Diagram 7 50" x 44" x 24"	Fig 16.	Fig. A	Off-White
FSDRLS3600DW	F1002245	E/W 3600 pair / 3600 pair (max), double-sided, unconnectorized tail, labeled 12F24D	2 x 6	Diagram 7 50" x 44" x 24"	Fig 16.	Fig. A	Off-White
DRLSE3654HPDCFA	F1010190	E/W 3600 pair / 5400 pair (max), double-sided, 710CF conn, labeled 12F24D	2 x 9	Diagram 10 67" x 44" x 24"	Fig 16.	Fig. A	Off-White
DRLSE3654LPDCFA	F1009758	E/W 3600 pair / 5400 pair (max), double-sided, 710CF conn, labeled 12F24D	3 x 6	Diagram 12 50" x 67" x 24"	Fig 18.	Fig. B	Off-White
DRLSE3600LPSCFA	F1009761	E/W 3600 pair / 7200 pair (max), double-sided, 710CF conn, labeled 12F24D	3 x 6	Diagram 13 50" x 87" x 24"	Fig 19.	Fig. C	Off-White

¹ Approximate dimensions. See drawing for exact dimensions. (Continued on next page)

Ordering Information – Vertiv™ CXE UCX Series (continued)

Catalog Number	Part Number	Description	Grill	Dimensions ¹ (H x W x D)	Block Layout	Template	Color
4800 to 5400 Pair							
DRLSE4854LPDCFA	F1009757	E/W 4800 pair / 5400 pair (max), double-sided, 710CF, labeled 16F32D	3 x 6	Diagram 12 50" x 67" x 24"	Fig 20.	Fig. B	Off-White
FSDRLS5400DCBMW	F1004501	E/W 5400 pair / 5400 pair (max), double-sided, 4005-GBM conn, labeled 18F36D	2 x 9	Diagram 10 67" x 44" x 24"	Fig 21.	Fig. A	Off-White
DRLSE54DHPCFA	F1010155	E/W 5400 pair / 5400 pair (max), double-sided, 710CF, labeled 18F36D	2 x 9	Diagram 10 67" x 44" x 24"	Fig 21.	Fig. A	Off-White
FSDRLS5400DDPMW	F080716	E/W 5400 pair / 5400 pair (max), double-sided, 4005-DPM conn, labeled 18F36D	2 x 9	Diagram 10 67" x 44" x 24"	Fig 21.	Fig. A	Off-White
FSDRLS54LPD	F080162	E/W 5400 pair / 5400 pair (max), double-sided, unconnectorized tail, labeled 18F36D	3 x 6	Diagram 12 50" x 67" x 24"	Fig 22.	Fig. B	Green
FSDRLS54LPDCBMW	F1005422	E/W 5400 pair / 5400 pair (max), double-sided, 4005-GBM conn, labeled 18F36D	3 x 6	Diagram 12 50" x 67" x 24"	Fig 22.	Fig. B	Off-White
FSDRLS54LPDDPM	F080414	E/W 5400 pair / 5400 pair (max), double-sided, 4005-DPM conn, labeled 18F36D	3 x 6	Diagram 12 50" x 67" x 24"	Fig 22.	Fig. B	Green
FSDRLS54LPDW	F1005073	E/W 5400 pair / 5400 pair (max), double-sided, unconnectorized tail, labeled 18F36D	3 x 6	Diagram 12 50" x 67" x 24"	Fig 22.	Fig. B	Off-White
DRLSE5400LPDCFA	F1009760	E/W 5400 pair / 5400 pair (max), double-sided, 710CF, labeled 18F36D	3 x 6	Diagram 12 50" x 67" x 24"	Fig 22.	Fig. B	Off-White
7200 Pair							
FSDRLS7200DCBMW	F1005671	E/W 7200 pair / 8100 pair (max), double-sided, 4005-GBM conn, labeled 24F48D	3 x 9	Diagram 14 67" x 67" x 24"	Fig 23.	Fig. B	Off-White
DRLS7200DDPMGTE	F080168	E/W 7200 pair / 8100 pair (max), double-sided, 4005-DPM conn, labeled 24F48D	3 x 9	Diagram 14 67" x 67" x 24"	Fig 23.	Fig. B	Off-White
FSDRLS7200DW	F1002247	E/W 7200 pair / 8100 pair (max), double-sided, unconnectorized tail, labeled 24F48D	3 x 9	Diagram 14 67" x 67" x 24"	Fig 23.	Fig. B	Off-White
FSDRLS72LPDCBMW	F1005673	E/W 7200 pair / 7200 pair (max), double-sided, 4005-GBM conn, labeled 24F48D	3 x 6	Diagram 13 50" x 87" x 24"	Fig 24.	Fig. C	Off-White
DRLSE7200LPDCFA	F1009762	E/W 7200 pair / 7200 pair (max), double-sided, 710CF conn, labeled 24F48D	3 x 6	Diagram 13 50" x 87" x 24"	Fig 24.	Fig. C	Off-White
8100 Pair							
FSDRLS8100DCFV	F1002253	E/W 8100 pair / 8100 pair (max), double-sided, 710CF conn, labeled 27F54D	3 x 9	Diagram 14 67" x 67" x 24"	Fig 25.	Fig. B	Off-White
FSDRLS8100DDPMW	F1002255	E/W 8100 pair / 8100 pair (max), double-sided, 4005-DPM conn, labeled 27F54D	3 x 9	Diagram 14 67" x 67" x 24"	Fig 25.	Fig. B	Off-White
FSDRLS8100DW	F1002248	E/W 8100 pair / 8100 pair (max), double-sided, unconnectorized tail, labeled 27F54D	3 x 9	Diagram 14 67" x 67" x 24"	Fig 25.	Fig. B	Off-White

¹ Approximate dimensions. See drawing for exact dimensions.

Vertiv™ CXE Series Ordering Guide

Vertiv™ CXE UNX Series

Description

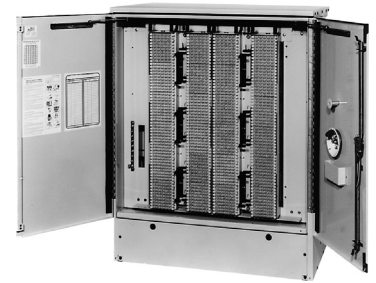
The Vertiv™ CXE UNX Series is a cross-connect interface system featuring a center-feed horizontal jumper run for efficient installation of jumpers. The cabinets are equipped with RLS50 self-strip terminal blocks, and are available in pair counts of up to 5400 pairs. Vertiv™ CXE XC cabinets are intended for use as a serving area interface or in a standard cross-connect application for feeder and distribution cables.

- Hinged, swing-out, split-block field provides easy and complete access to splice chambers
- High dielectric urethane potting compound expands and contracts with temperature variations for added corrosion protection and insect resistance on all blocks
- Moisture and insect barrier base eliminates need for pea gravel

- Overhanging rain guards, closed cell neoprene door gasketing, and screened louvers keep out moisture, minimize condensation, and provide weather protection
- Interior and exterior powder-coat paint process for extended life
- Simplified split-drawer base provides ease of cabinet installation over in-place cables and facilitates cabinet rehabilitation
- Single access cabinets can be expanded to double access cabinets

Application

Universal Series cabinets are intended for use as a serving area interface or in a standard cross-connect application for feeder and distribution cables.



Vertiv™ CXE UNX Series
2400 Pair Double Access Cabinet

Cabinet Overview

Equipped Pair Count	Maximum Capacity				
	1200 pair	1800 pair	2400 pair	3600 pair	5400 pair
600 pair	Page 11				
1200 pair	Page 11				
1800 pair		Page 11	Page 11		
2400 pair			Page 11		
2700 pair				Page 12	Page 12
3600 pair				Page 12	
4200 pair					Page 12
5400 pair					Page 12

Table of Contents

Vertiv CXE UNX Series Cabinets

600 to 1200 Pair	9
1800 to 2400 Pair	9
2700 Pair	9
3600 Pair	9
4200 to 5400 Pair	9

Accessories	13
--------------------------	-----------

Mounting Templates	14
---------------------------------	-----------

Dimensions & Door Swing Diagrams	16
---	-----------

Block Layouts	21
----------------------------	-----------

Note: Click on a page number above to jump to that page. To return to the Ordering Guide Overview, click on the header of any page.

Ordering Information – Vertiv™ CXE UNX Series

Catalog Number	Part Number	Description	Grill	Dimensions ¹ (H x W x D)	Block Layout	Color
600 to 1200 Pair						
FSUNRLS1200SCBM	F1010066	E/W 1200 pair / 1200 pair (max), single-sided, 4005-GBM conn, labeled 4F8D	2 x 6	Diagram 15 50" x 41" x 24"	Fig 27.	Off-White
FSUNRLS1200SCFW	F1002272	E/W 1200 pair / 1200 pair (max), single-sided, 710CF conn, labeled 4F8D	2 x 6	Diagram 15 50" x 41" x 24"	Fig 27.	Off-White
FSUNRLS12SCFEBWABS	F1006361	E/W 1200 pair / 1200 pair (max), single-sided, 710CF conn, labeled 4F8D, 18" extended base	2 x 6	Diagram 16 68" x 41" x 24"	Fig 27.	Green
1800 to 2400 Pair						
FSUNRLS18DWABS	F1006366	E/W 1800 pair / 2400 pair (max), double-sided, unconnectorized tail, labeled 6F12D	2 x 6	Diagram 17 50" x 41" x 24"	Fig 28.	Off-White
FSUNRLS1800DCF	F1002307	E/W 1800 pair / 2400 pair (max), double-sided, 710CF conn, labeled 6F12D	2 x 6	Diagram 17 50" x 41" x 24"	Fig 28.	Green
FSUNRLS18DCFWABS	F1006367	E/W 1800 pair / 2400 pair (max), double-sided, 710CF conn, labeled 6F12D	2 x 6	Diagram 17 50" x 41" x 24"	Fig 28.	Off-White
FSUNRLS18DCFEBWABS	F1006368	E/W 1800 pair / 2400 pair (max), double-sided, 710CF conn, labeled 6F12D, 18" extended base	2 x 6	Diagram 18 68" x 41" x 24"	Fig 28.	Off-White
FSUNRLS1800S	F1002269	E/W 1800 pair / 1800 pair (max), single-sided, unconnectorized tail, labeled 6F12D	3 x 6	Diagram 19 50" x 54" x 24"	Fig 29.	Green
FSUNRLS18SWBBS	F1006369	E/W 1800 pair / 1800 pair (max), single-sided, unconnectorized tail, labeled 6F12D	3 x 6	Diagram 19 50" x 54" x 24"	Fig 28.	Off-White
FSUNRLS18SCFWBBS	F1006370	E/W 1800 pair / 1800 pair (max), single-sided, 710CF conn, labeled 6F12D	3 x 6	Diagram 19 50" x 54" x 24"	Fig 28.	Off-White
2700 Pair						
FSUNRLS27DWBBS	F1006375	E/W 2700 pair / 3600 pair (max), double-sided, unconnectorized tail, labeled 9F18D	3 x 6	Diagram 20 50" x 54" x 24"	Fig 31.	Off-White
FSUNRLS2700DCF	F1002308	E/W 2700 pair / 3600 pair (max), double-sided, 710CF conn, labeled 9F18D	3 x 6	Diagram 20 50" x 54" x 24"	Fig 31.	Green
FSUNRLS27DCFWBBS	F1006376	E/W 2700 pair / 3600 pair (max), double-sided, 710CF conn, labeled 9F18D	3 x 6	Diagram 20 50" x 54" x 24"	Fig 31.	Off-White
FSUNRLS27DCFEBWABS	F1006377	E/W 2700 pair / 3600 pair (max), double-sided, 710CF conn, labeled 9F18D, 18" extended base	3 x 6	Diagram 21 68" x 54" x 24"	Fig 31.	Off-White
FSUNRLS2700SCFW	F1002275	E/W 2700 pair / 5400 pair (max), double-sided, 710CF conn, labeled 9F18D	3 x 9	Diagram 22 67" x 54" x 24"	Fig 32.	Off-White
3600 Pair						
FSUNRLS36DWBBS	F1006382	E/W 3600 pair / 3600 pair (max), double-sided, unconnectorized tail, labeled 12F24D	3 x 6	Diagram 20 50" x 54" x 24"	Fig 33.	Off-White
FSUNRLS36DCFWBBS	F1006383	E/W 3600 pair / 3600 pair (max), double-sided, 710CF conn, labeled 12F24D	3 x 6	Diagram 20 50" x 54" x 24"	Fig 33.	Off-White
FSUNRLS36DCFEBWABS	F1006384	E/W 3600 pair / 3600 pair (max), double-sided, 710CF conn, labeled 12F24D, 18" extended base	3 x 6	Diagram 20 50" x 54" x 24"	Fig 33.	Off-White
4200 to 5400 Pair						
FSUNRLS42DWCBS	F1006385	E/W 4200 pair / 5400 pair (max), double-sided, unconnectorized tail, labeled 14F28D	3 x 9	Diagram 22 67" x 54" x 24"	Fig 34.	Off-White
FSUNRLS42DCFWCBS	F1006386	E/W 4200 pair / 5400 pair (max), double-sided, 710CF conn, labeled 14F28D	3 x 9	Diagram 22 67" x 54" x 24"	Fig 34.	Off-White
FSUNRLS54DCFWCBS	F1006391	E/W 5400 pair / 5400 pair (max), double-sided, 710CF conn, labeled 18F36D	3 x 9	Diagram 22 67" x 54" x 24"	Fig 35.	Off-White

¹ Approximate dimensions. See drawing for exact dimensions.

Vertiv™ CXE Series Ordering Guide

Vertiv™ CXE AEX Series

Description

The Vertiv™ CXE AEX Series is an integrated system consisting of housing, terminal field, and cable, providing the interface between feeder and distribution cables.

- Equipped with RLS50 IDC terminal blocks for fast and easy pair-at-a-time, no-strip jumpering
- Stabilizer braces maintain pole position
- Top or bottom entrance ports for aerial or buried cables
- High dielectric potting compound expands and contracts with temperature variations
- Three-point locking system for cabinet security
- Drop-down block-field provides easy, complete access to splice chamber
- Overhanging rain guards, closed-cell neoprene door gasketing, and screened louvers keep out moisture, minimize condensation, and restrict insect entry

- Pole-mounting bracket permits easy installation
- Climb-assist handles for safety

Application

The Aerial Series is designed to be mounted with cable ports located at either the top or bottom for applications requiring up to 2700 pairs of terminations.



1800 Pair / 1800 Max
Vertiv™ CXE AEX
Cross-Connect, 710 Connector

Cabinet Overview

Equipped Pair Count	Maximum Capacity				
	400 pair	900 pair	1200 pair	1800 pair	2700 pair
400 pair	Page 14				
600 pair		Page 14			
900 pair		Page 14			
1200 pair			Page 14		
1500 pair				Page 14	
1800 pair				Page 14	
2700 pair					Page 14

NOTE: Click on a page number above to jump to that page. To return to the Ordering Guide Overview, click on the header of any page.

Table of Contents

Vertiv CXE AEX Series Cabinets

400/400 Pair.....	11
600/900 Pair.....	11
900/900 Pair.....	11
1200/1200 Pair.....	11
1500/1800 Pair.....	11
1800/1800 Pair.....	11
2700/2700 Pair.....	11

Accessories	13
--------------------------	-----------

Dimensions & Door Swing Diagrams	16
---	-----------

Block Layouts	21
----------------------------	-----------

Note: Click on a page number above to jump to that page. To return to the Ordering Guide Overview, click on the header of any page.

Ordering Information – Vertiv™ CXE AEX Series

Catalog Number	Part Number	Description	Grill	Dimensions ¹ (H x W x D)	Block Layout	Color
400/400 Pair	includes:	400 pair (equipped) / 400 pair (max); (1) 400-pair max grill (2 x 4), tight twist RLS50 IDC blocks, max cable ports: 2 top / 2 bottom				
FSRS400UW	F1009726	Unconnectorized tail, labeled 2F2D	2 x 4	Diagram 23 – 33" x 16" x 14"	Fig 36.	Off-White
FSRS400AG	F1010083					Green
FSRS400ACFW	F1010163	710CF connector, labeled 2F2D	2 x 4	Diagram 23 – 33" x 16" x 14"	Fig 36.	Off-White
FSRS400UCF	F018513					Green
FSRS400ACBMWAL	F1008643	4005-GBM conn, labeled 2F2D	2 x 4	Diagram 23 – 33" x 16" x 14"	Fig 36.	Off-White
FSRS400UCBMG	F1009577					Green
FSRS400UDPMW	F1009151	4005-DPM conn, labeled 2F2D	2 x 4	Diagram 23 – 33" x 16" x 14"	Fig 36.	Off-White
FSRS400ADPMG	F1010472					Green
600/900 Pair	includes:	600 pair (equipped) / 900 pair (max); (1) 900-pair max grill (3 x 6), tight twist RLS50 IDC blocks, max cable ports: 2 top / 2 bottom				
FSADRLS6UWBS	F1006340	Unconnectorized tail, labeled 2F4D	3 x 6	Diagram 24 – 45" x 24" x 14"	Fig 37.	Off-White
FSRS600U	F018516	Unconnectorized tail, labeled 3F3D	3 x 6	Diagram 24 – 45" x 24" x 14"	Fig 37.	Green
FSADRLS6CFAUWA	F1008960	710CF connector, labeled 3F3D	3 x 6	Diagram 24 – 45" x 24" x 14"	Fig 37.	Off-White
FSRS600ACBMWAL	F1008644	4005-GBM conn, labeled 3F3D	3 x 6	Diagram 24 – 45" x 24" x 14"	Fig 37.	Off-White
FSRS600UCBMGAL	F1005581					Green
FSRS600ADPMG	F1010097	4005-DPM conn, labeled 3F3D	3 x 6	Diagram 24 – 45" x 24" x 14"		Green
900/900 Pair	includes:	900 pair (equipped) / 900 pair (max); (1) 900-pair grill (3 x 6), tight twist RLS50 IDC blocks, max cable ports: 2 top / 2 bottom				
FSRS900UW	F1004754	Unconnectorized tail, labeled 3F6D	3 x 6	Diagram 24 – 45" x 24" x 14"	Fig 38.	Off-White
FSADRLS9CFAUWA	F1008197	710CF connector, labeled 3F6D	3 x 6	Diagram 24 – 45" x 24" x 14"	Fig 38.	Off-White
FSRS900ACBMWAL	F1008645	4005-GBM conn, labeled 3F6D	3 x 6	Diagram 24 – 45" x 24" x 14"	Fig 38.	Off-White
FSRS900UCBMGAL	F1005584					Green
FSRS900UDPMW	F1010450	4005-DPM conn, labeled 3F6D	3 x 6	Diagram 24 – 45" x 24" x 14"	Fig 38.	Off-White
1200/1200 Pair	includes:	1200 pair (equipped) / 1200 pair (max); (2) 600-pair grills (2 x 6), tight twist RLS50 IDC blocks, max cable ports: 3 top / 3 bottom				
FSADRLS12CFAUWA	F1008198	710CF connector, labeled 4F8D	(2) 2 x 6	Diagram 25 – 45" x 33" x 14"	Fig 39.	Off-White
FSADRLS1200ACBMWAL	F1008646	4005-GBM connector, labeled 4F8D	(2) 2 x 6	Diagram 25 – 45" x 33" x 14"	Fig 39.	Off-White
FSADRLS1200UCBMGAL	F1005587					Green
FSADRLS1200UDPMW	F1009364	4005-DPM connector, labeled 4F8D	(2) 2 x 6	Diagram 25 – 45" x 33" x 14"	Fig 39.	Off-White
1500/1800 Pair	includes:	1500 pair (equipped) / 1800 pair (max); (2) 900-pair grills (2 x 9), tight twist RLS50 IDC blocks, max cable ports: 3 top / 3 bottom				
FSADRLS15AUCBMW	F1009748	4005-GBM connector, labeled 5F10D	(2) 2 x 9	Diagram 26 – 62" x 33" x 14"	Fig 40.	Off-White
1800/1800 Pair	includes:	1800 pair (equipped) / 1800 pair (max); (2) 900-pair grills (2 x 9), tight twist RLS50 IDC blocks, max cable ports: 3 top / 3 bottom				
FSADRLS1800UWBS	F1006354	Unconnectorized tail, labeled 6F12D	(2) 2 x 9	Diagram 26 – 62" x 33" x 14"	Fig 42.	Off-White
FSADRLS18CFAUWA	F1008199	710CF connector, labeled 6F12D	(2) 2 x 9	Diagram 26 – 62" x 33" x 14"	Fig 42.	Off-White
FSADRLS18AUCBMW	F1010082	4005-GBM connector, labeled 6F12D	(2) 2 x 9	Diagram 26 – 62" x 33" x 14"	Fig 42.	Off-White
FSADRLS1800UCBMGAL	F1005593	4005-GBM connector, labeled 6F12D	(2) 2 x 9	Diagram 26 – 62" x 33" x 14"	Fig 42.	Green
2700/2700 Pair	includes:	2700 pair (equipped) / 2700 pair (max); (3) 900-pair grills (2 x 9), tight twist RLS50 IDC blocks, max cable ports: 4 top / 5 bottom				
FSADRLS27CFAUWA	F1008200	710CF connector, labeled 9F18D	(3) 2 x 9	Diagram 27 – 62" x 46" x 14"	Fig 42.	Off-White
FSADRLS2700ACBMWAL	F1008649	4005-GBM connector, labeled 9F18D	(3) 2 x 9	Diagram 27 – 62" x 46" x 14"	Fig 42.	Off-White

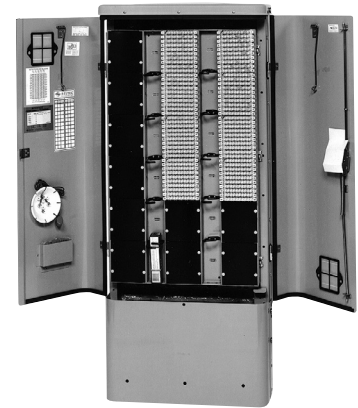
¹Approximate dimensions. See drawing for exact dimensions.

Vertiv™ CXE LCX Low-Count Swing-Out Series

Description

The Vertiv™ CXE LCX Low-Count, Swing-Out Series of single-access cross-connect interface cabinets is an economical alternative for low-pair-count applications. Equipped with a hinged grill, test cord, two stakes, and recessed pad-mounting BA12 brackets, it can accommodate 100 to 900 pairs, using 50-pair blocks.

- 50-pair RLS50 terminal blocks provide rapid pair-at-a-time no-strip jumpering
- Three-point door latch provides extra security
- Pad- or stake-mounting options
- Rugged metal housing for durability and low maintenance costs
- Interior and exterior powder-coat paint application for extended life



Vertiv™ CXE LCX Swing-Out Series
Shown with 400 pair of RLS50 blocks

Application

The Vertiv™ CXE LCX Swing-Out Series is an above-ground line of outdoor cabinets used in pad or stake-mounted applications. The cabinet provides convenient pair-at-a-time connections, and accommodates RLS50 terminal blocks.

Dimensions

Cabinet Size	H	W	D
100 pair to 900 pair	56.50-in.	23.75-in.	11.30-in.

Note: Base is 14" tall.

Ordering Information

Catalog Number	Part Number	Description	In	Out
FSERLS400	F010561	400-pair installed, RLS block	200	200
FSERLS900	F957241	900-pair installed, RLS block	300	600
FSE900	F016934	Empty cabinet, hinged grill, no blocks, tester dish without tester	-	-
FSERLS200DPM	F010533	200-pair installed, RLS50 block with 3M® 4005-DPM connectors	100	100
FSEFLS400CF	F010541	400-pair installed, RLS50 block with 710 CF connector	200	200
FSERLS600CF	F1002324	600-pair installed, RLS50 block with 710 CF connector	300	300
FSERLS600DPM	F010534	600-pair installed, RLS50 block with 3M 4005-DPM connectors	300	300
FSERLS900CF	F010536	900-pair installed, RLS50 block with 710 CF connector	300	600
FSERLS900DPM	F010538	900-pair installed, RLS50 block with 3M 4005-DPM connectors	300	600

NOTE 1: Cabinet is expandable to 900-pair.

NOTE 2: Terminal blocks can also be equipped with filled bridge connectors, 4005-GBM.

Vertiv™ CXE UCX Series

Vertiv™ CXE UNX Series

Vertiv™ CXE AEX Series

Accessories

Catalog Number	Part Number	Description	See Figure
Vertiv™ CXE UCX Series			
RLSE50GBM	F016941	50 PR CAT5 BLK W/62" MS2GBM	
RLSE50CF	F1009767	50PR CAT5 BLK W/62" 710CF	
ULTRACABBGRKLT6	F1006470	RLS50 600-pr. drop-down grill kit (2 x 6 blocks), 710CF connectors	
ULTRCABAGRLKT4CBMW	F1009067	RLS50 400-pr. drop-down grill kit (2 x 4 blocks), 4005GBM connectors	
ULTRAFRM600CBM2X6	F1007359	RLS50 600-pr. drop-down grill kit (2 x 6 blocks), 4005GBM connectors	
UDRLS900CBMPLKIT	F1005447	RLS50 900-pr. drop-down grill kit (2 x 9 blocks), 4005GBM connectors	
P71315	F571315	Mounting ring template ¹	Fig A.
CONDUITMPUC243654	F1005158	6-hole conduit alignment template	Fig A.
P71316	F571316	Mounting ring template ¹	Fig B.
CONDUITMPUC243654	F1005158	6-hole conduit alignment template	Fig B.
7200LPMTGRING	F1005091	Mounting ring template ¹	Fig C.
CONDUITMPUCLP72	F1005161	6-hole conduit alignment template	Fig C.
Vertiv CXE UNX Series			
P71315	F571315	Metal mounting template, to be embedded in poured concrete pad	Fig D.
Vertiv CXE AEX Series			
RLSE50CF	F1009767	Tight twist RLS50 block, 710 connector	
RLSE50GBM	F016941	Tight twist RLS50 block, CBM connector	
RLSE50	F1010440	Tight twist RLS50 block, raw ended	
RLSE50DPM	F1010286	Tight twist RLS50 block, DPM connector	
P53828	F553828	Red special service caps (pack of 80)	
RLSACTGRAY10	F567272	Gray replacement activators (pack of 10)	
RLSTEST1	F019128	RLS one-pair tester with 8' leads and ring terminal	
RLSTEST1PKT	F019127	RLS50/30M one-pair pocket tester w/ring terminal	
P27097	F527097	RLS tester dish	
PORTKIT3IN	F1009102	3" diameter cable entry port kit	
PORTKIT4IN	F1008722	4" diameter cable entry port kit	
P35313	F535313	Replacement door handle	
P64606	F1005779	RLS50 block label kit, 1-2700 green (feeder)	
P64506	F1005783	RLS50 block label kit, 1-2700 blue (distribution)	
132155	F1008217	RLS50 block label kit, 1-2700 purple (VRAD OUT)	
132157	F1008219	RLS50 block label kit, 1-2700 yellow (VRAD IN)	
P807851	F016984	Write-on cable assignment label	

¹ When pouring a pad, a mounting ring is required.

Mounting Templates for Vertiv™ CXE UCX Series

Fig. A

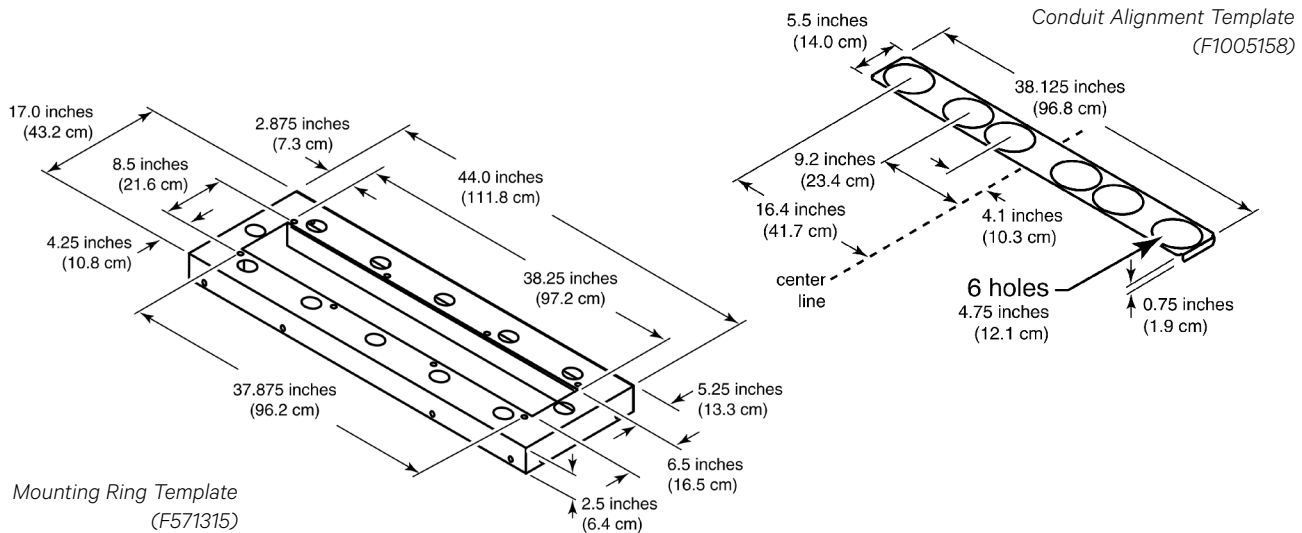
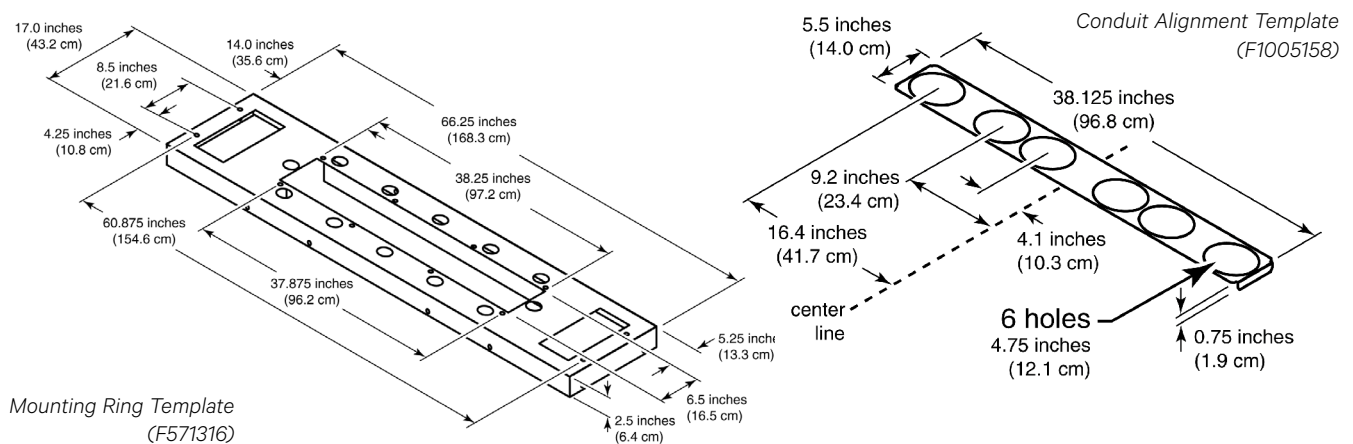
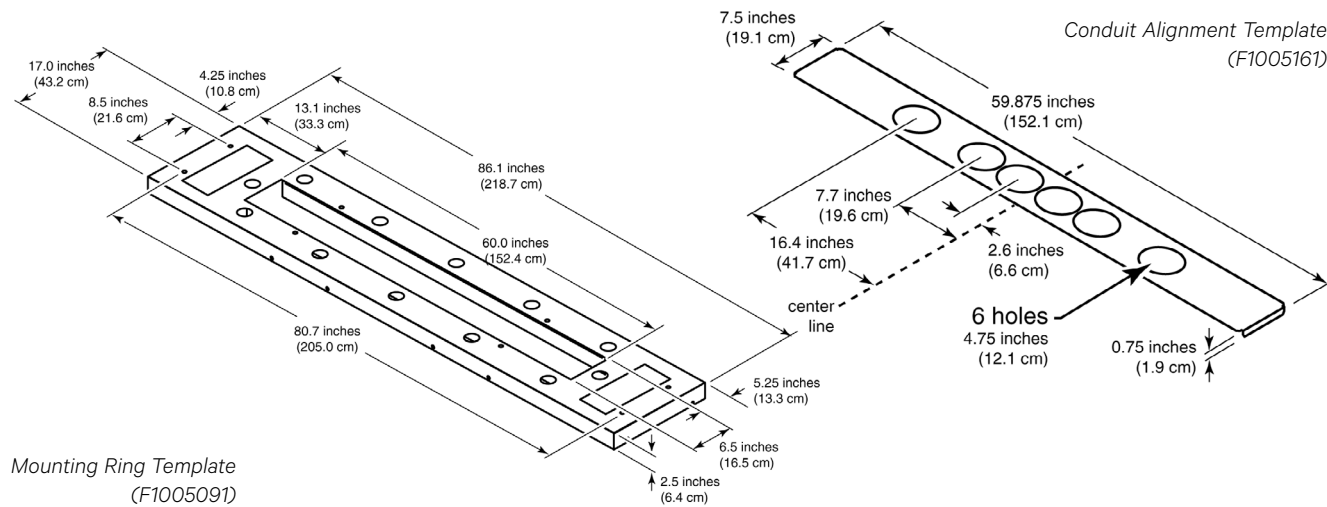


Fig. B



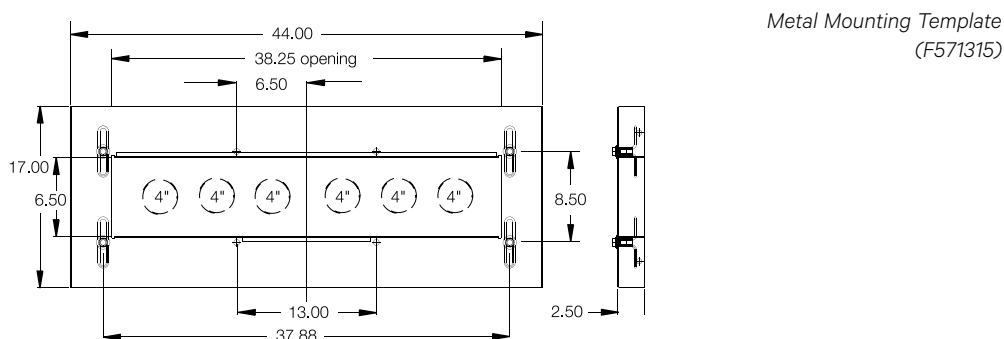
Mounting Templates for Vertiv™ CXE UCX Series (cont'd)

Fig. C



Mounting Template for Vertiv™ CXE UNX Series

Fig. D



Mounting center dimensions: 13.00" W x 8.50" D for 100 pair to 600 pair standard cabinets;
37.88" W x 8.50" D for 700 pair to 5400 pair standard cabinets

Vertiv™ CXE Series Ordering Guide

Dimensions & Door Swing Diagrams

Vertiv™ CXE UCX Series

Vertiv™ CXE UNX Series

Vertiv™ CXE AEX Series

Diagram 1 – 50" x 16" x 20"

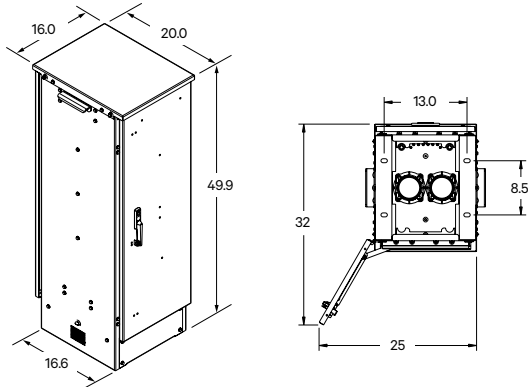


Diagram 2 – 50" x 16" x 20"

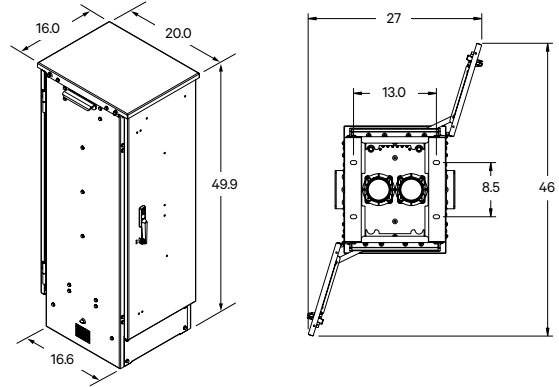


Diagram 3 – 38" x 44" x 24"

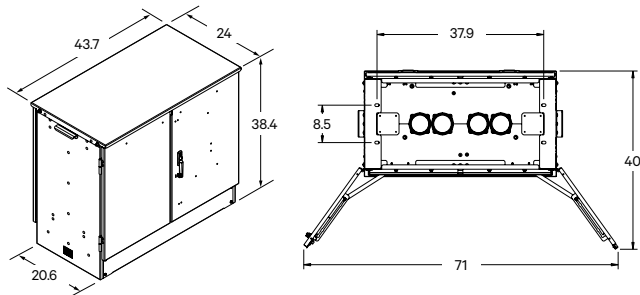


Diagram 4 – 38" x 44" x 24"

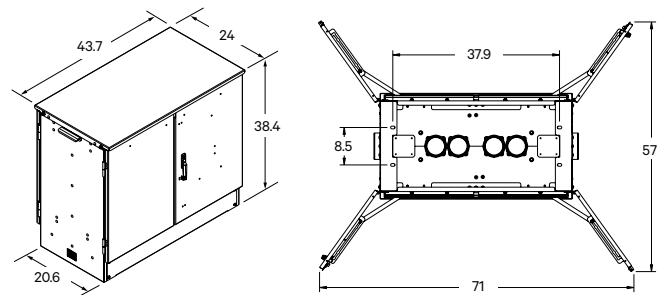


Diagram 5 – 56" x 44" x 24"

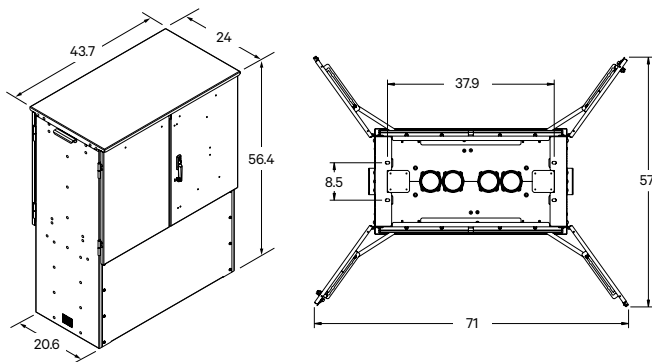
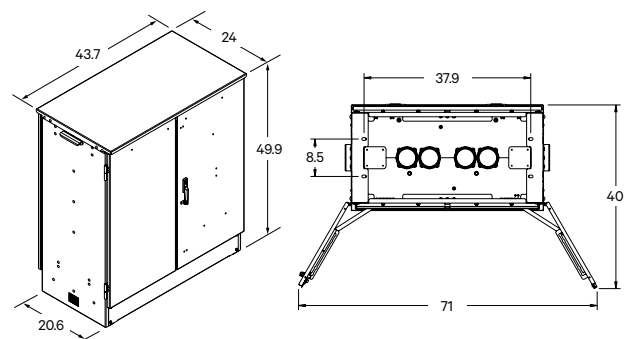


Diagram 6 – 50" x 44" x 24"



Vertiv™ CXE UCX Series

Vertiv™ CXE UNX Series

Vertiv™ CXE AEX Series

Dimensions & Door Swing Diagrams (cont'd)

Diagram 7 – 50" x 44" x 24"

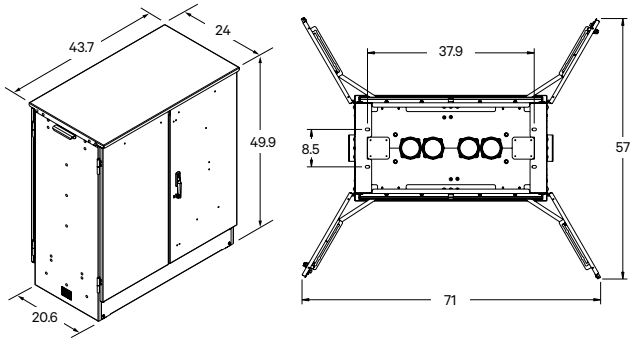


Diagram 8 – 68" x 44" x 24"

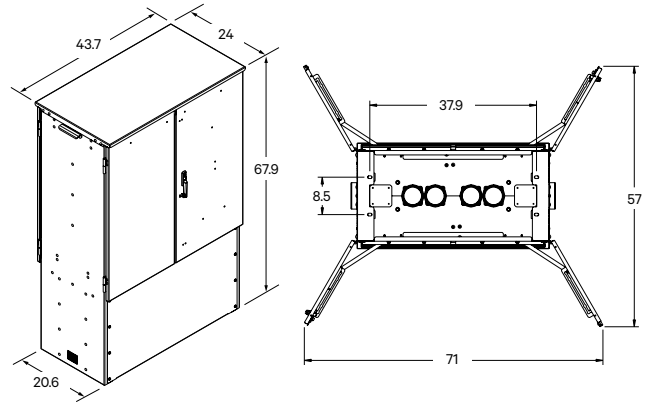


Diagram 9 – 67" x 44" x 24"

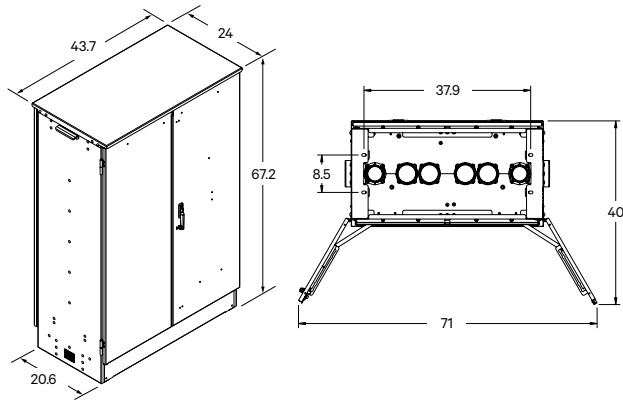


Diagram 10 – 67" x 44" x 24"

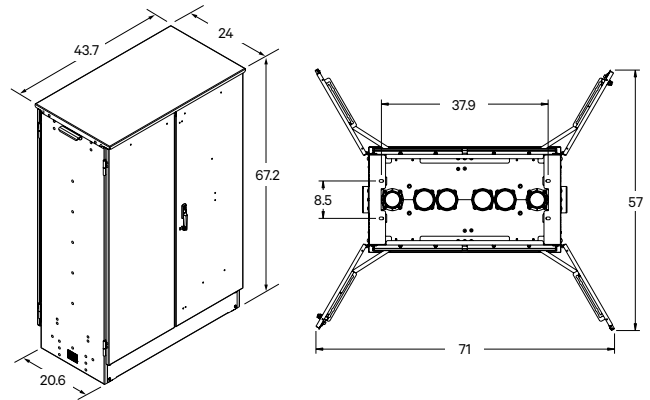


Diagram 11 – 50" x 67" x 24"

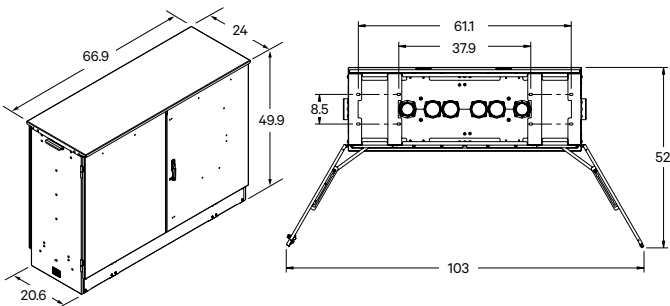
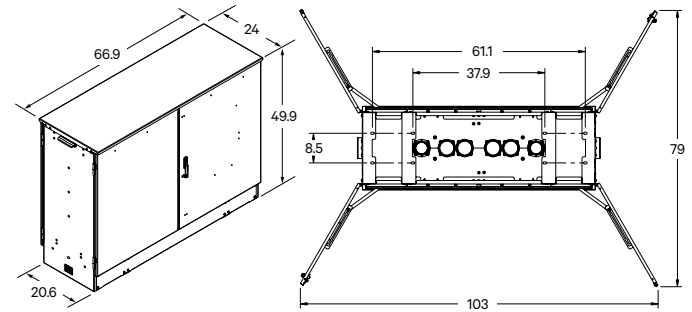


Diagram 12 – 50" x 67" x 24"



Vertiv™ CXE Series Ordering Guide

Vertiv™ CXE UCX Series

Vertiv™ CXE UNX Series

Vertiv™ CXE AEX Series

Dimensions & Door Swing Diagrams (cont'd)

Diagram 13 – 50" x 87" x 24"

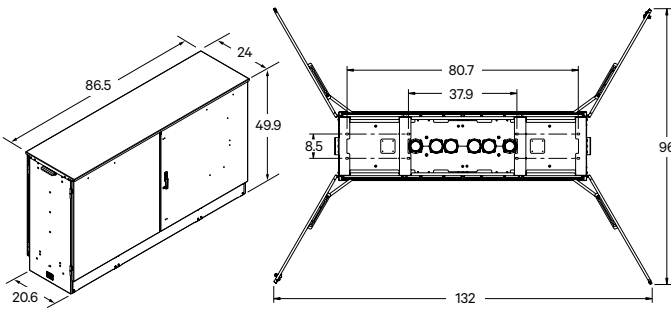


Diagram 14 – 67" x 67" x 24"

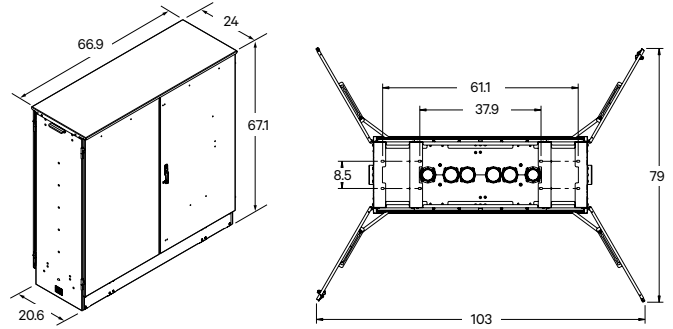


Diagram 15 – 50" x 41" x 24"

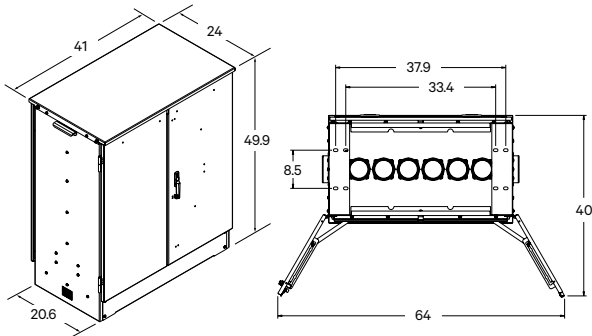


Diagram 16 – 68" x 41" x 24"

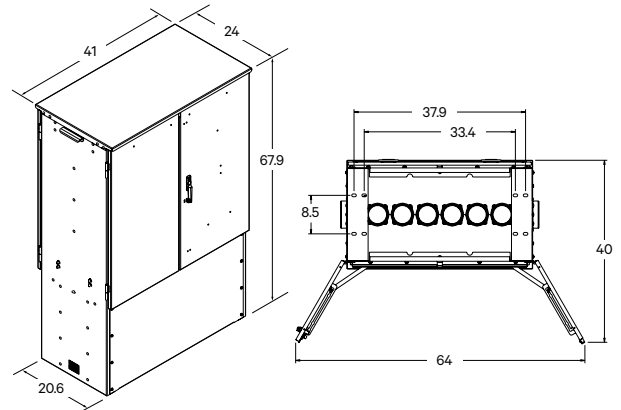


Diagram 17 – 50" x 41" x 24"

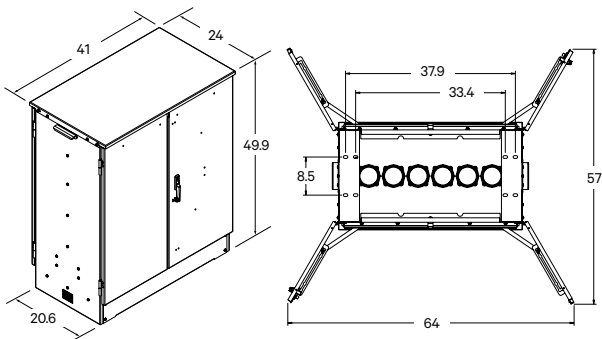
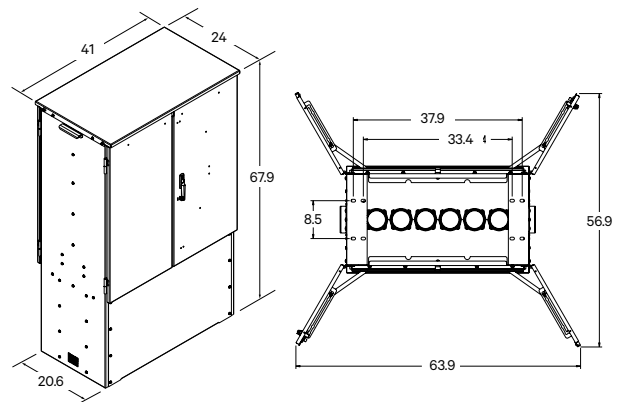


Diagram 18 – 68" x 41" x 24"



Vertiv™ CXE UCX Series

Vertiv™ CXE UNX Series

Vertiv™ CXE AEX Series

Dimensions & Door Swing Diagrams (cont'd)

Diagram 19 – 50" x 54" x 24"

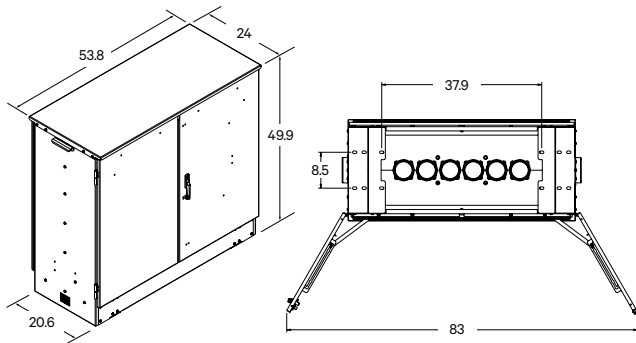


Diagram 20 – 50" x 54" x 24"

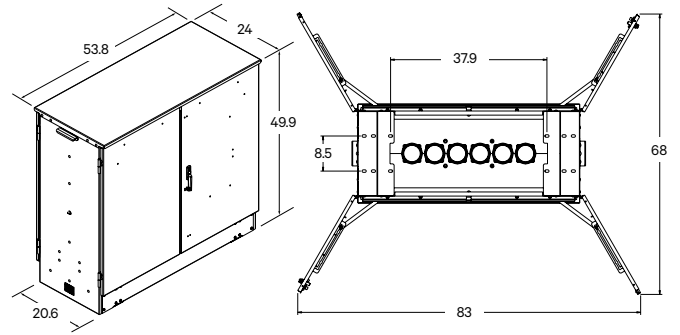


Diagram 21 – 68" x 54" x 24"

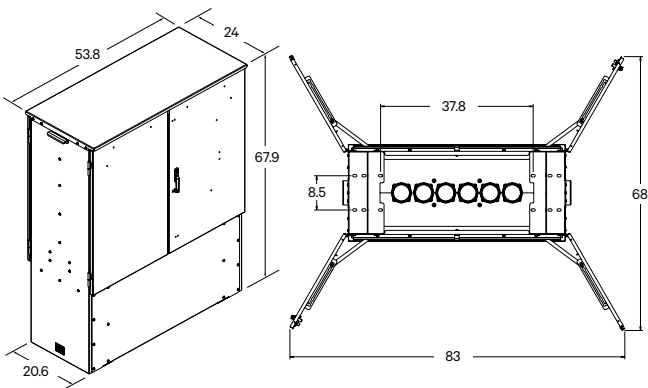
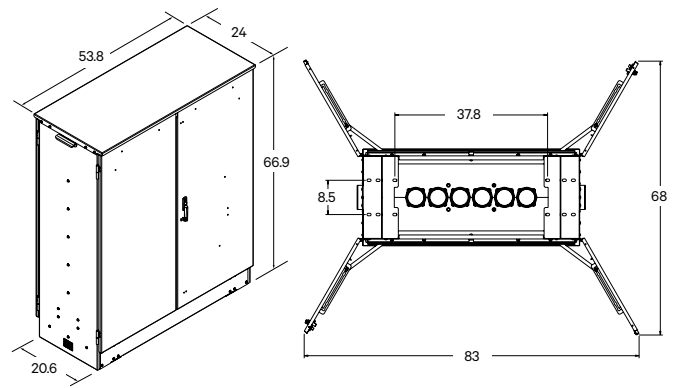


Diagram 22 – 67" x 54" x 24"



Vertiv™ CXE Series Ordering Guide

Vertiv™ CXE UCX Series

Vertiv™ CXE UNX Series

Vertiv™ CXE AEX Series

Dimensions & Door Swing Diagrams (cont'd)

Diagram 23 – 33" x 16" x 14"

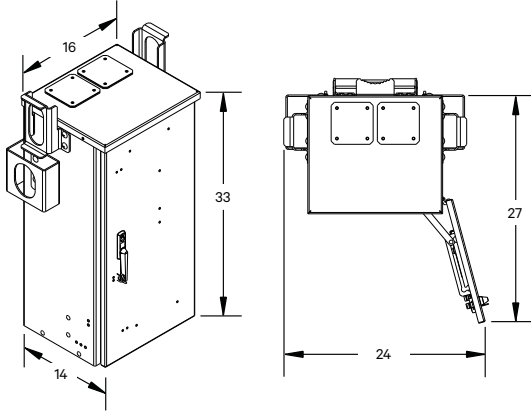


Diagram 24 – 45" x 24" x 14"

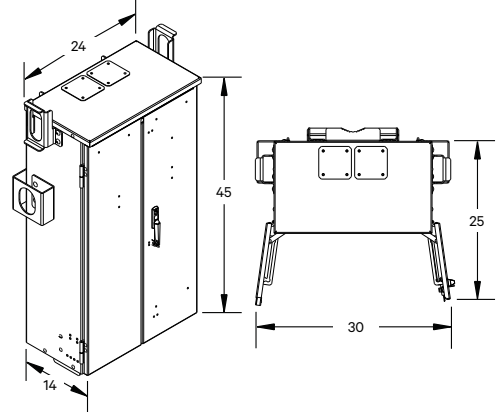


Diagram 25 – 45" x 33" x 14"

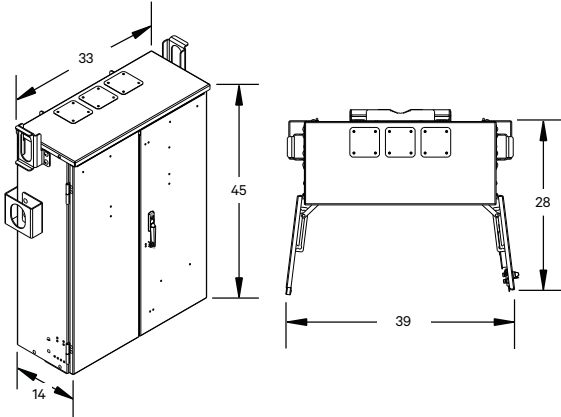


Diagram 26 – 62" x 33" x 14"

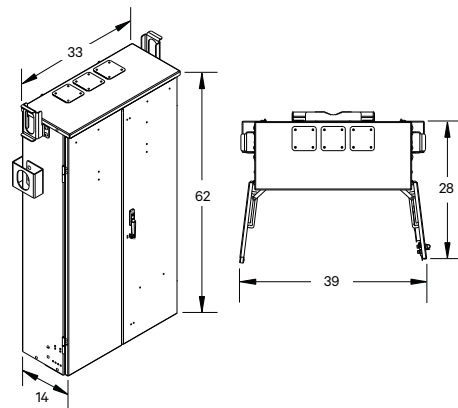
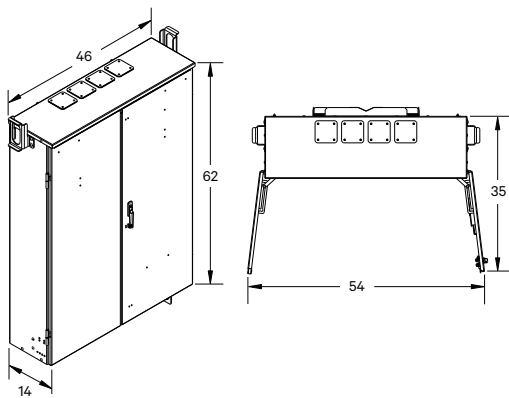


Diagram 27 – 62" x 46" x 14"



Vertiv™ CXE UCX Series

Vertiv™ CXE UNX Series

Vertiv™ CXE AEX Series

Block Layouts

Fig. 1

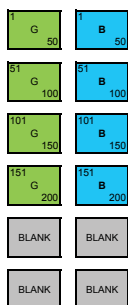


Fig. 2

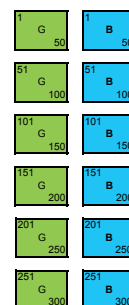


Fig. 3



Fig. 4



Fig. 5

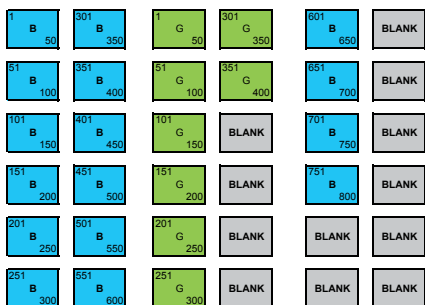
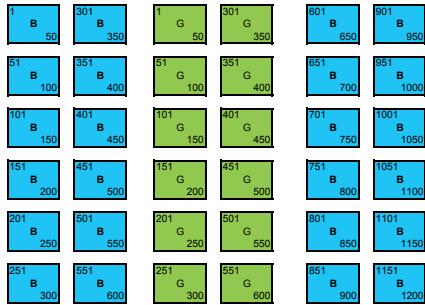


Fig. 6



Block Layouts (continued)

Fig. 7



Vertiv™ CXE UCX Series

Vertiv™ CXE UNX Series

Vertiv™ CXE AEX Series

Fig. 8

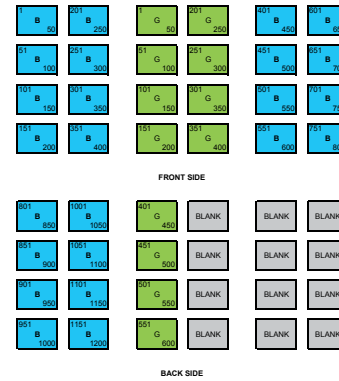


Fig. 9



Fig. 10

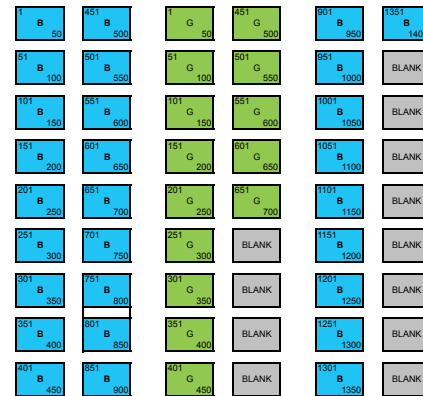


Fig. 11

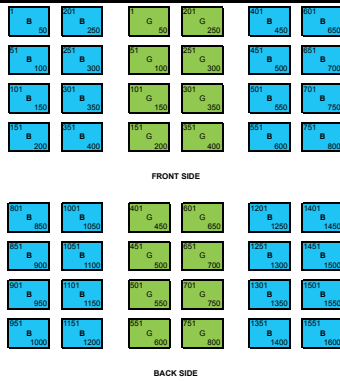
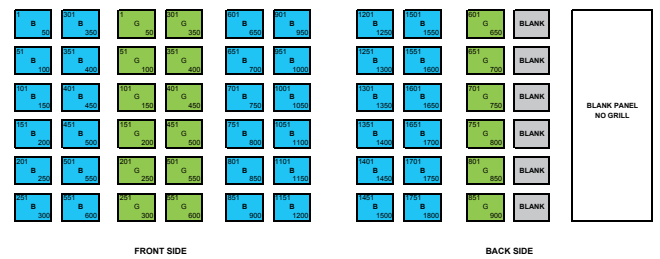


Fig. 12



Vertiv™ CXE UCX Series

Vertiv™ CXE UNX Series

Vertiv™ CXE AEX Series

Block Layouts (continued)

Fig. 13

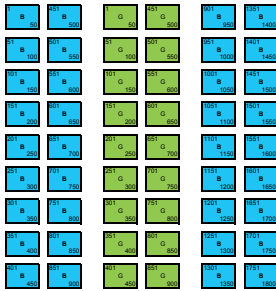


Fig. 14

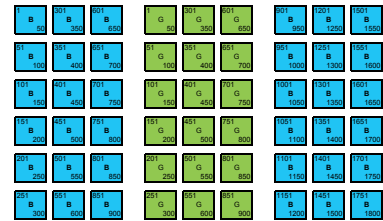


Fig. 15

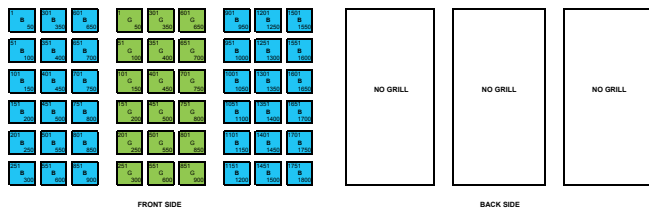


Fig. 16



Fig. 17

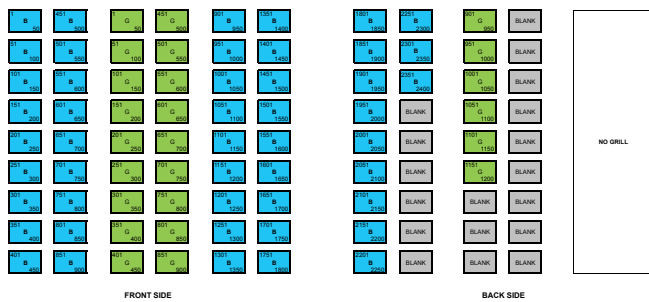
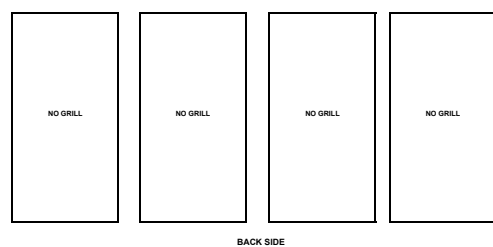
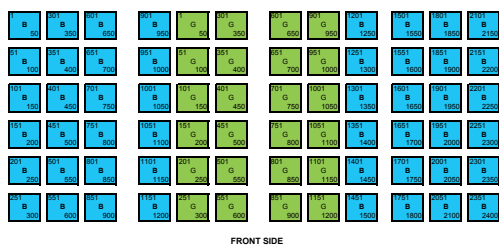


Fig. 18



Fig. 19



Block Layouts (continued)

Vertiv™ CXE UCX Series

Vertiv™ CXE UNX Series

Vertiv™ CXE AEX Series

Fig. 20

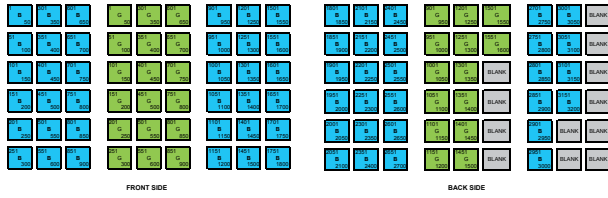


Fig. 21

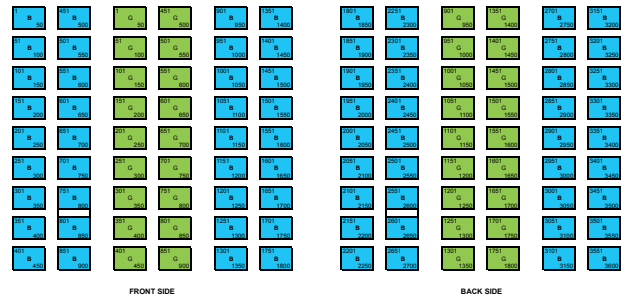


Fig. 22

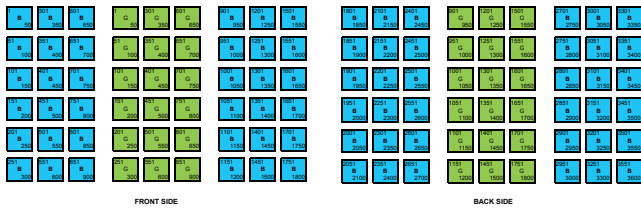


Fig. 23

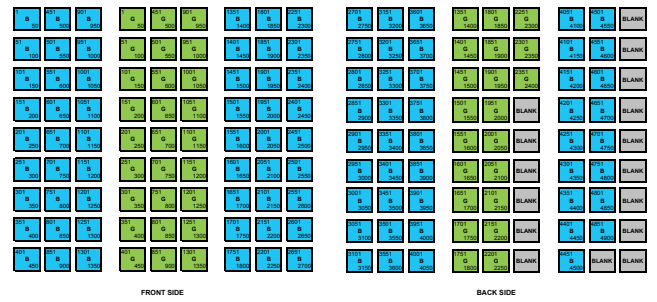


Fig. 24

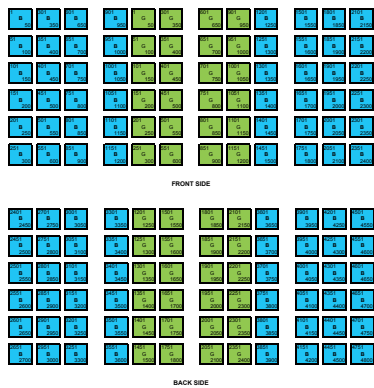
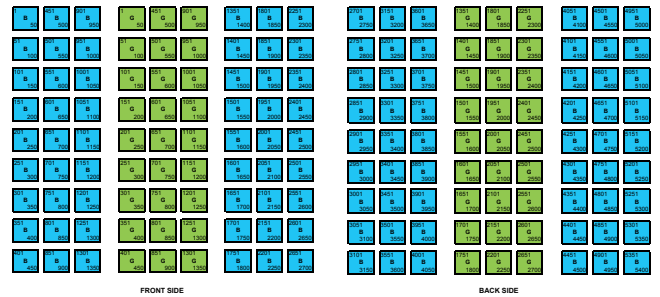


Fig. 25



Block Layouts (continued)

Vertiv™ CXE UCX Series

Vertiv™ CXE UNX Series

Vertiv™ CXE AEX Series

Fig. 26

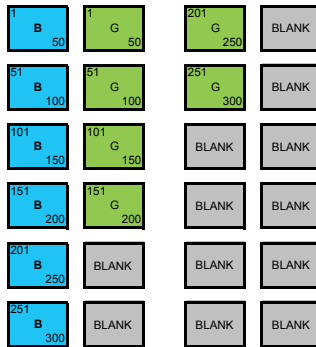


Fig. 27

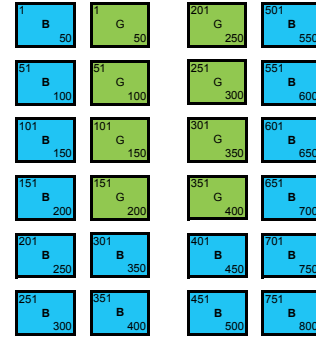


Fig. 28



FRONT SIDE

BACK SIDE

Fig. 29

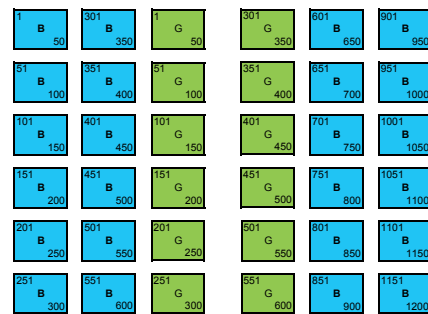
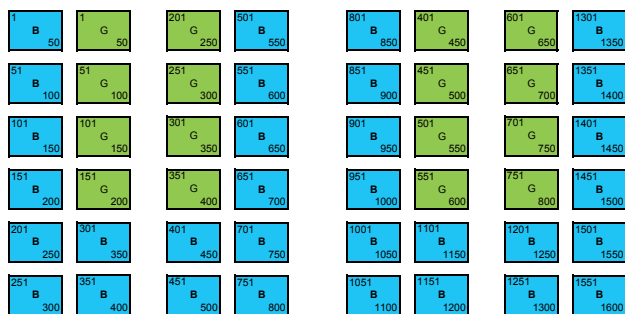


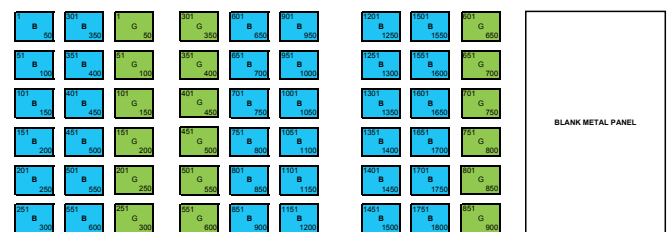
Fig. 30



FRONT SIDE

BACK SIDE

Fig. 31

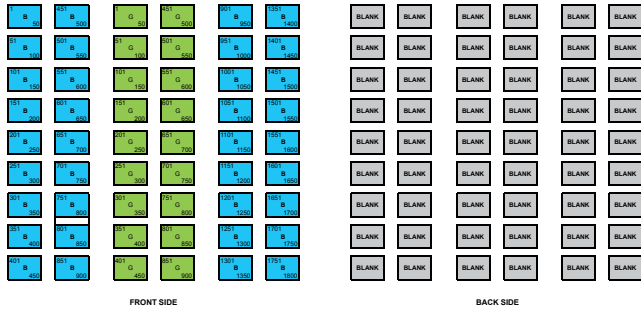


FRONT SIDE

BACK SIDE

Block Layouts (continued)

Fig. 32



Vertiv™ CXE UCX Series

Vertiv™ CXE UNX Series

Vertiv™ CXE AEX Series

Fig. 33

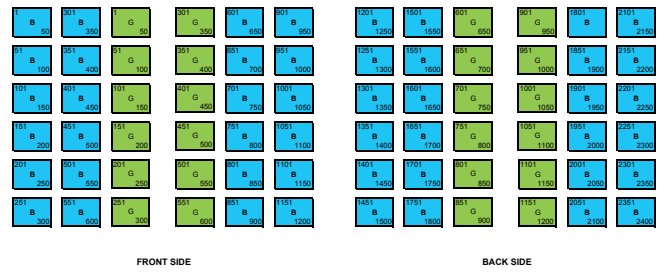


Fig. 34

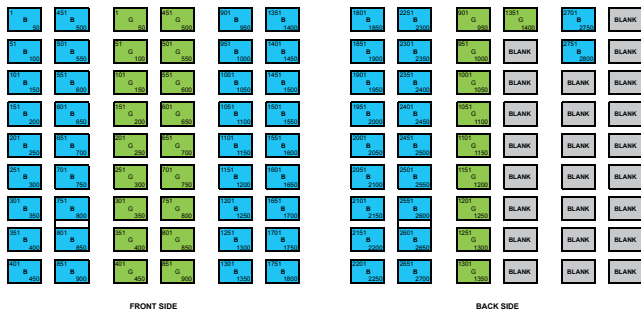


Fig. 35

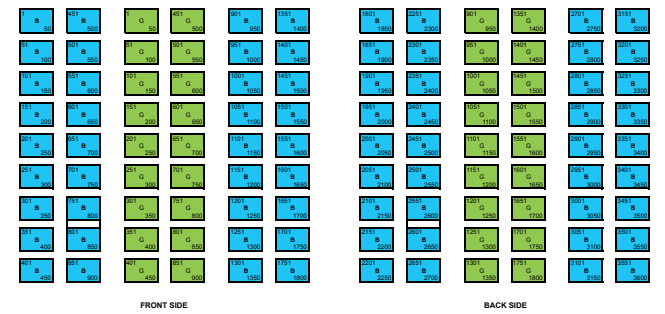


Fig. 36

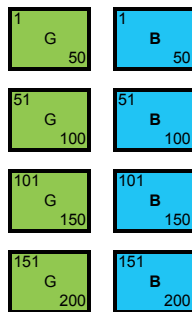
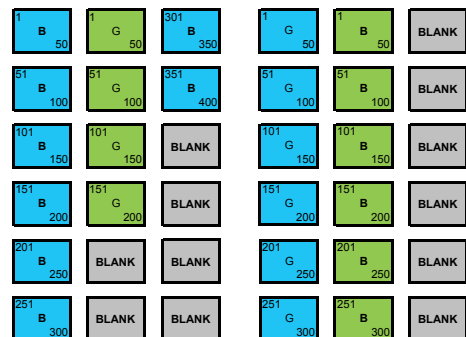


Fig. 37 – 2F4D / 3F3D



Block Layouts (continued)

Vertiv™ CXE UCX Series

Vertiv™ CXE UNX Series

Vertiv™ CXE AEX Series

Fig. 38

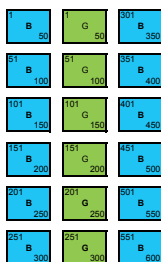


Fig. 39

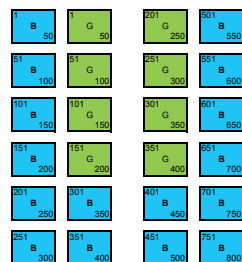


Fig. 40

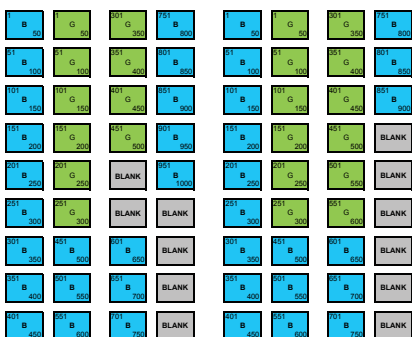


Fig. 41

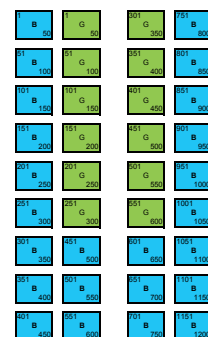
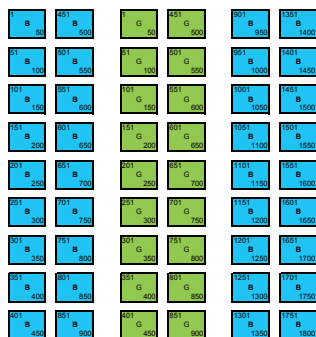


Fig. 42



Contact your local sales representative with questions or call 1-800-800-1280 for support.



Vertiv.com | Vertiv Headquarters, 1050 Dearborn Drive, Columbus, OH, 43085, USA

© 2022 Vertiv Group Corp. All rights reserved. Vertiv™ and the Vertiv logo are trademarks or registered trademarks of Vertiv Group Corp. All other names and logos referred to are trade names, trademarks or registered trademarks of their respective owners. While every precaution has been taken to ensure accuracy and completeness here, Vertiv Group Corp. assumes no responsibility, and disclaims all liability, for damages resulting from use of this information or for any errors or omissions. Specifications, rebates and other promotional offers are subject to change at Vertiv's sole discretion upon notice.

OE-01000 (R01/22)