

# Avocent® ACS8000 Advanced Console System



## Rack Mounting Guide

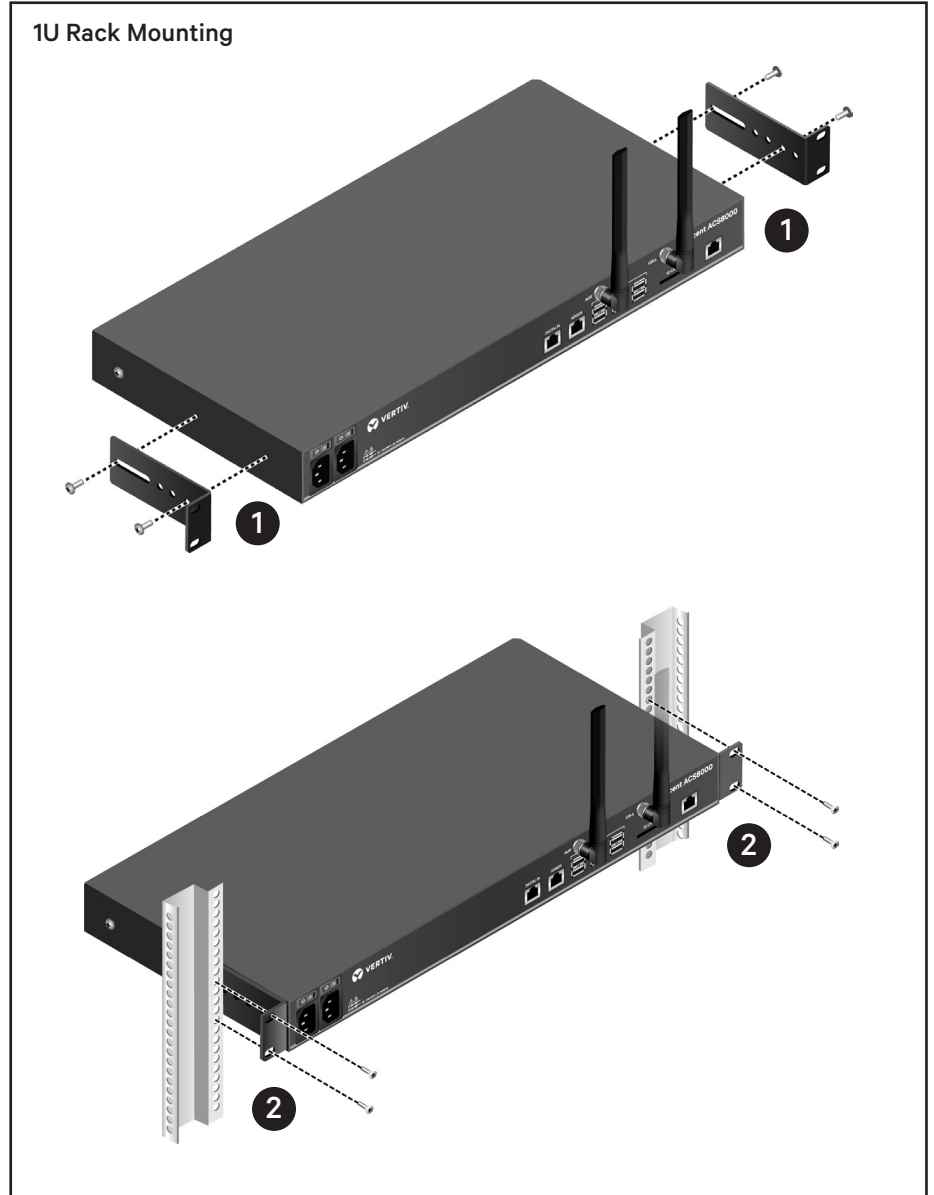
### 1U RACK MOUNT

#### 1. Attaching the brackets to the appliance

Remove the two screws (as shown in the figure) from each side of the Avocent® ACS8000 advanced console system. Secure the mounting brackets to the appliance using the supplied screws.

#### 2. Installing the appliance in the rack

Attach each mounting bracket to the desired U location using two appropriate-sized screws.



## OU RACK MOUNT

**CAUTION:** When mounting the equipment in the rack, make sure the mechanical loading is even to prevent a hazardous condition.

### 1. Attaching the brackets to the appliance

Remove the three screws from each side of the Avocent® ACS8000 advanced console system. Attach a left and right mounting bracket to each side of the appliance using the supplied screws. Leave the screws slightly loose to allow for bracket adjustment in the OU space.

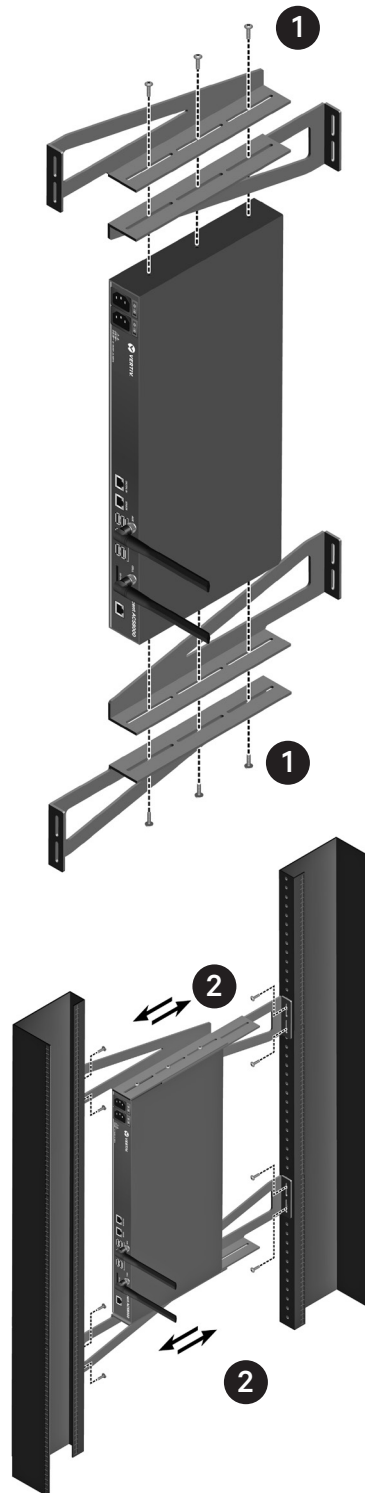
**NOTE:** Brackets can be attached in any of the three slots to adjust for the depth of your rack.

### 2. Installing the appliance in the rack

Align the mounting brackets to the desired OU location and secure each bracket to the appropriate rail using the supplied truss head screws and serrated flange locknuts. Secure the appliance by tightening the screws holding it to the brackets.

**NOTE:** Locknuts may not be required, depending on your installation environment.

OU Rack Mounting



---

A translated version of this document is available at  
<https://www.vertiv.com/en-us/products-catalog/monitoring-control-and-management/serial-consoles-and-gateways/avocent-acs-8000-serial-consoles/#/downloads>.

Eine übersetzte Version dieses Dokuments finden Sie unter  
<https://www.vertiv.com/en-us/products-catalog/monitoring-control-and-management/serial-consoles-and-gateways/avocent-acs-8000-serial-consoles/#/downloads>.

Une version traduite de ce document est disponible à l'adresse suivante :  
<https://www.vertiv.com/en-us/products-catalog/monitoring-control-and-management/serial-consoles-and-gateways/avocent-acs-8000-serial-consoles/#/downloads>.

Hay disponible la versión traducida de este documento en  
<https://www.vertiv.com/en-us/products-catalog/monitoring-control-and-management/serial-consoles-and-gateways/avocent-acs-8000-serial-consoles/#/downloads>.

---



**To contact Vertiv Technical Support: visit [www.Vertiv.com](http://www.Vertiv.com)**

© 2020 Vertiv Group Corp. All rights reserved. Vertiv™ and the Vertiv logo are trademarks or registered trademarks of Vertiv Group Corp. All other names and logos referred to are trade names, trademarks or registered trademarks of their respective owners. While every precaution has been taken to ensure accuracy and completeness here, Vertiv Group Corp. assumes no responsibility, and disclaims all liability, for damages resulting from use of this information or for any errors or omissions. Specifications, rebates and other promotional offers are subject to change at Vertiv's sole discretion upon notice.

