

Avocent® ADX RM1048P Rack Manager

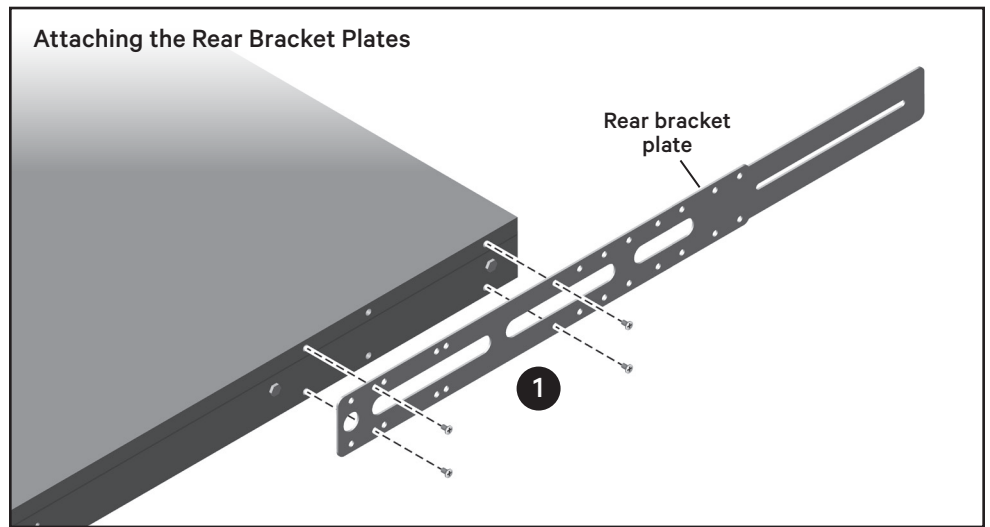


Quick Installation Guide

The following instructions will help you install your Vertiv™ Avocent® ADX RM1048P rack manager and configure it for remote access.

The RM1048P ships with the following default settings:

- DHCP, SSH and HTTPs are enabled.
- The console setup port is enabled.
- The management port is disabled.
- Downstream ports are enabled.
- The default user account is **admin**, with the default password **admin**. The first time you log in, you are prompted to create a new password.



RM1048P Rack Mounting

1. Attaching the rear bracket plates

NOTE: The rear bracket plate is designed to accommodate a variety of server cabinet depths. Determine the server cabinet depth, then select the appropriate bracket plate attachment hole pattern that, when attached to the appliance, will allow the bracket plate to extend just beyond the rear uprights.

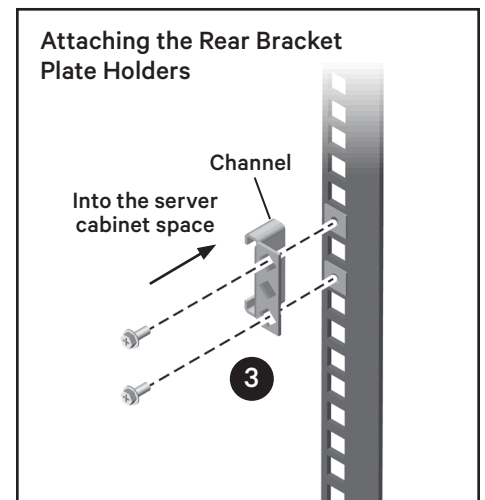
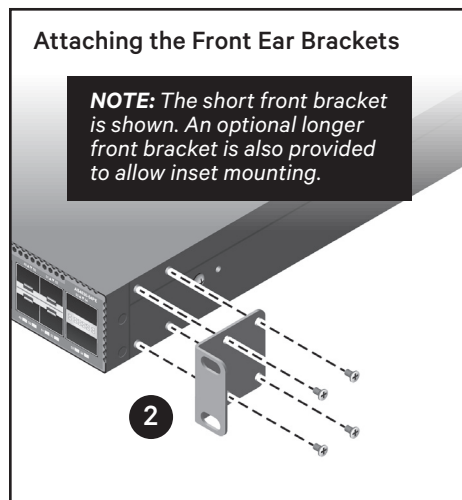
Using at least four of the provided screws, attach a rear bracket plate to one side of the RM1048P. Repeat for the opposite side.

2. Attaching the front ear brackets

Using the provided screws, attach the front ear brackets to the front four holes on each side of the RM1048P.

3. Attaching the rear bracket plate holders to the uprights

Using the appropriate hardware, attach the rear bracket plate holders to the rear two server cabinet uprights. Orient the brackets' channels so they protrude into the server cabinet space. Fasten in place with the appropriate hardware. Repeat for the opposite side.

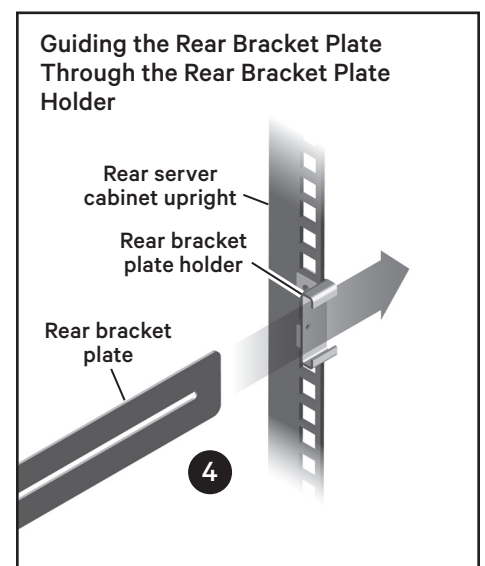


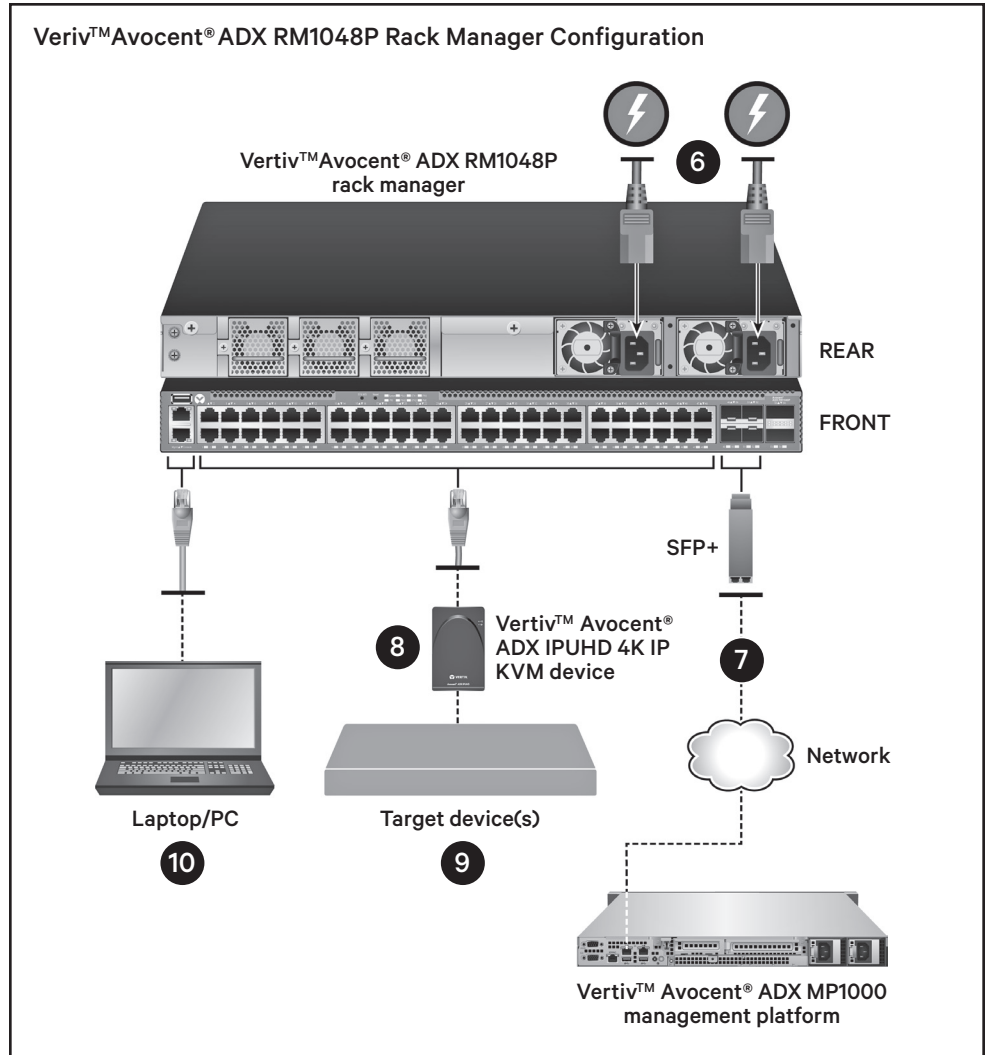
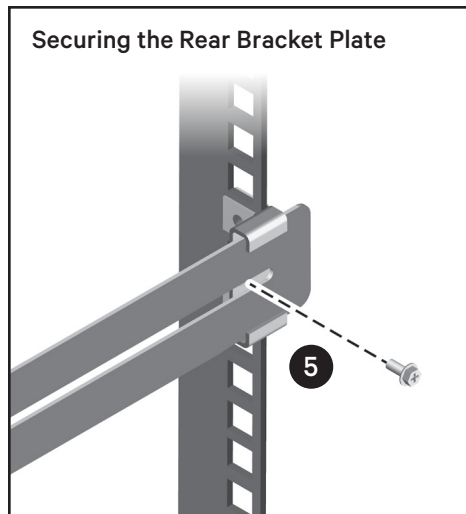
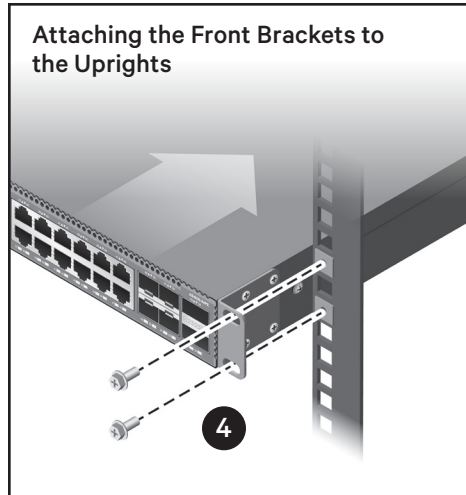
4. Attaching the front brackets to the uprights

Slide the RM1048P/bracket assembly into the selected 1U space. Guide the protruding rear bracket plate ends into the channels of the rear bracket plate holders attached to the rear server cabinet uprights. Using the appropriate hardware, attach the front brackets to the front two server cabinet uprights.

5. Securing the rear bracket plate

Insert a supplied screw through the rear slot of each rear bracket plate and into the threaded hole of their respective rear bracket plate holders.





Tighten the screws to firmly secure the rear bracket plate to its rear bracket plate holder.

RM1048P Connection and Configuration

CAUTION: For a safe and reliable installation, use only the accessories and screws provided with the rack manager. Use of other accessories and screws could result in damage to the unit. Any damages incurred by using unapproved accessories are not covered by the warranty.

6. Connecting power

Connect power cords from a properly grounded electrical outlet or power distribution unit (PDU) to

both power supply unit (PSU) ports on the right rear of the rack manager. Verify power by checking the PSU LEDs. The PSU1/PSU2 LEDs illuminate green in normal operation.

7. Connecting to the network

Install up to four SFP+ transceivers into ports 49-52. These SFP+ transceivers must be 10Gb and connected to your 10Gb network.

NOTE: Two SFP+ 10Gb copper transceivers are included with the RM1048P. They must be installed in ports 49 and 50 (the two ports on the left). For more information on configuring ports 49-52, see the Vertiv™ Avocent® ADX RM1048P Rack Manager Installer/User Guide.

8. Connecting to the Vertiv™ Avocent® ADX IPUHD 4K IP KVM device

Connect one end of a CAT 5e or CAT 6 cable into PoE ports 1-48 and attach the opposite end to the LAN1 port of an IPUHD.

9. Connecting to the target device

NOTE: For connection options between the IPUHD and the target device, please see the Quick Installation Guide included with each IPUHD.

10. Assigning an IP address

By default, an IP address is obtained via DHCP. You can also configure a static IP via the rack manager console port.

To view the DHCP-assigned IP address or to configure a static IP address, perform the following steps:

- a. Make a serial connection to the console port of the RM1048P using serial settings of 115200 bps, no parity, 1 stop bit, 8 data bits and no flow control.
- b. In the Command Line Interface (CLI), log in using **admin** as the username and password. You are prompted to change the password.
- c. Select the option to show or configure network settings.
- d. Select the Vrf_app0 option.

NOTE: *The IP address assigned by the DHCP server is visible once this option is selected. This address can be entered into a web browser to access the web user interface (UI).*

- e. To assign a static IP address, select the applicable option and follow the on-screen prompts to configure the IP, subnet and gateway.
- f. Type **..** (two periods) and press **Enter** to return to the previous menu.
- g. Select the Vpp0 option; an IP address must also be assigned to this network interface.

- h. Select the static IP option and follow the on-screen prompts to configure the IP, subnet and gateway.
- i. Type **0** (zero) and press **Enter** to exit to the main menu.
- j. Select the option to reboot the rack manager.
- k. Once the rack manager reboots, enter the IP address assigned to Vrf_app0 into a web browser to access the web UI.

For more information, see the Vertiv™ Avocent® ADX RM1048P Rack Manager Installer/User Guide available at www.vertiv.com/ADX-Rack-Manager.



Hay disponible la versión traducida de este documento en www.vertiv.com/ADX-Rack-Manager.

To contact Vertiv Technical Support: visit www.Vertiv.com

© 2021 Vertiv Group Corp. All rights reserved. Vertiv™ and the Vertiv logo are trademarks or registered trademarks of Vertiv Group Corp. All other names and logos referred to are trade names, trademarks or registered trademarks of their respective owners. While every precaution has been taken to ensure accuracy and completeness here, Vertiv Group Corp. assumes no responsibility, and disclaims all liability, for damages resulting from use of this information or for any errors or omissions. Specifications, rebates and other promotional offers are subject to change at Vertiv's sole discretion upon notice.

