

Avocent® ADX IPSL IP Serial Device



Quick Installation Guide for Configuration with a Vertiv™ Avocent® ADX RM1048P Rack Manager

NOTE: These instructions are for configuring the Vertiv™ Avocent® ADX IPSL serial device with a Vertiv Avocent ADX RM1048P Rack Manager.

NOTE: All CATx cables referenced in these instructions are CAT5e or greater.

For instructions on using the IP serial device powered by non-Vertiv Power over Ethernet Plus (PoE+) port devices or a Vertiv™ Avocent® ADX IPPS power supply, see the following pages.

1. Powering the IP serial device

Using a CATx cable, connect the LAN 1 (PoE+) port of the IP serial device to one of the PoE+ ports on the rack manager.

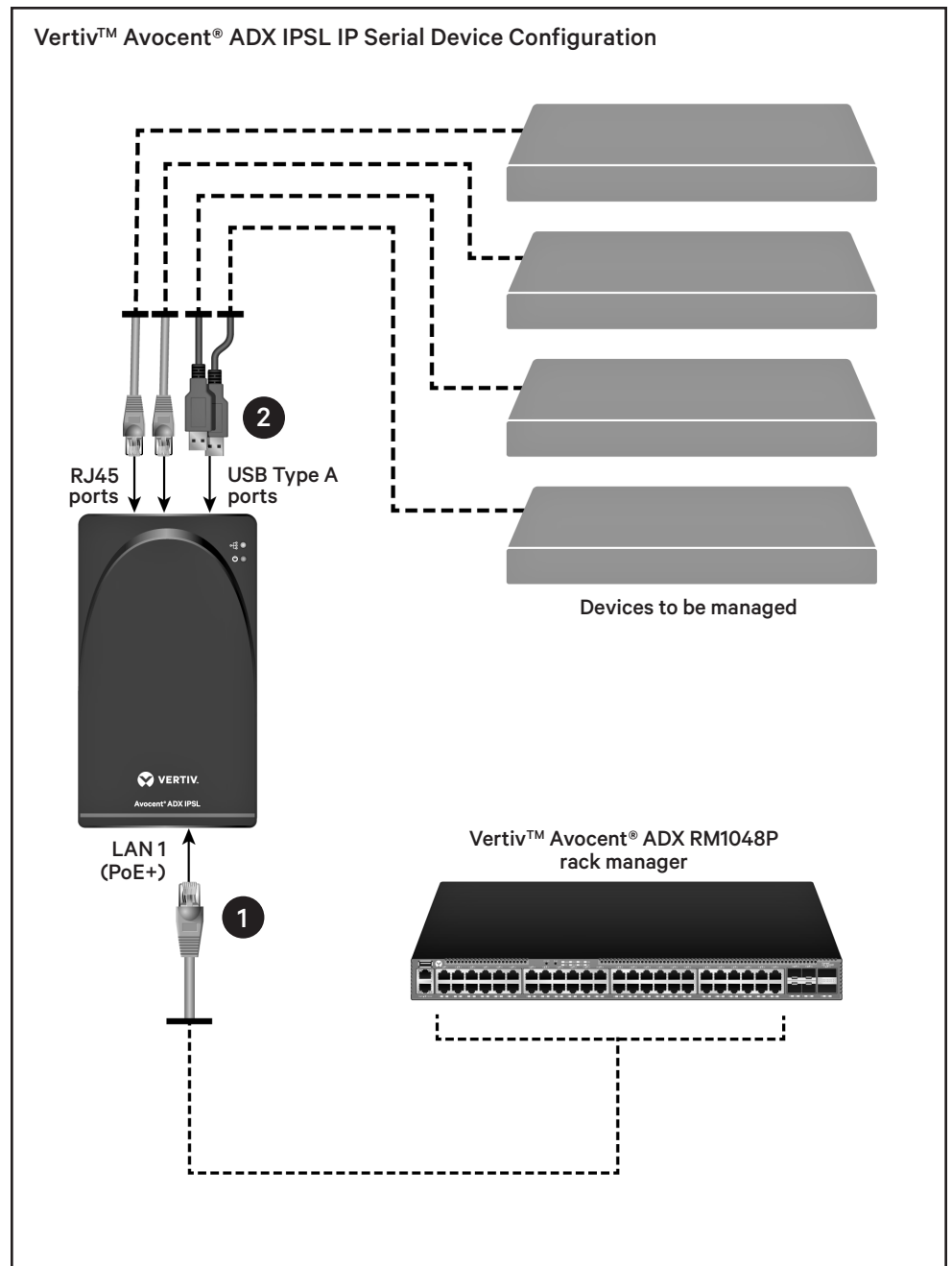
The power LED blinks red when power is applied, then turns solid red to indicate it is ready for operation.

2. Connecting to a managed device

The rear ports on the IP serial device (two RJ45 and two USB Type A) allow connection to and management of up to four managed devices. For each device you wish to manage, insert one end of a CATx or USB Type A cable into its appropriate port on the rear of the IP serial device, then directly connect the other end to the managed device.

NOTE: If connecting an RJ45 port to a DB9 port on a managed device, an RJ45 to DB9 adapter may be used. If connecting a USB Type A port to a RS232 port on a managed device, use a USB-to-RS232 adapter with one of these three popular chipsets: Prolific, FTDI or CP210X. For ordering details, please contact your Vertiv representative.

NOTE: In configurations with a rack manager, the IP serial devices are auto-discovered and require no additional first time setup.



Avocent® ADX IPSL IP Serial Device

Quick Installation Guide for Configuration With Other Devices or Power Supplies

NOTE: These instructions are for configuring a Vertiv Avocent ADX IPSL serial device powered by either a Vertiv™ Avocent® ADX IPPS power supply or by a device connected via a Power over Ethernet Plus (PoE+) port.

NOTE: All CATx cables referenced in these instructions are CAT5e or greater.

1. Powering the IP serial device

You may power the IP serial device with a Vertiv Avocent ADX IPPS power supply or by connecting the IP serial device to a powered network switch (via a PoE+ port). If you are using a network switch to power your IP serial device, proceed to step 2.

To power the IP serial device with the power supply, insert the appropriate end of the power supply into the DC power port of the serial device and plug the other end into an appropriate power source. The power LED blinks red when power is applied, then turns solid red or green to indicate it is ready for operation.

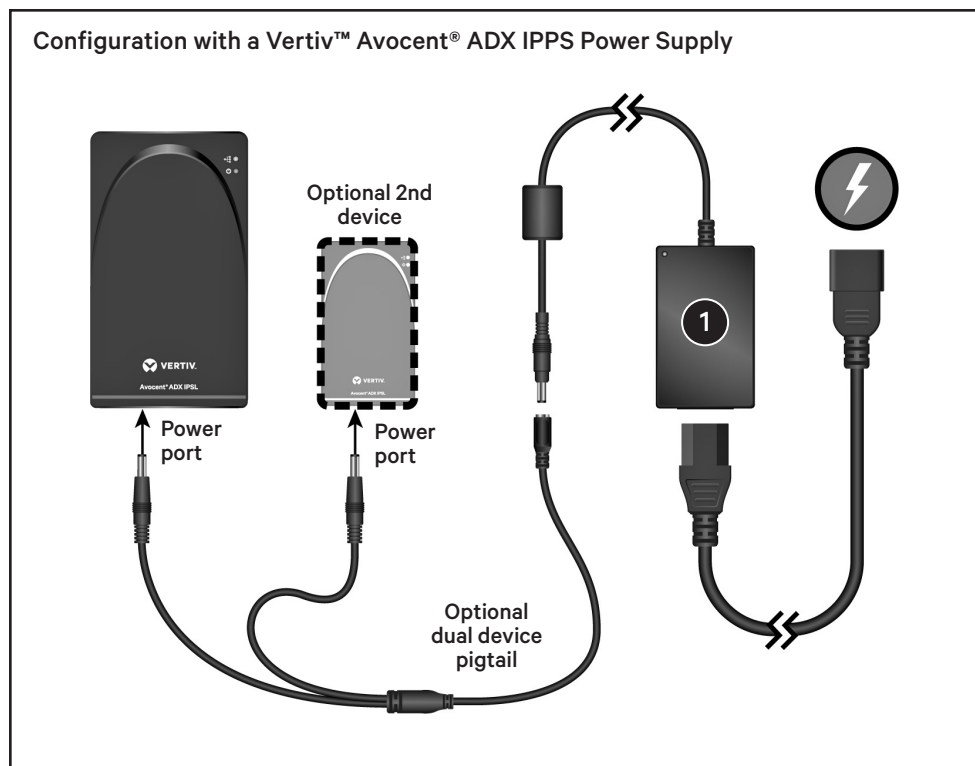
NOTE: Each IPPS power supply can support two IP serial devices.

2. Connecting to a network switch

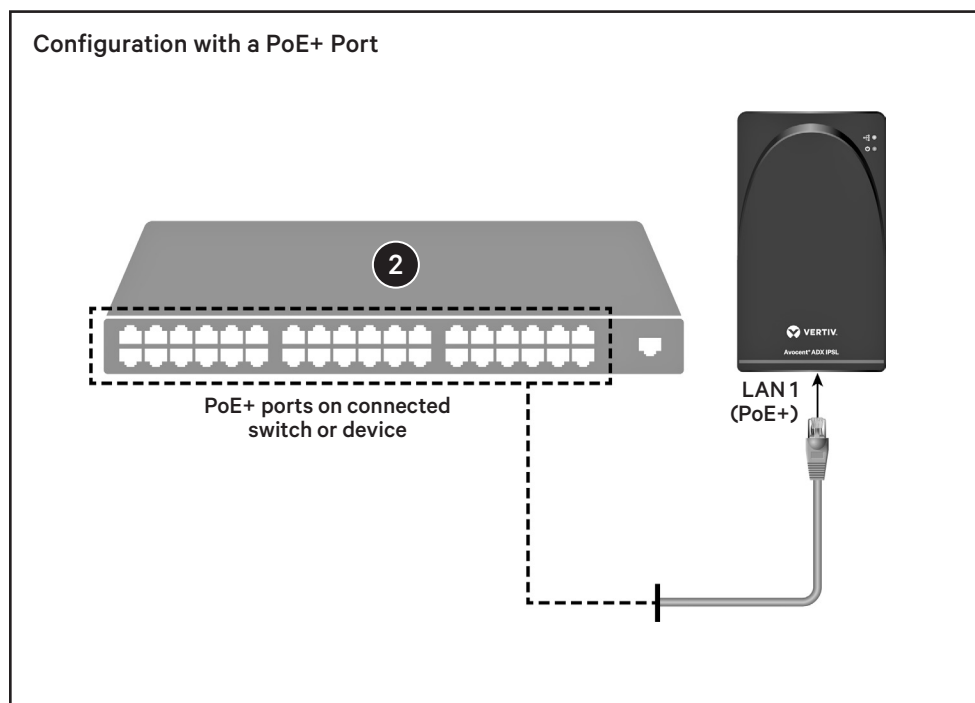
Use a CATx cable to connect the LAN 1 port of the IP serial device to a port on your network switch or device.

NOTE: If following the PoE configuration, the port you connect to must be the PoE+ port on your network switch/device. The IP serial device requires an 802.3 Type 2 (30W) PoE+ port.

Configuration with a Vertiv™ Avocent® ADX IPPS Power Supply



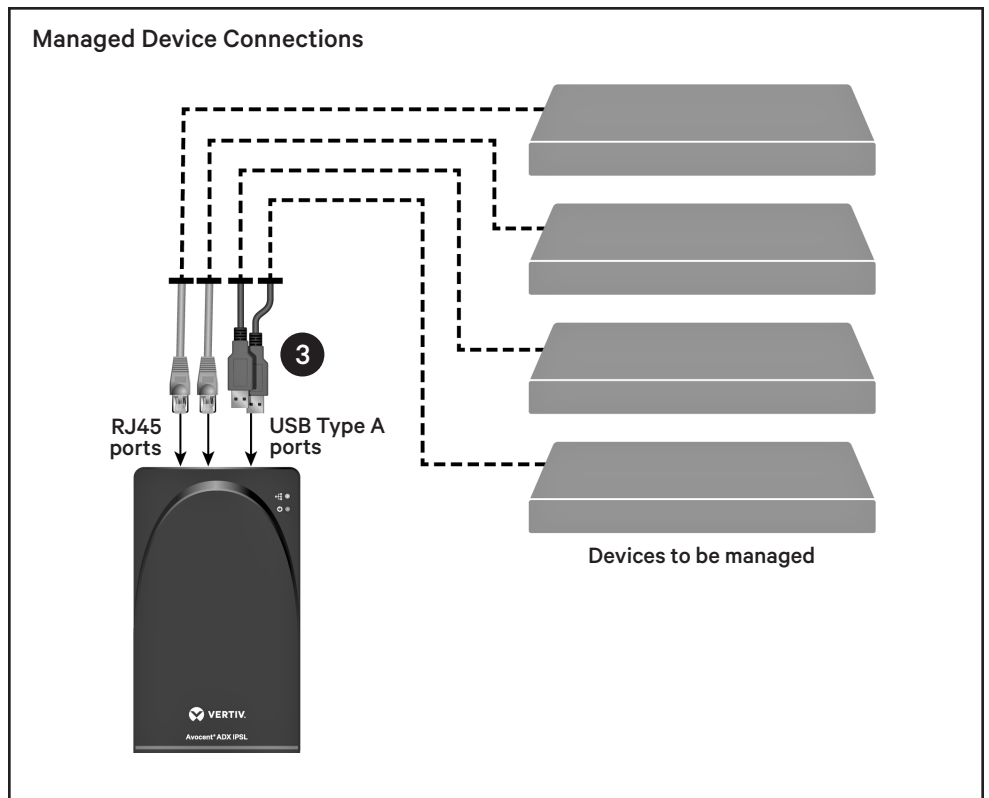
Configuration with a PoE+ Port



3. Connecting to a managed device

The rear ports on the IP serial device (two RJ45 and two USB Type A) allow connection to and management of up to four managed devices. For each device you wish to manage, insert one end of a CATx or USB Type A cable into its appropriate port on the rear of the IP serial device, then directly connect the other end to the managed device.

NOTE: If connecting an RJ45 port to a DB9 port on a managed device, an RJ45 to DB9 adapter may be used. If connecting a USB Type A port to a RS232 port on a managed device, use a USB-to-RS232 adapter with one of these three popular chipsets: Prolific, FTDI or CP210X. For ordering details, please contact your Vertiv representative.

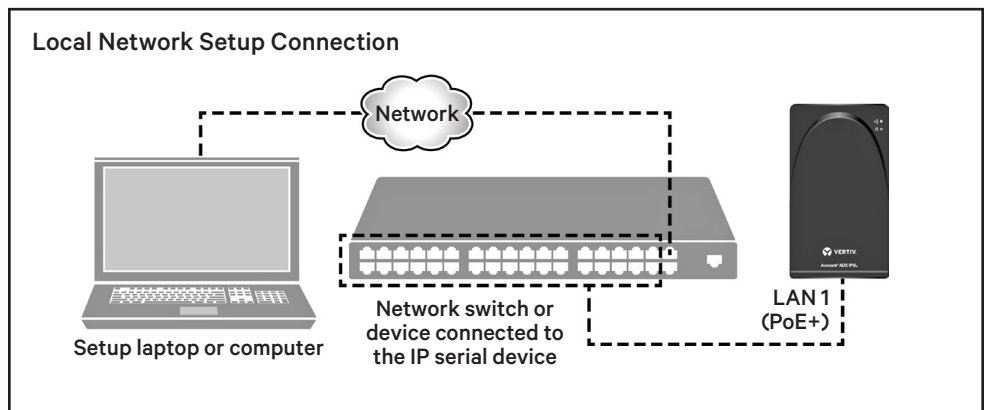


First time IP serial device setup

By default, a DHCP server on the network assigns an IP address to the IP serial device. To connect to the web user interface (UI), enter the IP address from the DHCP server as **https://<IPaddr>** in a web browser.

If the assigned IP address is unknown, complete the following additional connection and configuration steps.

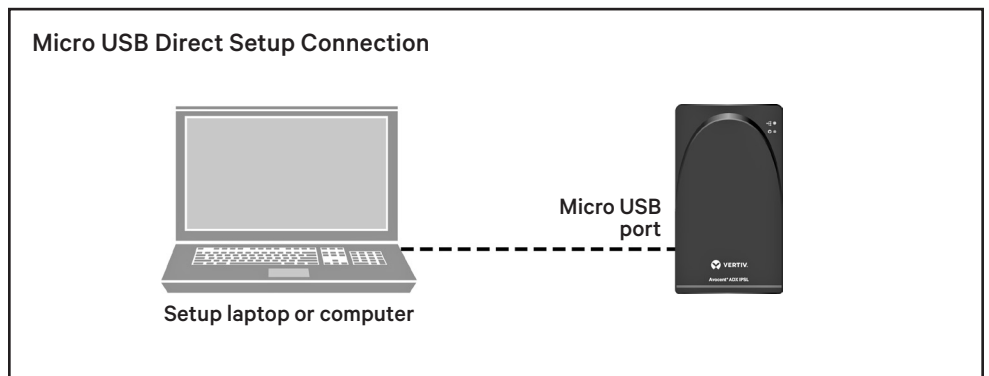
NOTE: Before connecting another computer, ensure it either has a minimum of Windows 10 installed or has the Bonjour protocol installed (default on Mac OS computers).



Establishing another connection

To establish an additional connection, either connect another computer to the same local network to which the IP serial device is connected, or connect a micro USB cable from the IP serial device micro USB port to another computer.

NOTE: Ensure that a new USB-NIC network interface was created automatically on the computer.



Finding the assigned IP address

From a web browser, enter:

https://ipsl-<macaddr-LAN1>.local,
where macaddr-LAN1 is the MAC on
the sticker of the IP serial device.

For example: <https://ipsl-12a4dc3255b0.local>.

NOTE: *When using a USB connected to a laptop, if the hostname is not found, you may use this predefined IP address instead: <https://169.254.0.10>. The predefined IP address will not work if using a LAN connection.*

When the URL is entered into the browser, the IP serial device web UI appears.

Log in with the default username/ password of **admin/admin**.

You may be asked to change the password on first login.

From the web UI, navigate to *Configuration - Network - eth0* to find the assigned DHCP IP address or change any desired Network settings (for example, change to a static IP address).

Changing the mode

By default, the IP serial device is managed by a rack manager (Managed mode). To use the IP serial device with a power supply, select *Configuration - Registration* in the web UI and select Standalone under the Mode heading.

Hay disponible la versión traducida de este documento en www.vertiv.com/ADX-IPSL.

To contact Vertiv Technical Support: visit www.Vertiv.com

© 2022 Vertiv Group Corp. All rights reserved. Vertiv™ and the Vertiv logo are trademarks or registered trademarks of Vertiv Group Corp. All other names and logos referred to are trade names, trademarks or registered trademarks of their respective owners. While every precaution has been taken to ensure accuracy and completeness here, Vertiv Group Corp. assumes no responsibility, and disclaims all liability, for damages resulting from use of this information or for any errors or omissions. Specifications, rebates and other promotional offers are subject to change at Vertiv's sole discretion upon notice.

