

Vertiv™ Geist™ Upgradeable PDU and Universal PDU



Quick Installation Guide

Installing the rPDU

- Using appropriate hardware, mount the unit to the rack.
- Plug the PDU into an appropriately rated and protected branch circuit receptacle.

WARNING! PDUs supplied with external ground stud have high touch current. Earth connection is essential prior to connecting supply.

A #8 grounding stud, ring terminal and nut have been provided on the face of the device to facilitate attachment to earth. Reference the conductor size in the power cord and PDU rating for appropriate sizing of the external earth conductor. Affix the provided ring terminal to this wire, following manufacturer's installation instructions. Place the ring terminal on the grounding stud and torque the nut to the appropriate torque listed in the table below. Attach the other end of the conductor to your facility's earthing system.

- Plug in the devices that are to be powered by the PDU.
- Power-on the devices that are to be powered by the PDU.

NOTE: Sequential power-up is recommended to avoid high inrush current.

Installing the Universal PDU:

The Universal Power Distribution Units (UPDU) are equipped with a 7 or 8-wire Panel Mount connector. These units are intended to be mated with a Facility Side Cable (FSC) available for the unit. The FSC connects to a single-phase AC Mains circuit, a 3-phase WYE or Delta AC Mains circuit. The Universal PDUs are

Environmental

Temperature	Operating	Storage
Basic, Upgradeable Basic, Metered, Unit Monitored	0°C to 60°C (32°F to 140°F)	-40°C to 70°C (-40°F to 158°F)
Upgradeable Switched, Outlet Monitored –Horizontal	0°C to 60°C (32°F to 140°F) 48A Max	-40°C to 70°C (-40°F to 158°F)
Upgradeable Switched, Outlet Monitored – Vertical	0°C to 60°C (32°F to 140°F) at 50% per receptacle load	-40°C to 70°C (-40°F to 158°F)
Universal Power Distribution Unit	0°C to 60°C* (32°F to 140°F)	-40°C to 70°C (-40°F to 158°F)
NOTE: DU00X2R1-18C137-0H02A9F00-S is 45°C (113°F) maximum (100% of maximum current rating) / 60°C (140°F) maximum (50% of maximum current rating)		
Humidity	Operating	Storage
All PDUs	5% to 95% (non-condensing)	5% to 95% (non-condensing)
Elevation	Operating	Storage
All PDUs	0 m to 3,050 m (0 ft. to 10,000 ft.)	0 m to 12,200 m (0 ft. to 40,000 ft.)

Stud/Nut/Size	Wire Size	Torque -in.-lb. (Nm)
#8	<8AWG (10mm ²)	16.5 (1.86)
#8	8AWG (10mm ²)	27 (3.05)
M5	<8AWG (10mm ²)	16.5 (1.86)
M5	8AWG (10mm ²)	27 (3.05)
1/4"-20*	>8AWG (10mm ²)	27 (3.05)
NOTE: The wire retaining set screw in the associated terminal must be torqued to 16.5 in-lb (1.86 NM).		

provided with IEC C13- and/or IEC C19-type outlets for connection to external devices.

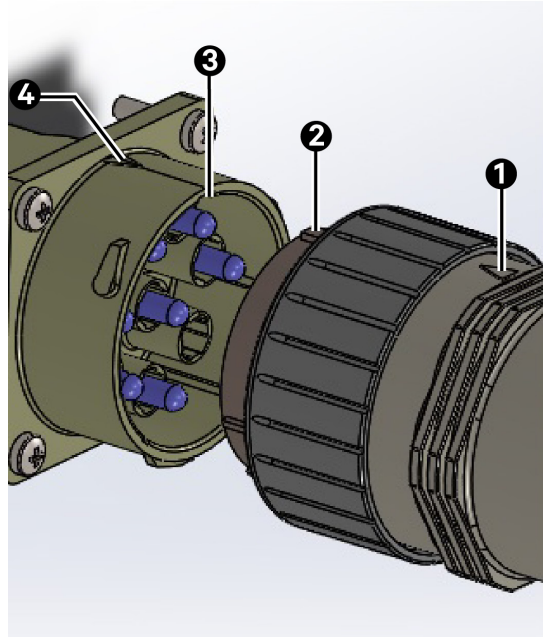
IMPORTANT: Mount the UPDU to the rack before plugging the FSC into UPDU. Ensure that the plastic guide on the FSC plug is in line with the channel of the UPDU inlet to properly plug in the FSC. See image below for reference points on the outer shells of connectors.

- Using appropriate hardware, mount the unit to the rack.
- Plug the FSC into the Universal PDU.

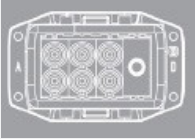
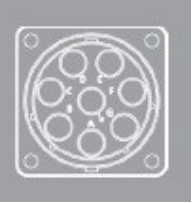
NOTE: It may be necessary to install a cable support in order to reduce strain on the Panel Mount connector.

3. Plug the FSC into an appropriately rated and protected branch circuit.
4. Plug in the devices to be powered by the Universal PDU.

NOTE: For devices powered by the Geist UPDU, sequential power up is recommended to avoid high inrush current.



Item	Description	Item	Description
1	Plug Reference Point	3	Inlet Channel
2	Plug Plastic Guide	4	Inlet Reference Point

Input Rating			Facility Side Cable	# Of Circuit Breakers	Panel Mount Connector
Current (MAX)	Voltage	Frequency			
24A	200 to 240 VAC	50/60 Hz	Single-Phase	6	 7-Wire, 3 Inch
40 A	200 to 240 VAC, 3W+PE	50/60 Hz	4-wire Delta	6	
24 A (UL) / 32 A (CE)	200 to 240/346-415 VAC, 3W+N+PE	50/60 Hz	5-wire WYE	6	
48 A	100 to 240 VAC	50/60 Hz	Single-Phase	3	 8-Wire, 1.5 Inch
24 A	100 to 240 VAC 3~	50/60 Hz	4-wire Delta	3	
16 A	100 to 240/208-415 VAC 3~	50/60 Hz	5-wire WYE	3	
48 A (UL) / 63 A (CE)	100 to 240 VAC	50/60 Hz	Single-Phase	6	
48 A	100 to 240 VAC 3~	50/60 Hz	4-wire Delta	6	
24 A (UL) / 32 A (CE)	100 to 240/208-415 VAC 3~	50/60 Hz	5-wire WYE	6	

Configuring IP Addressable Units

The PDU is equipped with an RJ45 Ethernet port for connection to an existing network. The PDU is configured with the following default network settings to allow unit configuration:

- IP address: 192.168.123.123
- Subnet Mask: 255.255.255.0
- Gateway: 192.168.123.1

The local PC network connection must be configured as follows:

- IP Address: 192.168.123.x (where x is 2-253, except 123)
- Subnet Mask: 255.255.255.0
- Gateway: <leave blank>

To Replace The IMD Module:

IMPORTANT: Photos for these steps are shown on next page.

NOTE: Be sure to have the new IMD module ready for installation immediately after removal of the old IMD.

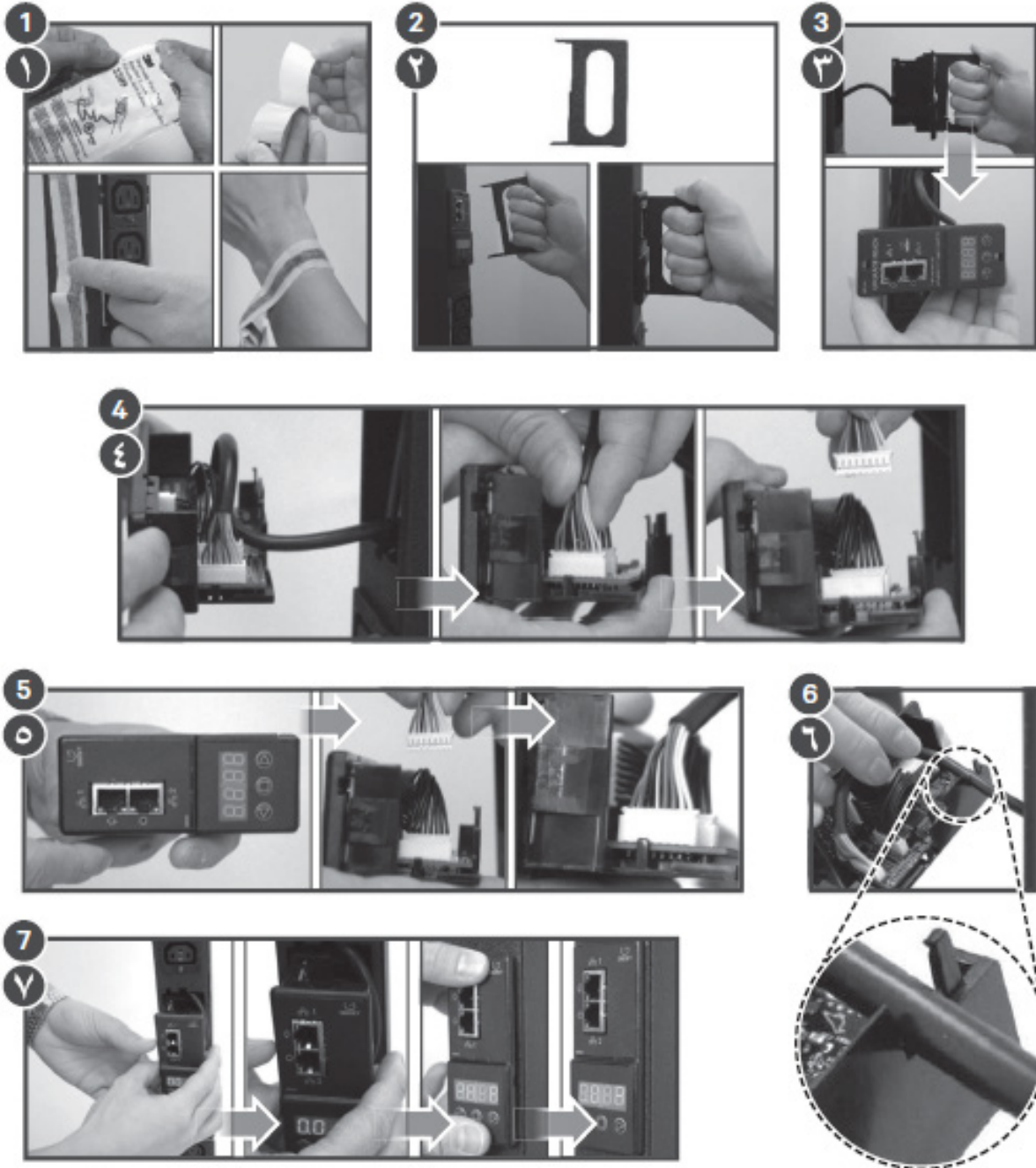
1. Remove the disposable ESD wriststrap from the package, remove the adhesive backing and attach the strap to the PDU. Put the wriststrap on your arm so that it has contact with bare skin.
2. Insert the Vertiv IMD Removal Tool as shown. Be sure to press the tool in level, pressing in until the tool is flush with the face of the IMD. Some older versions may require overlays to be removed prior to inserting the tool.
3. Carefully pull the tool and the IMD straight out about 2 inches. Remove the tool from the IMD.

CAUTION: The IMD is still connected internally. Do not pull it more than 2 inches from the chassis.

4. Gently unplug the connector from the IMD.

IMPORTANT: Ensure that you have the wrist strap on before proceeding. See Step 1 for more information.

5. Connect the cable to the replacement IMD module.
6. Place the cable into the strain-relief slot in the IMD's housing as shown.
7. Tuck the excess cable back into the PDU, and slide the IMD straight in. Press with both thumbs until the IMD snaps into place.



To contact Vertiv Technical Support: visit www.Vertiv.com

© 2021 Vertiv Group Corp. All rights reserved. Vertiv™ and the Vertiv logo are trademarks or registered trademarks of Vertiv Group Corp. All other names and logos referred to are trade names, trademarks or registered trademarks of their respective owners. While every precaution has been taken to ensure accuracy and completeness here, Vertiv Group Corp. assumes no responsibility, and disclaims all liability, for damages resulting from use of this information or for any errors or omissions. Specifications, rebates and other promotional offers are subject to change at Vertiv's sole discretion upon notice.

