



Product brochure

# Vertiv™ Liebert® GXT5 Lithium-Ion UPS

1000 - 3000VA 120V

Intelligent and efficient double conversion online  
UPS offers the highest level of power protection



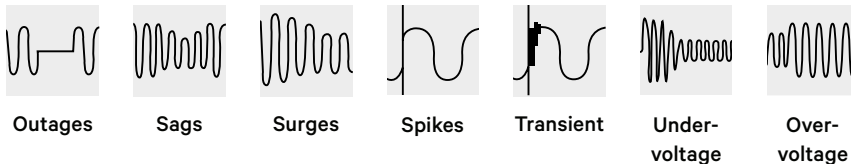
The Vertiv™ Liebert® GXT5 Lithium-Ion UPS provides the highest level of power protection for your business critical IT applications.

### High performance online power protection

The Vertiv Liebert GXT5 Lithium-Ion double conversion online UPS provides both the highest level of power conditioning and battery backup for business critical IT equipment such as business network gear and servers enabling your mission-critical applications are protected in the event of an unanticipated loss of power or an unprecedented power surge.

The Vertiv Liebert GXT5 Lithium-Ion UPS protects against the widest range of power fluctuations and automatically switches to battery backup when power loss is detected. With a 0.9 or better output power factor (PF) and no transfer time to operation on battery, you can ensure your most critical assets are protected.

#### Protects against



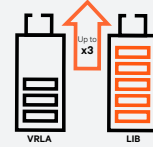
The rack/tower convertible design of the Vertiv Liebert GXT5 Lithium-Ion UPS makes it ideal for edge or distributed IT applications where floor space is at a premium. It is a true low-maintenance, set-it and forget-it solution ideal for remote locations with limited onsite technical resources.

### Vertiv™ Liebert® GXT5 Lithium-ion overview

- 1000VA, 1500VA, 2000VA, & 3000VA UPSs in a rack/tower convertible form factor
- Standard 5-year warranty provides peace of mind that your investment is protected against potentially costly equipment failures
- Achieve the lowest total cost of ownership over the lifetime of the UPS with fewer battery replacements and up to 10 years of useable life
- Hot-swappable, user-replaceable batteries increase the useable life of the UPS by allowing you to easily replace the batteries without disrupting power to connected equipment
- Internal batteries offer industry-leading runtime (up to 14 minutes at full load) to protect critical equipment during an unexpected power loss
- Lithium-Ion battery technology offers better performance in high temperature environments, supports up to 10 times more discharge cycles, and delivers faster recharge times compared to VRLA batteries

### Why should you choose Lithium-Ion Technology?

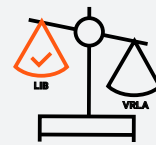
#### Longer life



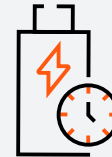
#### Lowest TCO



#### Small and lighter



#### Longer runtime



#### Environmentally friendly



#### Fast battery recharge





Lithium-Ion technology delivers up to 3 times the life expectancy of lead-acid batteries and lowers the total cost of ownership by nearly half.

### Lithium-Ion Outperforms VRLA when compared

Battery feature	VRLA battery	Lithium-Ion battery	Lithium-Ion benefit
Standard battery life	3-5 years	8-10 years	Up to 3 times longer life
Typical cycle life	200-260	2000	Up to 10x more discharge/recharge cycles
Battery recharge time (@ 90%)	3-6 hours	<2 hours	Fast recovery time safeguards your critical IT equipment in the event of multiple outages
Battery weight	10.9 kg	5.9 kg	45% lighter making it ideal for small spaces and wall-mount racks
Warranty	2 or 3 years	5 years	Worry free operation so you can set-it and forget-it

Visit the TCO calculator at [vertiv.com](http://vertiv.com) -> Products & Services -> UPS -> GXT5 Lithium -> Models to calculate the cost savings for your installation.

**Vertiv™ VR Rack**  
Self-contained 42U server rack designed to simplify equipment installation and provides an additional 6cm of useable depth.

**Vertiv™ rPDU**  
Reliable power distribution with outlet level remote monitoring and management providing the highest level of power visibility and control.

**Cable and air flow management**  
Included accessories enable proper cable management and airflow to keep your equipment cool.

**Software and IT Management**  
Monitor the entire system either locally or remotely to enable you are alerted of out-of-range conditions that could result in costly downtime.

**Vertiv™ Liebert® GXT5 Lithium-Ion UPS**  
Protect mission critical equipment in the event of power loss or extreme power fluctuations.

**Vertiv™ VRC**  
Keep critical IT equipment cool with a dedicated high-efficiency rack-mount cooling system with scalable capacity.

Visit [Vertiv.com](http://Vertiv.com) or contact a Vertiv Sales Representative today to find out how Vertiv can help you configure an all-in-one infrastructure solution.

## How you benefit from the Vertiv™ Liebert® GXT5 Lithium-Ion UPS

### High performance

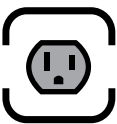


**0.9 (or Better) Output Power Factor (PF):** provides more useable power enabling you to connect more equipment saving you money and space.



**Increased runtime:** internal batteries offer up to 14 minutes of runtime at full load.

**Programmable outlet group:** extend run time when on battery power by power-cycling connected equipment and shedding less critical loads.



**Battery backed outlets:** up to 7 battery backed outlets enabling critical equipment is protected.

**Advanced warning status:** receive early audible and visual alarms warning you of system status to alert you to an input voltage, output overload, low battery, or battery replacement condition.

**Wide input voltage range:** prolong battery life by allowing the ups to maximize the use of the utility power before transferring to battery.

### Superior battery technology



**Fewer battery replacements:** Lithium-Ion batteries require fewer battery replacements and last on average up to 3 times as long as traditional VRLA batteries reducing maintenance, labor, and replacement costs (lower TCO).

**More discharge cycles:** Lithium-Ion batteries deliver up to 10 times more charge / discharge cycles than VRLA batteries.

**Fast recharge:** Lithium-Ion batteries recharge twice as fast as traditional VRLA batteries getting you back to 90% in as little as 2 hours.

**Hot-swappable, user-replaceable batteries:** increase product life and reliability with batteries that can be easily replaced without disrupting power to connected equipment.

**Safe and reliable:** safest Lithium-Ion (LiFePO<sub>4</sub>) battery chemistry and integrated battery management system (BMS) ensure safe and reliable operation.

**Environmentally friendly:** significantly reduce battery disposal and recycling with lower replacement rates.

### Enhanced manageability



**LCD Display:** User-friendly full-color LCD interface with gravity sensing orientation simplified installation and configuration while also providing instant at-a-glance status and insights.

**Free power management software:**

- Vertiv™ [Power Insight](#) – add the Vertiv™ Liebert® RDU120 card for web/SNMP manageability
- Vertiv™ [Power Assist](#) – monitor UPS conditions through a local USB connection
- Vertiv™ Intelligence Director – together with Vertiv™ rPDU one single IP Address to monitor and manage up to 50 devices



**Remote monitoring and management:** add an optional Vertiv™ Liebert® IntelliSlot™ RDU120 communication card to enable remote monitoring / management (web based, SNMP, BACnet, MODBUS and relay contacts) and environmental monitoring via external sensors.

**Remote emergency power off:** remotely shutdown the ups during an emergency.



## Vertiv™ Liebert® GXT5 Lithium-Ion features



### High power factor (0.9-1.0)

More usable power enables more connected loads saving space and costs.

### Efficiency (up to 95%) in online mode

Energy Star 2.0 certification. Higher efficiency means an optimized energy management and lower heat dissipation, for energy savings and improved reliability.



### Efficiency (up to 98%) in Active ECO mode

Superior protection with maximum efficiency.

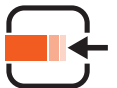
### Colored graphic LCD with gravity sensitive orientation

User-friendly interface provides insight to UPS status for easy installation, configuration and operation.



### Compact rack/tower design

Space-saving UPS provides rack space optimization and flexible installation.



### Battery cabinets with auto-detection

Be confident the UPS is set up correctly to report available runtime when used with external battery cabinets.



### Product warranty

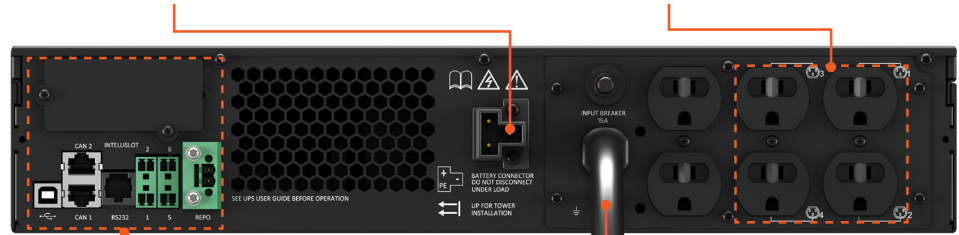
Comprehensive coverage through a standard five-year advanced exchange warranty.



### 1000-1500VA – 120V Rack/Tower

**External battery connector**  
 Scalable runtime solution supported for extended outage protection (up to 8 External Battery Cabinets)

**4 X individually controllable receptacle**  
 Manage load on battery and control unauthorized access to UPS receptacle



**Communications**  
 Vertiv™ Liebert® IntelliSlot™ (Web/SNMP Card), Serial Port, Dry Contacts, USB Port for Local and Remote Configuration and UPS Management

**NEMA 5/15P input with over current protection**  
 Simple installation and power on with connected input cord

### 2000VA – 120V Rack/Tower

**External battery connector**  
 Scalable runtime solution supported for extended outage protection (up to 8 External Battery Cabinets)

**NEMA L5-20R**  
 Support larger devices or rack PDU

**4x individually controllable receptacle, 2x always on receptacles**  
 Manage load on battery and control unauthorized access to UPS receptacle



**Communications**  
 Vertiv™ Liebert® IntelliSlot™ (Web/SNMP Card), Serial Port, Dry Contacts, USB Port for Local and Remote Configuration and UPS Management

**NEMA L5-20P input with over current protection**  
 Includes NEMA 5-20 Adapter for non-locking receptacles

### 3000VA – 120V Rack/Tower

**External battery connector**  
 Scalable runtime solution supported for extended outage protection (up to 8 External Battery Cabinets)

**NEMA L5-30R**  
 Support larger devices or rack PDU

**4x individually controllable receptacle, 2x always on receptacles**  
 Manage load on battery and control unauthorized access to UPS receptacle



**Communications**  
 Vertiv™ Liebert® IntelliSlot™ (Web/SNMP Card), Serial Port, Dry Contacts, USB Port for Local and Remote Configuration and UPS Management

**NEMA L5-30P input with over current protection**  
 Simple installation and power on with connected input cord



## Technical Specifications | 1000 VA - 3000 VA, 120V, Rack/Tower Convertible

Standard Models Models with RDU120 Network Card	Vertiv™ Liebert® GXT5LI-1000LVRT2UXL GXT5LI-1000LVRT2UXLN	Vertiv™ Liebert® GXT5LI-1500LVRT2UXL GXT5LI-1500LVRT2UXLN	Vertiv™ Liebert® GXT5LI-2000LVRT2UXL GXT5LI-2000LVRT2UXLN	Vertiv™ Liebert® GXT5LI-3000LVRT2UXL GXT5LI-3000LVRT2UXLN
Form factor	2U Rack/Tower	2U Rack/Tower	2U Rack/Tower	2U Rack/Tower
Power rating	1000VA / 1000W	1500VA / 1350W	2000VA / 1800W	3000VA / 2700W
<b>Dimensions, W X D X H, IN (MM)</b>				
Unit	16.9 x 17.3 x 3.4 (430 x 446 x 85)	16.9 x 18.7 x 3.4 (430 x 476 x 85)	16.9 x 18.7 x 3.4 (430 x 476 x 85)	16.9 x 21.5 x 3.4 (430 x 546 x 85)
Shipping	22.4 x 23.5 x 9.5 (570 x 597 x 242)	22.4 x 23.5 x 9.5 (570 x 597 x 242)	22.4 x 23.5 x 9.5 (570 x 597 x 242)	22.4 x 28.2 x 9.5 (570 x 717 x 242)
<b>Weight, LB (KG)</b>				
Unit	37.5lbs (17kg)	39.7lbs (18kg)	39.7lbs (18kg)	48.5lbs (22kg)
Shipping	47.6lbs (21.6kg)	52.9lbs (24kg)	52.9lbs (24kg)	59.7lbs (27.1kg)
<b>Input/output AC parameters</b>				
Input plug	NEMA 5-15P	NEMA 5-15P	NEMA L5-20P	NEMA L5-30P
Input cord	10ft (3m) Attached	10ft (3m) Attached	10ft (3m) Attached L5-20 To 5-20P Adapter	10ft (3m) Attached
Total receptacles	(6) NEMA 5-15R	(6) NEMA 5-15R	(1) NEMA L5-20R, (6) NEMA 5-15/20R	(1) NEMA L5-30R, (6) NEMA 5-15/20R
Programmable receptacles	(4) NEMA 5-15R	(4) NEMA 5-15R	(4) NEMA 5-15/20R	(4) NEMA 5-15/20R
Nominal voltage setting	120VAC Default; 100/110/115/120V/125VAC (User-configurable)	120VAC Default; 100/110/115/120V/125VAC (User-configurable)	120VAC Default; 100/110/115/120V/125VAC (User-configurable)	120VAC Default; 100/110/115/120V/125VAC (User-configurable)
Voltage range without Battery operation	Nominal (full load): 102 - 150 VAC; Maximum: 60 - 150 VAC	Nominal (full load): 102 - 150 VAC; Maximum: 60 - 150 VAC	Nominal (full Load): 102 - 150 VAC; Maximum: 60 - 150 VAC	Nominal (full Load): 102 - 150 VAC; Maximum: 60 - 150 VAC
Frequency range	40-70Hz	40-70Hz	40-70Hz	40-70Hz
Surge protection	ANSI C62.41, Category B	ANSI C62.41, Category B	ANSI C62.41, Category B	ANSI C62.41, Category B
Transfer time	0 ms	0 ms	0 ms	0 ms
Battery waveform	Pure Sine Wave	Pure Sine Wave	Pure Sine Wave	Pure Sine Wave
<b>Battery parameters</b>				
Type	Lithium-Ion (LiFePO4)	Lithium-Ion (LiFePO4)	Lithium-Ion (LiFePO4)	Lithium-Ion (LiFePO4)
Recharge time (from full discharge)	< 2 hrs to 90%	< 2 hrs to 90%	< 2 hrs to 90%	< 2 hrs to 90%
Full-load runtime	13 min	14 min	10.5 min	6.5 min
Half-load runtime	28 min	28 min	22.5 min	15 min
External battery cabinet	VEBCLI-48VRT1U	VEBCLI-48VRT1U	VEBCLI-48VRT1U	VEBCLI-48VRT1U
<b>Environmental</b>				
Operating temperature, °F (°C)	32°F to 104°F (0°C to 40°C) (10% Derating at 50°C)	32°F to 104°F (0°C to 40°C) (10% Derating at 50°C)	32°F to 104°F (0°C to 40°C) (10% Derating at 50°C)	32°F to 104°F (0°C to 40°C) (10% Derating at 50°C)
Storage temperature °F (°C)	-4° to 140° (-20° to 60°)	-4° to 140° (-20° to 60°)	-4° to 140° (-20° to 60°)	-4° to 140° (-20° to 60°)
Relative humidity	0% - 95%, non-condensing	0% - 95%, non-condensing	0% - 95%, non-condensing	0% - 95%, non-condensing
Operating altitude, ft (m)	0 to 10,000 (0 to 3,000) w/o Derating (15% Derating at 4000m)	0 to 10,000 (0 to 3,000) w/o Derating (15% Derating at 4000m)	0 to 10,000 (0 to 3,000) w/o Derating (15% Derating at 4000m)	0 to 10,000 (0 to 3,000) w/o Derating (15% Derating at 4000m)
Audible noise	< 48 dB	< 48 dB	< 48 dB	< 48 dB
<b>Certifications</b>				
Safety	UL 1642 (Li-Ion Battery Cells), UL 1973 (Li-Ion Battery Pack w/UPS), UL 1778, CSA 22.2 No. 107.3	UL 1642 (Li-Ion Battery Cells), UL 1973 (Li-Ion Battery Pack w/UPS), UL 1778, CSA 22.2 No. 107.3	UL 1642 (Li-Ion Battery Cells), UL 1973 (Li-Ion Battery Pack w/UPS), UL 1778, CSA 22.2 No. 107.3	UL 1642 (Li-Ion Battery Cells), UL 1973 (Li-Ion Battery Pack w/ UPS), UL 1778, CSA 22.2 No. 107.3
Agency	UL 1778, c-UL, NOM, FCC Part 15, Class A	UL 1778, c-UL, NOM, FCC Part 15, Class A	UL 1778, c-UL, NOM, FCC Part 15, Class A	UL 1778, c-UL, NOM, FCC Part 15, Class A
Environmental	RoHS2 / REACH / WEEE	RoHS2 / REACH / WEEE	RoHS2 / REACH / WEEE	RoHS2 / REACH / WEEE
Network surge	IEC 61000-4-5, ANSI C62.41, Category B	IEC 61000-4-5, ANSI C62.41, Category B	IEC 61000-4-5, ANSI C62.41, Category B	IEC 61000-4-5, ANSI C62.41, Category B
Transportation	ISTA Procedure 2A	ISTA Procedure 2A	ISTA Procedure 2A	ISTA Procedure 2A
Warranty	5 years on UPS and battery	5 years on UPS and battery	5 years on UPS and battery	5 years on UPS and battery
Equipment Protection Plan	Up To \$500,000 (for covered equipment)	Up To \$500,000 (for covered equipment)	Up To \$500,000 (for covered equipment)	Up To \$500,000 (for covered equipment)

## Optional accessories



### External battery cabinets and replacement battery kits

UPS	External battery cabinets*	Internal replacement battery kits
GXT5LI-1000LVRT2UXL	VEBCLI-48VRT1U	GXT5LI-48VBATKIT1
GXT5LI-1500LVRT2UXL	VEBCLI-48VRT1U	GXT5LI-48VBATKIT2
GXT5LI-2000LVRT2UXL	VEBCLI-48VRT1U	GXT5LI-48VBATKIT2
GXT5LI-3000LVRT2UXL	VEBCLI-48VRT1U	GXT5LI-48VBATKIT2

\*EBCs are hot-swappable, user-replaceable to allow for the full EBC to be replaced, as needed. Up to 8 EBCs can be used per UPS.



*Vertiv™ Liebert® RDU101 Network Card*

### Network Communication Cards and environmental sensors

Optional Intellislot cards are compatible with all Vertiv™ Liebert® GXT5 UPS systems

	Card/Kit	Description
Network communications	RDU120	Network Communication Card with 10/100/1000 Mbps Ethernet, web interface, MIB, configuration cable, and environmental sensor support, UL 2900 certified.
	RDU101	Vertiv™ Liebert® Intellislot™ web card for SNMP and web management. Supports environmental sensors.
	IS-RELAY	Vertiv™ Liebert® Intellislot™ Interface Kit for Relay Contacts
Vertiv™ Liebert® RDU101 Card Environmental Sensors*	SN-Z01	Integrated cable with single temperature sensor
	SN-Z02	Integrated cable with three temperature sensors
	SN-Z03	Integrated cable with three temperature and one humidity sensors
	SN-T	Modular with single temperature sensor
	SN-TH	Modular with single temperature and single humidity sensor
	SN-2D	Modular with two door contact inputs
	SN-3C	Modular with three dry contact inputs
	SN-L20	Modular leak zone sensor with 20 foot cable (Liebert RDU-S only)
	Vertiv™ Liebert® Intellislot™ RDU120 Card Environmental Sensors**	A2D-10
A2D-50		Analog to digital converter provides the ability to connect a dry contact, 0-10V, or 4-20mA sensor to a Plug-n-Play sensor port. Includes a 10ft / 3m cable.
GT3HD		Temperature, humidity, and dew point sensor with dual inputs for included 3ft / .9m and 6ft / 1.8m temperature sensors for monitoring top, middle, and bottom of a rack or cabinet. Includes a supplementary input for daisy-chaining additional sensors. Includes 10ft / 3m cable.
GT3HD-50		Temperature, humidity, and dew point sensor with dual inputs for included 3ft / .9m and 6ft / 1.8m temperature sensors for monitoring top, middle, and bottom of a rack or cabinet. Includes a supplementary input for daisy-chaining additional sensors. Includes 50ft / 15.2m cable.
GTHD		Temperature, humidity, and dew point sensor. Includes a supplementary input for daisy-chaining additional sensors. Includes 10ft / 3m cable.
GTHD-50		Temperature, humidity, and dew point sensor. Includes a supplementary input for daisy-chaining additional sensors. Includes 50ft / 15.2m cable.
SRT-12		Temperature sensor used to monitor temperature in critical environments. Includes a 12ft / 3.6m cable.
SRT-20		Temperature sensor used to monitor temperature in critical environments. Includes a 20ft / 6.1m cable.
SRT-50		Temperature sensor used to monitor temperature in critical environments. Includes a 50ft / 15.2m cable.
SRT-100		Temperature sensor used to monitor temperature in critical environments. Includes a 100ft / 30.4m cable.
RTAFHD3-12		Temperature, airflow, humidity, and dew point sensor. Includes 12ft / 3.6m cable.
RTAFHD3-20		Temperature, airflow, humidity, and dew point sensor. Includes 20ft / 6.1m cable.
RTAFHD3-50		Temperature, airflow, humidity, and dew point sensor. Includes 50ft / 15.2m cable.
RTAFHD3-100		Temperature, airflow, humidity, and dew point sensor. Includes 100ft / 30.4m cable.
FS-15		0-5VDC conductivity based flood sensor used to detect the presence of water. Includes a 15ft / 4.5m cable.
FS-100		0-5VDC conductivity based flood sensor used to detect the presence of water. Includes a 100ft / 30.4m cable
RDPS		Magnetic normally-closed dry-contact sensor used to monitor remote door position. Includes 30ft / 9.1m cable.
RDPS-50	Magnetic normally-closed dry-contact sensor used to monitor remote door position. Includes 50ft / 15.2m cable.	
RDPS-100	Magnetic normally-closed dry-contact sensor used to monitor remote door position. Includes 100ft / 30.4m cable.	
PFS-100 US	0-5V power failure sensor to monitor the presence of utility power. Includes a 100ft / 30.4m cable and US NEMA power supply	

\* Only compatible with Vertiv™ Liebert® Intellislot™ RDU101 Network Card

\*\* Only compatible with Vertiv™ Liebert® Intellislot™ RDU120 Network Card



Vertiv™ Liebert® MicroPOD

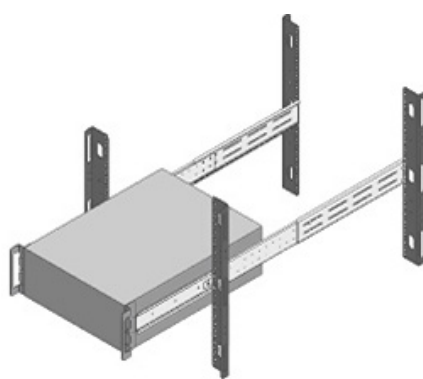
### MicroPOD - Maintenance bypass and output distribution

The Vertiv™ Liebert® MicroPOD (Power Output Distribution) is a maintenance bypass option for UPS products, 3 kVA and below. It allows removal of the UPS without powering down the connected equipment. The 2U POD's can be installed on the floor or mounted to a Liebert® GXT5 UPS using the included mounting brackets.

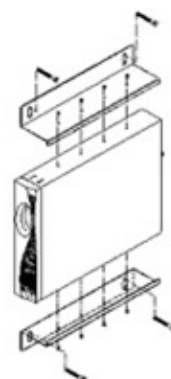
UPS VA rating	POD model number	Output receptacles	Plug to utility
500-1500VA UPS	MP2-115HW	Hard Wired	Hardwired
	MP2-115A	8 x 5-15R	5-15P
2000VA UPS	MP2-120HW	Hard Wired	Hardwired
	MP2-120C	8 x 5-15/20R	5-20P
	MP2-120E	4 x 5-15/20R; 1 x L5-20R	5-20P
3000VA UPS	MP2-130HW	Hard Wired	Hardwired
	MP2-130C	8 x 5-15/20R	L5-30P
	MP2-130E	2 x 5-15/20R; 1 x L5-30R; 4 x 5-15/20R	L5-30P
	MP2-130P	4 x 5-15R; 2 x L5-20R	L5-30P



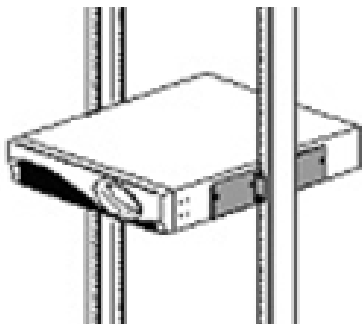
2POSTRMKIT



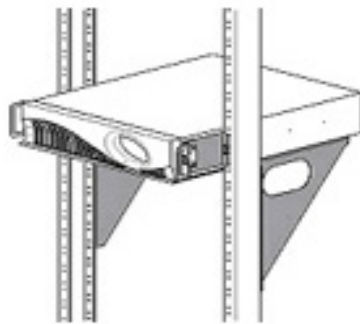
Rack slide kits for all Vertiv™ Liebert® GXT5 rack tower models (RMKIT 18-32)



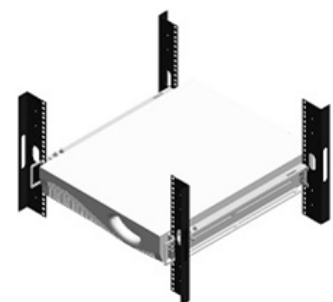
Wall mount bracket kit for Vertiv™ Liebert® GXT5 500VA – 3000VA models WMBKT2U and WBMKT2U-SS



2UTELECOMRKIT



Rack shelves - center mount shown RS600 / RS800



Standard kit included inside the UPS box VRMKIT18-32

### Mounting kit options

Application	Model supported	Style	Model	Description
2 Post - telecom rack	Entire Liebert GXT5 UPS family (500VA to 10kVA)	Shelf	RS500	Flush-mount shelf for 19" rack wide
		Shelf	RS600	Center-mount shelf for 19" rack wide
		Shelf	RS700	Flush-mount shelf for 23" rack wide
		Shelf	RS800	Center-mount shelf for 23" rack wide
	Vertiv™ Liebert® GXT5 up to 3kVA	Bracket	ZUTELECOMRKIT	Only center-mount bracket for 19" rack wide
		Bracket	ZPOSTRMKIT	Front flush/ center-mount bracket - 4-piece design
Wall mount	Vertiv™ Liebert® GXT5 up to 3kVA	Bracket	WMBKT2U	Wall mount bracket holds (1) Vertiv™ Liebert® GXT5 2U or (1) Vertiv™ Liebert® PSi5 2U product, steel painted black
		Bracket	WMBKT2USS	Wall mount bracket holds (1) Vertiv™ Liebert® GXT5 2U or (1) Vertiv™ Liebert® PSi5 2U product, stainless steel
4 Post rack	Entire Vertiv™ Liebert® GXT5 UPS family (500VA to 10kVA)	Bracket	RMKIT18-32	Cabinet/racks with 18" - 32" deep support rails - Telescopic rail

Note: RS600 and RS800 kits include adapter brackets for installation of up to (2) Vertiv™ Liebert® GXT5 2U model

### Vertiv™ UPS Software benefits ladder

Feature	Vertiv™ Power Assist	Vertiv™ Power Insight	Vertiv™ Environet™ Alert	Vertiv™ Avocent® DSView™ Solutions	Vertiv™ Environet™ Connect
<b>Management</b>					
Mass device provisioning					•
Mass device configuration					•
Mass firmware upgrade				•	•
Hypervisor plugin		vCenter, vXRail, Nutanix			
Automated server shutdown	•	•			
<b>Reporting</b>					
Analytics and reporting			•		•
Historical data		•	•		•
Thresholds and alerts		•	•	•	•
Alarm management	•	•	•	•	•
<b>Monitoring</b>					
IT device monitoring				•	
Thermal monitoring			•		•
Power monitoring	UPS Only	UPS and Rack PDU	•	UPS, Rack PDU, Servers	•
<b>Specifications</b>					
Protocol support	USB/SNMP	SNMP	SNMP, Modbus TCP, BACnet IP	SNMP, IPMI, Redfish	SNMP
Equipment support	Vertiv only	Vertiv only	Multi-vendor	Multi-vendor	Multi-vendor
Max. devices support	2	100	Scalable	Scalable	Scalable
Software architecture	On-prem	On-prem	On-prem	On-perm	Multi-tenant cloud based
Licensing	Free	Free	Perpetual	Subscription	Subscription



## Vertiv™ Liebert® GXT5 Lithium-Ion UPS - Power Assurance Services

### Power Assurance Package

Bundled start-up service and 5-year on-site emergency response	Standard	With Vertiv™ Life™ Services	With removal	With Vertiv™ Life™ and Removal
Equipment model / type	Part number	Part number	Part number	Part number
Vertiv™ Liebert® GXT5 LI UP TO 3 KVA	PAPGXTLI-1K3K	PAPGXTLI-1K3KLF	PAPGXTLI-1K3KRMV	PAPGXTLI-1K3KRLF
External battery cabinets (48V)	PAPGXTLI-48VBATT	N/A	PAPGXTLI-48VBATTRMV	N/A

### Power Startup Services

Startup service only	Standard	With removal
Equipment model / type	Part number	Part number
Vertiv™ Liebert® GXT5 LI UP TO 3 KVA	SUGXT-1K3K	SUGXT-1K3KRMV
External battery cabinet (48V)	SUGXT-EXTBTCB	SUGXT-EXTBTCBRMV

### Power Emergency Services

5-Year on-site emergency coverage - only	Standard	With Life services
Equipment model / type	Part number	Part number
Vertiv™ Liebert® GXT5 LI 1-3 KVA	PEPGXTLI-1K3K5YR	PEPGXTLI-1K3KLF
Lithium-ion external battery cabinet 48V	PEPGXTLI-48VBAT5YR	N/A

### Power Assurance Package - summary

- Includes all below "Power Start-up Services" and "Power Emergency Services" support

### Power Startup Services - summary

- Installation includes mounting and start-up of new UPS or EBC (excludes hard-wired applications)
- Services performed by Vertiv factory trained technician
- Services performed 7 X 24, excluding national holidays within the 48 contiguous states and Hawaii
- Removal and disposal of existing UPS or EBC equipment, if selected

### Power Emergency Services - summary

- On Site Service Support
- Full-service five (5) year contract term commencing upon the start-up date
- 100% parts coverage, including POD, web card and battery defects
- 100% labor and travel coverage 7 days/week, 24 hours/day
- 24-Hour Customer Resolution Center via 1-800-LIEBERT
- Access to Customer Services Network portal

### Vertiv™ Life™ Services includes above plus:

- Continuous monitoring, alarm notification, expert analysis, and proactive response

Note: Vertiv™ Life™ Services requires an Vertiv™ Liebert® RDU120 card.

Please refer to the Scopes of Work for full and additional details.

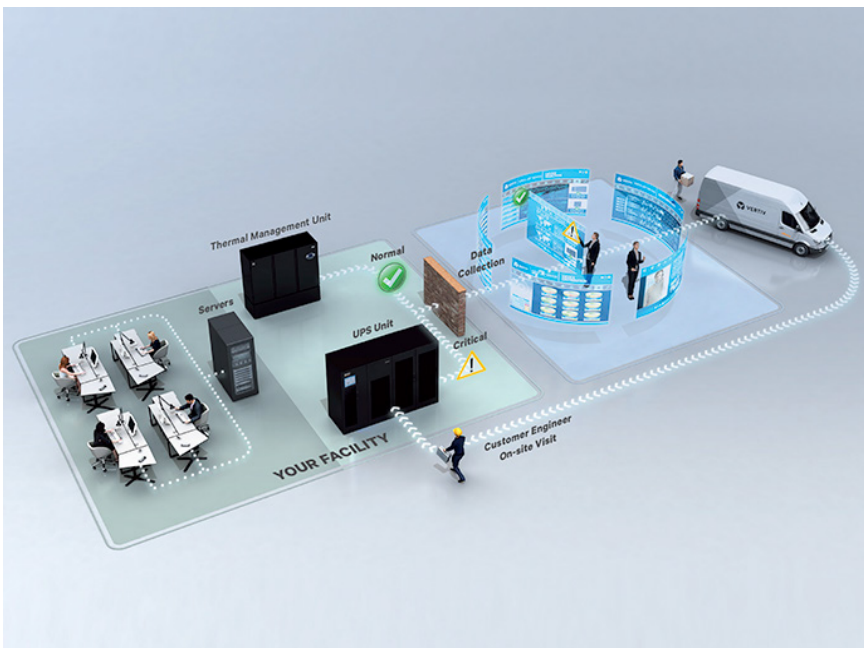
## Power Assurance Package: comprehensive service support for critical systems

- **Five-year protection plan** with 100% parts coverage and 24x7 emergency service
- **On-site installation and startup** of UPS and internal batteries (excludes hard-wired applications); configuration of new UPS and accessories; and if purchased, safe removal and disposal of legacy UPS and batteries
- **On-site service support** available 24x7 (within 150 miles of regional service center) and includes 100% labor and travel coverage
- **100% parts coverage** for UPS includes POD (power output distribution), web card, and battery defects
- **24x7 access** to customer resolution center and online access to Customer Services Network

### Key benefits:

- Hassle-free management of multi-site rollouts
- Frees up IT staff from maintaining and servicing UPS equipment Reduces the worry of critical equipment downtime
- Enables rapid recovery in the event of failure (within 24-48 hours)
- Frees you from the responsibility of handling and documenting the disposal of legacy UPS and batteries

## Remote diagnostic services for rapid response



Refer to page 11 for service SKUs

### Uptime assurance

- Continuous monitoring for early detection of trends and operating anomalies
- Analysis and interpretation of alarm and status messages

### Rapid incident response

- Automatic transmission of data for analysis
- Concurrent diagnosis and dispatch of engineer to site
- Shipment of parts for corrective maintenance

### Increased insight and ease of management

- Notification of operating conditions that may impact system health
- Periodic trend and analysis reports
- Integration of remote and on-site services to enable business continuity



**Vertiv.com** | Vertiv Headquarters, 505 N Cleveland Ave, Westerville, OH 43082, USA

© 2026 Vertiv Group Corp. All rights reserved. Vertiv™ and the Vertiv logo are trademarks or registered trademarks of Vertiv Group Corp. All other names and logos referred to are trade names, trademarks or registered trademarks of their respective owners. While every precaution has been taken to ensure accuracy and completeness here, Vertiv Group Corp. assumes no responsibility, and disclaims all liability, for damages resulting from use of this information or for any errors or omissions. Specifications, rebates and other promotional offers are subject to change at Vertiv's sole discretion upon notice.