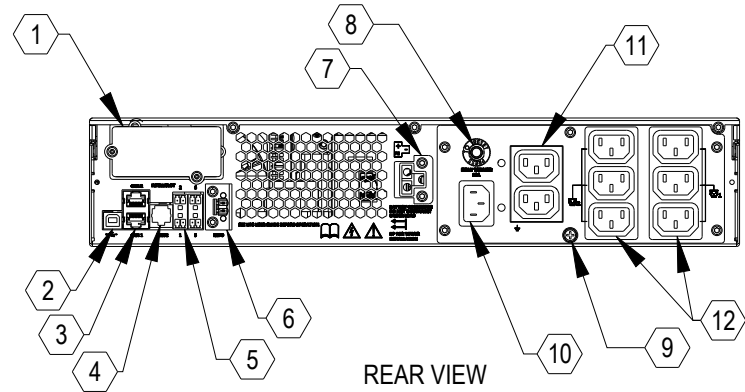
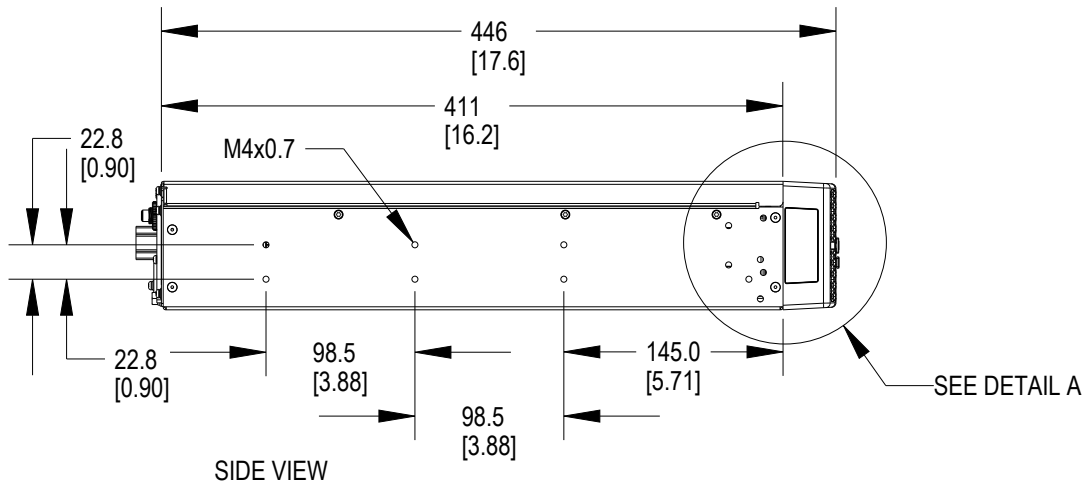


FRONT VIEW

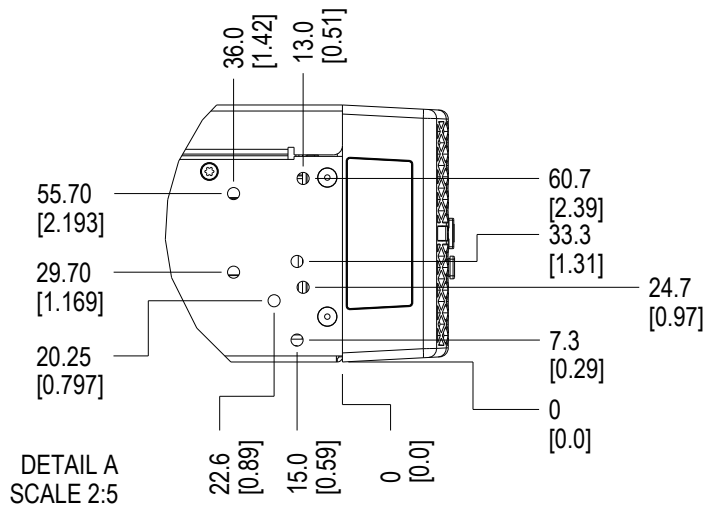
FOR DETAIL SEE DRAWING GXT5-DISPLAY



REAR VIEW



SIDE VIEW



DETAIL A
SCALE 2:5

- 1 INTELLISLOT PORT
- 2 USB PORT
- 3 EXTERNAL BATTERY CAN PORTS
- 4 RS232 PORT
- 5 TERMINAL BLOCK COMMUNICATION
- 6 REPO
- 7 EXTERNAL BATTERY CONNECTOR
- 8 10A INPUT CIRCUIT BREAKER
- 9 GROUND SCREW
- 10 INPUT POWER PLUG (C14)
- 11 NON PROGRAMMABLE OUTPUT RECEPTACLES (C13)
- 12 PROGRAMMABLE OUTPUT RECEPTACLES (C13)

NOTES

1. UNIT DIMENSIONS (WxDxH) 430mm x 446mm x 85mm (2U)
(16.9") x (17.5") x (3.3")
2. UNIT WEIGHT 15.0kg (33.1lbs)
3. SHIPPING DIMENSIONS (WxDxH) 542mm x 583mm x 228mm
(21.3") x (23.0") x (9.0")
4. SHIPPING WEIGHT 22.2kg (48.9lbs)
5. MINIMUM AIRFLOW CLEARANCE IS 100MM (4.0")
FRONT AND REAR.

SHEET NO. 1 OF 1	DRAWN BY: P BENNER	TITLE
CO. NO. -	DESIGNED BY: P BENNER	
REF DWG. -	APPROVED BY: N SECORD	

OUTLINE DRAWING
LIEBERT GXT5 LITHIUM-ION 1000VA
200-240VAC RACK/TOWER UPS

DWG. NO. GXT5-LI_1000_230	1050 DEARBORN DR P.O. BOX 29186 COLUMBUS, OH 43229
DATE (LATEST REV.) 5/20/2022	
REVISION 0	

