

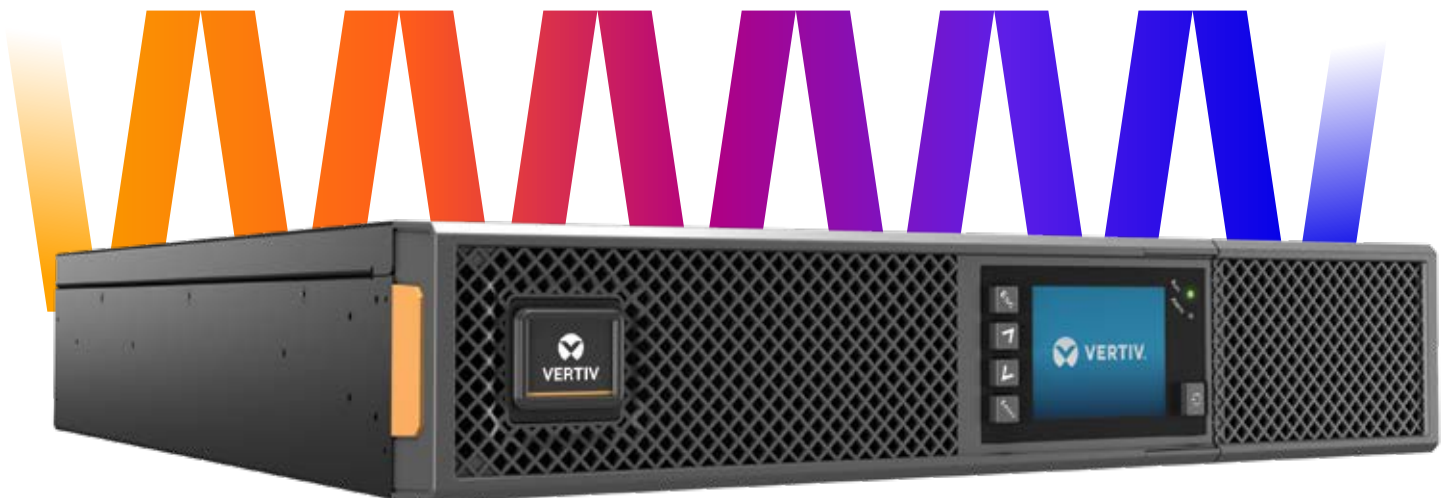


Product brochure

Vertiv™ Liebert® GXT5 UPS

750 - 3000VA 230V

Intelligent and efficient UPS for protection
of your mission-critical applications



Intelligent and efficient UPS for protection of your mission-critical applications

The Vertiv™ Liebert® GXT5 UPS is an online double conversion UPS solution which offers premium power outage protection and continuous power conditioning in a compact and flexible rack/tower form factor.

The Vertiv Liebert GXT5 single phase UPS operates with high power efficiency, making it ideally suited to protect critical infrastructure in both centralized and edge network applications.

Scalable runtime options with matching external battery cabinets offer additional flexibility when extended uninterrupted power is required. Plus, the Vertiv Liebert GXT5 provides battery health status and replacement date prediction for intelligent battery health management.

The UPS system is easy to deploy and maintain due to its user-friendly LCD interface and remote management capabilities supported by the Vertiv™ Liebert® IntelliSlot™ RDU120 communications card which makes the Vertiv Liebert GXT5 compatible with infrastructure management solutions such as Vertiv™ LIFE Services, environmental sensors, Vertiv™ Power Insight, and more.

With market leading efficiency and unity power factor operation, the Vertiv Liebert GXT5 will meet your critical application needs. You can rest assured that your business is protected with this Vertiv solution.

What's in the box

- Vertiv Liebert GXT5 UPS
- Quick Installation Guide and Safety Instructions
- USB type A to B cable (2 m)
- RS232 cable (1.8 m)
- Stabilizing feet for Tower Stand and 4-Post Rack Fixed Rail Kit
- 2 x IEC C13 to C14 output cables (2 m) for 750 - 1000 - 1500 VA; 3 cables for 2000 - 3000 VA
- Input power cables (UK, AUS, Schuko) for 2000 - 3000 VA (2.5 m)
- Free [Vertiv Power Assist](#) software for local UPS status and shutdown, or [Vertiv Power Insight](#) for remote network management
- Vertiv™ Liebert® IntelliSlot™ RDU120 Network Card

Vertiv™ Liebert® GXT5 features

Leading UPS technology

- High output PF = 1.0
- Full color graphic LCD display with gravity sensing
- Individually programmable outlets for power-cycling hung equipment and to optimize battery runtime for critical applications
- External battery cabinets with auto-detection
- Battery health status and replacement date prediction
- Remote management, update and configuration
- Optimized thermal management and variable speed fan

Efficient and green product

- High efficiency (up to 94%) in online mode
- Even higher efficiency (up to 98%) in ECO mode
- Programmable outlets for scheduled shutdown of equipment that is not in use, resulting in significant power savings
- RoHS and REACH compliance

Solutions wide

- Compact Rack / Tower design
- Broad range of services and extended warranties
- Easy to install, configure and operate
- Free Vertiv™ Power Insight management software
- Compatibility with environmental sensors
- Integrated dry-contacts with selectable definition
- Serial port for out-of-band management with Avocent Serial Consoles
- Automatic internal bypass and optional external maintenance bypass



Vertiv™ Liebert® GXT5 features



High power factor (1.0)

More usable power enables more connected loads saving space and costs.

Efficiency (up to 95%) in online mode

Higher efficiency means an optimized energy management and lower heat dissipation, thus providing energy savings and improved reliability.



Efficiency (up to 98%) in ECO mode

Superior protection with maximum efficiency.

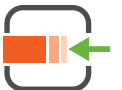
Colored graphic LCD with gravity sensitive orientation

User-friendly interface provides insight to UPS status for easy installation, configuration and operation.



Compact rack/tower design

Space-saving UPS provides rack space optimization and flexible installation.



Battery Cabinets with auto-detection

Be confident the UPS is set up correctly to report available runtime when used with external battery cabinets.



Comprehensive service offering

Comprehensive service coverage and a standard 3 years exchange warranty.



How you benefit from the Vertiv™ Liebert® GXT5 UPS

Designed for high availability



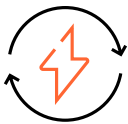
- With **individually controlled output sockets**, you can manage power to individual devices without impacting other critical network equipment operation
- Minimum downtime of the device provided by **hot-swappable, user-replaceable battery** modules which can be changed during operation
- **Automatic self-test**
- **Extended runtimes** provided by the addition of external battery cabinets
- **Improved battery care** by temperature compensated battery charging
- **Intelligent battery health management** enables a longer service life (Optimized battery maintenance and replacement when needed)

User-friendly installation and operation



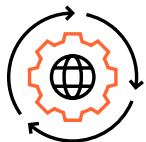
- Easy to read, gravity sensing **graphical color display**
- **Intuitive user interface**, local configuration and management
- Support for the new Vertiv suite of **remote management tools** (Vertiv™ Power Insight, RDU120 network interface card and serial connectivity support)
- **Autodetection of external battery cabinets** enables faster deployment and accurate runtime information
- **Remote UPS firmware upgrade** capability enables your UPS has the latest features and enhancements

Optimized energy and capacity management



- ECO operating mode with **up to 98% efficiency**
- **Efficiency** in online double conversion mode up to 94%
- The **higher power factor (1.0)** enables the connection of more loads and IT equipment
- 4 **individually programmable output sockets** can be used to extend runtime for the most critical loads and smart disconnection of the less critical ones

Seamless connectivity



- Four onboard, user-definable dry contact I/O for **integration of support management systems**
- Supports **SNMP, web, and environmental sensors** with the optional RDU101 communications card
- **Serial connection** for integration of Avocent® ACS product or direct serial management and control of the UPS



Technical specifications

Standard Models	GXT5-750IRT2UXL	GXT5-1000IRT2UXL	GXT5-1500IRT2UXL	GXT5-2000IRT2UXL	GXT5-3000IRT2UXL
Ratings (VA/W)	750VA/750W	1000VA/1000W	1500VA/1500W	2000VA/2000W	3000VA/3000W
Dimensions, mm					
Unit (W x D x H)	430 x 400 x 85	430 x 400 x 85	430 x 470 x 85	430 x 470 x 85	430 x 540 x 85
Shipping (W x D x H)	617 x 570 x 262	617 x 570 x 262	617 x 570 x 262	617 x 570 x 262	717 x 570 x 262
Weight, kg					
Unit	16,8	16,8	21,4	21,4	28,5
Shipping	21,4	21,4	25,9	25,9	33,4
Input AC Parameters					
Input voltage range (VAC)	115-288	115-280	115-280	115-280	115-280
Frequency Range (Hz, autosensing)	40-70	40-70	40-70	40-70	40-70
Input Power Connector	IEC 60320 C14	IEC 60320 C14	IEC 60320 C14	IEC 60320 C20	IEC 60320 C20
Output AC Parameters					
Output Receptacles	8 x IEC60320-C13	8 x IEC60320-C13	8 x IEC60320-C13	8 x IEC60320-C13	6 x IEC60320-C13 1 x IEC60320-C19
Output Voltage	200/208/220/230/240VAC	200/208/220/230/240VAC	200/208/220/230/240VAC	200/208/220/230/240VAC	200/208/220/230/240VAC
User selectable output	(user-configurable); ±3%	(user-configurable); ±3%	(user-configurable); ±3%	(user-configurable); ±3%	(user-configurable); ±3%
Waveform	Pure Sine wave	Pure Sine wave	Pure Sine wave	Pure Sine wave	Pure Sine wave
Utility Overload (AC Mode)	>200% for 250ms; 150- 200% for 2 seconds; 125- 150% for 50 seconds; 105-125% 60 seconds	>200% for 250ms; 150- 200% for 2 seconds; 125- 150% for 50 seconds; 105-125% 60 seconds	>200% for 250ms; 150- 200% for 2 seconds; 125- 150% for 50 seconds; 105-125% 60 seconds	>200% for 250ms; 150- 200% for 2 seconds; 125- 150% for 50 seconds; 105-125% 60 seconds	>200% for 250ms; 150- 200% for 2 seconds; 125- 150% for 50 seconds; 105-125% 60 seconds
Battery					
Type	Valve-regulated, non-spillable, lead acid	Valve-regulated, non-spillable, lead acid	Valve-regulated, non-spillable, lead acid	Valve-regulated, non-spillable, lead acid	Valve-regulated, non-spillable, lead acid
Backup Time (100% Load)	10.5 Minutes	6.8 Minutes	5.6 Minutes	3.2 Minutes	3.3 Minutes
Backup Time (50% Load)	25.7 Minutes	17.8 Minutes	16.3 Minutes	10.7 Minutes	10.8 Minutes
+1 External Battery Cabinet (100% Load)	46.3 Minutes	33.3 Minutes	28.2 Minutes	18.8 Minutes	19.1 Minutes
+1 External Battery Cabinet (50% Load)	103.2 Minutes	76.3 Minutes	70.2 Minutes	47.1 Minutes	47.5 Minutes
Environmental					
Operating Temperature, °C	0 to 40	0 to 40	0 to 40	0 to 40	0 to 40
Storage Temperature, °C (with batteries)	-20 to 60 (-15 to 40)	-20 to 60 (-15 to 40)	-20 to 60 (-15 to 40)	-20 to 60 (-15 to 40)	-20 to 60 (-15 to 40)
Relative Humidity	0% to 95%, non-condensing	0% to 95%, non-condensing	0% to 95%, non-condensing	0% to 95%, non-condensing	0% to 95%, non-condensing
Operating Elevation (m, without derating)	3,000	3,000	3,000	3,000	3,000
Storage Elevation (m)	15,000	15,000	15,000	15,000	15,000
Audible Noise	<46dBA max at 1m front and sides < 43dBA at 1m rear	<46dBA max at 1m front and sides < 43dBA at 1m rear	<46dBA max at 1m front and sides < 43dBA at 1m rear	<48dBA max at 1m front and side <48dBA max at 1m rear	<48dBA max at 1m front and side <48dBA max at 1m rear
Agency					
Compliance	CE, CB Report, EAC, RCM, UKCA, Morocco	CE, CB Report, EAC, RCM, UKCA, Morocco	CE, CB Report, EAC, RCM, UKCA, Morocco	CE, CB Report, EAC, RCM, UKCA, Morocco	CE, CB Report, EAC, RCM, UKCA, Morocco
Safety	EN 62040-1 EN 61000-4-5	EN 62040-1 EN 61000-4-5	EN 62040-1 EN 61000-4-5	EN 62040-1 EN 61000-4-5	EN 62040-1 EN 61000-4-5
Surge Immunity	ANSI C62.41 Category B ISTA 1A	ANSI C62.41 Category B ISTA 1A	ANSI C62.41 Category B ISTA 1A	ANSI C62.41 Category B ISTA 1A	ANSI C62.41 Category B ISTA 1A
Emissions	IEC/62040-2 Cat. C2	IEC/62040-2 Cat. C2	IEC/62040-2 Cat. C2	IEC/62040-2 Cat. C2	IEC/62040-2 Cat. C2
Environmental	RoHS2 / REACH / WEEE	RoHS2 / REACH / WEEE	RoHS2 / REACH / WEEE	RoHS2 / REACH / WEEE	RoHS2 / REACH / WEEE
Warranty					
Warranty	3 years	3 years	3 years	3 years	3 years

Accessories and options

Vertiv™ Liebert® MicroPOD – Maintenance Bypass and Output Distribution

The Vertiv™ Liebert® MicroPOD (Power Output Distribution) is a maintenance bypass option for UPS products, 3kVA and below. It allows removal of the UPS without powering down the connected equipment.



Vertiv™ Liebert® MicroPOD™

UPS Model	MicroPOD Model	Input socket	Output receptacles
GXT5-750IRT2UXL(N) GXT5-1000IRT2UXL(N) GXT5-1500IRT2UXL(N)	MP2-210K	IEC60320-C14	8 x IEC60320-C13
GXT5-2000IRT2UXL(N)	MP2-220K	IEC60320-C20	8 x IEC60320-C13
GXT5-3000IRT2UXL(N)	MP2-220L	IEC60320-C20	6 x IEC60320-C13 & 1 x IEC60320-C19

External Battery Cabinets

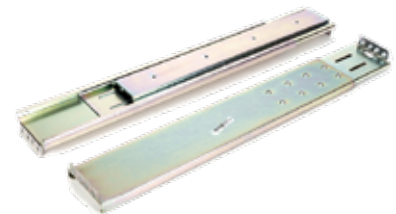
UPS Model	External battery cabinet
GXT5-750IRT2UXL(N)	GXT5-EBC36VRT2U
GXT5-1000IRT2UXL(N)	GXT5-EBC36VRT2U
GXT5-1500IRT2UXL(N)	GXT5-EBC48VRT2U
GXT5-2000IRT2UXL(N)	GXT5-EBC48VRT2U
GXT5-3000IRT2UXL(N)	GXT5-EBC72VRT2U



Vertiv™ External Battery Cabinet

Internal Battery Replacement Kits

UPS Model	Battery replacement kit
GXT5-750IRT2UXL(N)	GXT5-36VBATKIT
GXT5-1000IRT2UXL(N)	GXT5-36VBATKIT
GXT5-1500IRT2UXL(N)	GXT5-48VBATKIT
GXT5-2000IRT2UXL(N)	GXT5-48VBATKIT
GXT5-3000IRT2UXL(N)	GXT5-72VBATKIT



Rack Mounting kits RMKIT18-32

Installation

Railkit	UPS
RMKIT18-32	All GXT5 battery modules as well as all GXT5 750 thru 3000VA models (racks with 18" - 32" deep support rails)



Network Communication Cards and environmental sensors

Optional Intellislot cards are compatible with all Vertiv™ Liebert® GXT5 UPS systems

Network Communications	RDU120	Network Communication Card with 10/100/1000 Mbps Ethernet, web interface, MIB, configuration cable, and environmental sensor support, UL 2900 certified.
	IS-RELAY	Vertiv™ Liebert® IntelliSlot™ Interface Kit for Relay Contacts
Vertiv™ Liebert® IntelliSlot™ RDU101 Card Environmental Sensors*	SN-Z01	Integrated cable with single temperature sensor
	SN-Z02	Integrated cable with three temperature sensors
	SN-Z03	Integrated cable with three temperature and one humidity sensors
	SN-T	Modular with single temperature sensor
	SN-TH	Modular with single temperature and single humidity sensor
	SN-2D	Modular with two door contact inputs
	SN-3C	Modular with three dry contact inputs
	SN-L20	Modular leak zone sensor with 20 foot cable (Vertiv Liebert RDU-S only)
Vertiv™ Liebert® IntelliSlot™ RDU120 Card Environmental Sensors**	A2D-10	Analog to digital converter provides the ability to connect a dry contact, 0-10V, or 4-20mA sensor to a Plug-n-Play sensor port. Includes a 10ft / 3m cable.
	A2D-50	Analog to digital converter provides the ability to connect a dry contact, 0-10V, or 4-20mA sensor to a Plug-n-Play sensor port. Includes a 10ft / 3m cable.
	GT3HD	Temperature, humidity, and dew point sensor with dual inputs for included 3ft / .9m and 6ft / 1.8m temperature sensors for monitoring top, middle, and bottom of a rack or cabinet. Includes a supplementary input for daisy-chaining additional sensors. Includes 10ft / 3m cable.
	GT3HD-50	Temperature, humidity, and dew point sensor with dual inputs for included 3ft / .9m and 6ft / 1.8m temperature sensors for monitoring top, middle, and bottom of a rack or cabinet. Includes a supplementary input for daisy-chaining additional sensors. Includes 50ft / 15.2m cable.
	GTHD	Temperature, humidity, and dew point sensor. Includes a supplementary input for daisy-chaining additional sensors. Includes 10ft / 3m cable.
	GTHD-50	Temperature, humidity, and dew point sensor. Includes a supplementary input for daisy-chaining additional sensors. Includes 50ft / 15.2m cable.
	SRT-12	Temperature sensor used to monitor temperature in critical environments. Includes a 12ft / 3.6m cable.
	SRT-20	Temperature sensor used to monitor temperature in critical environments. Includes a 20ft / 6.1m cable.
	SRT-50	Temperature sensor used to monitor temperature in critical environments. Includes a 50ft / 15.2m cable.
	SRT-100	Temperature sensor used to monitor temperature in critical environments. Includes a 100ft / 30.4m cable.
	RTAFHD3-12	Temperature, airflow, humidity, and dew point sensor. Includes 12ft / 3.6m cable.
	RTAFHD3-20	Temperature, airflow, humidity, and dew point sensor. Includes 20ft / 6.1m cable.
	RTAFHD3-50	Temperature, airflow, humidity, and dew point sensor. Includes 50ft / 15.2m cable.
	RTAFHD3-100	Temperature, airflow, humidity, and dew point sensor. Includes 100ft / 30.4m cable.
	FS-15	0-5VDC conductivity based flood sensor used to detect the presence of water. Includes a 15ft / 4.5m cable.
FS-100	0-5VDC conductivity based flood sensor used to detect the presence of water. Includes a 100ft / 30.4m cable	
RDPS	Magnetic normally-closed dry-contact sensor used to monitor remote door position. Includes 30ft / 9.1m cable.	
RDPS-50	Magnetic normally-closed dry-contact sensor used to monitor remote door position. Includes 50ft / 15.2m cable.	
RDPS-100	Magnetic normally-closed dry-contact sensor used to monitor remote door position. Includes 100ft / 30.4m cable.	
PFS-100 US	0-5V power failure sensor to monitor the presence of utility power. Includes a 100ft / 30.4m cable and US NEMA power supply	

* Only compatible with Vertiv™ Liebert® IntelliSlot™ RDU101 Network Card

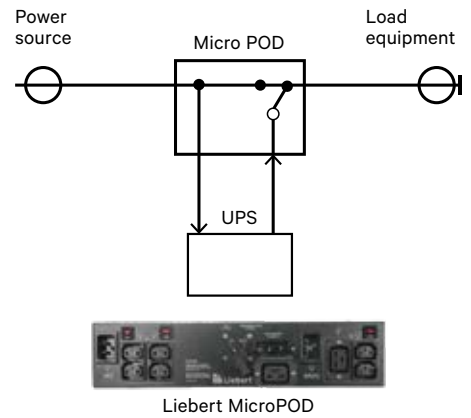
**Only compatible with Vertiv™ Liebert® IntelliSlot™ RDU120 Network Card

Higher uptime with optional POD configuration

When your computer system can not be without power, even for scheduled UPS maintenance, the Liebert MicroPOD Maintenance Bypass and Output Distribution Unit ensures continuous uptime. It allows you to manually transfer connected equipment to utility power via a maintenance bypass switch, permitting scheduled service or UPS replacement without the need to shut down connected equipment.

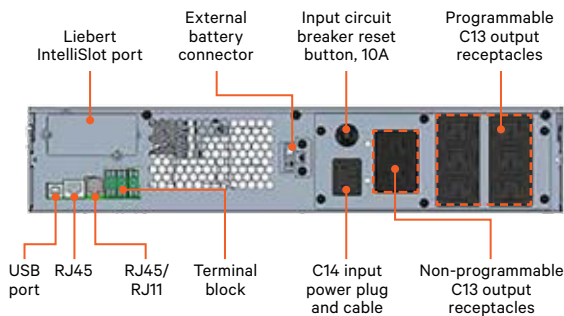
Features include:

- 2U height minimizes rack space requirements
- Easy plug-and-play installation

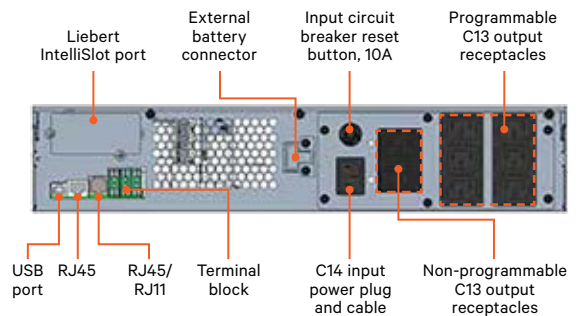


UPS rear panel

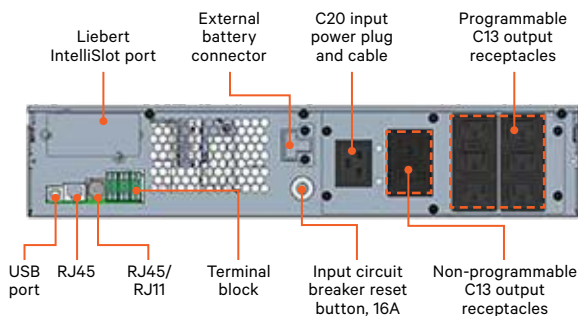
GXT5-750/1000IRT2UXL



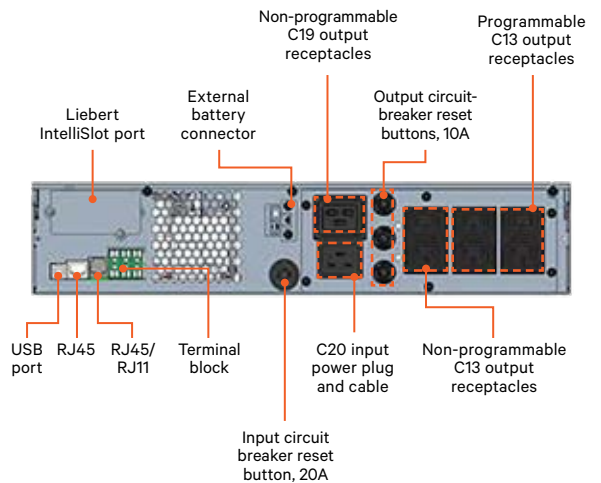
GXT5-1500IRT2UXL



GXT5-2000IRT2UXL



GXT5-3000IRT2UXL





Battery run times

750 VA

		Backup Time (Min)									
		750 W	675 W	600 W	525 W	450 W	375 W	300 W	225 W	150 W	75 W
No. of EBCs	UPS	10.5	12.1	14.1	16.7	20.4	25.7	33.7	44.1	68.0	135.4
	UPS+ 1 EBC	46.3	53.0	59.7	72.0	84.8	103.2	127.1	163.7	229	444.1
	UPS+ 2 EBC	88.3	99.5	112.1	128.2	149.0	178.9	218.3	281.7	401.4	770.8
	UPS+ 3 EBC	130.2	143.9	161.6	183.8	212.4	255.9	316.1	407.9	581.6	1123.4
	UPS+ 4 EBC	170.8	188.3	208.6	238.8	280.7	337.1	416.5	537.8	760.5	1452.2
	UPS+ 5 EBC	208.8	232.1	260.6	298.1	350.0	420.2	519.9	663.9	952.0	1695.4
	UPS+ 6 EBC	251.5	278.8	313.2	358.3	420.3	505.5	620.3	800.6	1147.8	1863.8

1000 VA

		Backup Time (Min)									
		1000 W	900 W	800 W	700 W	600 W	500 W	400 W	300 W	200 W	100 W
No. of EBCs	UPS	6.8	8.1	9.6	11.5	14.1	17.8	23.8	33.7	50.1	101.8
	UPS+ 1 EBC	33.3	38.2	43.3	50.7	59.7	76.3	95.8	127.1	179.8	332.7
	UPS+ 2 EBC	62.8	73.0	83.4	95.3	112.1	135.1	168.9	218.3	311.9	584.9
	UPS+ 3 EBC	94.6	107.4	120.8	139.4	161.6	193.0	239.3	316.1	453.2	841.2
	UPS+ 4 EBC	125.7	141.0	160.1	181.7	208.6	251.8	316.4	416.5	595.8	1114.7
	UPS+ 5 EBC	156.3	174.8	197.6	224.1	260.6	314.0	394.3	519.9	736.7	1373.2
	UPS+ 6 EBC	187.0	206.9	235.3	268.6	313.2	377.3	474.5	620.3	888.2	1590.9

1500 VA

		Backup Time (Min)									
		1500 W	1350 W	1200 W	1050 W	900 W	750 W	600 W	450 W	300 W	150 W
No. of EBCs	UPS	5.6	6.7	8.2	10.1	12.7	16.3	22.2	32.7	52.8	107.3
	UPS+ 1 EBC	28.2	32.7	38.6	44.5	55.1	70.2	89.2	123.9	187.9	350.3
	UPS+ 2 EBC	54.3	61.7	73.8	85.9	103.5	125.3	159.1	213.1	325.3	612.3
	UPS+ 3 EBC	83.4	93.2	108.4	125.6	148.3	179.9	226.4	309.0	472.1	885.6
	UPS+ 4 EBC	111.2	124.1	142.3	165.6	194.8	234.5	297.8	407.6	618.0	1173.2
	UPS+ 5 EBC	138.5	154.3	176.3	203.4	239.7	292.4	371.9	508.2	769.6	1436.2
	UPS+ 6 EBC	165.8	184.8	208.4	243.0	289.0	351.5	448.5	609.2	927.7	1644.5

2000 VA

		Backup Time (Min)									
		2000 W	1800 W	1600 W	1400 W	1200 W	1000 W	800 W	600 W	400 W	200 W
No. of EBCs	UPS	3.2	4.0	5.0	6.3	8.2	10.7	14.8	21.8	36.2	78.5
	UPS+ 1 EBC	18.8	22.0	25.9	31.0	38.5	47.1	63.1	88.2	134.8	258.8
	UPS+ 2 EBC	38.1	42.9	50.1	58.9	73.5	89.2	115.9	156.6	231.0	455.3
	UPS+ 3 EBC	57.1	66.5	78.1	89.2	108.1	131.9	167.7	223.1	334.0	650.5
	UPS+ 4 EBC	79.8	88.9	103.9	119.1	141.9	172.7	216.8	293.8	442.2	861.7
	UPS+ 5 EBC	99.9	113.0	129.3	148.5	175.8	211.1	269.8	366.4	550.0	1078.7
	UPS+ 6 EBC	119.3	136.0	154.3	178.3	208.0	254.6	324.8	441.9	653.9	1289.4

3000 VA

		Backup Time (Min)									
		3000 W	2700 W	2400 W	2100 W	1800 W	1500 W	1200 W	900 W	600 W	300 W
No. of EBCs	UPS	3.3	4.1	5.1	6.4	8.3	10.8	14.9	21.9	36.7	78.9
	UPS+ 1 EBC	19.1	22.4	26.2	31.4	38.8	47.5	63.3	88.4	136.3	260.2
	UPS+ 2 EBC	38.7	43.3	50.6	59.4	74.2	89.6	116.1	157.2	233.3	457.8
	UPS+ 3 EBC	57.9	67.6	78.7	89.8	109.0	132.6	168.0	223.8	337.8	654.1
	UPS+ 4 EBC	80.9	89.7	104.8	119.9	143.0	173.6	217.3	294.7	447.1	866.5
	UPS+ 5 EBC	101.6	114.2	130.4	149.5	177.1	212.5	270.3	367.6	556.0	1084.9
	UPS+ 6 EBC	121.1	137.5	155.7	179.5	209.4	256.0	325.4	443.3	660.9	1296.1

Note:

1. Auto-detection of up to 6 external battery cabinets (EBC) but supports EBCs up to 10 numbers.
2. Battery autonomy times are based on operation at 25°C. The autonomy times are approximate and are based on fully charged batteries and can vary +/-5% because of battery manufacturing variances.
3. Runtime tool available at: [Runtime Tool: Liebert GXT5 \(vertiv.com\)](https://www.vertiv.com)

Comprehensive services for critical systems

Note	Part number	Description 1	Description 2	Description 3
Need to order both part numbers at the same time to get all scope for Power Emergency package (8x5). Please see SOW below.	88026970	Vertiv UPS with VRLA battery (1-3kVA)	Start-up/Installation	Power Emergency Bundle (8x5)
	88028371		Power Emergency Business Hour Contract (5 Years)	
Need to order both part numbers at the same time to get all scope for Power Emergency package (24x7). Please see SOW below.	88026978	Vertiv UPS with Lithium Ion battery (1-3kVA)	Start-up/Installation	Power Emergency Bundle (24x7)
	88028372		Power Emergency After Hour Contract (5 Years)	

Power Emergency Package (8X5)

The Power Emergency Package provides on-site emergency support with 100% parts and labor coverage and is available for single-phase UPS products up to 3kVA. Adding Vertiv services to your Vertiv UPS with VRLA battery (1-3kVA) ensures you are protected during an emergency.

Includes:

1. Five-year service coverage
2. Guaranteed 2-4hours on-site emergency response, 5 days/week, 8 hours/day, within 100 kms of a Vertiv's Service City.
3. Includes 24x7 professional Helpline
4. Advanced replacement of the faulty unit
5. Shipping costs are covered by Vertiv
6. Coverage for both electronic parts and battery failures
7. Start-up / Installation services
 - Start-up Services provide on-site technical support for installation and start-up of your UPS for you get up and running as quickly as possible during business hours.
 - Installation includes mounting the new UPS and powering it up
 - Configuring the IS-Webcard and make sure that it is online in their network (optional item)
 - Services performed by a Vertiv factory trained technician

Power Emergency Package (24X7)

The Power Emergency Package provides on-site emergency support with 100% parts and labor coverage and is available for single-phase UPS products up to 3kVA. Adding Vertiv services to your Vertiv UPS with VRLA battery (1-3kVA) ensures you are protected during an emergency.

Includes:

1. Five-year service coverage
2. Guaranteed 2-4hours on-site emergency response, 7 days/week, 24 hours/day, within 100 kms of a Vertiv's Service City.
3. Includes 24x7 professional Helpline
4. Advanced replacement of the faulty unit
5. Shipping costs are covered by Vertiv
6. Coverage for both electronic parts and battery failures
7. Start-up / Installation services
 - Start-up Services provide on-site technical support for installation and start-up of your UPS for you get up and running as quickly as possible 24x7.
 - Installation includes mounting the new UPS and powering it up
 - Configuring the IS-Webcard and make sure that it is online in their network (optional item)
 - Services performed by a Vertiv factory trained technician



Build your total infrastructure solution with Vertiv

Discover expert designed IT infrastructure solutions with proven success in diverse environments and countless applications.

Vertiv™ rPDU
Reliable power distribution with outlet level remote monitoring and management providing the highest level of power visibility and control.

Cable and Air Flow Management
Included accessories enable proper cable management and airflow to keep your equipment cool.

Vertiv™ VE Rack
Self-contained 42U server rack designed to simplify equipment installation and provides an additional 6cm of useable depth.

Software and IT Management
Monitor the entire system either locally or remotely to ensure you are alerted of out-of-range conditions that could result in costly downtime.

Vertiv™ Liebert® GXT5
Protect mission critical equipment in the event of power loss or extreme power fluctuations.

Vertiv™ UPS software benefits ladder

Feature	Vertiv™ Power Assist	Vertiv™ Power Insight	Vertiv™ Environet™ Alert	Vertiv™ Environet™ Connect
Management				
Mass Device Provisioning				•
Mass Device Configuration				•
Mass Firmware Upgrade				•
Hypervisor Plugin		vCenter, vXRail, Nutanix		
Automated Server Shutdown	•	•		
Reporting				
Analytics and Reporting			•	•
Historical Data		•	•	•
Thresholds and Alerts		•	•	•
Alarm Management	•	•	•	•
Monitoring				
IT Device Monitoring				
Thermal Monitoring			•	•
Power Monitoring	UPS Only	UPS and Rack PDU	•	•
Specifications				
Protocol Support	USB/SNMP	SNMP	SNMP, Modbus TCP, BACnet IP	SNMP
Equipment Support	Vertiv Only	Vertiv Only	Multi-Vendor	Multi-Vendor
Max. Devices Support	2	100	Scalable	Scalable
Software Architecture	On-prem	On-prem	On-Prem	Multi-Tenant Cloud based
Licensing	Free	Free	Perpetual	Subscription

