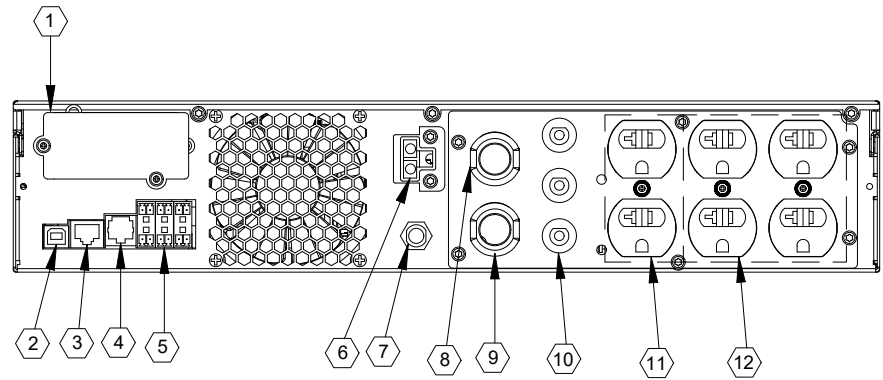
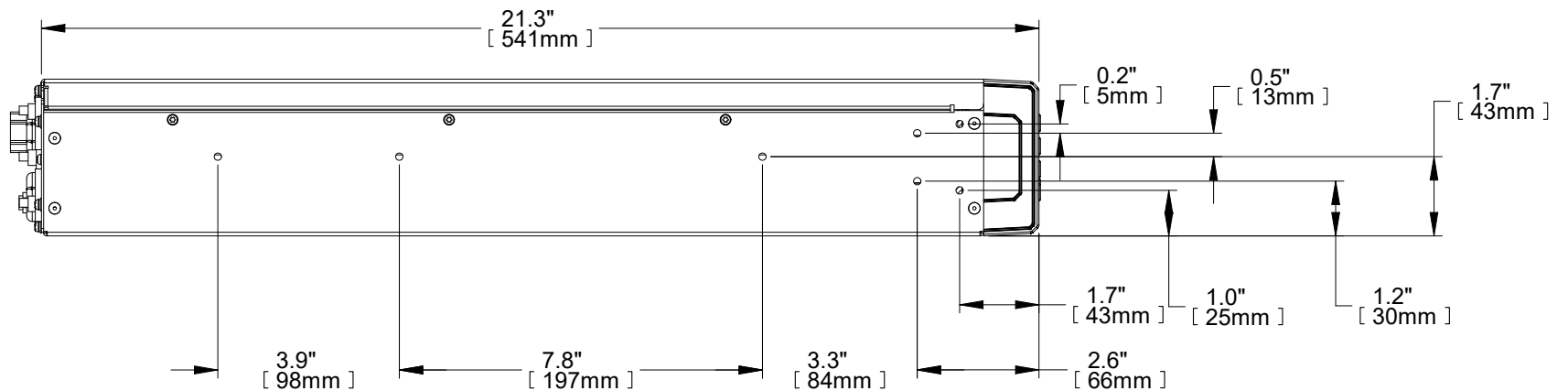


FRONT VIEW

FOR DETAIL
SEE DRAWING GXT5-DISPLAY



REAR VIEW



SIDE VIEW

- ① INTELLISLOT PORT
- ② USB PORT
- ③ RS485 PORT
- ④ RS232 PORT
- ⑤ TERMINAL BLOCK COMMUNICATION
- ⑥ EXTERNAL BATTERY CONNECTOR
- ⑦ 30A INPUT CIRCUIT BREAKER
- ⑧ OUTPUT POWER PLUG (L5-30R, 10 FEET/3M)
- ⑨ INPUT POWER PLUG (L5-30P, 10 FEET/3M)
- ⑩ OUTPUT CIRCUIT BREAKER
- ⑪ NON-PROGRAMMABLE OUTPUT RECEPTACLES IEC 60906-1 20A
- ⑫ PROGRAMMABLE OUTPUT RECEPTACLES IEC 60906-1 20A

NOTES:

1. UNIT DIMENSIONS (WxDxH): 16.9" x 21.3" x 3.3" (2U)
(430mm) x (541mm) x (85mm)
2. UNIT WEIGHT: 66lbs (30kg)
3. SHIPPING DIMENSIONS (WxDxH): 22.4" x 28.2" x 10.3"
(570mm) x (717mm) x (262mm)
4. SHIPPING WEIGHT: 77.2lbs (35.1kg)
5. MINIMUM AIRFLOW CLEARANCE IS 4.0" (100mm)
FRONT AND REAR.

DRAWN BY B. LAY	SHEET NO. 1 OF 1
CHK BY M. MCCLINCY	ECN NO.
REF. DWG.	ORDER NO.

OUTLINE DRAWING
LIEBERT GXT5 3000VA
100/120VAC RACK/TOWER UPS

DWG. NO. GXT5-3000LV_OD	DATE 1/30/19	REV. # 0	1050 DEARBORN DRIVE P.O. BOX 29186 COLUMBUS, OHIO 43229
----------------------------	-----------------	-------------	---

