

SYSTEM OVERVIEW

See detailed specifications on page 15.

Description:	Front Access Vertiv™ NetSure™ -48 VDC Battery Rack System consisting of a nominal 19" wide 7' tall or 23" wide 7', 6', or 5' tall relay rack, battery trays, and busbar termination assembly. The battery trays accommodate a variety of front terminal -48V valve regulated lead acid (VRLA) batteries. Includes factory routed and lugged cabling from each battery tray to the termination assembly. May also be equipped with optional left or right side mounted battery disconnect circuit breakers. When equipped with battery disconnect circuit breakers, factory CB alarm wiring is provided to an alarm card. The alarm card provides external relay contacts and resistive battery for connection to customer external alarm circuits.
Application:	For use with Vertiv™ NetSure™ -48VDC Power Systems and other -48VDC Power Systems.
Spec. Nos.:	588820100 (19"). 588820200 (23").
Models:	48BA1200-19 (19"). 48BA1200-23 (23").
Output Voltage:	-48VDC.
Capacity:	960A, maximum, when equipped with six (6) battery trays.
Agency Approval:	UL Listed, Seismic Zone 4.
Framework Type:	Relay Rack.
Mounting Width:	19" or 23" Wide (Nominal) Relay Rack (part of system).
Mounting Depth:	588820100: Determined by battery trays ordered. A 16.5" deep, 21" deep, and 22" deep battery tray is available. 588820200: Determined by battery trays ordered. A 22.5" deep battery tray is available.
Access:	Front for Installation and Maintenance.
Color:	Dark Gray.
Environment:	0°C to +40°C (+32°F to +104°F).

Vertiv™ NetSure™ -48 VDC Battery Rack System

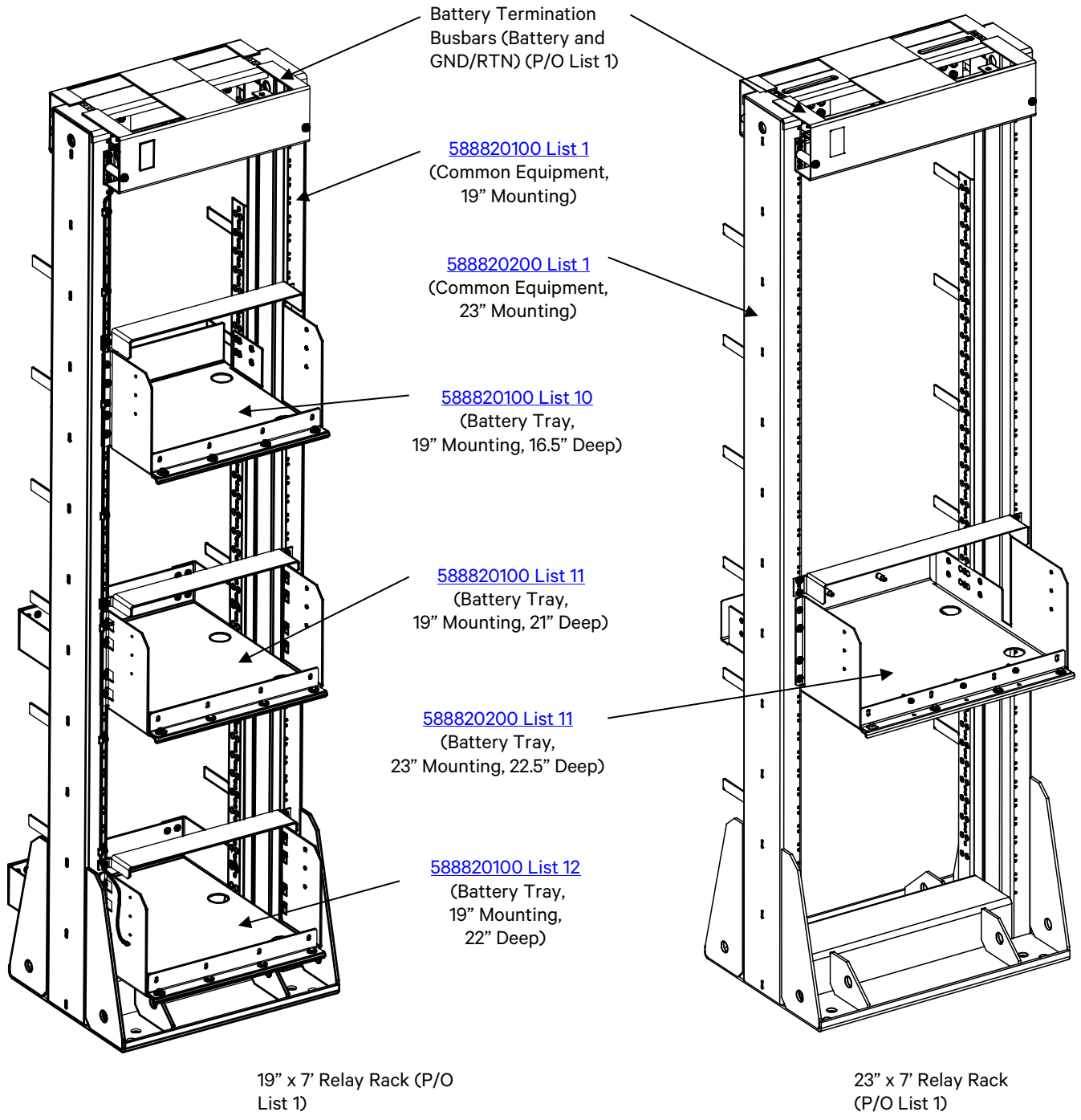
System Application Guide

TABLE OF CONTENTS

SYSTEM OVERVIEW	1
MAIN COMPONENTS ILLUSTRATIONS.....	3
588820100 and 588820200.....	3
ORDERING INFORMATION	4
List Options	4
Accessory Options	5
LIST DESCRIPTIONS	6
588820100 List 1: Common Equipment, -48V, 19" Battery Rack System.....	6
588820100 List 10: Battery Tray, 19" Mount, 16.5" Deep	6
588820100 List 11: Battery Tray, 19" Mount, 21" Deep.....	6
588820100 List 12: Battery Tray, 19" Mount, 22" Deep	7
588820200 List 1: Common Equipment, -48V, 23" Battery Rack System	8
588820200 List 2: Common Equipment, -48V, 23" Battery Rack System.....	8
588820200 List 3: Common Equipment, -48V, 23" Battery Rack System.....	8
588820200 List 11: Battery Tray, 23" Mount, 22.5" Deep	9
ACCESSORY DESCRIPTIONS	10
Relay Rack Isolation Kit.....	10
Batteries	11
19" Battery Shelf.....	11
23" Battery Shelf.....	12
Optional Front Battery Cover Kits.....	13
Optional Battery Disconnect Circuit Breaker Kits	14
SPECIFICATIONS.....	15
1.1 Environmental Ratings	15
1.2 Compliance Information.....	15
MECHANICAL SPECIFICATIONS	16
Overall Dimensions – 588820100 List 1 with List 10, List 11 or List 12.....	16
Overall Dimensions – 588820200 List 1, List 2, List 3 with List 11	17
Floor Mounting Dimensions – 588820100	18
Floor Mounting Dimensions – 588820200.....	18
Battery Lug Landing Dimensions – 588820100 and 588820200	19
Circuit Breaker Alarms	20
BATTERY MANUFACTURER INFORMATION.....	21
RELATED DOCUMENTATION	21

MAIN COMPONENTS ILLUSTRATIONS

588820100 and 588820200



Vertiv™ NetSure™ -48 VDC Battery Rack System

System Application Guide

ORDERING INFORMATION

List Options

Order the following by the items Part Number as specified in the following table.

When viewing electronically, click on the *Link* to jump to the detailed description page.

List No.	Part Number	Description
1	58882010001	Common Equipment, -48V, 19" Battery Rack System Includes (1) relay rack, (2) vertical tray mounting brackets, (1) busbar kit with covers, (12) cable lacing brackets, (1) instruction manual, and packaging.
10	58882010010	Battery Tray, 19" Mount, 16.5" Deep Includes tray, hardware, cable cut to length, lugs.
11	58882010011	Battery Tray, 19" Mount, 21" Deep Includes tray, hardware, cable cut to length, lugs.
12	58882010012	Battery Tray, 19" Mount, 22" Deep Includes tray, hardware, cable cut to length, lugs.
1	58882020001	Common Equipment, -48V, 23" Battery Rack System Includes (1) 7' tall relay rack, (2) vertical tray mounting brackets, (1) busbar kit with covers, (12) cable lacing brackets, (1) instruction manual, and packaging.
2	58882020002	Common Equipment, -48V, 23" Battery Rack System Includes (1) 6' tall relay rack, (2) vertical tray mounting brackets, (2) busbar kits with covers, (10) cable lacing brackets, (1) instruction manual, and packaging.
3	58882020003	Common Equipment, -48V, 23" Battery Rack System Includes (1) 5' tall relay rack, (2) vertical tray mounting brackets, (1) busbar kit with covers, (8) cable lacing brackets, (1) instruction manual, and packaging.
11	58882020011	Battery Tray, 23" Mount, 22.5" Deep Includes tray, hardware, cable cut to length, lugs.

Notes:

- 588820100: Vertical tray spacing is automatically determined by battery tray selection; 7RU for List 10, 6RU for List 11, and 8RU for List 12.
588820200: Vertical tray spacing is automatically determined by battery selection; 6RU, 7RU, or 8RU. If no battery is selected, spacing is 8RU.
- 588820100: The locations of the cable lacing brackets is determined by the tray spacing, total of six (6) per side.
588820200: The locations of the cable lacing brackets is determined by the tray spacing, total of six (6) per side for 6RU or 7RU and five (5) per side for 8RU.
- Cable size for each tray is 2AWG for optional battery disconnect circuit breakers selected up to 150A and 1/0AWG for circuit breakers selected over 150A or for systems without battery disconnects.
- If a battery type is not selected, battery terminal lugs are provided and shipped loose for all batteries listed for use with the battery tray ordered and for the cable size determined in Note 3).

Vertiv™ NetSure™ -48 VDC Battery Rack System

System Application Guide

Accessory Options

Order the following by the items Part Number as specified in the following table.

When viewing electronically, click on the *link* to jump to the detailed description page.

Description	Part Number
Relay Rack Isolation Kit	See ACCESSORY DESCRIPTIONS Section
Batteries	
Optional Front Battery Cover	
Optional Battery Disconnect Circuit Breaker Kits	

Vertiv™ NetSure™ -48 VDC Battery Rack System

System Application Guide

LIST DESCRIPTIONS

588820100 List 1: Common Equipment, -48V, 19" Battery Rack System

Features

- ◆ Provides the following equipment: (1) nominal 19" wide by 7' tall relay rack, (2) vertical tray mounting brackets, (1) busbar kit with covers, (12) cable lacing brackets, (1) instruction manual, and packaging.
- ◆ Factory assembled per battery trays and optional battery disconnect circuit breakers ordered.

Restrictions

The relay rack accommodates up to six (6) battery trays (spaced 6RU or 7RU apart, as determined by the battery tray ordered), or five (5) battery trays (spaced 8RU apart).

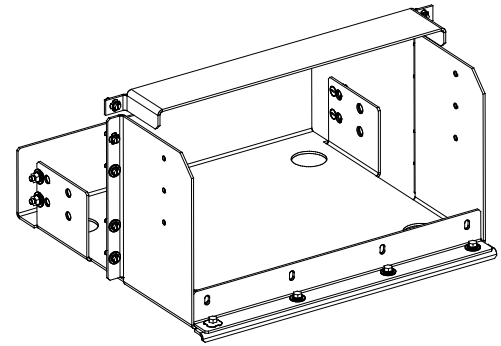
Ordering Notes

- 1) Order as required.
- 2) Order Relay Rack Isolation Kit, P/N 10019128, as required. See "Relay Rack Isolation Kit" on page 10.

588820100 List 10: Battery Tray, 19" Mount, 16.5" Deep

Features

- ◆ Provides a 16.5" deep battery tray for the nominal 19" wide relay rack provided as part of List 1. The battery tray holds four (4) 12V front terminal valve regulated lead acid (VRLA) batteries. Battery cabling is factory provided and connected to the system's main busbars. Batteries are configured as one (1) 48V string per tray.
- ◆ Trays can be ordered with or without a battery disconnect circuit breaker. When circuit breakers are ordered, one is provided in the - 48V lead of each battery string (1 circuit breaker per tray).
- ◆ Refer to the "Physical Size Information" section for dimensions.



Restrictions

Designed to accommodate the batteries listed under *Batteries* in the ACCESSORY DESCRIPTIONS section.

A single battery tray must mount at bottom of relay rack. Multiple battery trays must mount starting at bottom of relay rack and working upward. Factory spaces battery trays 7RU apart.

Cable size for each tray is 2AWG for optional battery disconnect circuit breakers selected up to 100A and 1/0AWG for circuit breakers selected over 100A or if circuit breakers are not selected.

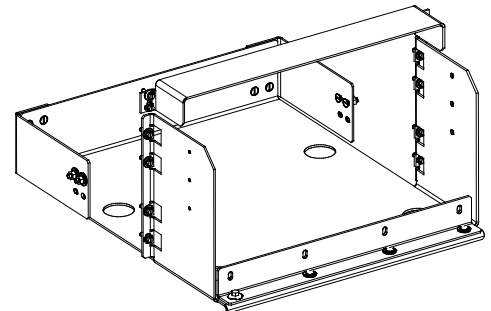
Ordering Notes

- 1) Order up to six (6) battery trays per relay rack, as required.
- 2) Order batteries separately. See *Batteries* in the ACCESSORY DESCRIPTIONS section. Battery cables and lugs factory provided and connected.
- 3) If an optional battery disconnect circuit breaker is desired, order per *Optional Battery Disconnect Circuit Breaker Kits* in the ACCESSORY DESCRIPTIONS section.

588820100 List 11: Battery Tray, 19" Mount, 21" Deep

Features

- ◆ Provides a 21" deep battery tray for the nominal 19" wide relay rack provided as part of List 1. The battery tray holds four (4) 12V front terminal valve regulated lead acid (VRLA) batteries. Battery cabling is factory provided and connected to the system's main busbars. Batteries are configured as one (1) 48V string per tray.
- ◆ Trays can be ordered with or without a battery disconnect circuit breaker. When circuit breakers are ordered, one is provided in the -48V lead of each battery string (1 circuit breaker per tray).
- ◆ Refer to the "Physical Size Information" section for dimensions.



Restrictions

Designed to accommodate the batteries listed under *Batteries* in the ACCESSORY DESCRIPTIONS section.

Vertiv™ NetSure™ -48 VDC Battery Rack System

System Application Guide

A single battery tray must mount at bottom of relay rack. Multiple battery trays must mount starting at bottom of relay rack and working upward. Factory spaces battery trays 6RU apart.

Cable size for each tray is 2AWG for optional battery disconnect circuit breakers selected up to 100A and 1/0AWG for circuit breakers selected over 100A or if circuit breakers are not selected.

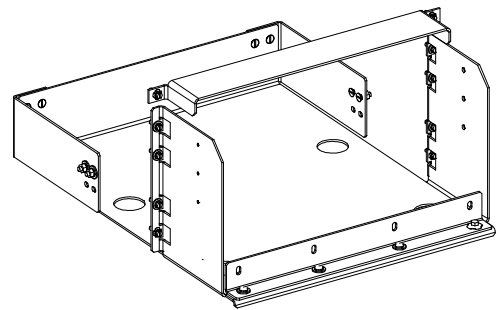
Ordering Notes

- 1) Order up to six (6) battery trays per relay rack, as required.
- 2) Order batteries separately. See *Batteries* in the ACCESSORY DESCRIPTIONS section. Battery cables and lugs factory provided and connected.
- 3) If an optional battery disconnect circuit breaker is desired, order per *Optional Battery Disconnect Circuit Breaker Kits* in the ACCESSORY DESCRIPTIONS section.

588820100 List 12: Battery Tray, 19" Mount, 22" Deep

Features

- ◆ Provides a 22" deep battery tray for the nominal 19" wide relay rack provided as part of List 1. The battery tray holds four (4) 12V front terminal valve regulated lead acid (VRLA) batteries. Battery cabling is factory provided and connected to the system's main busbars. Batteries are configured as one (1) 48V string per tray.
- ◆ Trays can be ordered with or without a battery disconnect circuit breaker. When circuit breakers are ordered, one is provided in the – 48V lead of each battery string (1 circuit breaker per tray).
- ◆ Refer to the "Physical Size Information" section for dimensions.



Restrictions

Designed to accommodate the batteries listed under *Batteries* in the ACCESSORY DESCRIPTIONS section.

A single battery tray must mount at bottom of relay rack. Multiple battery trays must mount starting at bottom of relay rack and working upward. Factory spaces battery trays 8RU apart.

Cable size for each tray is 2AWG for optional battery disconnect circuit breakers selected up to 100A and 1/0AWG for circuit breakers selected over 100A or if circuit breakers are not selected.

Ordering Notes

- 1) Order up to five (5) battery trays per relay rack, as required.
- 2) Order batteries separately. See *Batteries* in the ACCESSORY DESCRIPTIONS section. Battery cables and lugs factory provided and connected.
- 3) If an optional battery disconnect circuit breaker is desired, order per *Optional Battery Disconnect Circuit Breaker Kits* in the ACCESSORY DESCRIPTIONS section.

Vertiv™ NetSure™ -48 VDC Battery Rack System

System Application Guide

588820200 List 1: Common Equipment, -48V, 23" Battery Rack System

Features

- ◆ Provides the following equipment: (1) nominal 23" wide by 7' tall relay rack, (2) vertical tray mounting brackets, (1) busbar kit with covers, (12) cable lacing brackets, (1) instruction manual, and packaging.
- ◆ Factory assembled per battery trays and optional battery disconnect circuit breakers ordered.

Restrictions

The relay rack accommodates up to six (6) battery trays when spaced 6RU or 7RU apart and five (5) battery trays when spaced 8RU apart. Battery selection determines tray spacing.

Ordering Notes

- 1) Order as required.
- 2) Order Relay Rack Isolation Kit, P/N 10019125, as required. See "Relay Rack Isolation Kit" on page 10.

588820200 List 2: Common Equipment, -48V, 23" Battery Rack System

Features

- ◆ Provides the following equipment: (1) nominal 23" wide by 6' tall relay rack, (2) vertical tray mounting brackets, (2) busbar kits with covers, (10) cable lacing brackets, (1) instruction manual, and packaging.
- ◆ Factory assembled per battery trays and optional battery disconnect circuit breakers ordered.

Restrictions

The 6-foot relay rack accommodates up to five (5) battery trays when spaced 6RU apart and four (4) battery trays when spaced 7RU or 8RU apart. Battery selection determines tray spacing.

Ordering Notes

- 1) Order as required.
- 2) Order Relay Rack Isolation Kit, P/N 10019125, as required. See "Relay Rack Isolation Kit" on page 10.

588820200 List 3: Common Equipment, -48V, 23" Battery Rack System

Features

- ◆ Provides the following equipment: (1) nominal 23" wide by 5' tall relay rack, (2) vertical tray mounting brackets, (1) busbar kit with covers, (8) cable lacing brackets, (1) instruction manual, and packaging.
- ◆ Factory assembled per battery trays and optional battery disconnect circuit breakers ordered.

Restrictions

The 5-foot relay rack accommodates up to four (4) battery trays when spaced 6RU apart and three (3) battery trays when spaced 7RU or 8RU apart. Battery selection determines tray spacing.

Ordering Notes

- 1) Order as required.
- 2) Order Relay Rack Isolation Kit, P/N 10019125, as required. See "Relay Rack Isolation Kit" on page 10.

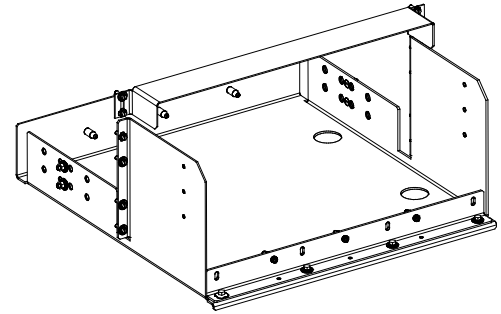
Vertiv™ NetSure™ -48 VDC Battery Rack System

System Application Guide

588820200 List 11: Battery Tray, 23" Mount, 22.5" Deep

Features

- ◆ Provides a 22.5" deep battery tray for the nominal 23" wide relay rack provided as part of List 1. The battery tray holds four (4) 12V front terminal valve regulated lead acid (VRLA) batteries. Battery cabling is factory provided and connected to the system's main busbars. Batteries are configured as one (1) 48V string per tray.
- ◆ Trays can be ordered with or without a battery disconnect circuit breaker. When circuit breakers are ordered, one is provided in the -48V lead of each battery string (1 circuit breaker per tray).
- ◆ Refer to the "Physical Size Information" section for dimensions.



Restrictions

Designed to accommodate the batteries listed under *Batteries* in the ACCESSORY DESCRIPTIONS section.

A single battery tray must mount at bottom of relay rack. Multiple battery trays must mount starting at bottom of relay rack and working upward. Factory spaces battery trays 6RU, 7RU, or 8RU apart as determined by battery selected. If no battery selected, factory spaces battery trays 8RU apart.

Cable size for each tray is 2AWG for optional battery disconnect circuit breakers selected up to 150A and 1/0AWG for circuit breakers selected over 150A or if circuit breakers are not selected.

Ordering Notes

- 1) Order quantity of battery trays up to the maximum quantity that can be accommodated in the relay rack per the common equipment selected, as required.
- 2) Order batteries separately. See *Batteries* in the ACCESSORY DESCRIPTIONS section. Battery cables and lugs factory provided and connected.
- 3) If optional front battery covers are desired, order per *Optional Front Battery Covers* in the ACCESSORY DESCRIPTIONS section.
- 4) If an optional battery disconnect circuit breaker is desired, order per *Optional Battery Disconnect Circuit Breaker Kits* in the ACCESSORY DESCRIPTIONS section.

ACCESSORY DESCRIPTIONS

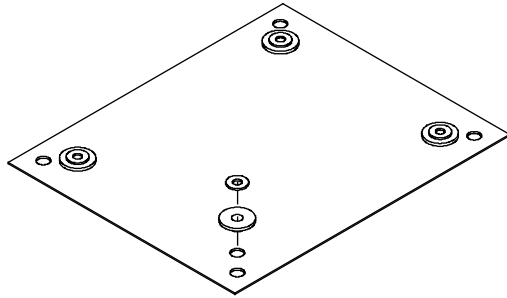
Relay Rack Isolation Kit

Features

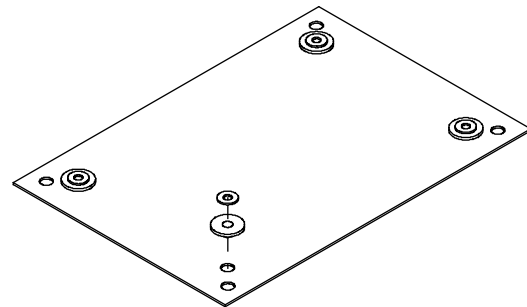
- ◆ Provides electrical isolation of the relay rack from the concrete floor. Includes an insulating pad, four (4) insulating bushings, and four (4) flat washers to be used with the anchors used to mount the relay rack to the floor.

Ordering Notes

- 1) Order P/N 10019128 for a Relay Rack Isolation Kit to be used with 588820100.
- 2) Order P/N 10019125 for a Relay Rack Isolation Kit to be used with 588820200.



10019128



10019125

Vertiv™ NetSure™ -48 VDC Battery Rack System

System Application Guide

Batteries

19" Battery Shelf

Manufacturer*	Manufacturer P/N	Vertiv P/N (12V Module)	Capacity (A-Hr)	Dimension W x L x H (Inches) (per 12V Module)	Min Tray Spacing (RU)	Weight (lb) (per 12V Module)	Lug Kit 2AWG	Lug Kit 1/OAWG
Deka	12AVR100ET	241270905	96	4.33 x 20.13 x 9.38	6	75	528234	528235
Douglas	DSN12-100F	--	100	4.24 x 15.59 x 11.30	7	77.7	528234	528235
Douglas	DSN12-90F	--	88	4.24 x 15.59 x 10.04	7	70.6	528234	528235
Energys	12V92F	122005	92	4.10 x 16.40 x 10.10	7	61.7	528234	528235
Energys	12VE115F	--	101	4.33 x 20.10 x 9.25	6	80.5	528234	528235
Energys	SBS 100F	--	100	4.30 x 15.60 x 11.30	7	71.9	528234	528235
Energys	SBS C11F	--	91	4.10 x 16.40 x 10.10	7	61.6	528234	528235
Energys	12V125F	122009	125	4.10 x 22.10 x 12.40	8	124	528234	528235
FIAMM	12UMTX100/19FT	--	100	4.25 x 15.55 x 10.83	7	74.8	528234	528235
GNB	M12V105FT	103715	100	4.33 x 20.12 x 9.37	6	78.8	528234	528235
GNB	M12V90FT	524858	86	4.13 x 15.55 x 10.63	7	68.2	528234	528235
Northstar	NSB100FT	--	100.5	4.24 x 15.59 x 11.30	7	78.5	528234	528235
Northstar	NSB12-330FT	--	(330W)	4.20 x 15.60 x 10.00	7	70.6	528234	528235
Northstar	NSB12-380FT	--	(380W)	4.20 x 15.60 x 11.30	7	78.3	528234	528235
Northstar	NSB90FT	--	87.8	4.24 x 15.59 x 10.04	7	70.6	528234	528235

* See [Battery Manufacturer Information](#)

Vertiv™ NetSure™ -48 VDC Battery Rack System

System Application Guide

23" Battery Shelf

Manufacturer*	Manufacturer P/N	P/N (12 V Module)	Capacity (A-Hr)	Dimension W x L x H (Inches) (per 12 V Module)	Min Tray Spacing (RU)	Weight (lb) (per 12V Module)	Lug Kit 2 AWG	Lug Kit 1/0 AWG
C&D	TEL12-160F	140456	157	5.0 x 22.0 x 11.10	7	116.8	528236	528237
C&D	TEL12-180F	--	181	5.0 x 22.0 x 12.60	8	132.3	528236	528237
C&D	TEL12-210F	554579	202	5.0 x 22.0 x 12.60	8	132.3	528236	528237
Deka	12AVR-150ET	122018	150	4.90 x 22.00 x 11.75	8	115	528234	528235
Deka	12AVR-170ET	541381	170	4.90 x 22.0 x 12.60	8	120	528234	528235
Deka	HT170ET	--	164	4.93 x 22.17 x 12.58	8	118	528234	528235
Enersys	12V155FS	122010	155	4.90 x 22.10 x 11.10	7	106.9	528234	528235
Enersys	12V170FS	--	170	4.90 x 22.10 x 11.10	7	112	528234	528235
Enersys	SBS 170F	--	170	4.92 x 22.10 x 11.10	7	116	528234	528235
Enersys	SBS 190F	--	190	4.90 x 22.10 x 12.40	8	132	528234	528235
FIAMM	12FAT100	--	100	4.96 x 21.97 x 9.06	6	95	528234	528235
FIAMM	12FAT155	--	155	4.96 x 21.97 x 12.64	8	129	528234	528235
FIAMM	12FAT180	--	100	4.96 x 21.97 x 12.64	8	134	528234	528235
FIAMM	12FAT181	--	180	4.96 x 21.97 x 12.64	8	130	528234	528235
Northstar	NSB155FT RED	--	155	4.90 x 22.0 x 11.00	7	101	528234	528235
Northstar	NSB170FT RED	126111	170	4.90 x 22.00 x 12.60	8	116	528234	528235
Northstar	NSB190FT RED	--	190	4.90 x 22.00 x 12.60	8	123	528234	528235
Northstar	NSB155FT HT	--	154	4.90 x 22.00 x 11.0	7	117	528234	528235
Northstar	NSB170FT HT	--	174	4.90 x 22.00 x 12.60	8	121	528234	528235
Northstar	NSB190FT HT	--	190	4.90 x 22.00 x 12.60	8	132	528234	528235
GS Yuasa	PYL12V160FT	--	160	4.90 x 21.90 x 11.0	7	116.2	528234	528235
GS Yuasa	PYL12V185FT	--	185	4.90 x 21.90 x 12.50	8	133.8	528234	528235

* See [Battery Manufacturer Information](#)

Optional Front Battery Cover Kits

Features

- ◆ Provides a front battery cover to the battery tray.

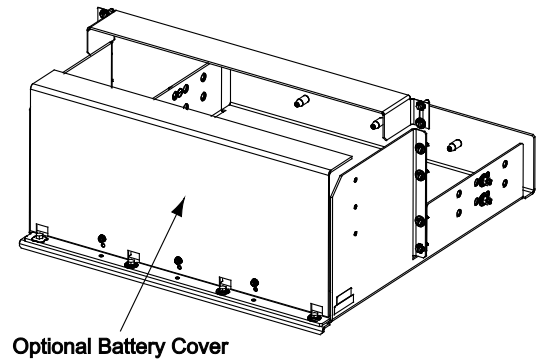
Restrictions

For 23" battery trays only.

Ordering Notes

- 1) Order one (1) kit per tray, as required, from the following table.

Part Number	Height
562128	8U
562053	7U
562145	6U



Optional Battery Disconnect Circuit Breaker Kits

Features

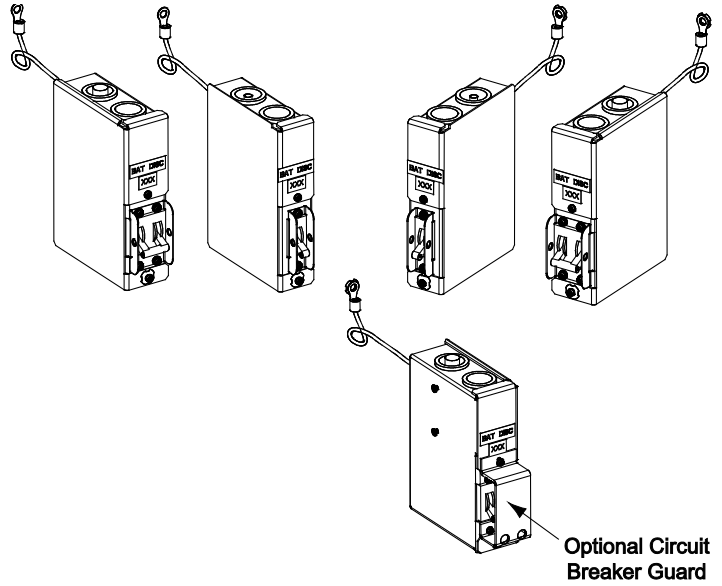
- ◆ Provides a battery disconnect circuit breaker housing mounted on the left or right side of the battery tray. Selected circuit breaker factory installed and wired.

Restrictions

Factory wires Battery Rack System with 2AWG cables for battery disconnect circuit breakers selected up to 150A and 1/0AWG cables for circuit breakers selected over 150A.

Ordering Notes

- 1) Order one (1) kit per tray, as required, from the following table. Also order an optional circuit breaker guard per circuit breaker if desired.



Part Number	Description	Circuit Breaker Guard
559813	Single Pole, Right Side Mounted	not available
559814	Single Pole, Left Side Mounted	
559815	Double Pole, Right Side Mounted	548014
559816	Double Pole, Left Side Mounted	

- 2) Order one (1) circuit breaker per tray from the following table.

Ampere Rating	P/N Electrical/Mechanical Trip ¹ (Black Handle)	No. of Poles
30	256693100	1-Pole
35	256693500	
40	256693900	
50	256694300	
60	256694700	
70	256695100	
75	256695500	
100	256695900	
125	100765	2-Pole
150	100763	
200	121810	

Circuit Breaker Alarm Operation:

¹Provides an alarm during an electrical or manual trip condition.

Vertiv™ NetSure™ -48 VDC Battery Rack System

System Application Guide

SPECIFICATIONS

- 1.1 Environmental Ratings
 - 1.1.1 Operating Ambient Temperature Range: 0°C to +40°C (+32°F to +104°F).
 - 1.1.2 Storage Ambient Temperature Range: -40°C to +85°C (-40°F to +185°F).
 - 1.1.3 Humidity: This system is capable of operating in an ambient relative humidity range of 0% to 95%, non-condensing.
 - 1.1.4 Altitude:
 - (A) Operating: -200 feet (-61 meters) to 10,000 feet (3048 meters). Derate operating ambient temperature range by 2°C per 1000 feet (305 meters) above 5000 feet (1524 meters).
 - (B) Storage and Transportation: -1,000 feet (-305 meters) to 50,000 feet (15,241 meters).
 - 1.1.5 Mounting: This equipment is intended only for installation in a Restricted Access Location on or above a non-combustible surface.
 - 1.1.6 Aisle Space Clearance: Recommended minimum aisle space clearance is 2'6" for the front of the Battery Rack System and 4" for the rear of the Battery Rack System.
- 1.2 Compliance Information
 - 1.2.1 Safety Compliance: This power board is UL Listed as a DC Power Distribution Center for Communications Equipment. This unit meets the requirements of CSA 22.2, No. 225 and is tested and Certified by UL ("c UL") as a Custom Built Power Distribution Center for Communications Equipment.
 - 1.2.2 Seismic Compliance: NEBS Zone 4 Earthquake compliant when equipped with four (4) or fewer battery trays.

Vertiv™ NetSure™ -48 VDC Battery Rack System

System Application Guide

MECHANICAL SPECIFICATIONS

Overall Dimensions – 588820100 List 1 with List 10, List 11 or List 12

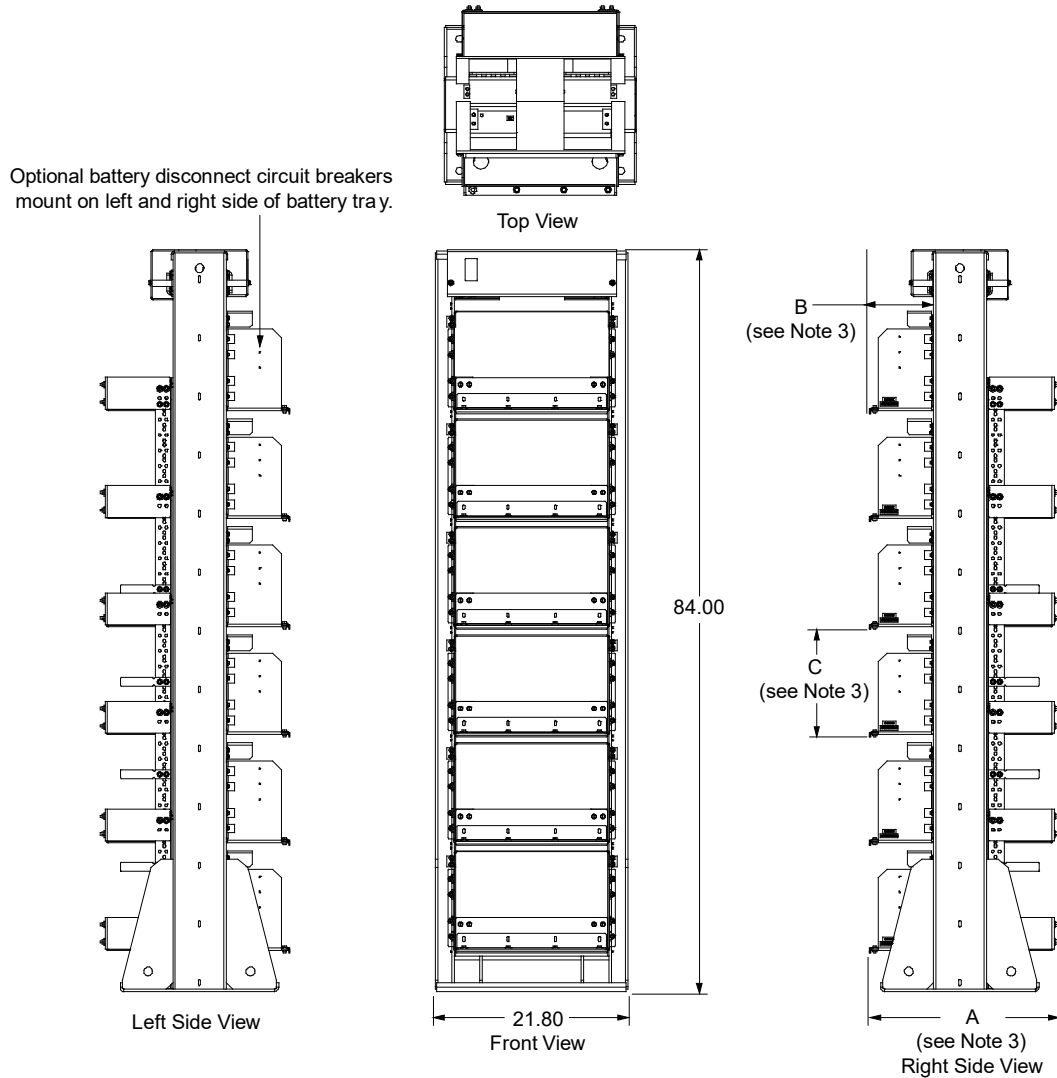
Notes:

1. Dimensions are in inches.
2. P/N 565381 battery tray shown, P/N 565376 similar.

3.

List No.	Tray P/N	Tray Overall Dimensions	Weight (LBS)		Dimensions		
			w/ Circuit Breaker Option	w/out Circuit Breaker Option	A	B	C
588820100 List 10	565376	19" Mounting 16.5" Deep			16.5	7.29	7RU
588820100 List 11	565381	19" Mounting 21" Deep			21.0	7.29	6RU
588820100 List 12	565384	19" Mounting 22" Deep			22.35	7.29	8RU

4. Finish: Dark Gray
5. Maximum trays available per rack is six (6) for 6RU or 7RU, five (5) for 8RU.



Vertiv™ NetSure™ -48 VDC Battery Rack System

System Application Guide

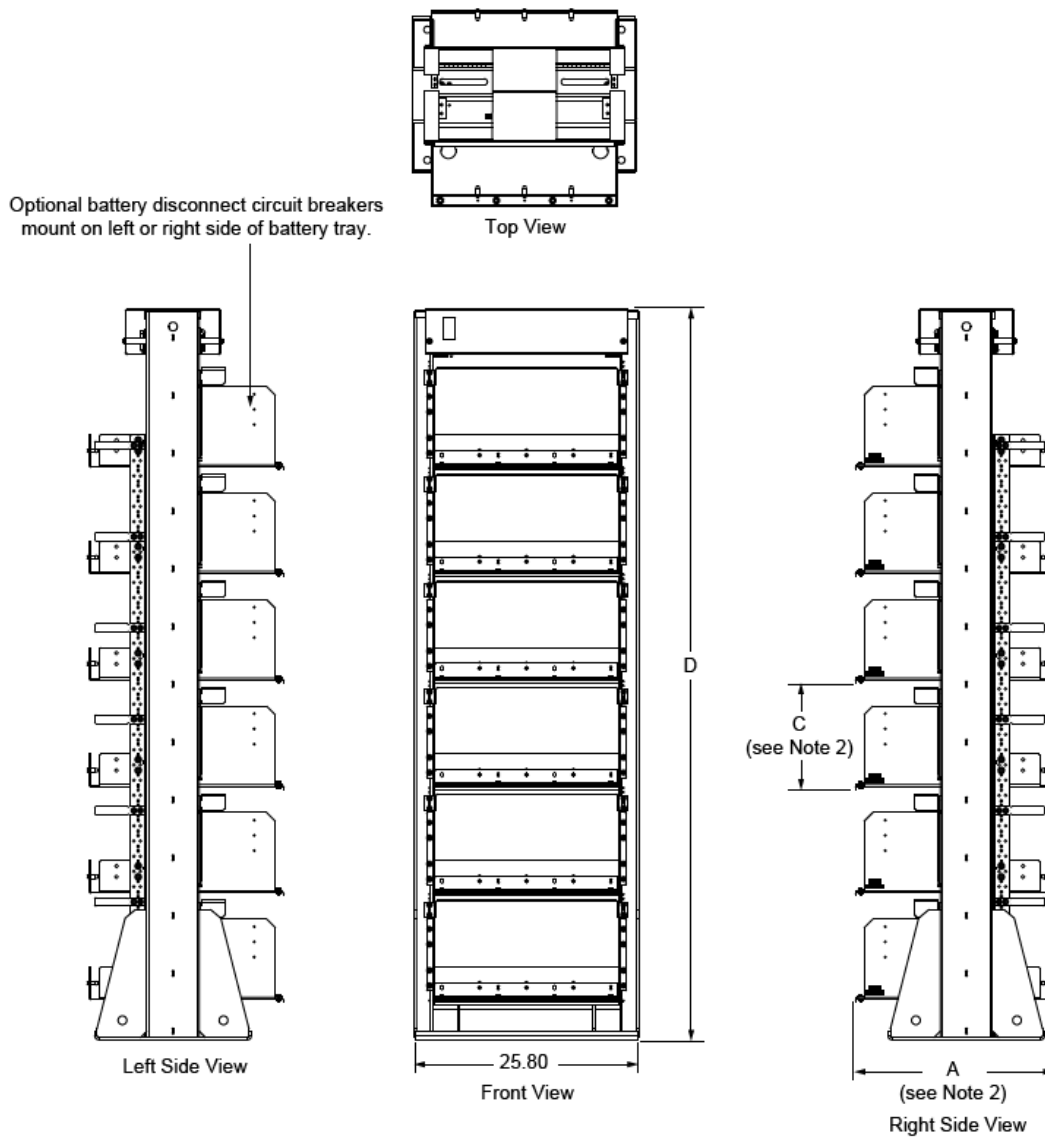
Overall Dimensions – 588820200 List 1, List 2, List 3 with List 11

Notes:

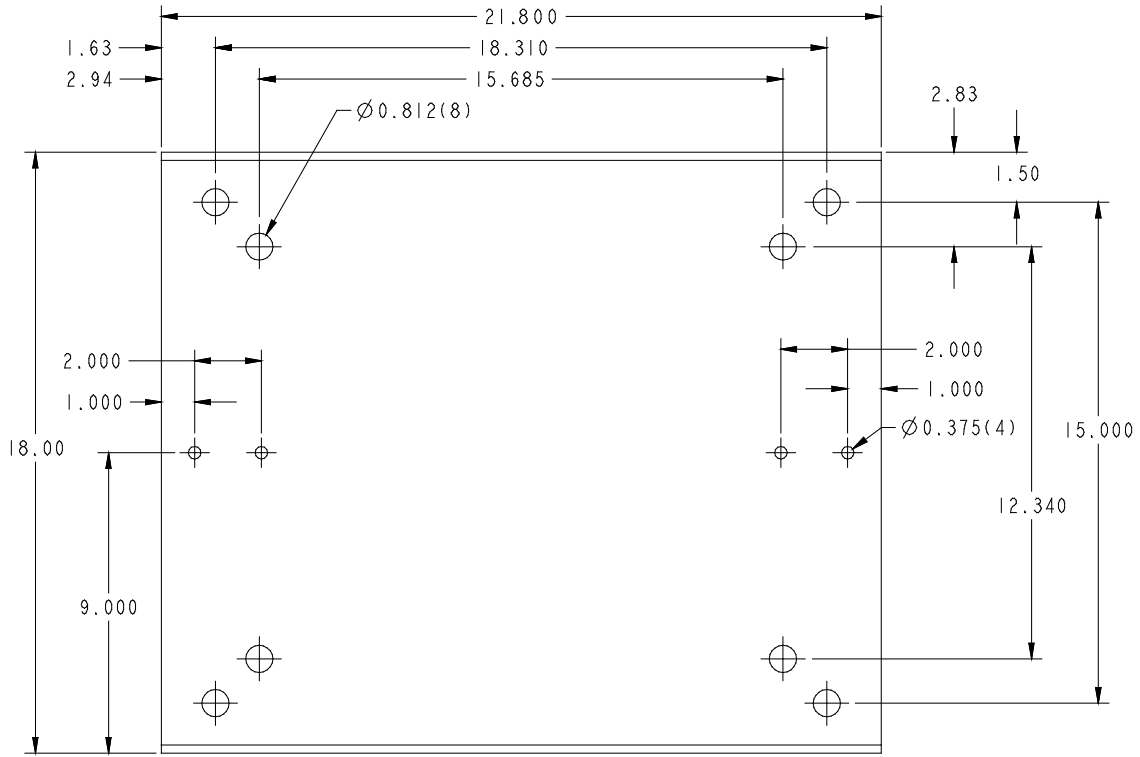
1. Dimensions are in inches.
- 2.

List No.	Tray P/N	Tray Overall Dimensions	Weight (LBS)		Dimensions (in)		
			w/ Circuit Breaker Option	w/out Circuit Breaker Option	A	C	Height (Rack) D
588820200 List 1	565398	23" Mounting 22.5" Deep	276.5	275	22.5	6RU, 7RU, or 8RU	84
588820200 List 2			251.5	250			72
588820200 List 3			228.5	227			60

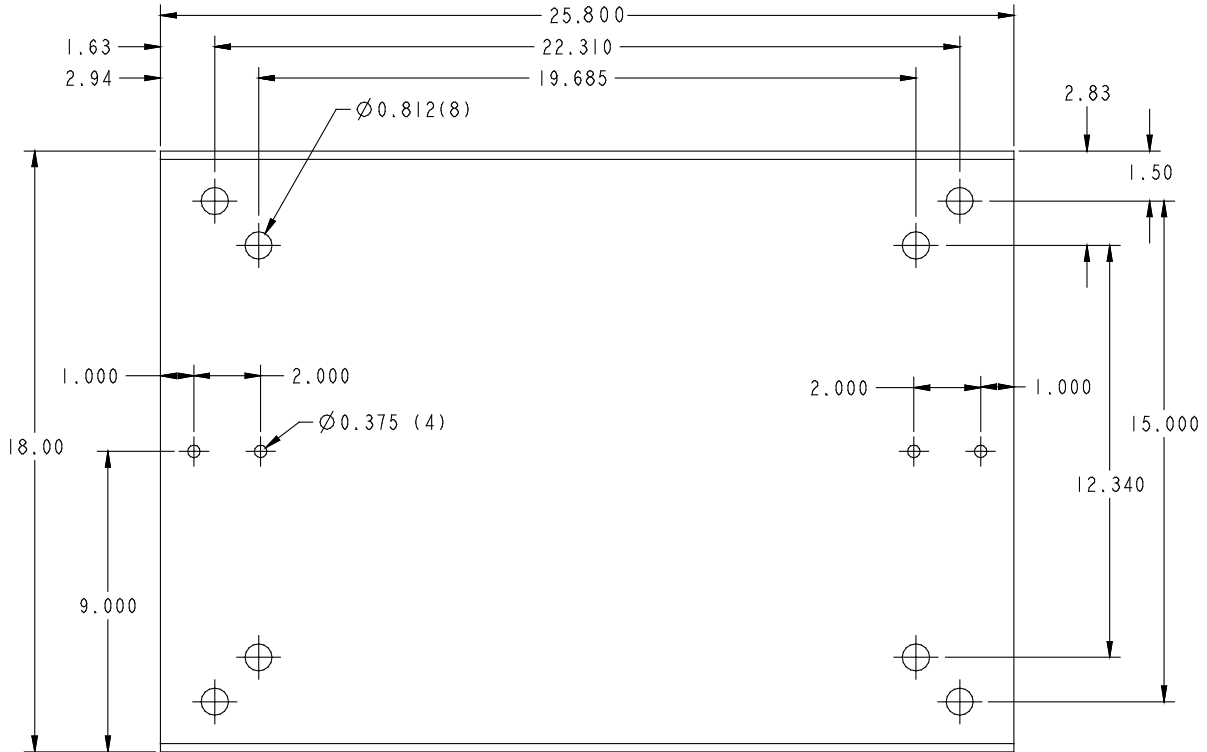
3. Finish: Dark Gray



Floor Mounting Dimensions – 588820100



Floor Mounting Dimensions – 588820200



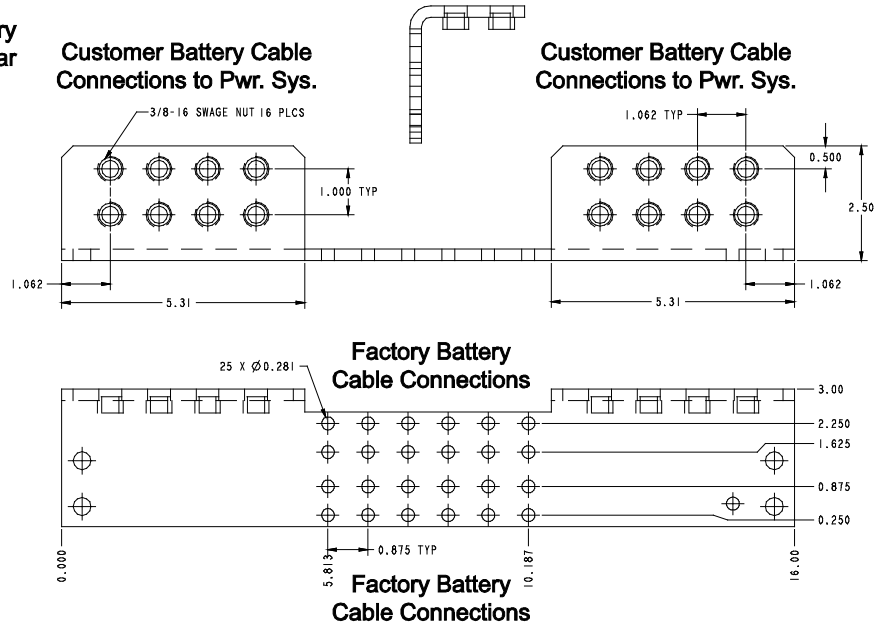
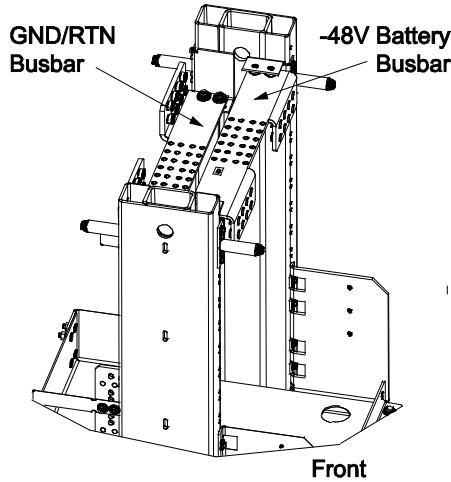
Battery Lug Landing Dimensions – 588820100 and 588820200

588820100

Top of Relay Rack

(some components removed for clarity)

-48V Battery and GND/RTN Busbars

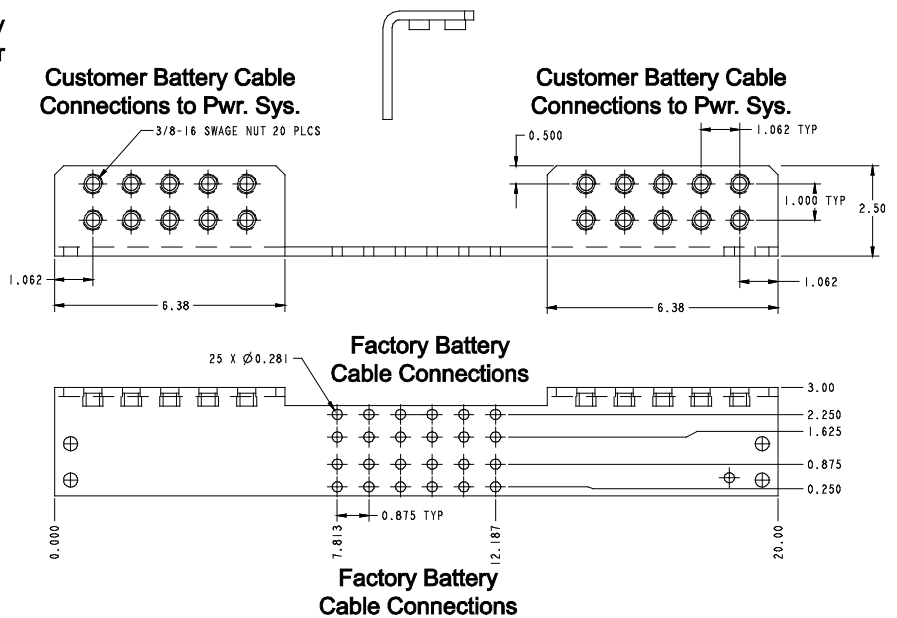
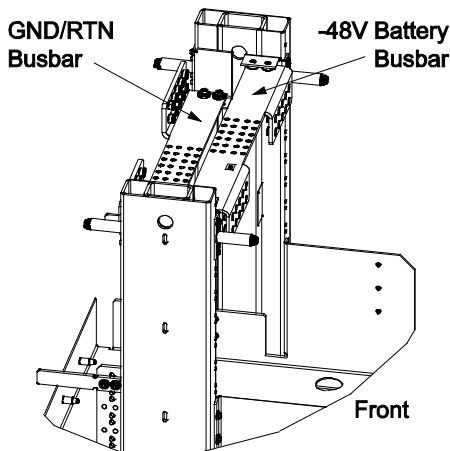


588820200

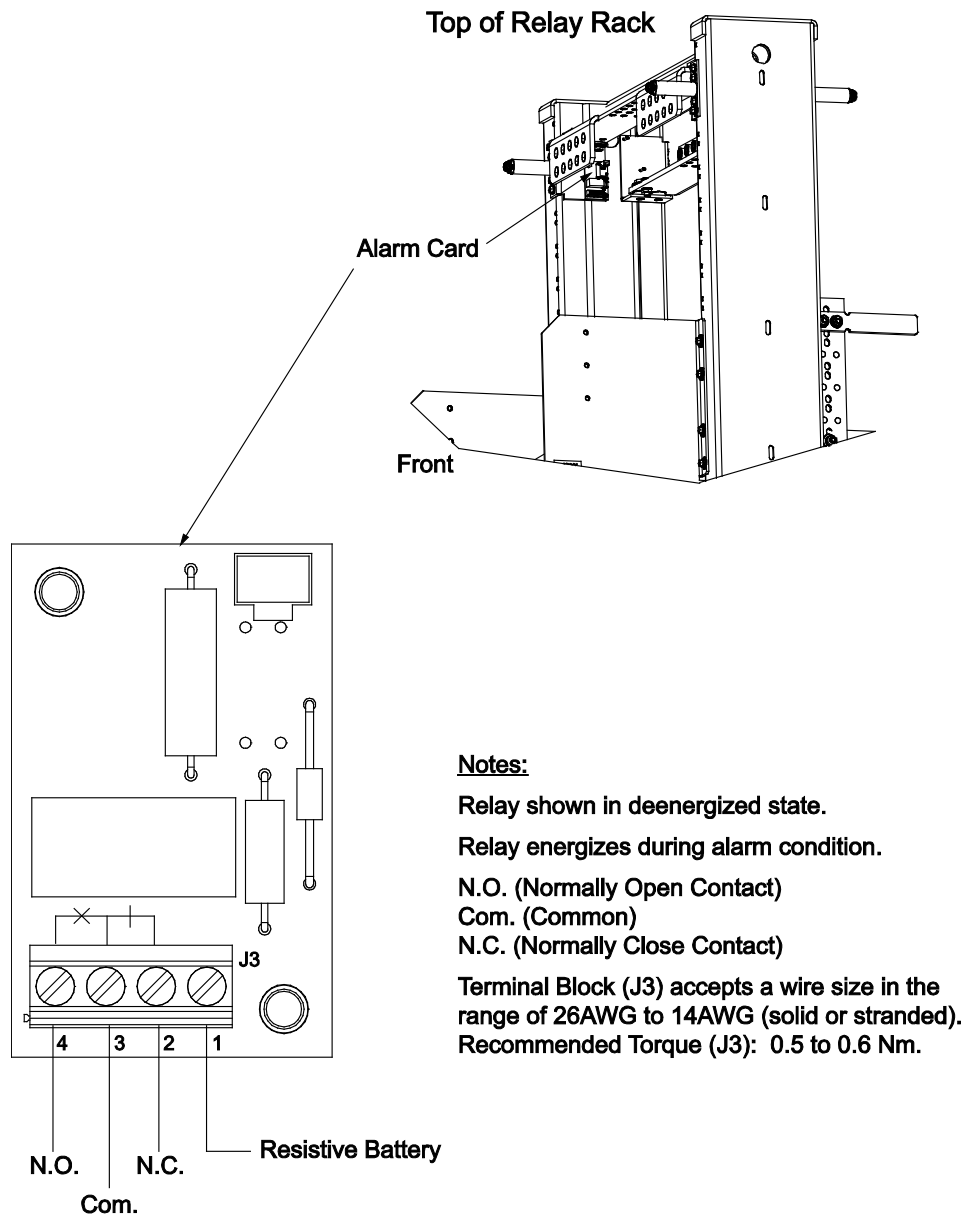
Top of Relay Rack

(some components removed for clarity)

-48V Battery and GND/RTN Busbars



Circuit Breaker Alarms



Vertiv™ NetSure™ -48 VDC Battery Rack System

System Application Guide

BATTERY MANUFACTURER INFORMATION

The Battery Rack Systems described in this System Application Guide are designed to accommodate batteries from various manufacturers. The following are referenced in this document.

C&D: C&D Technologies, Inc., Powercom Div., 1400 Union Meeting Road, Blue Bell, PA 19422-0858

Deka: East Penn Mfg. Co., Inc., Lyon Station, PA 19536-0147

Douglas: Douglas Battery Mfg. Co., 500 Battery Dr., Winston-Salem, NC 27117-2159

Fiamm: FIAMM T.I., 23880 Industrial Park Drive, Farmington Hills, Detroit, MI 48335

GNB Marathon™: GNB Industrial Power, a Division of Exide Technologies, Princeton, NJ 08543

Northstar: NorthStar Battery Co. LLC, 4000 Continental Way, Springfield, MO 65803

PowerSafe EnerSys™: EnerSys Inc., Reading, PA, 196212-4145

RELATED DOCUMENTATION

Schematic Diagram: SD588820100/SD588820200

Wiring Diagram: T588820100/T588820200

Instructions: Section 6045

Vertiv.com | Vertiv Headquarters, 505 N Cleveland Ave, Westerville, OH 43082, USA

© 2023 Vertiv Group Corp. All rights reserved. Vertiv™ and the Vertiv logo are trademarks or registered trademarks of Vertiv Group Corp. All other names and logos referred to are trade names, trademarks or registered trademarks of their respective owners. While every precaution has been taken to ensure accuracy and completeness here, Vertiv Group Corp. assumes no responsibility, and disclaims all liability, for damages resulting from use of this information or for any errors or omissions.

