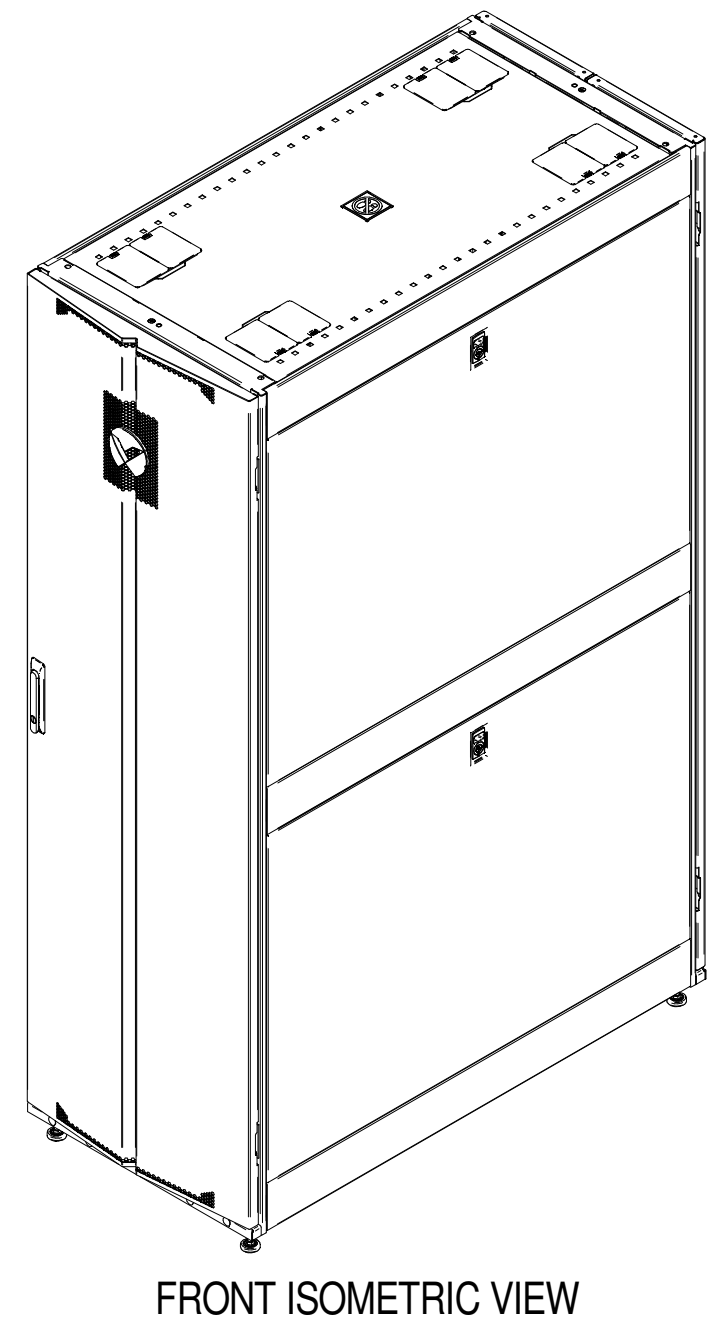
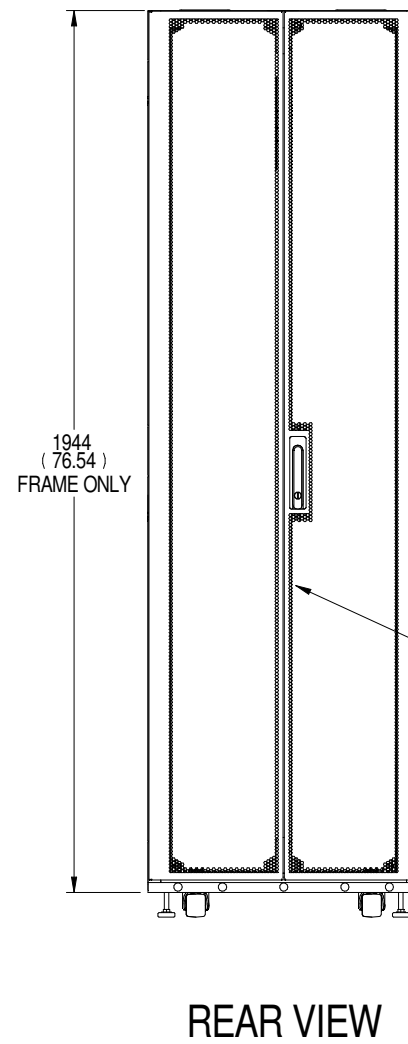
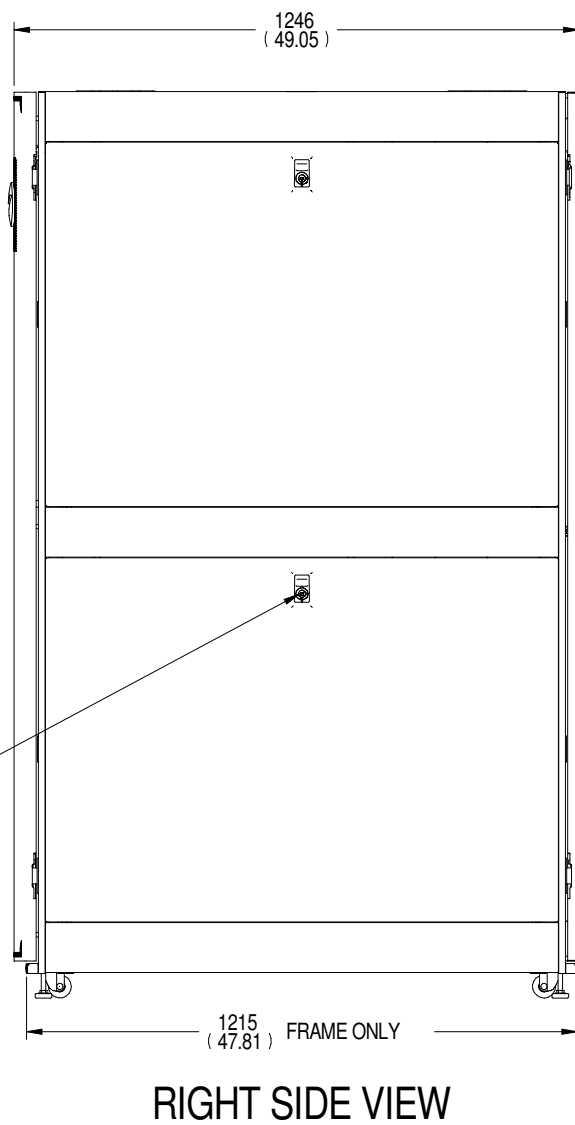


0.9 (20 GA) SOLID LIFT OFF SIDE
PANELS WITH LOCKED KEYED
(2) PER SIDE
KEYED 1333

LEVELING FEET
QTY (4)



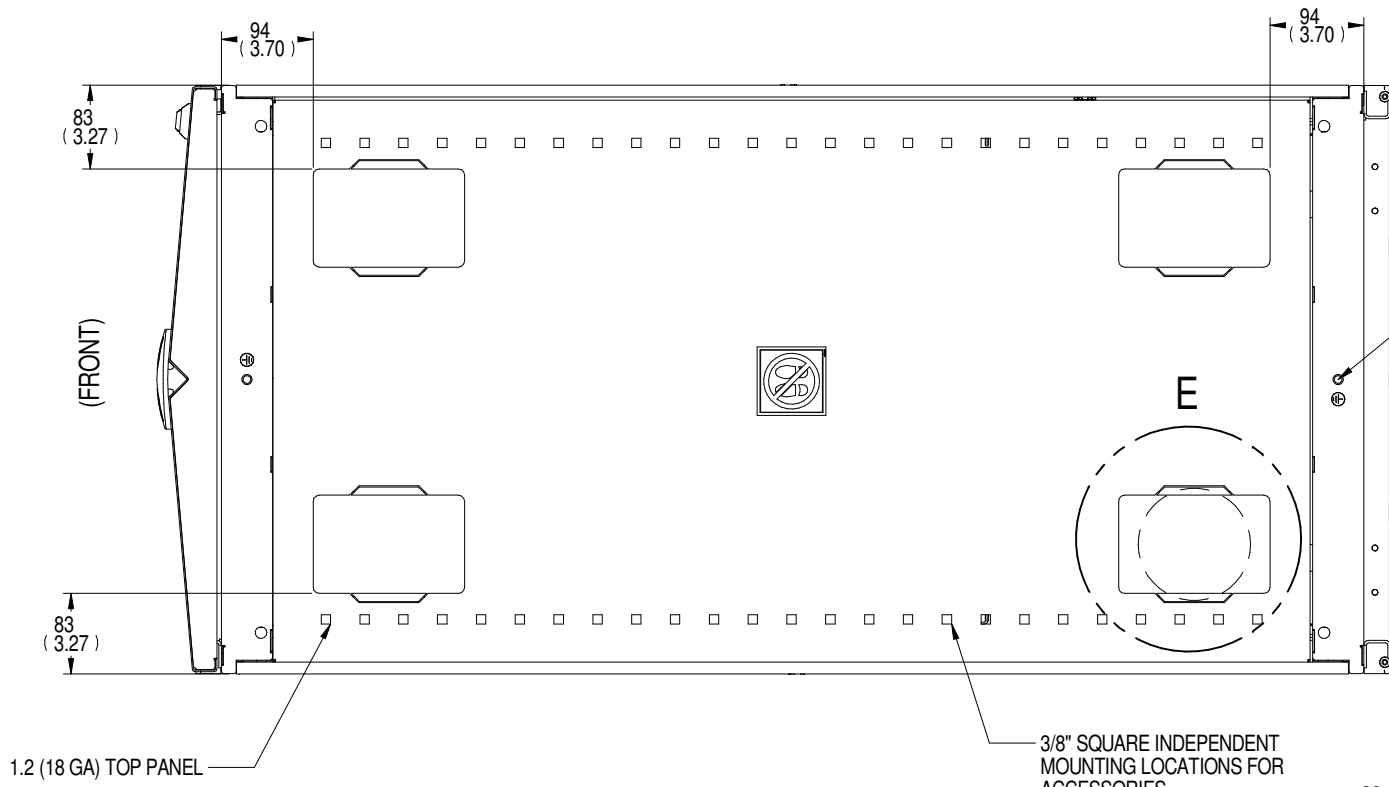
- NOTES:
1. ALL DIMENSIONS ARE MM (INCH), TOLERANCES ±2.5 (±0.1)
 2. UNIT WEIGHT: 136.9 KG (301.8 LBS)
 3. STATIC WEIGHT CAPACITY: 1361 KG (3000 LBS)
 4. DYNAMIC WEIGHT CAPACITY: 1021 KG (2250 LBS)
 5. PACKAGE OF M6 SCREWS, CAGE NUTS INCLUDED.

DRAWN BY: TED BEAVER	SHEET NUMBER: 1 OF 3
CHECKED BY: BRAD REINBOLT	ECN NUMBER: N/A
REFERENCE DRAWING: N/A	QUOTE NUMBER: N/A

TITLE / DESCRIPTION
VERTIV VR RACK
42U X 600mm W x 1200mm D

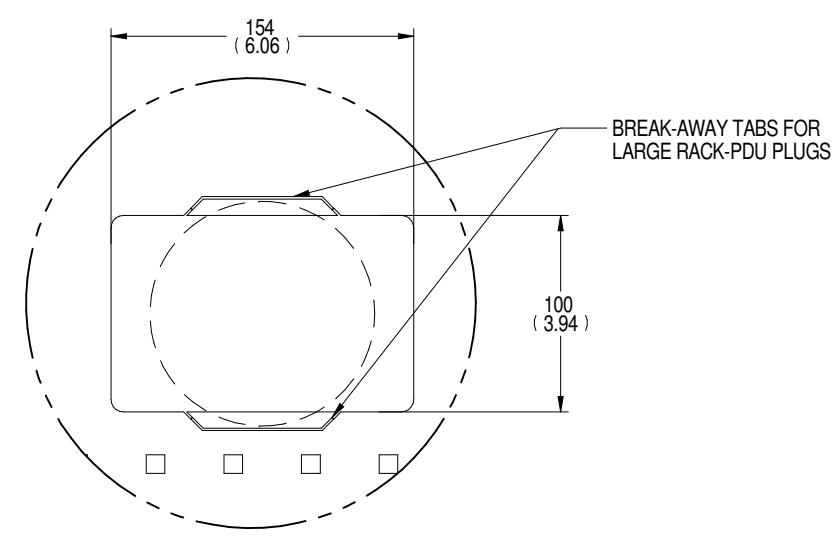
VR3300			
DRAWING NUMBER: VR3300-SUBTL	DATE: 03/12/18	REV#: 1	1050 DEARBORN DRIVE P.O. BOX 29186 COLUMBUS, OHIO 43229



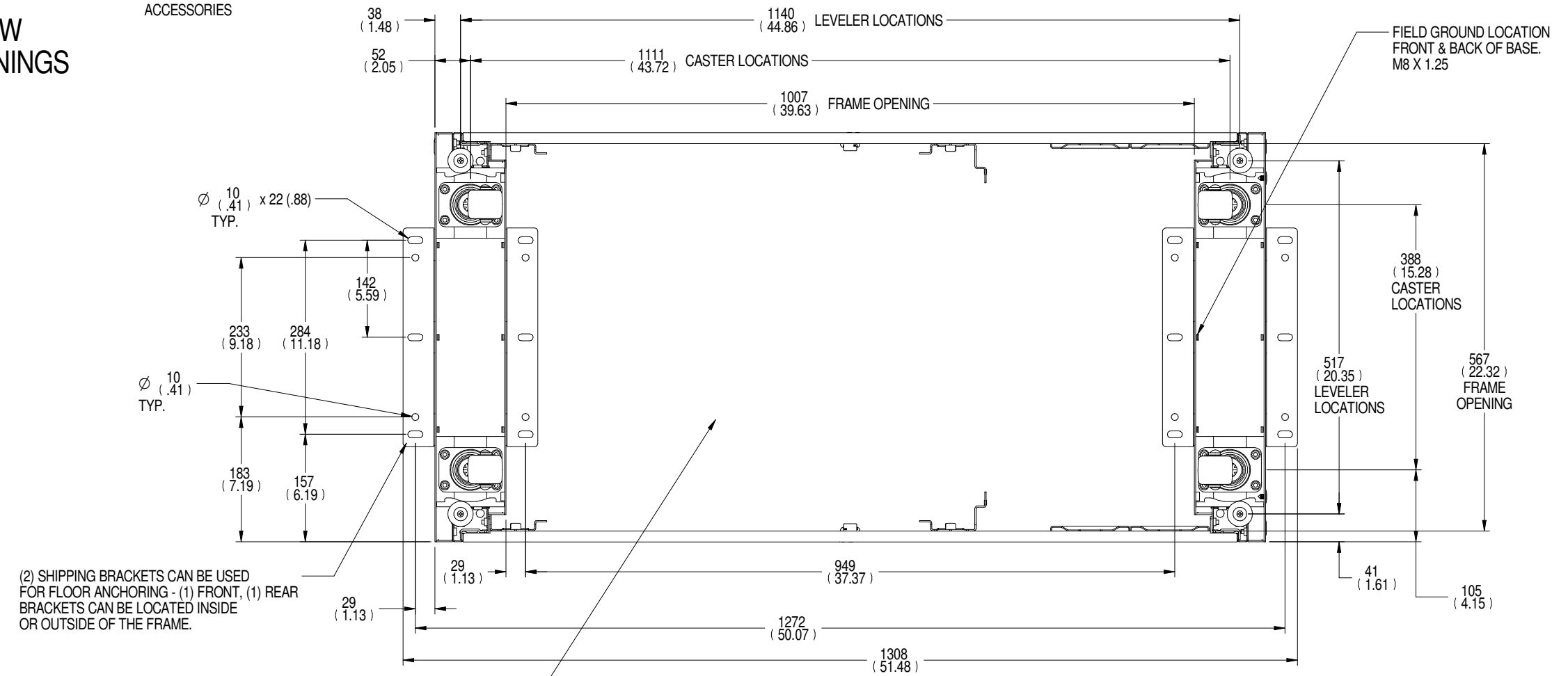


**TOP VIEW
CABLE OPENINGS**

FIELD GROUND LOCATION
FRONT & BACK OF TOP.
M8 X 1.25

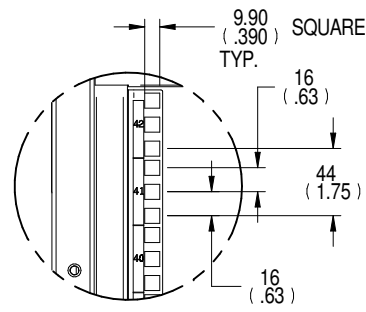


**DETAIL E
TYPICAL (4) PLACES
EDGE GUARD SUPPLIED WITH RACK**

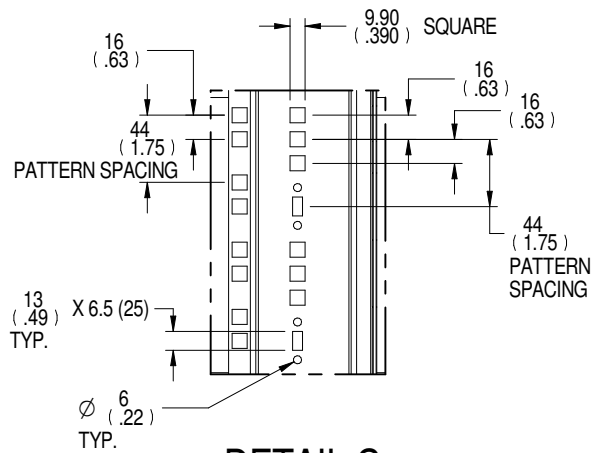


**BOTTOM VIEW
(TOP PANEL & DOORS HIDDEN)**

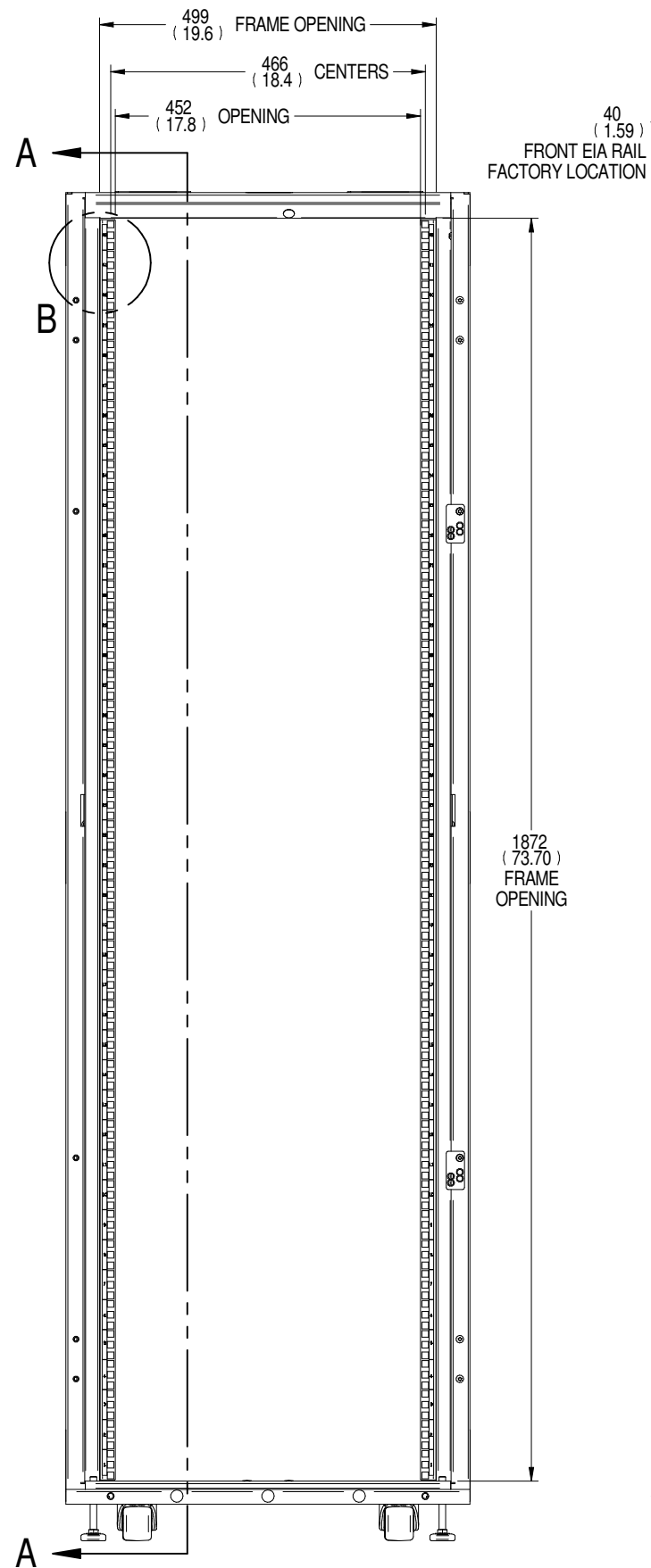
DRAWN BY: TED BEAVER	SHEET NUMBER: 2 OF 3	TITLE / DESCRIPTION VERTIV VR RACK 42U X 600mm W x 1200mm D	VR3300		
CHECKED BY: BRAD REINBOLT	ECN NUMBER: N/A				
REFERENCE DRAWING: N/A	QUOTE NUMBER: N/A		DRAWING NUMBER: VR3300-SUBTL	DATE: 03/12/18	



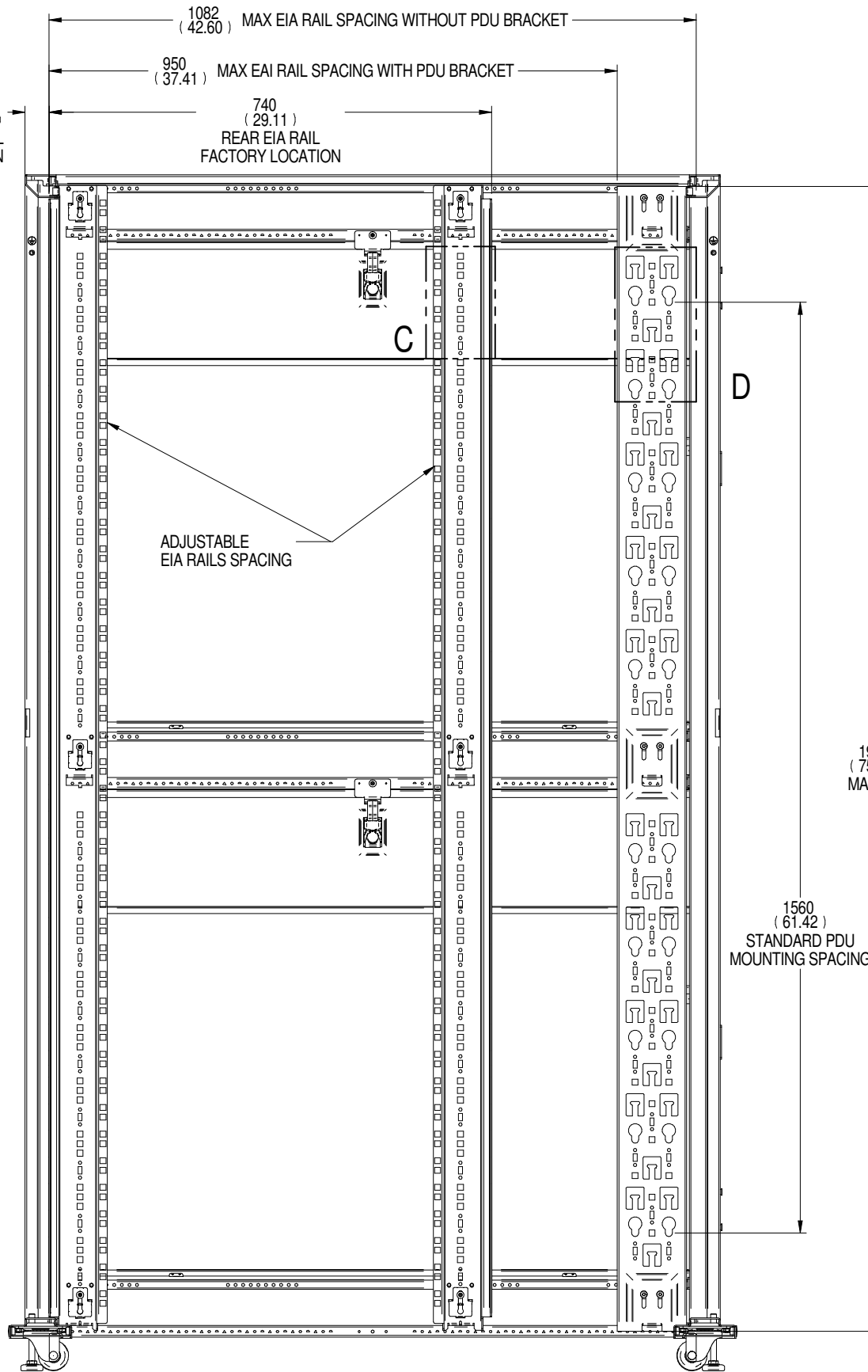
DETAIL B
RMU DETAIL



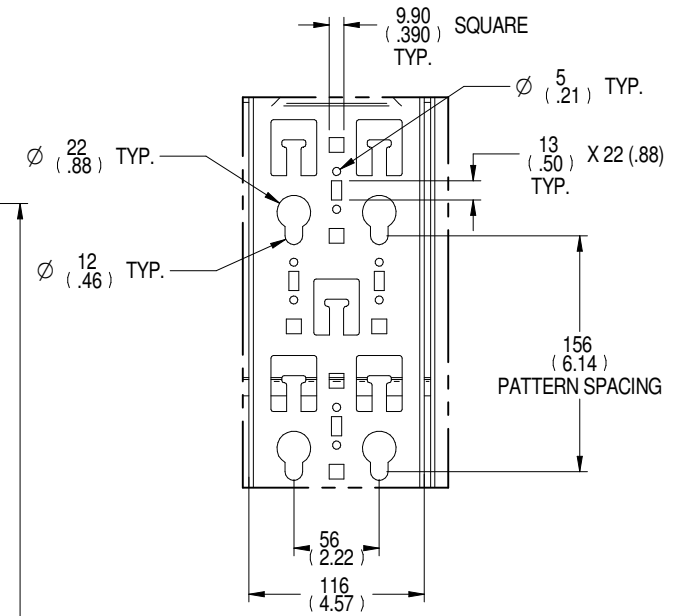
DETAIL C
OPTIONAL ACCESSORY
LOCATIONS



FRONT VIEW
(DOORS HIDDEN)



SECTION A-A



DETAIL D
PDU BRACKET
DETAIL

DRAWN BY: TED BEAVER	SHEET NUMBER: 3 OF 3	TITLE / DESCRIPTION VERTIV VR RACK 42U X 600mm W x 1200mm D	VR3300		
CHECKED BY: BRAD REINBOLT	ECN NUMBER: N/A				
REFERENCE DRAWING: N/A	QUOTE NUMBER: N/A		DRAWING NUMBER: VR3300-SUBTL	DATE: 03/12/18	