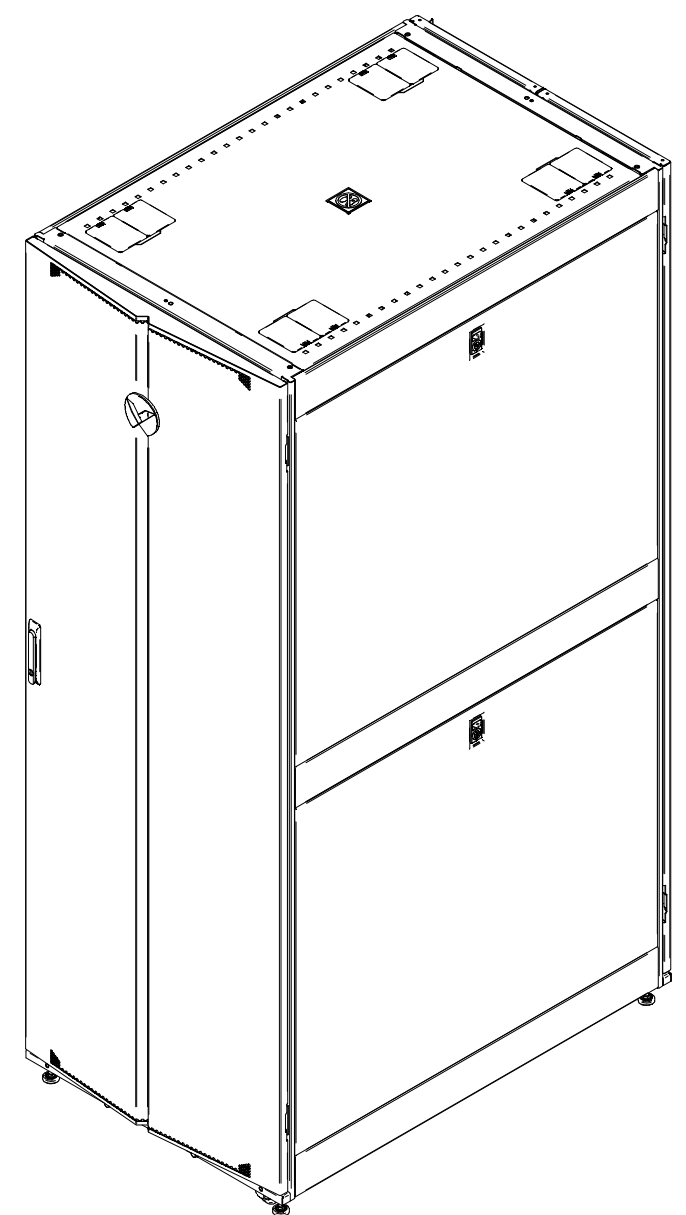
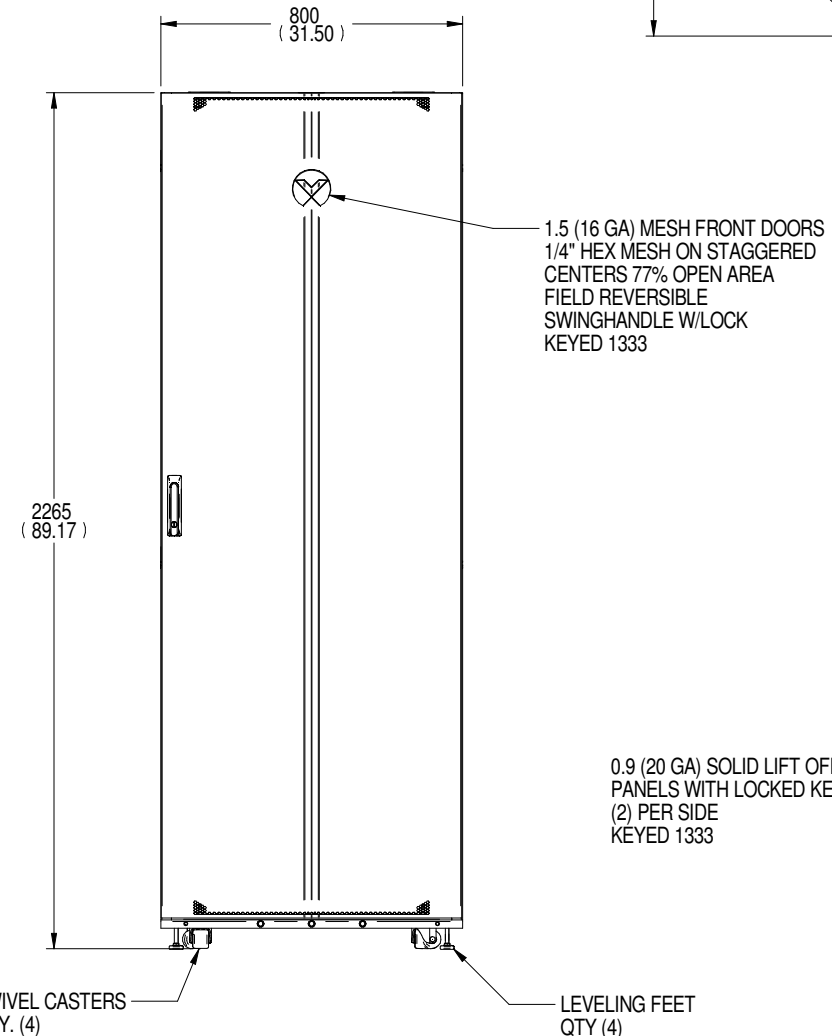


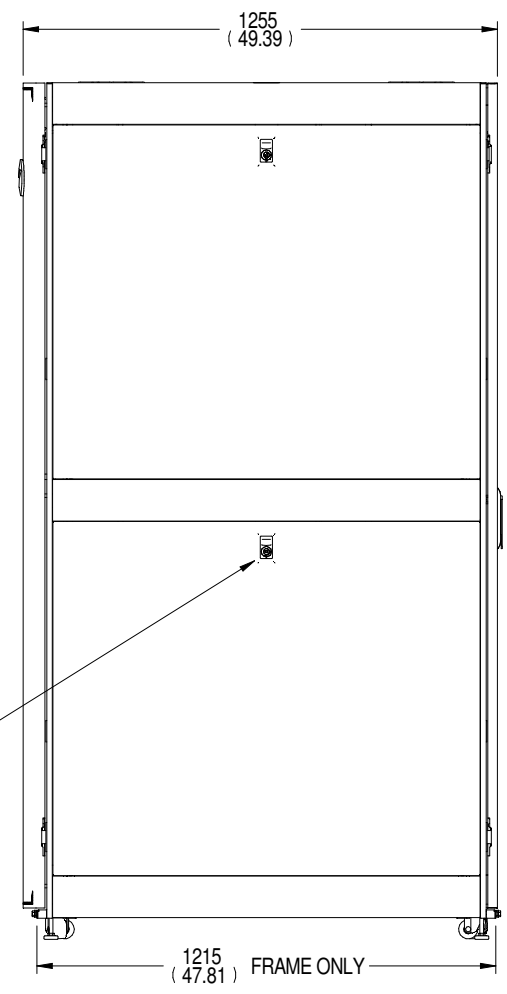
TOP VIEW



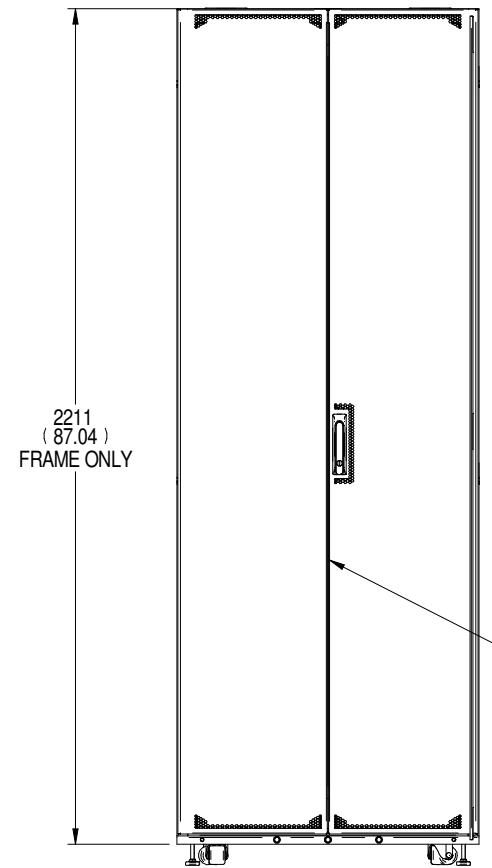
FRONT ISOMETRIC VIEW



FRONT VIEW



RIGHT SIDE VIEW



REAR VIEW

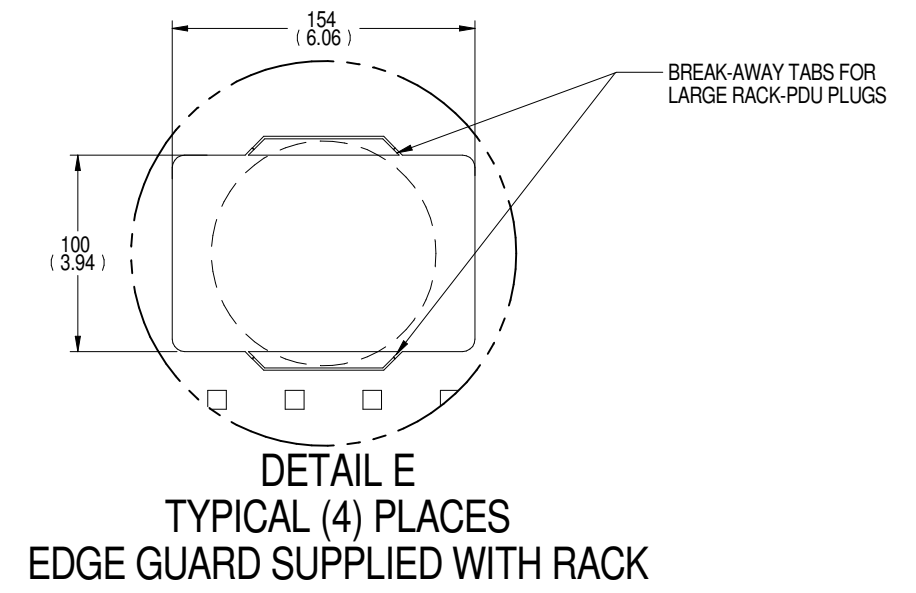
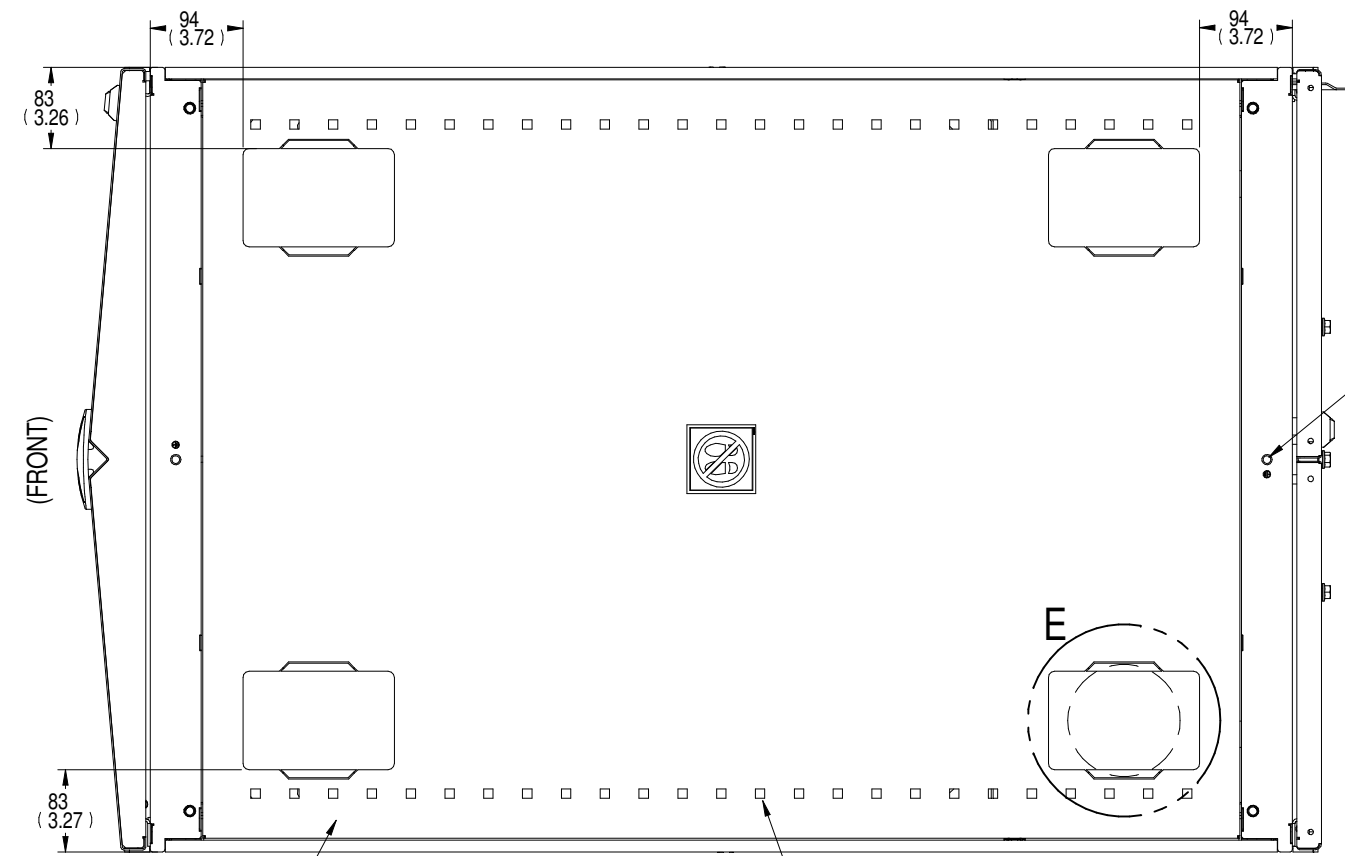
- NOTES:
1. ALL DIMENSIONS ARE MM (INCH), TOLERANCES ±2.5 (±0.1)
 2. UNIT WEIGHT: 179.6 KG (395.9 LBS)
 3. STATIC WEIGHT CAPACITY: 1361 KG (3000 LBS)
 4. DYNAMIC WEIGHT CAPACITY: 1021 KG (2250 LBS)
 5. PACKAGE OF M6 SCREWS, CAGE NUTS INCLUDED.

DRAWN BY: TED BEAVER	SHEET NUMBER: 1 OF 3
CHECKED BY: BRAD REINBOLT	ECN NUMBER: N/A
REFERENCE DRAWING: N/A	QUOTE NUMBER: N/A

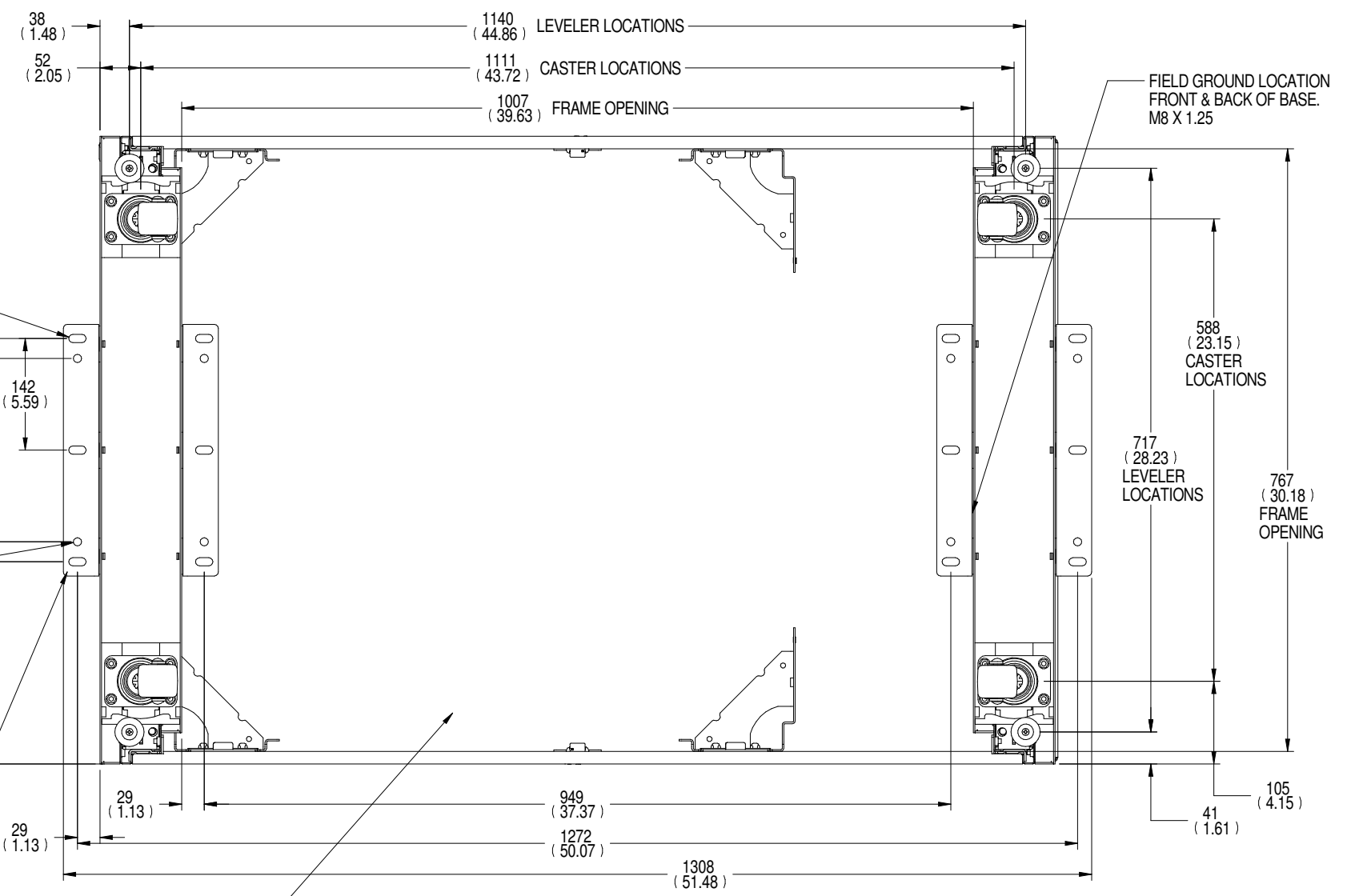
TITLE / DESCRIPTION VERTIV VR RACK 48U X 800mm W x 1200mm D

VR3357			
DRAWING NUMBER: VR3357-SUBTL	DATE: 04/23/18	REV#: 1	1050 DEARBORN DRIVE P.O. BOX 29186 COLUMBUS, OHIO 43229





**TOP VIEW
CABLE OPENINGS**



**BOTTOM VIEW
(TOP PANEL & DOORS HIDDEN)**

1.2 (18 GA) TOP PANEL

3/8" SQUARE INDEPENDENT MOUNTING LOCATIONS FOR ACCESSORIES

FIELD GROUND LOCATION FRONT & BACK OF TOP. M8 X 1.25

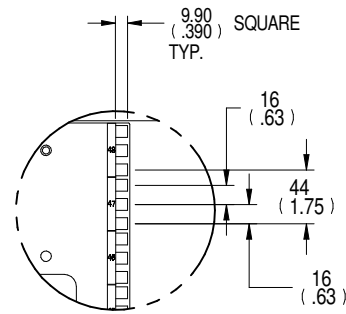
BREAK-AWAY TABS FOR LARGE RACK-PDU PLUGS

FIELD GROUND LOCATION FRONT & BACK OF BASE. M8 X 1.25

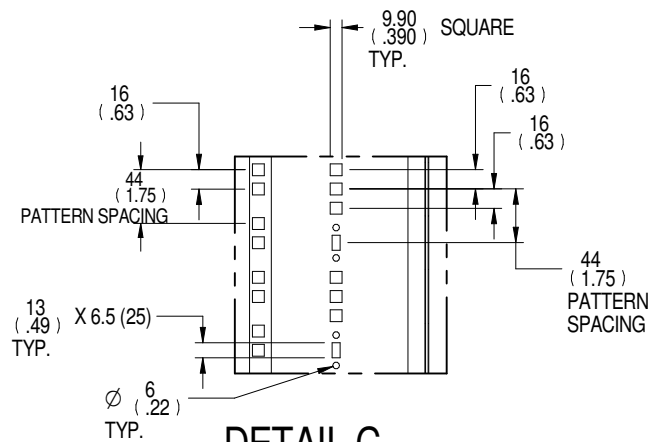
(2) SHIPPING BRACKETS CAN BE USED FOR FLOOR ANCHORING - (1) FRONT, (1) REAR BRACKETS CAN BE LOCATED INSIDE OR OUTSIDE OF THE FRAME.

OPEN BOTTOM

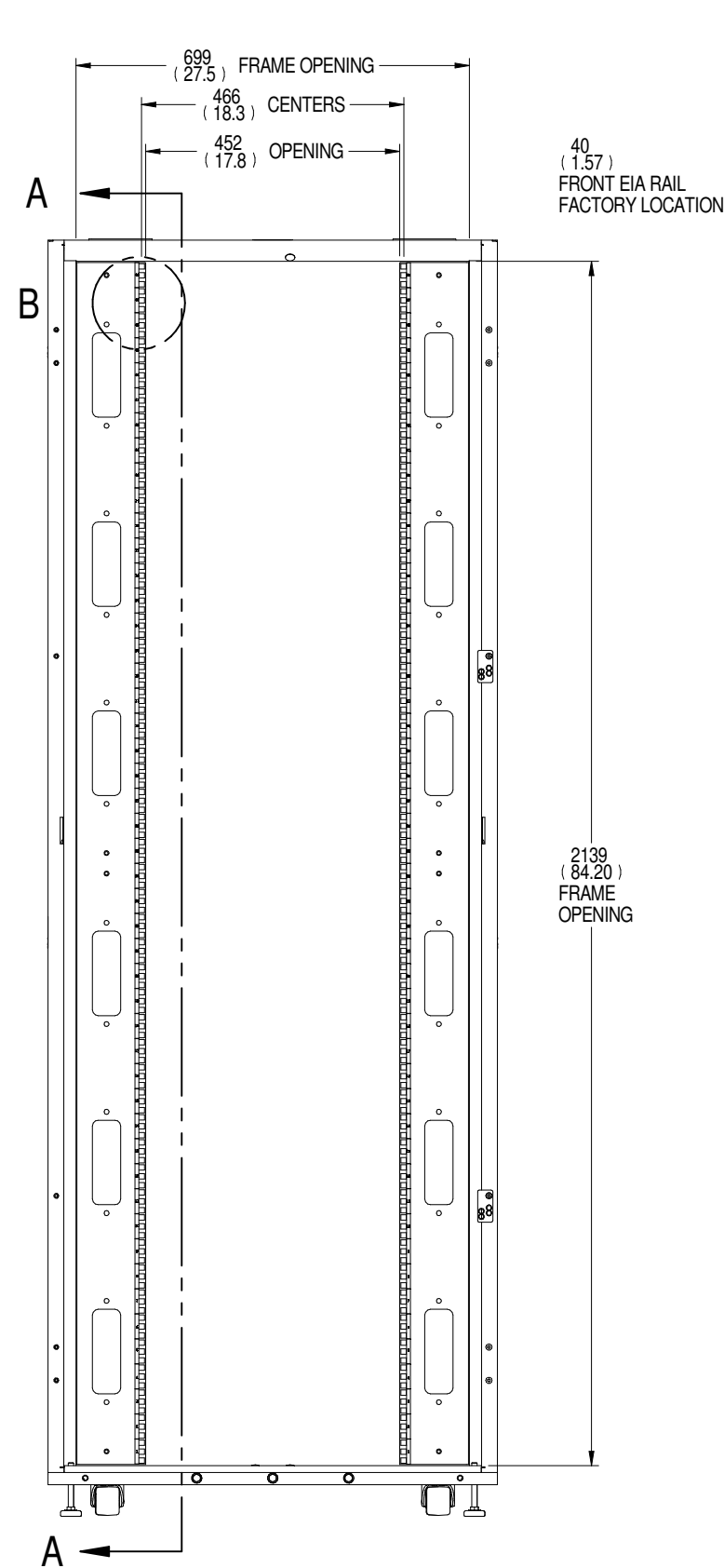
DRAWN BY: TED BEAVER	SHEET NUMBER: 2 OF 3	TITLE / DESCRIPTION VERTIV VR RACK 48U X 800mm W x 1200mm D	VR3357		
CHECKED BY: BRAD REINBOLT	ECN NUMBER: N/A				
REFERENCE DRAWING: N/A	QUOTE NUMBER: N/A		DRAWING NUMBER: VR3357-SUBTL	DATE: 04/23/18	



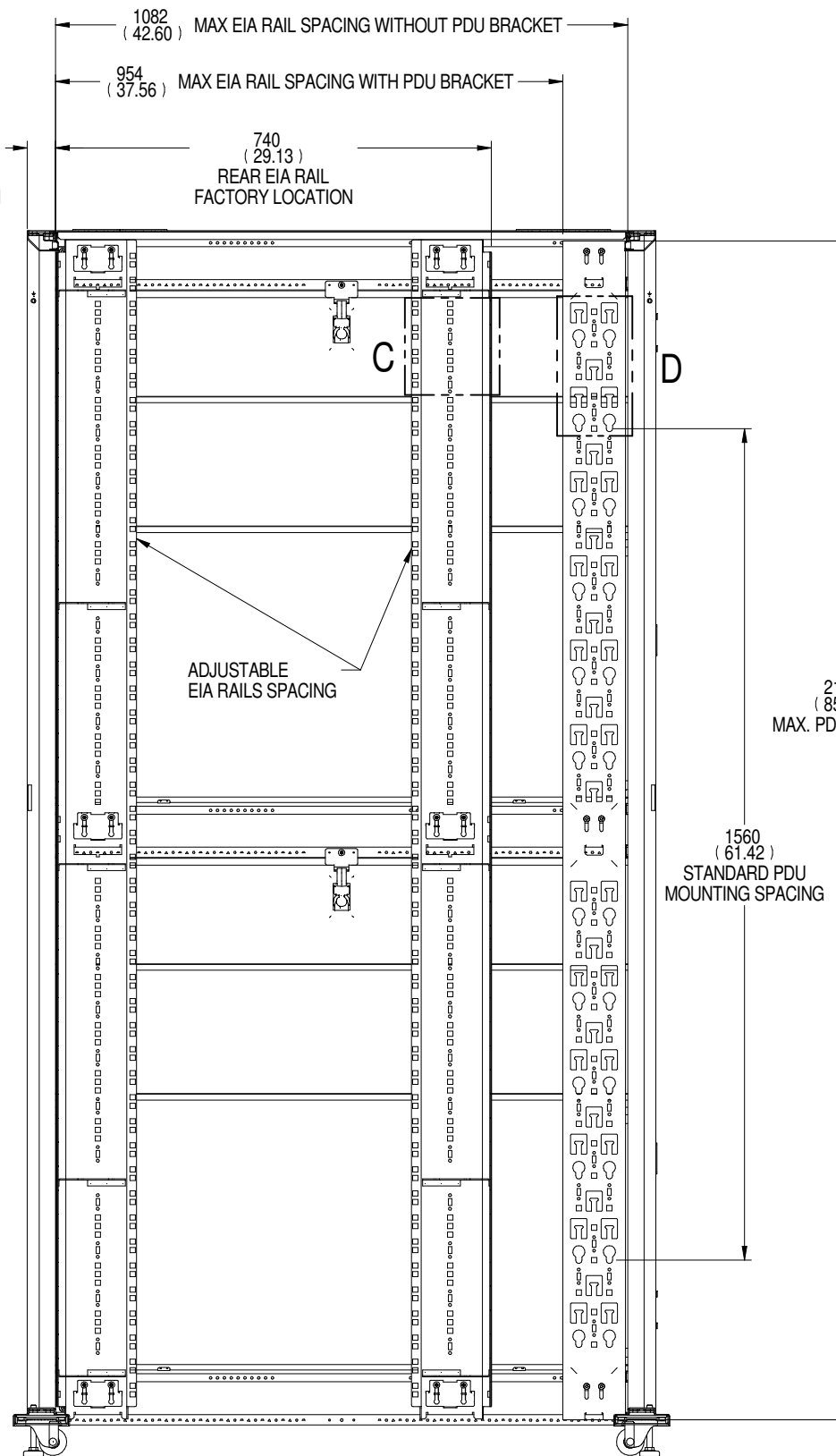
DETAIL B
RMU DETAIL



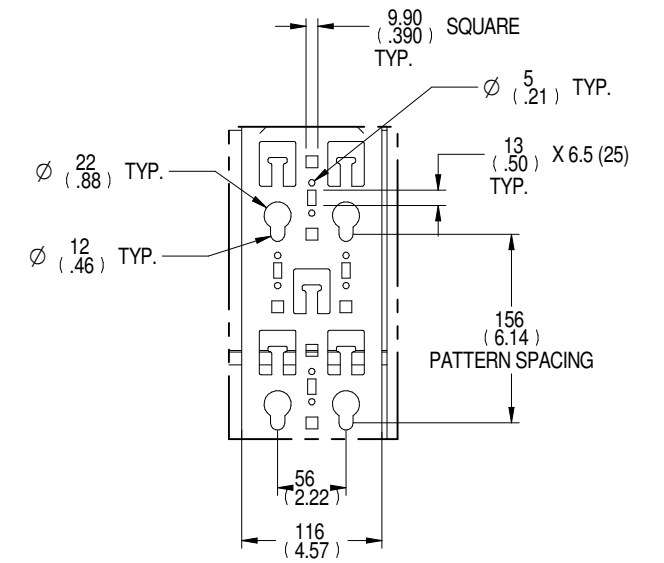
DETAIL C
OPTIONAL ACCESSORY
LOCATIONS



FRONT VIEW
(DOORS HIDDEN)



SECTION A-A



DETAIL D
PDU BRACKET
DETAIL

DRAWN BY: TED BEAVER	SHEET NUMBER: 3 OF 3
CHECKED BY: BRAD REINBOLT	ECON NUMBER: N/A
REFERENCE DRAWING: N/A	QUOTE NUMBER: N/A

TITLE / DESCRIPTION
VERTIV VR RACK
48U X 800mm W x 1200mm D

VR3357

DRAWING NUMBER: VR3357-SUBTL	DATE: 04/23/18	REV#: 1	1050 DEARBORN DRIVE P.O. BOX 29186 COLUMBUS, OHIO 43229
---------------------------------	-------------------	------------	---

