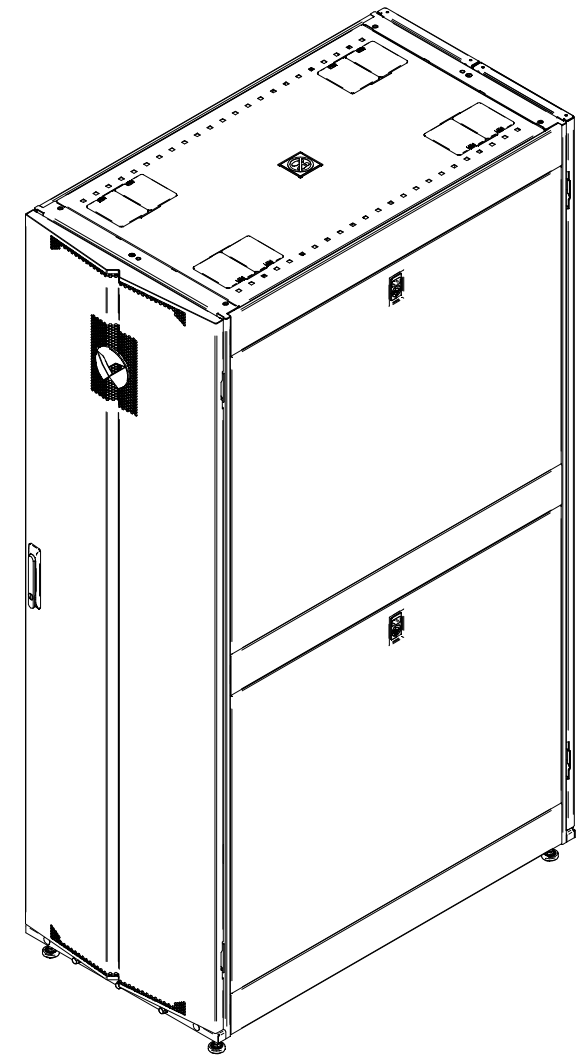
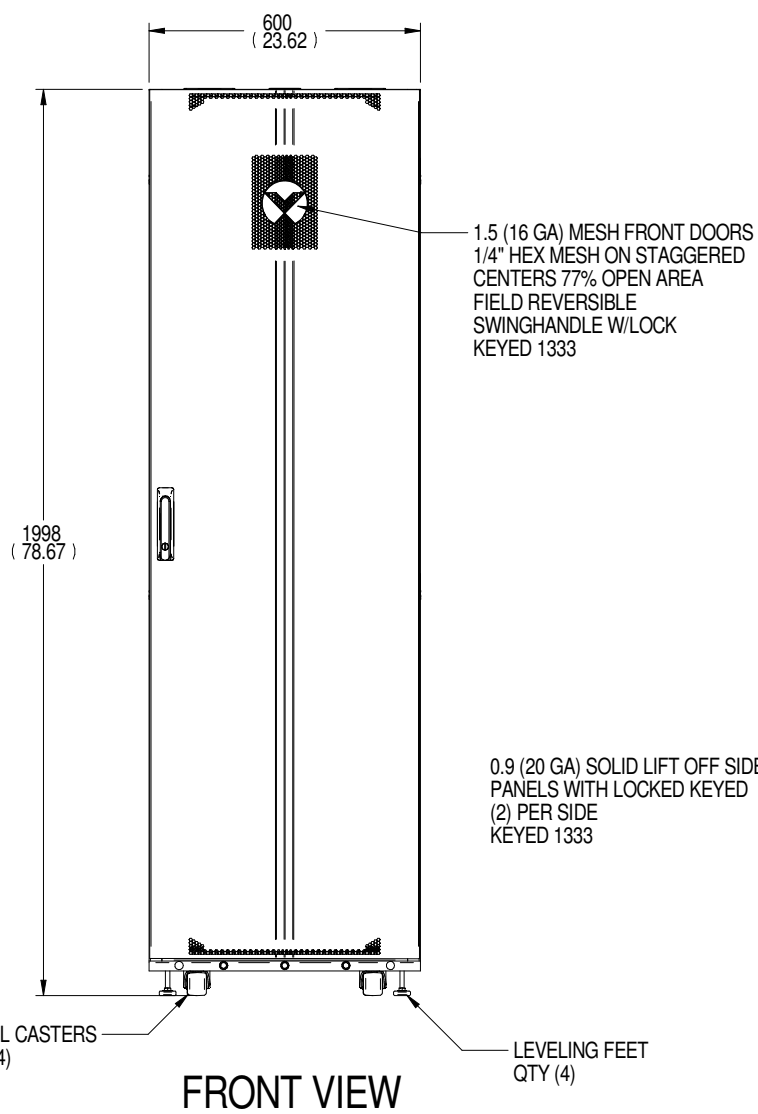


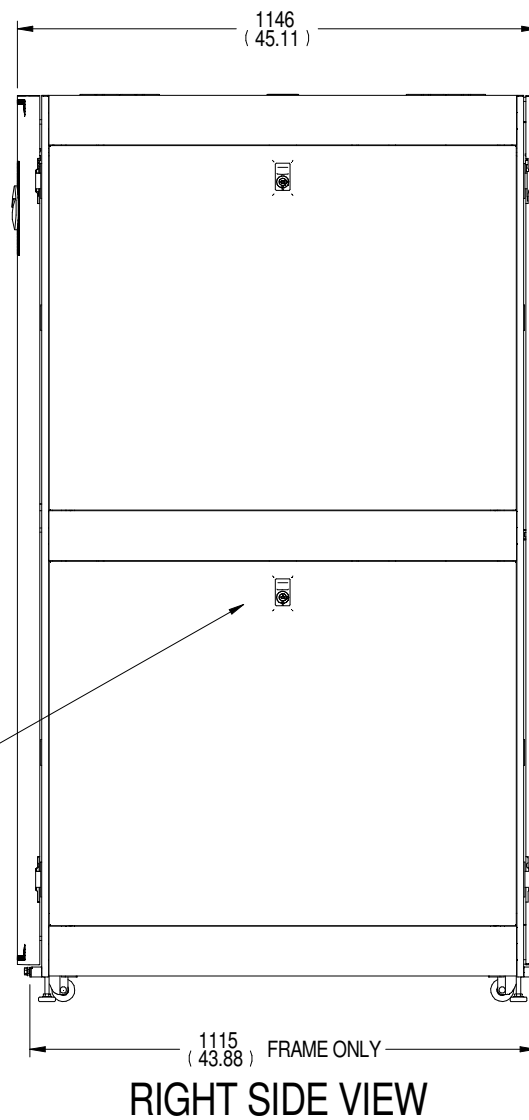
TOP VIEW



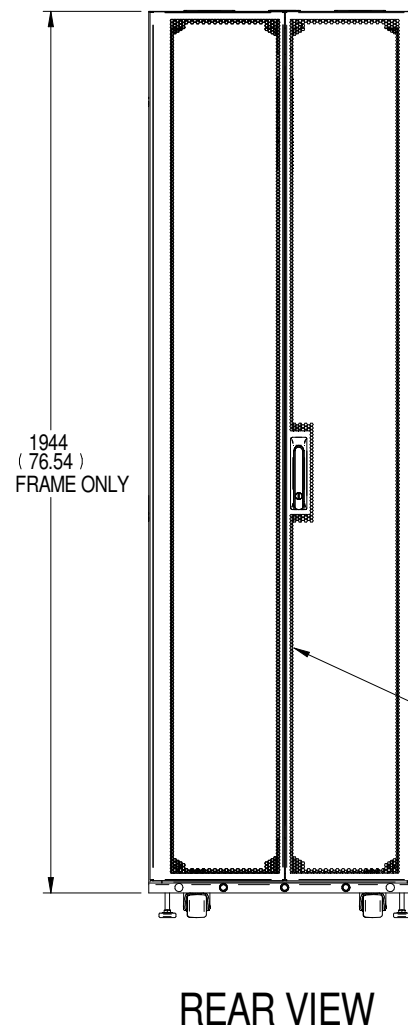
FRONT ISOMETRIC VIEW



FRONT VIEW



RIGHT SIDE VIEW



REAR VIEW

1.2 (18 GA) SPLIT MESH REAR DOORS
1/4\"/>

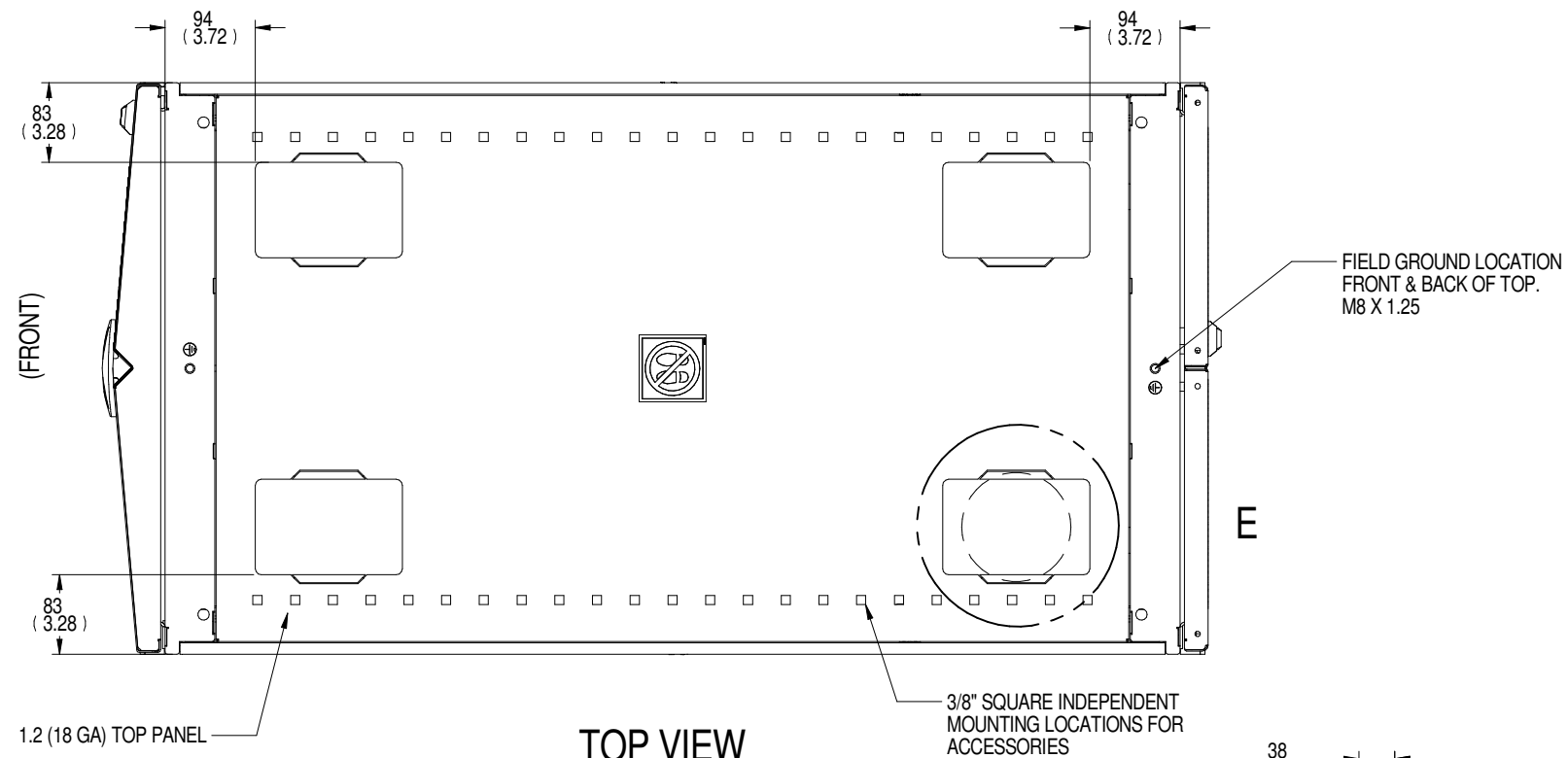
- NOTES:
1. ALL DIMENSIONS ARE MM (INCH), TOLERANCES ± 2.5 (± 0.1)
 2. UNIT WEIGHT: 126.7 KG (279.5 LBS)
 3. STATIC WEIGHT CAPACITY: 1361 KG (3000 LBS)
 4. DYNAMIC WEIGHT CAPACITY: 1021 KG (2250 LBS.)
 5. PACKAGE OF M6 SCREWS, CAGE NUTS INCLUDED.

DRAWN BY: TED BEAVER	SHEET NUMBER: 1 OF 3
CHECKED BY: BRAD REINBOLT	EON NUMBER: N/A
REFERENCE DRAWING: N/A	QUOTE NUMBER: N/A

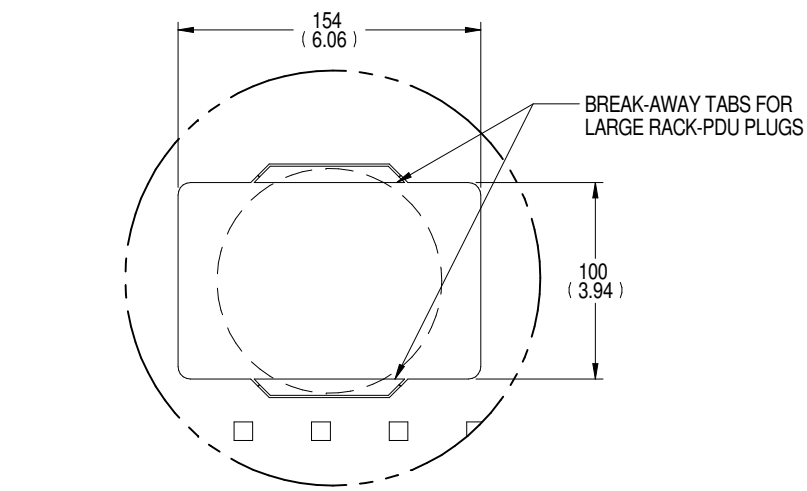
TITLE / DESCRIPTION
VERTIV VR RACK
42U X 600mm W x 1100mm D

VR3100			
DRAWING NUMBER: VR3100-SUBTL	DATE: 04/19/18	REV#: 1	1050 DEARBORN DRIVE P.O. BOX 29186 COLUMBUS, OHIO 43229

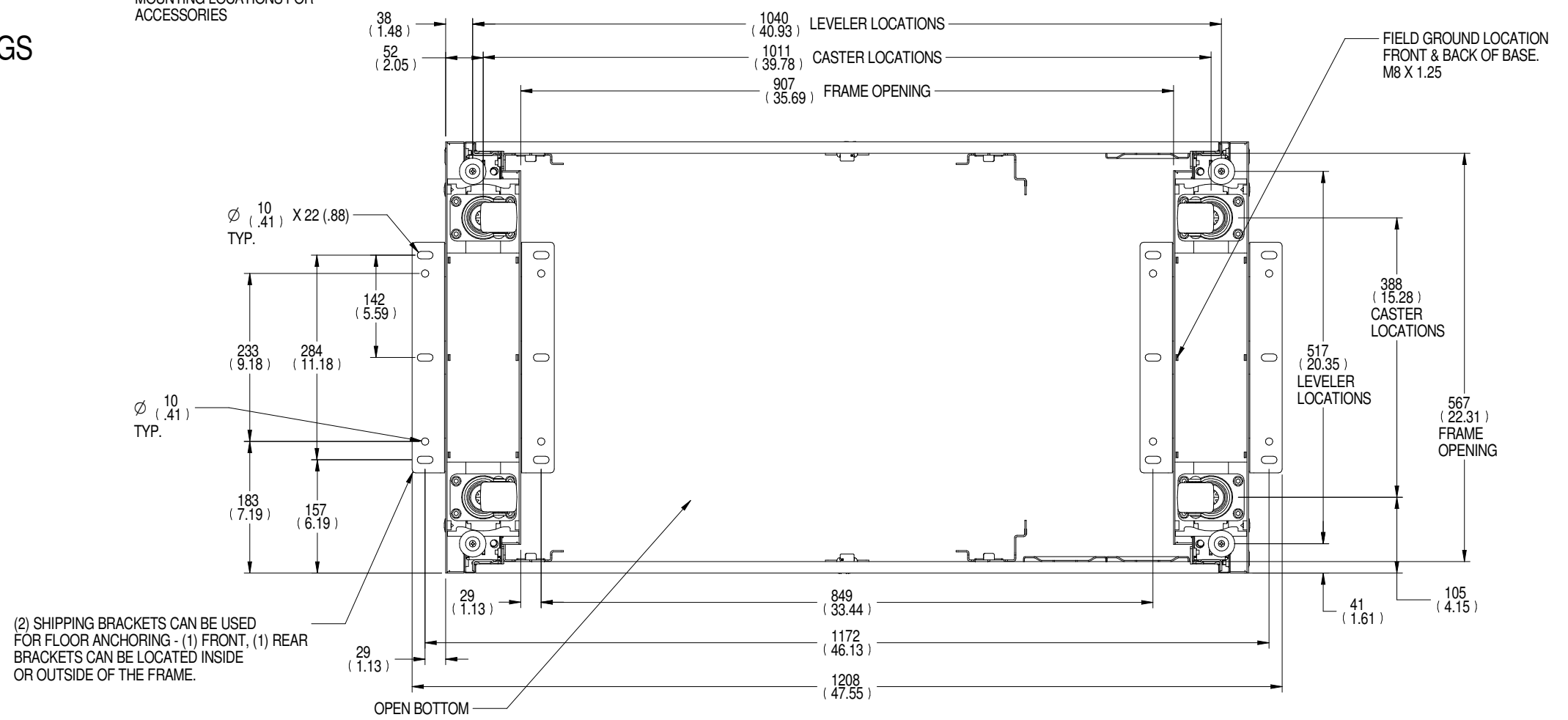




TOP VIEW
CABLE OPENINGS

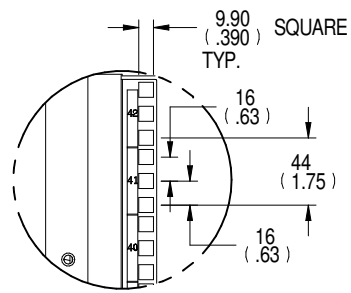


DETAIL E
TYPICAL (4) PLACES
EDGE GUARD SUPPLIED WITH RACK.

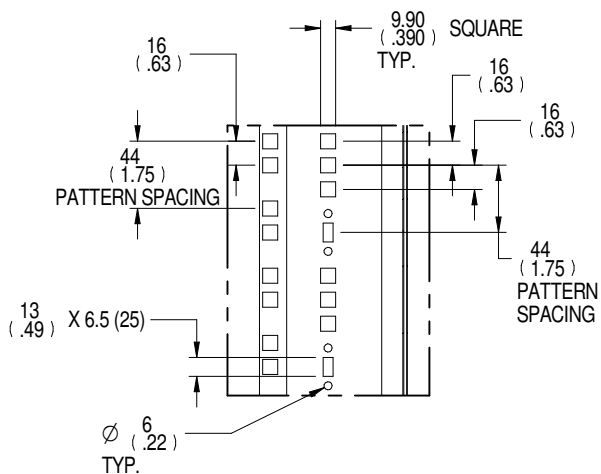


BOTTOM VIEW
(TOP PANEL & DOORS HIDDEN)

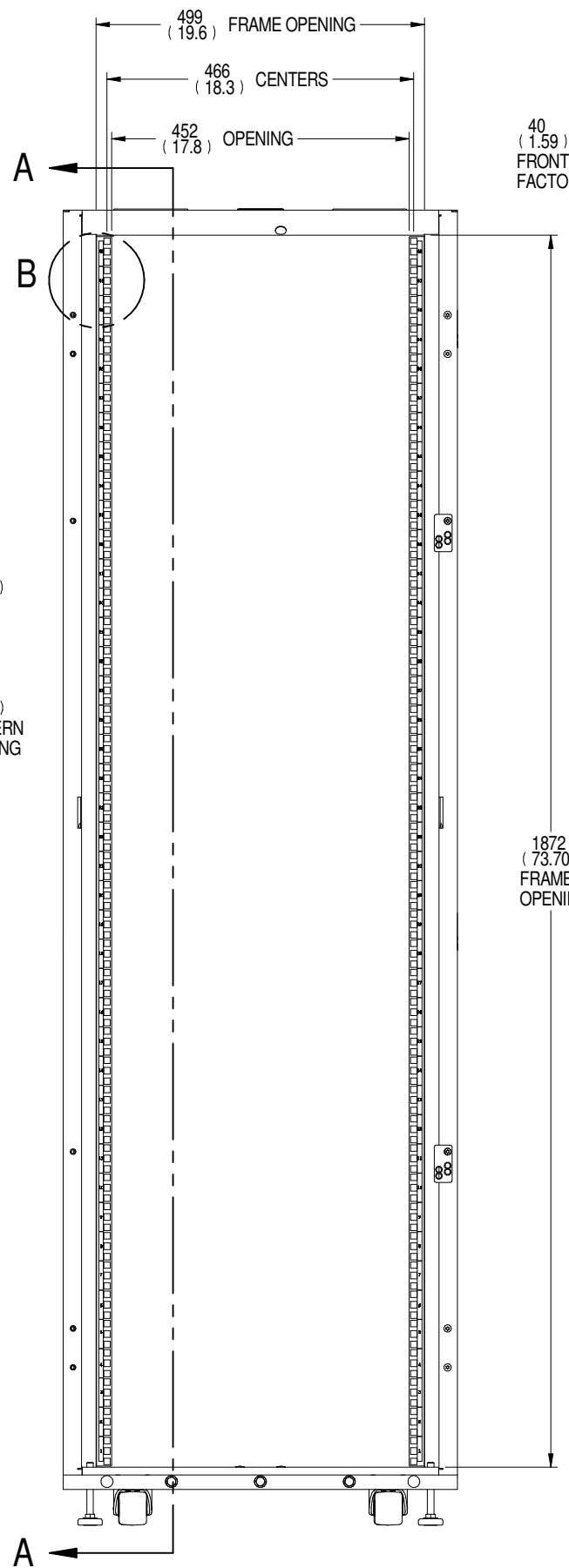
DRAWN BY: TED BEAVER	SHEET NUMBER: 2 OF 3	TITLE / DESCRIPTION VERTIV VR RACK 42U X 600mm W x 1100mm D	VR3100		
CHECKED BY: BRAD REINBOLT	ECN NUMBER: N/A		DRAWING NUMBER: VR3100-SUBTL	DATE: 04/19/18	
REFERENCE DRAWING: N/A	QUOTE NUMBER: N/A		REV#: 1	1050 DEARBORN DRIVE P.O. BOX 29186 COLUMBUS, OHIO 43229	



DETAIL B
RMU DETAIL

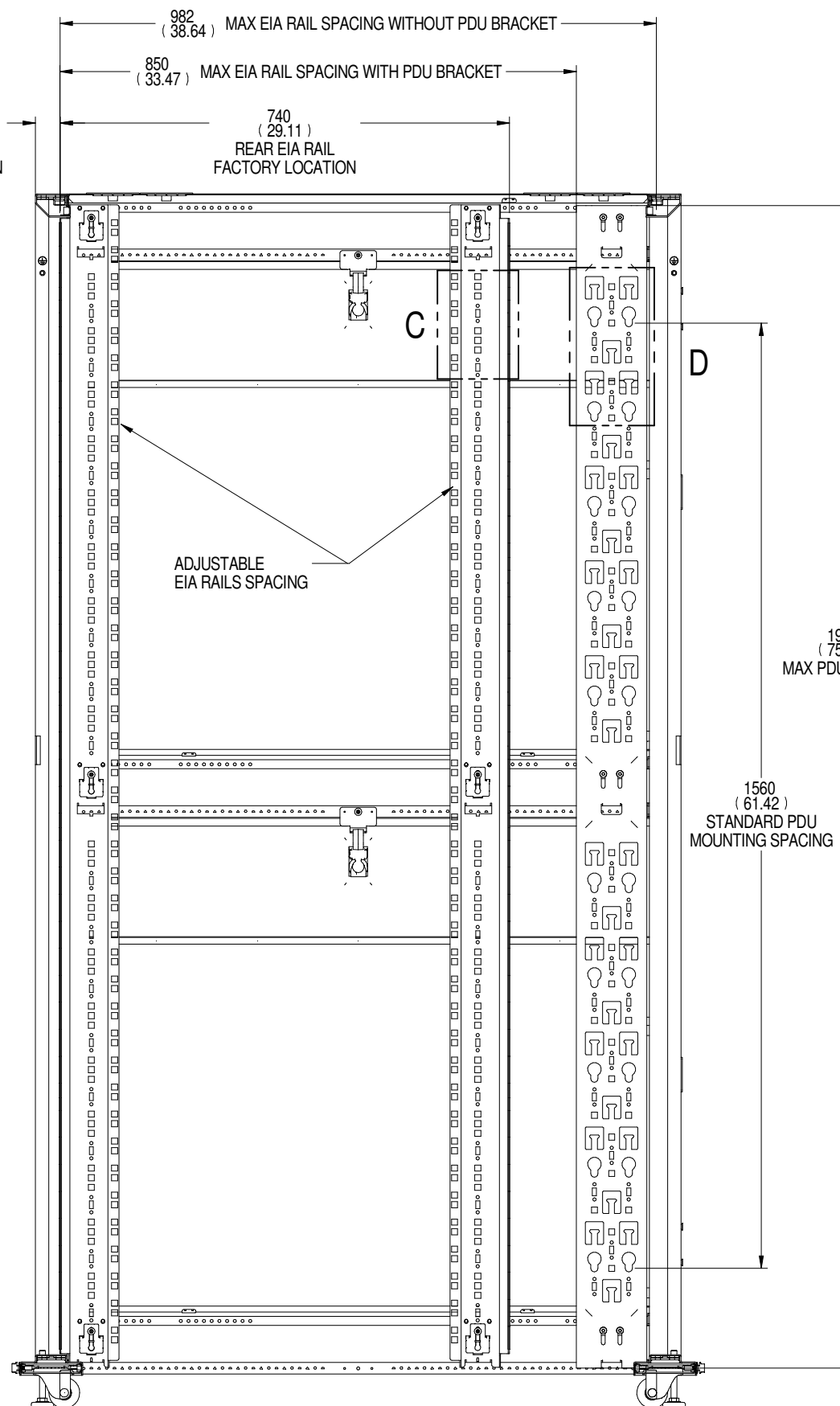


DETAIL C
OPTIONAL ACCESSORY
LOCATIONS

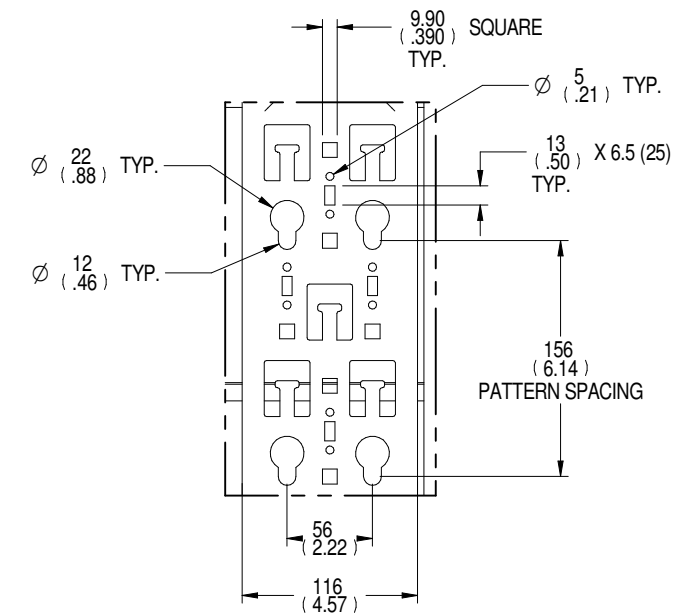


FRONT VIEW
(DOORS HIDDEN)

40
(1.59)
FRONT EIA RAIL
FACTORY LOCATION



SECTION A-A



DETAIL D
PDU BRACKET
DETAIL

DRAWN BY: TED BEAVER	SHEET NUMBER: 3 OF 3
CHECKED BY: BRAD REINBOLT	ECN NUMBER: N/A
REFERENCE DRAWING: N/A	QUOTE NUMBER: N/A

TITLE / DESCRIPTION
VERTIV VR RACK
42U X 600mm W x 1100mm D

VR3100			
DRAWING NUMBER: VR3100-SUBTL	DATE: 04/19/18	REV#: 1	1050 DEARBORN DRIVE P.O. BOX 29186 COLUMBUS, OHIO 43229

