

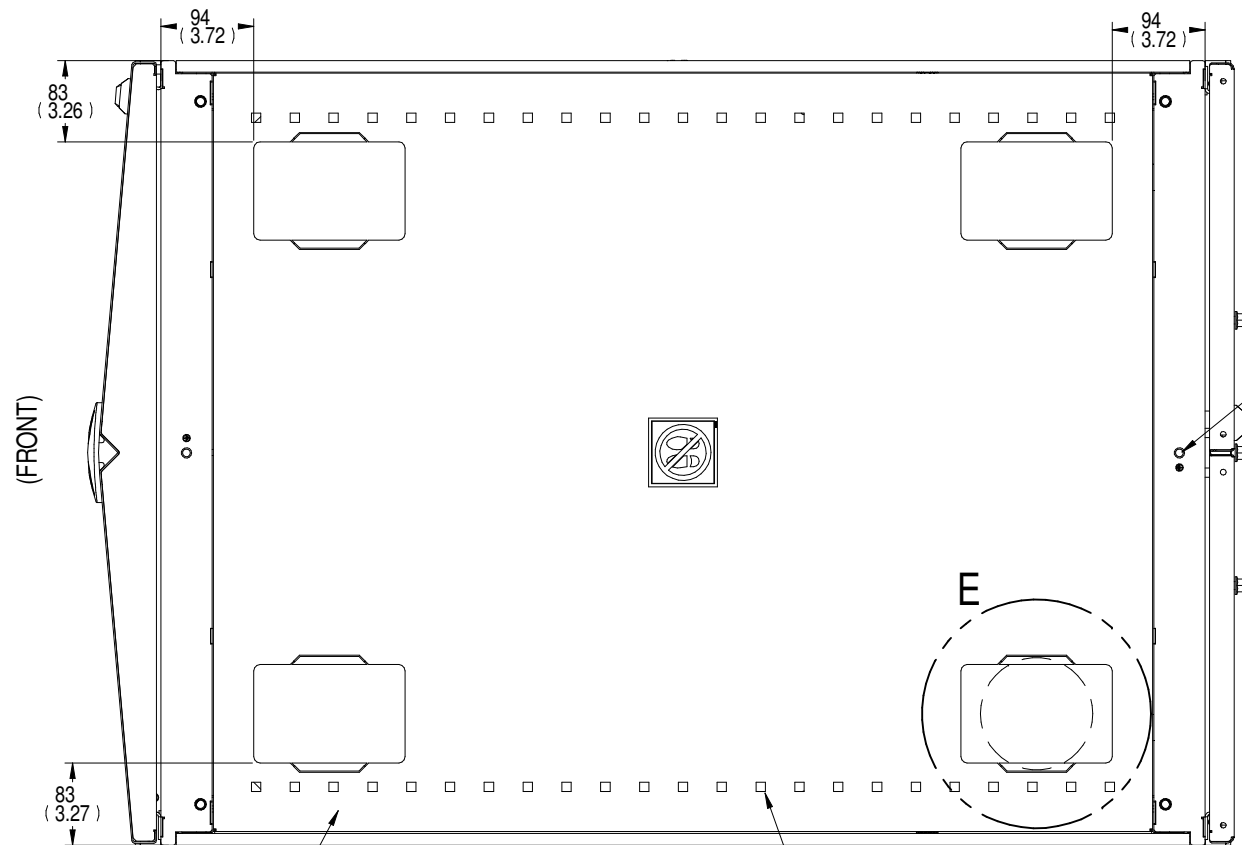
- NOTES:
1. ALL DIMENSIONS ARE MM (INCH), TOLERANCES ±2.5 (±0.1)
 2. UNIT WEIGHT: 175.7 KG (387.4 LBS)
 3. STATIC WEIGHT CAPACITY: 1361 KG (3000 LBS)
 4. DYNAMIC WEIGHT CAPACITY: 1021 KG (2250 LBS)
 5. PACKAGE OF M6 SCREWS, CAGE NUTS INCLUDED.

DRAWN BY: TED BEAVER	SHEET NUMBER: 1 OF 3
CHECKED BY: BRAD REINBOLT	ECN NUMBER: N/A
REFERENCE DRAWING: N/A	QUOTE NUMBER: N/A

TITLE / DESCRIPTION
VERTIV VR RACK
48U x 800mm W x 1100mm D

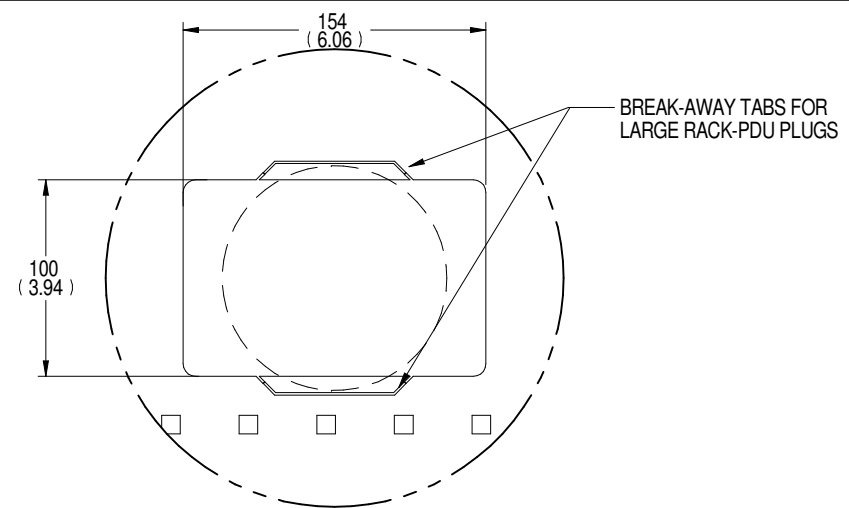
VR3157	
DRAWING NUMBER: VR3157-SUBTL	DATE: 04/23/18
REV#: 1	1050 DEARBORN DRIVE P.O. BOX 29186 COLUMBUS, OHIO 43229



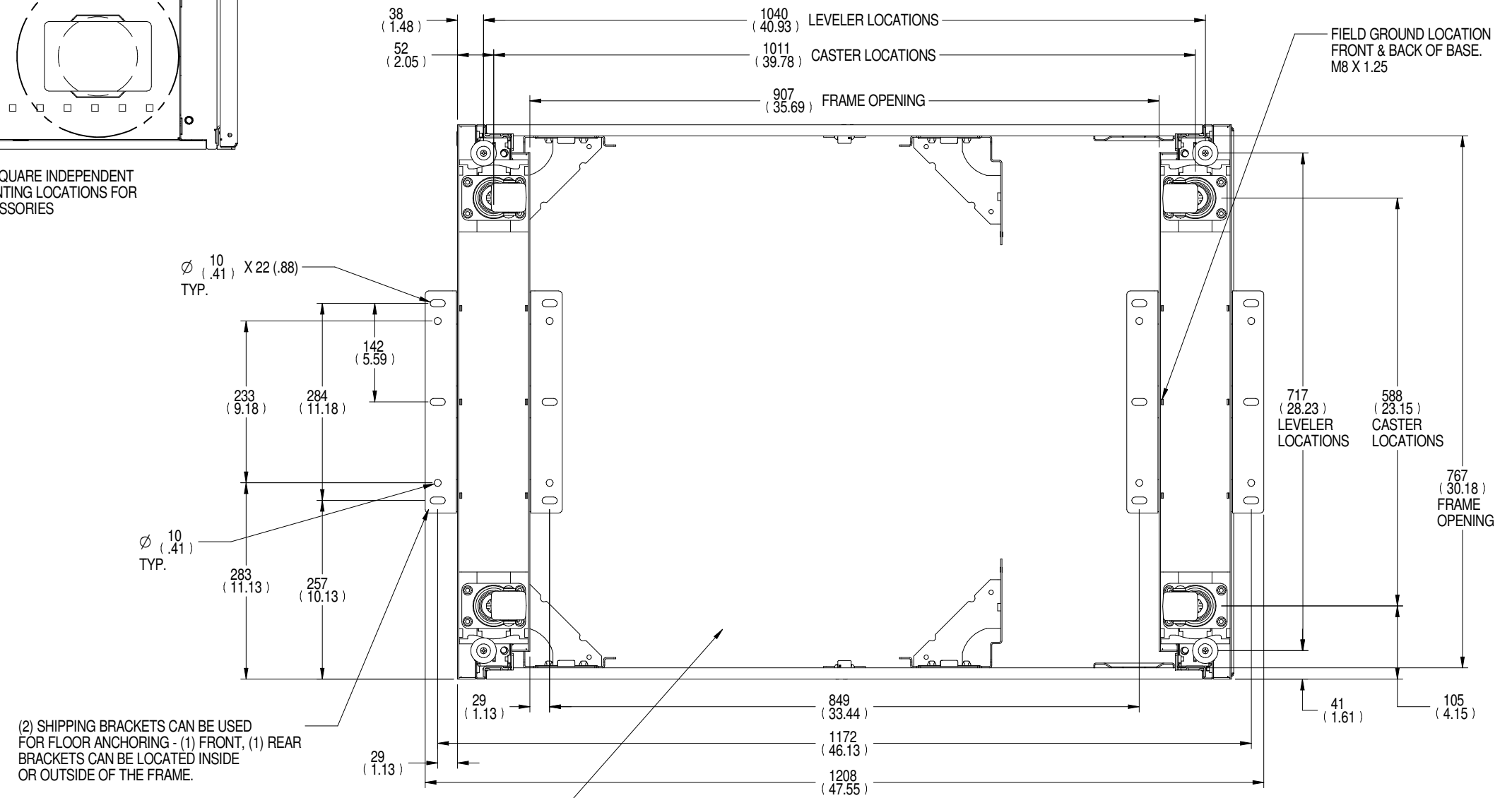


TOP VIEW
CABLE OPENING

1.2 (18 GA) TOP PANEL



DETAIL E
TYPICAL (4) PLACES
EDGE GUARD SUPPLIED WITH RACK

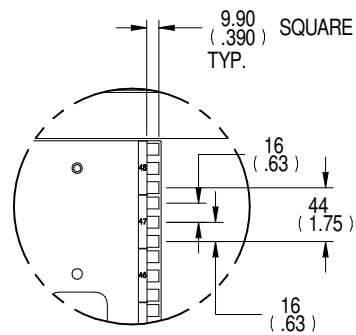


BOTTOM VIEW
(TOP PANEL & DOORS HIDDEN)

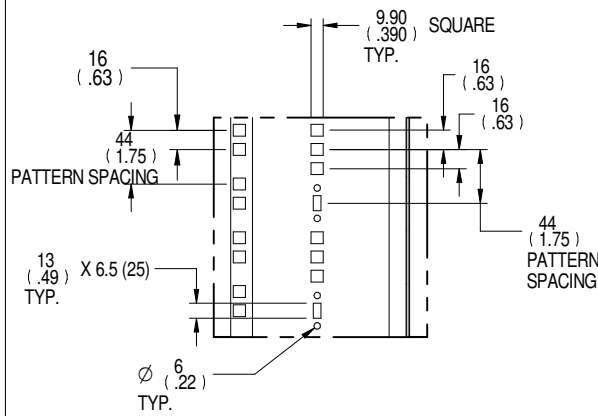
(2) SHIPPING BRACKETS CAN BE USED FOR FLOOR ANCHORING - (1) FRONT, (1) REAR BRACKETS CAN BE LOCATED INSIDE OR OUTSIDE OF THE FRAME.

OPEN BOTTOM

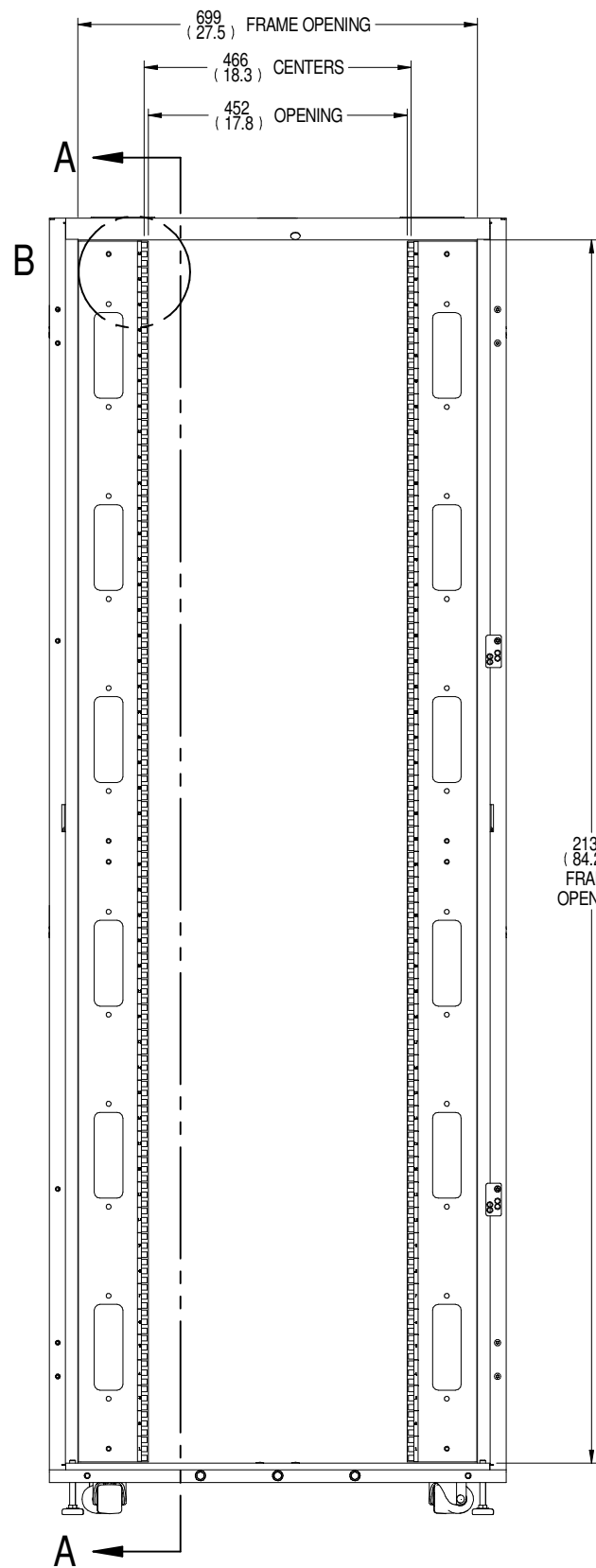
DRAWN BY: TED BEAVER	SHEET NUMBER: 2 OF 3	TITLE / DESCRIPTION VERTIV VR RACK 48U x 800mm W x 1100mm D	VR3157		
CHECKED BY: BRAD REINBOLT	ECN NUMBER: N/A				
REFERENCE DRAWING: N/A	QUOTE NUMBER: N/A		DRAWING NUMBER: VR3157-SUBTL	DATE: 04/23/18	



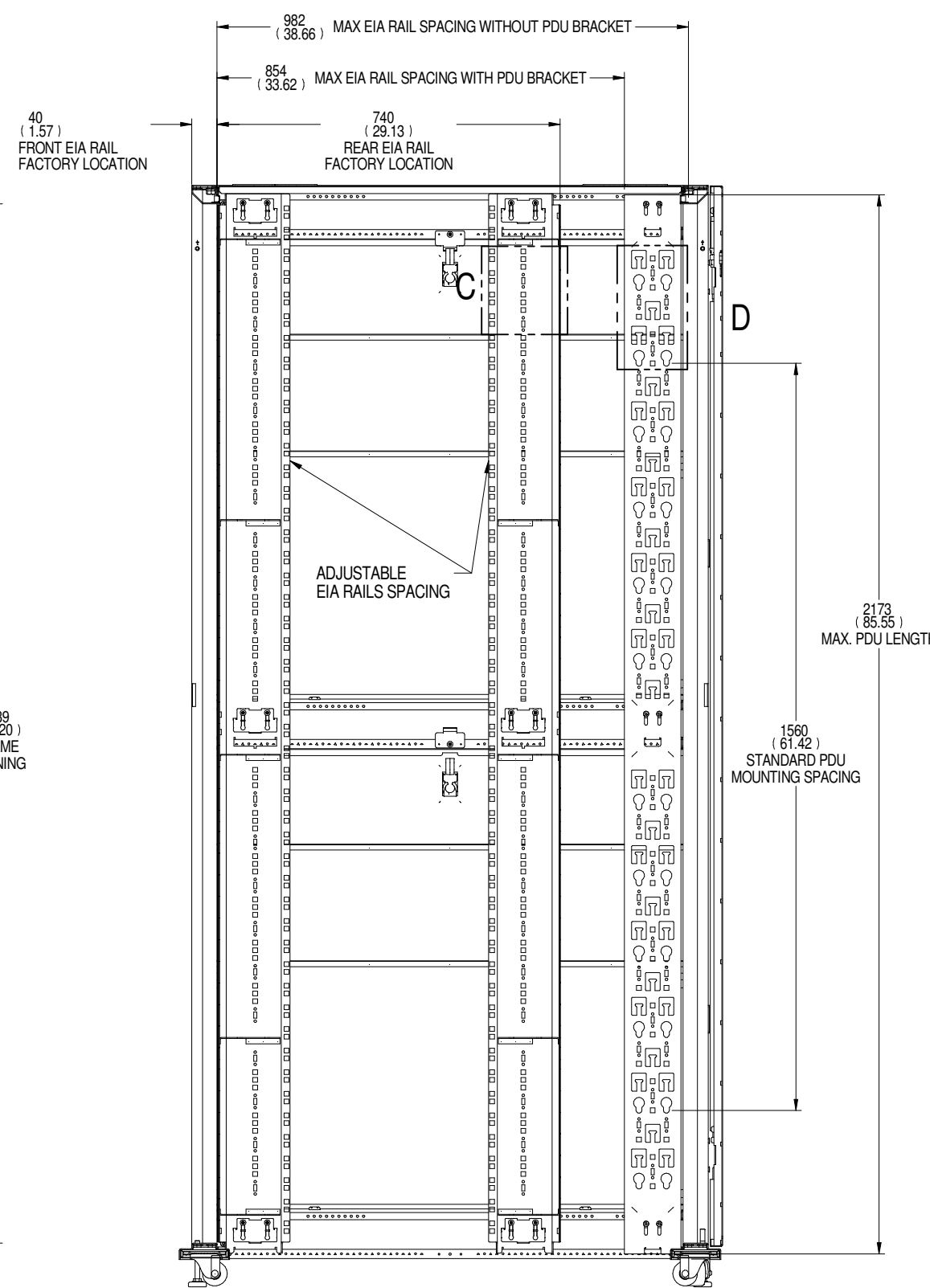
DETAIL B
RMU DETAIL



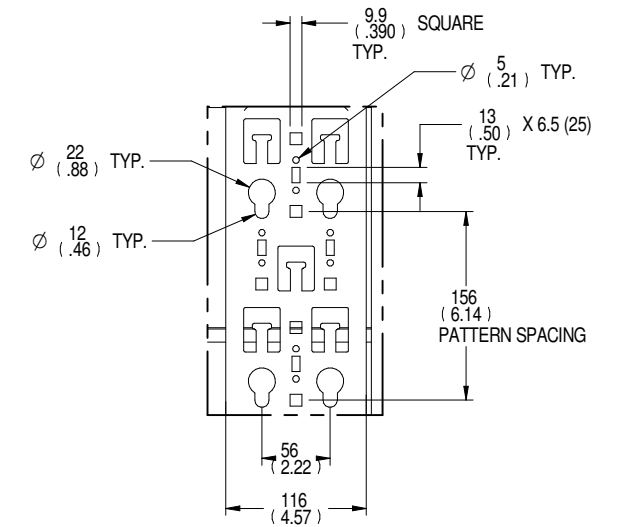
DETAIL C
OPTIONAL ACCESSORY
LOCATIONS



FRONT VIEW
(DOORS HIDDEN)



SECTION A-A



DETAIL D
PDU BRACKET
DETAIL

DRAWN BY: TED BEAVER	SHEET NUMBER: 3 OF 3
CHECKED BY: BRAD REINBOLT	ECN NUMBER: N/A
REFERENCE DRAWING: N/A	QUOTE NUMBER: N/A

TITLE / DESCRIPTION
VERTIV VR RACK
48U x 800mm W x 1100mm D

VR3157

DRAWING NUMBER: VR3157-SUBTL	DATE: 04/23/18	REV#: 1	1050 DEARBORN DRIVE P.O. BOX 29186 COLUMBUS, OHIO 43229
---------------------------------	-------------------	------------	---

