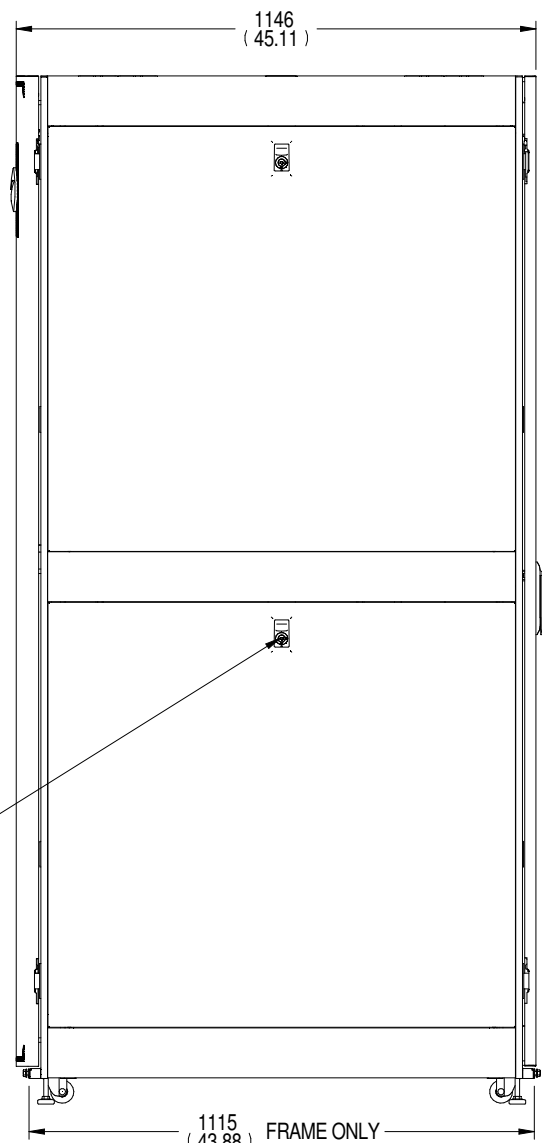


SWIVEL CASTERS  
QTY. (4)

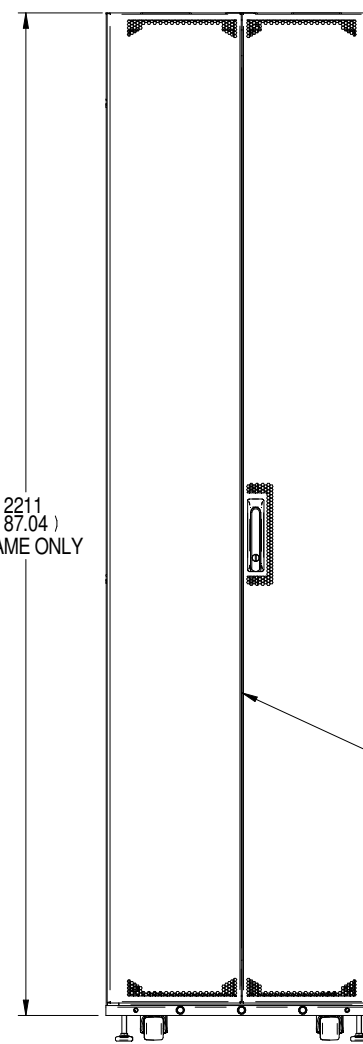
LEVELING FEET  
QTY. (4)

**FRONT VIEW**

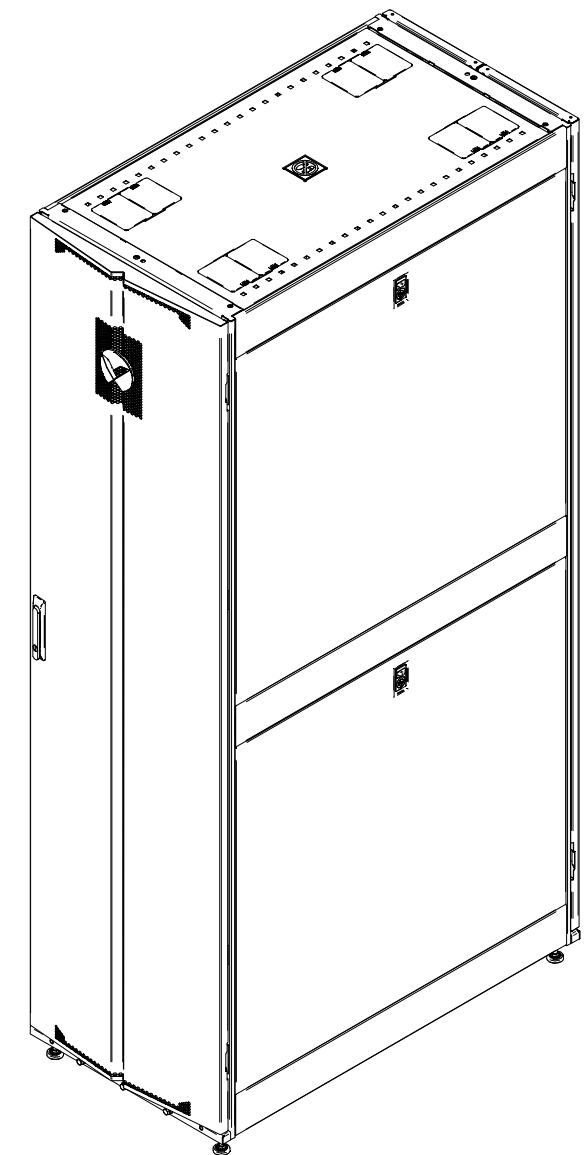
0.9 (20 GA) SOLID LIFT OFF SIDE  
PANELS WITH LOCKED KEYED  
(2) PER SIDE  
KEYED 1333



**RIGHT SIDE VIEW**



**REAR VIEW**



**FRONT ISOMETRIC VIEW**

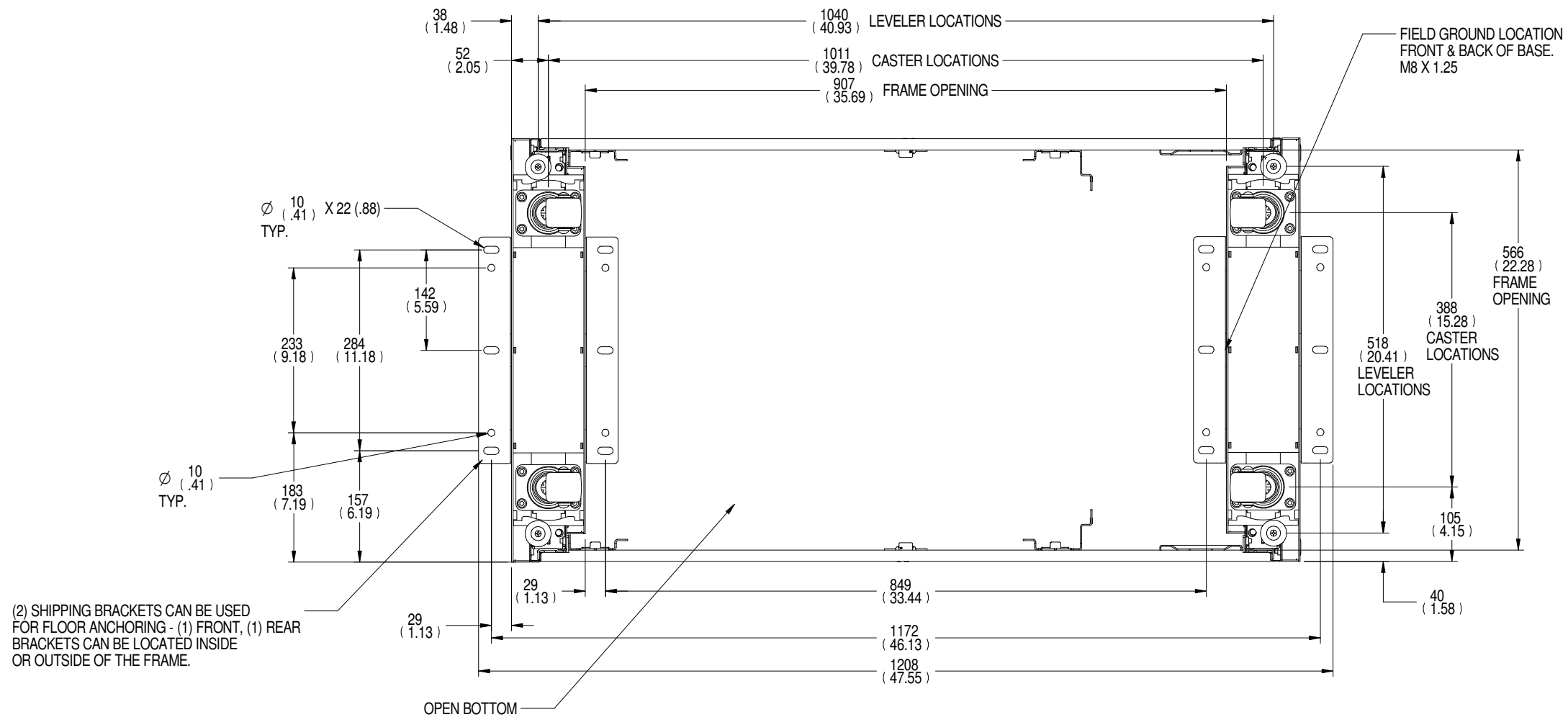
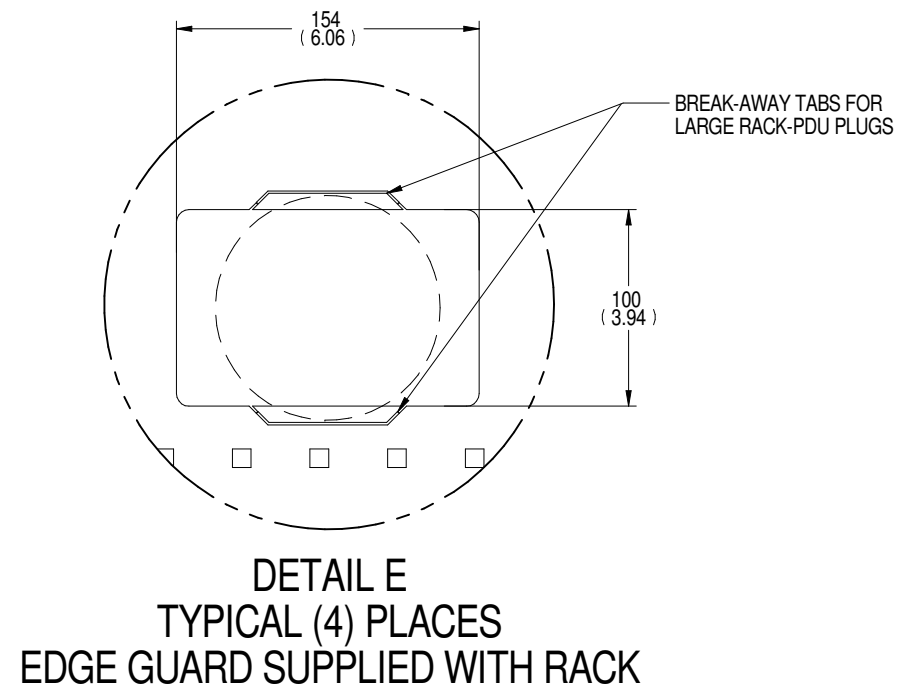
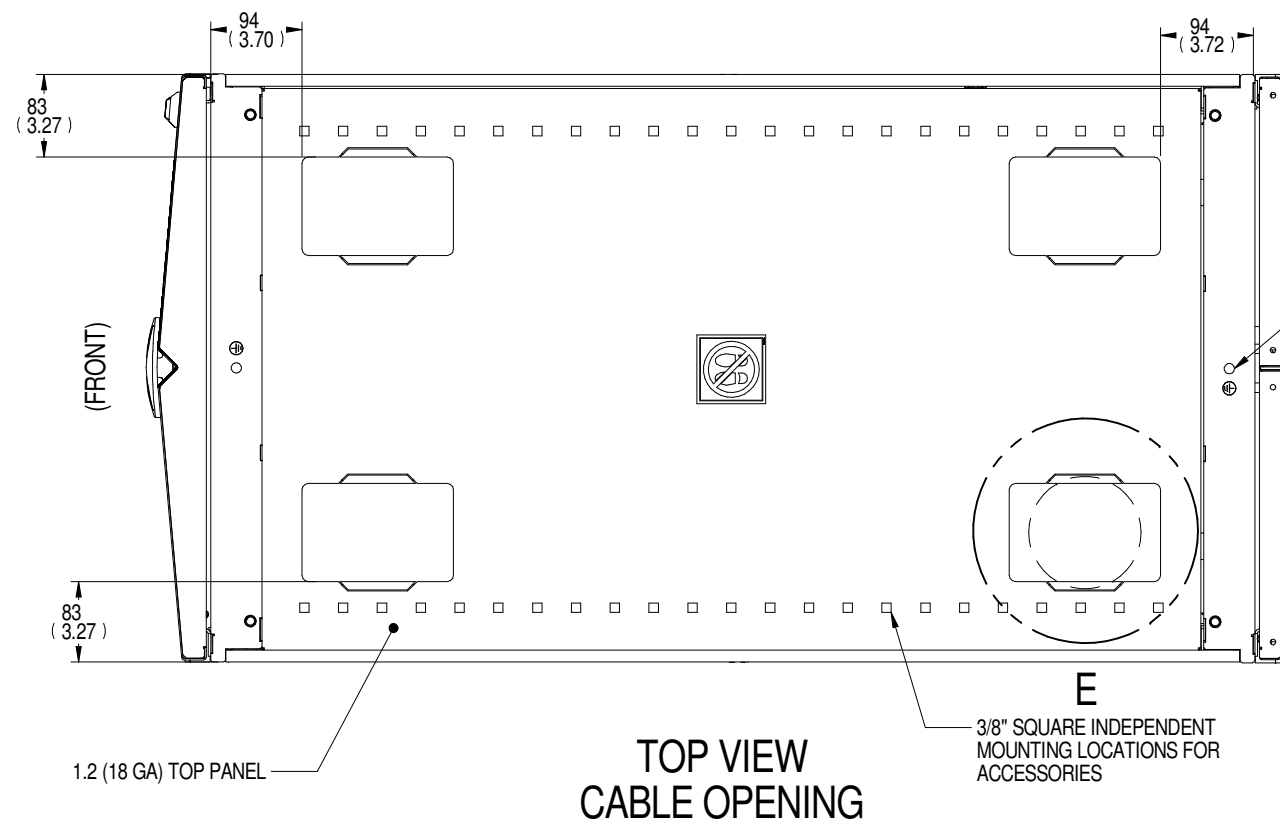
- NOTES:**
1. ALL DIMENSIONS ARE MM (INCH), TOLERANCES ±2.5 (±0.1)
  2. UNIT WEIGHT: 162.3 KG (357.8 LBS)
  3. STATIC WEIGHT CAPACITY: 1361 KG (3000 LBS)
  4. DYNAMIC WEIGHT CAPACITY: 1021 KG (2250 LBS)
  5. PACKAGE OF M6 SCREWS, CAGE NUTS INCLUDED.

DRAWN BY: TED BEAVER	SHEET NUMBER: 1 OF 3
CHECKED BY: BRAD REINBOLT	ECN NUMBER: N/A
REFERENCE DRAWING: N/A	QUOTE NUMBER: N/A

TITLE / DESCRIPTION  
**VERTIV VR RACK**  
48U x 600mm W x 1100mm D

<b>VR3107</b>	
DRAWING NUMBER: VR3107-SUBTL	DATE: 04/20/18
REV#: 1	1050 DEARBORN DRIVE P.O. BOX 29186 COLUMBUS, OHIO 43229



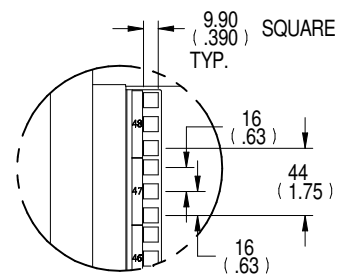


DRAWN BY: TED BEAVER	SHEET NUMBER: 2 OF 3
CHECKED BY: BRAD REINBOLT	ECON NUMBER: N/A
REFERENCE DRAWING: N/A	QUOTE NUMBER: N/A

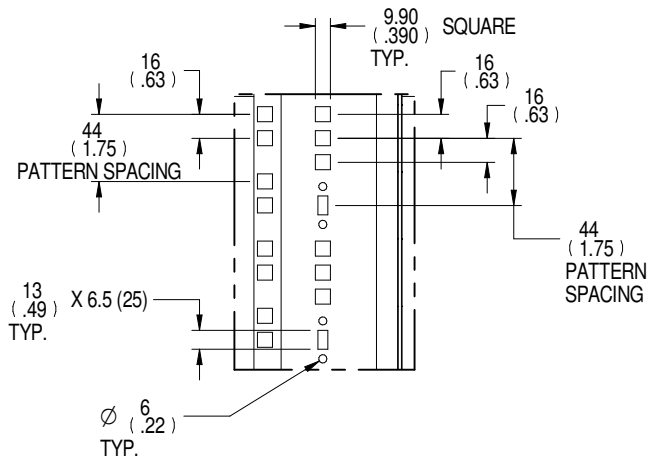
TITLE / DESCRIPTION  
VERTIV VR RACK  
48U x 600mm W x 1100mm D

VR3107	
DRAWING NUMBER: VR3107-SUBTL	DATE: 04/20/18
REV#: 1	1050 DEARBORN DRIVE P.O. BOX 29186 COLUMBUS, OHIO 43229

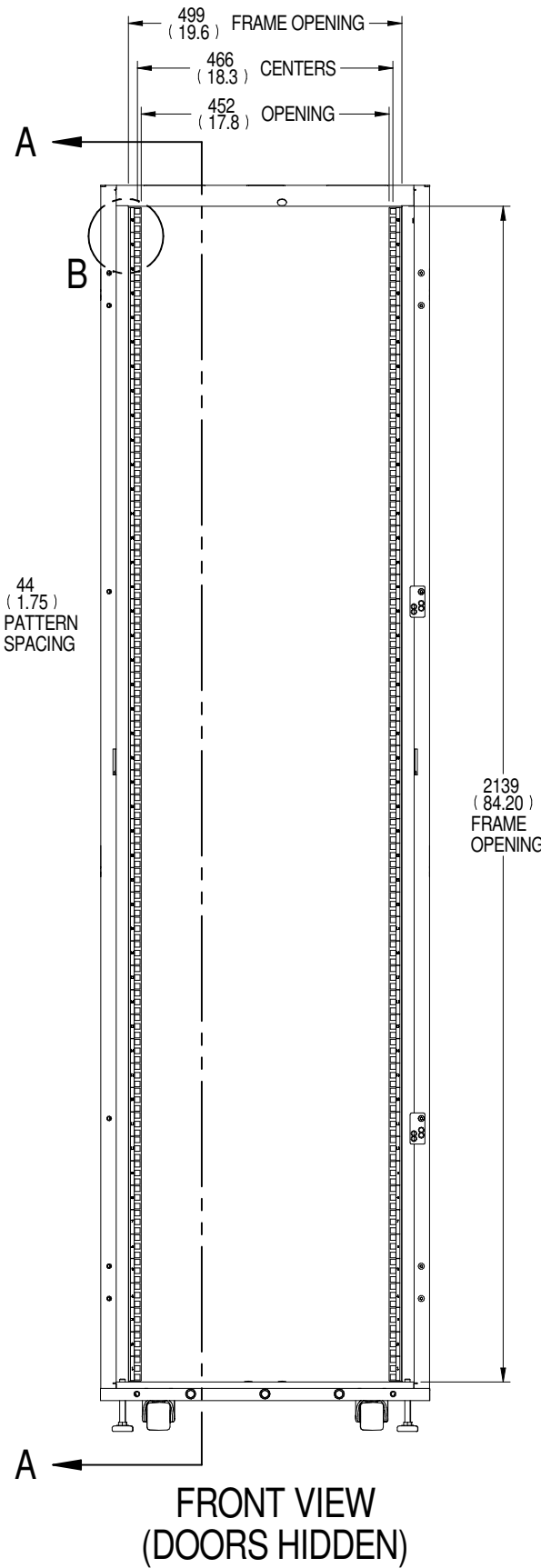




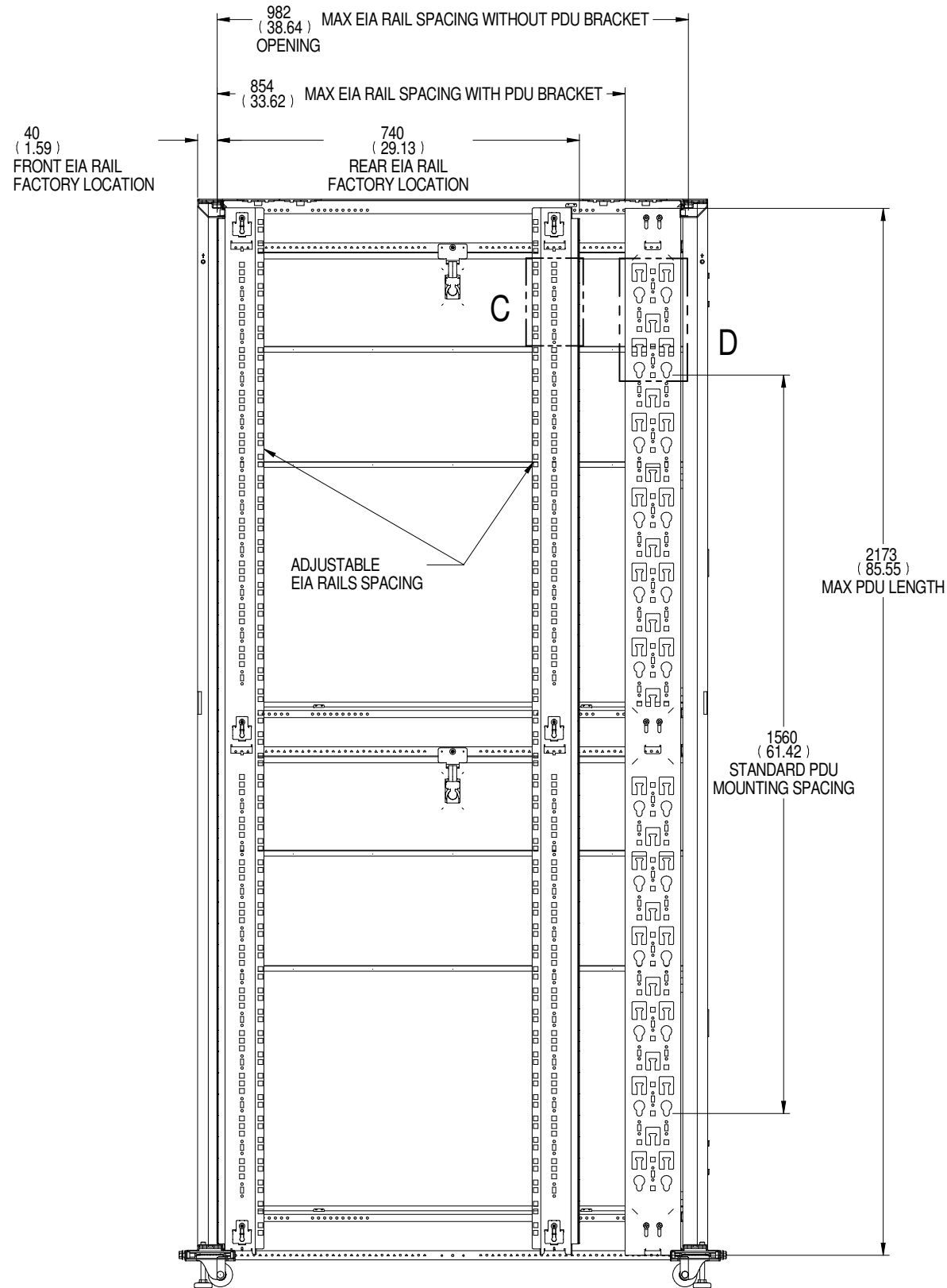
DETAIL B  
RMU DETAIL



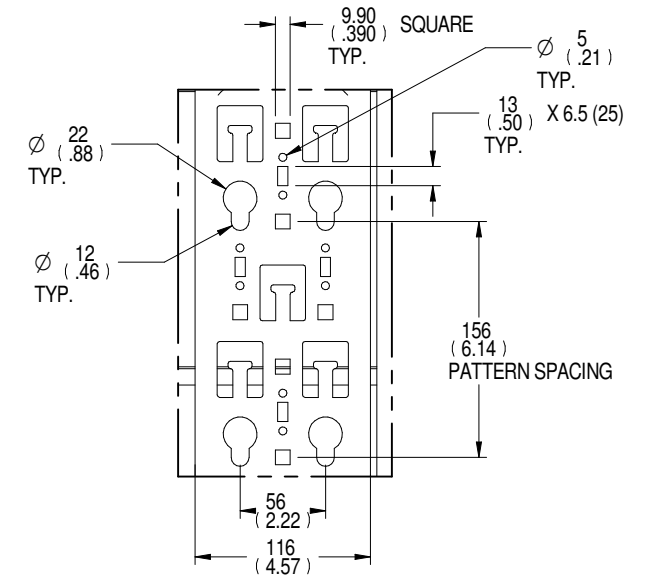
DETAIL C  
OPTIONAL ACCESSORY  
LOCATIONS



FRONT VIEW  
(DOORS HIDDEN)



SECTION A-A



DETAIL D  
PDU BRACKET  
DETAIL

DRAWN BY: TED BEAVER	SHEET NUMBER: 3 OF 3
CHECKED BY: BRAD REINBOLT	ECN NUMBER: N/A
REFERENCE DRAWING: N/A	QUOTE NUMBER: N/A

TITLE / DESCRIPTION  
VERTIV VR RACK  
48U x 600mm W x 1100mm D

VR3107

DRAWING NUMBER: VR3107-SUBTL	DATE: 04/20/18	REV#: 1	1050 DEARBORN DRIVE P.O. BOX 29186 COLUMBUS, OHIO 43229
---------------------------------	-------------------	------------	---

