

# Local Rack Access 18.5" LED LCD Console



## KVM Switch Installation Guide

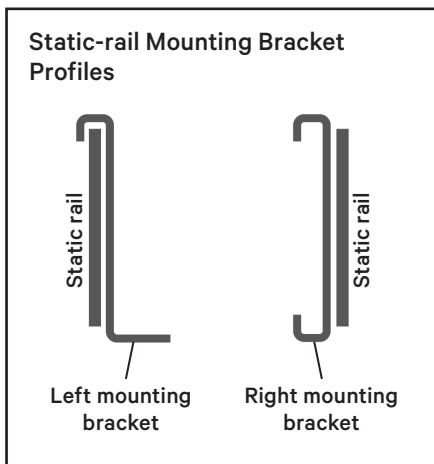
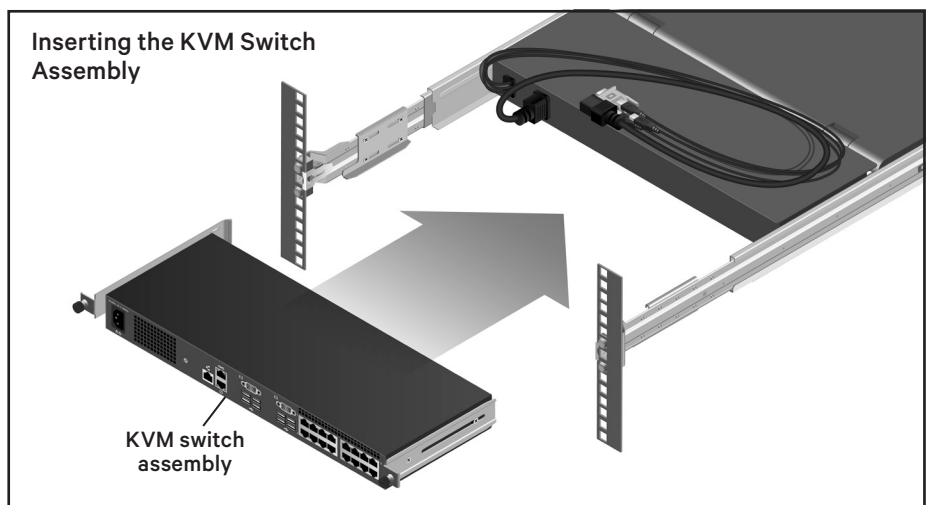
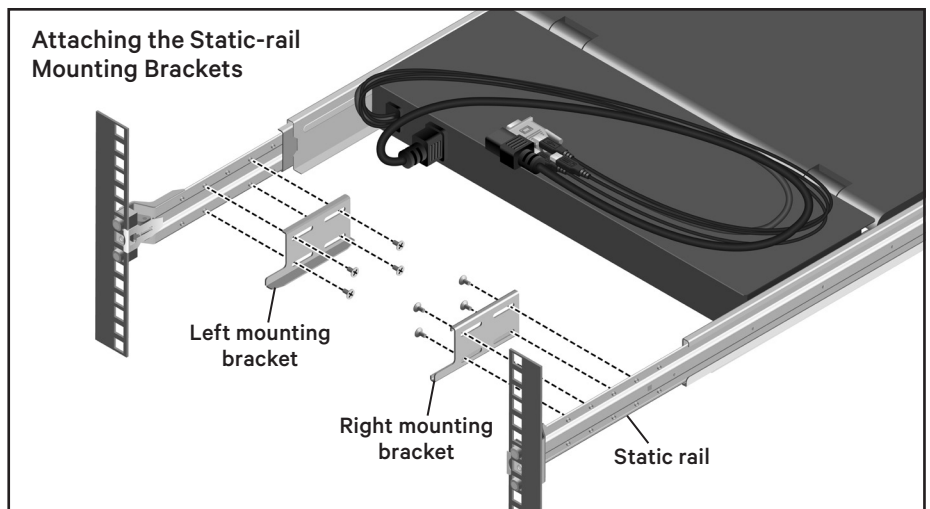
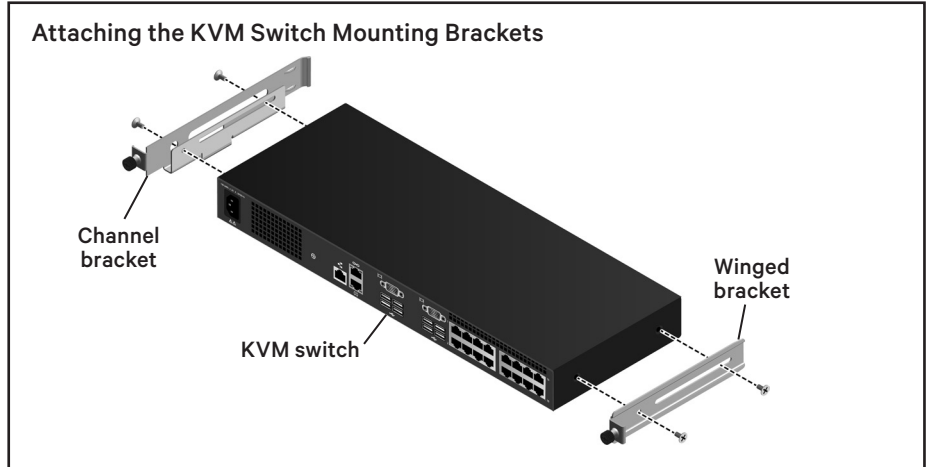
### 1. Attaching the KVM switch mounting brackets

Remove the screws on each side of the switch housing. With the rear of the switch facing you, reuse the screws to attach the larger channel bracket to the left side of the switch and the smaller winged bracket to the right side.

### 2. Installing the LCD static-rail mounting brackets

Facing the rear of the installed LCD, use the provided hardware to attach the KVM switch's static-rail mounting brackets to the holes in the static rail.

**NOTE:** Determine the left and right bracket as well as mounting orientation using the illustration to the right and the profile illustration below.



### 3. Inserting the KVM switch assembly

Insert the KVM switch assembly into the 1U space between the static rails.

The wings of the smaller winged bracket on the switch's right side slips into the upper and lower channels of the right static-rail mounting bracket.

The bottom of the larger channel bracket on the switch's left side rests on the bottom gusset of the left static-rail mounting bracket.

### 4. Routing the LCD cables

Route the LCD cables through the channel of the bracket on the left side of the switch.

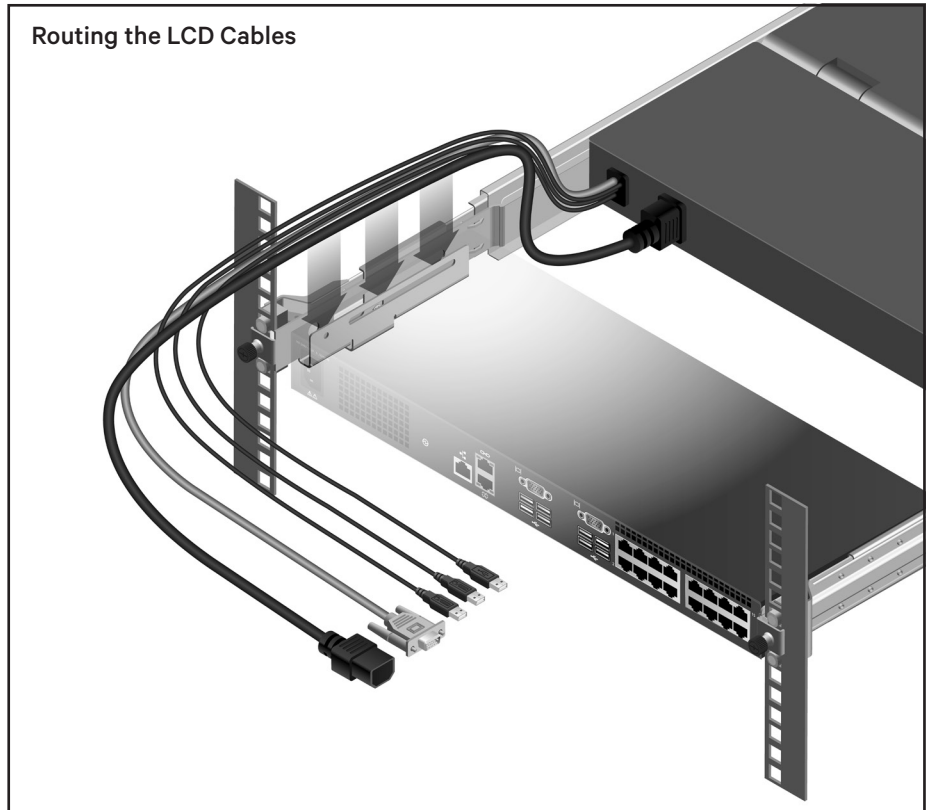
Arrange the cables with the larger cables in the bottom of the channel and smaller cables on top.

### 5. Connecting the LCD to the switch

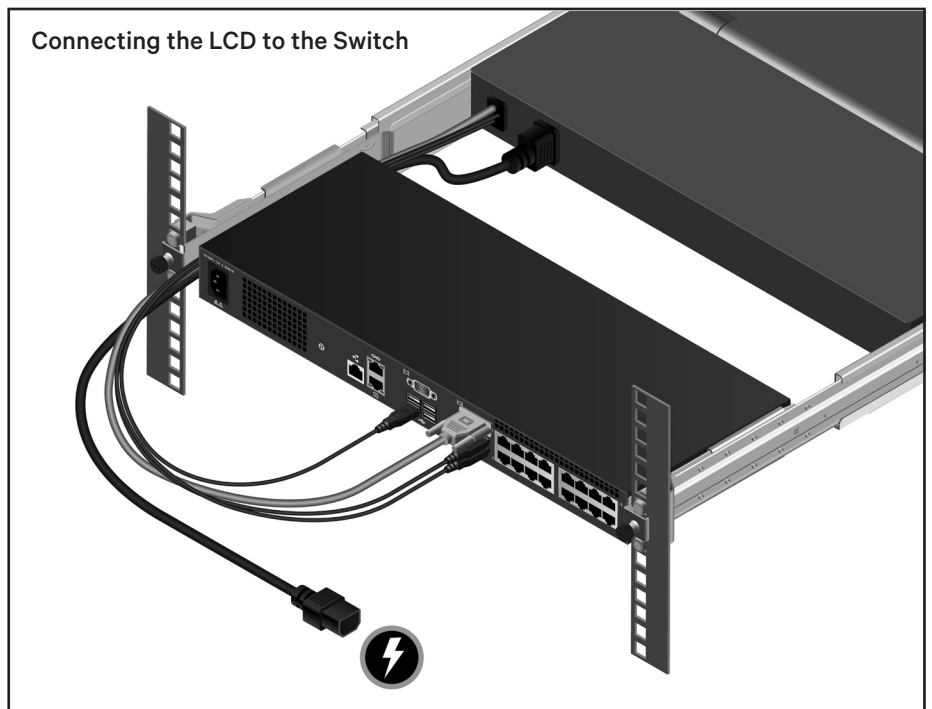
Connect the LCD VGA cable to the display port of the switch. Connect the keyboard/mouse connectors to the USB ports.

Connect the serial USB plug to a serial port.

Routing the LCD Cables



Connecting the LCD to the Switch



To contact Vertiv Technical Support: visit [www.Vertiv.com](http://www.Vertiv.com)

© 2021 Vertiv Group Corp. All rights reserved. Vertiv™ and the Vertiv logo are trademarks or registered trademarks of Vertiv Group Corp. All other names and logos referred to are trade names, trademarks or registered trademarks of their respective owners. While every precaution has been taken to ensure accuracy and completeness here, Vertiv Group Corp. assumes no responsibility, and disclaims all liability, for damages resulting from use of this information or for any errors or omissions. Specifications, rebates and other promotional offers are subject to change at Vertiv's sole discretion upon notice.

