

# Vertiv™ Liebert® GXT5 Lithium-Ion UPS 5-10kVA GV, 200-240V (L1, N/L2, G)



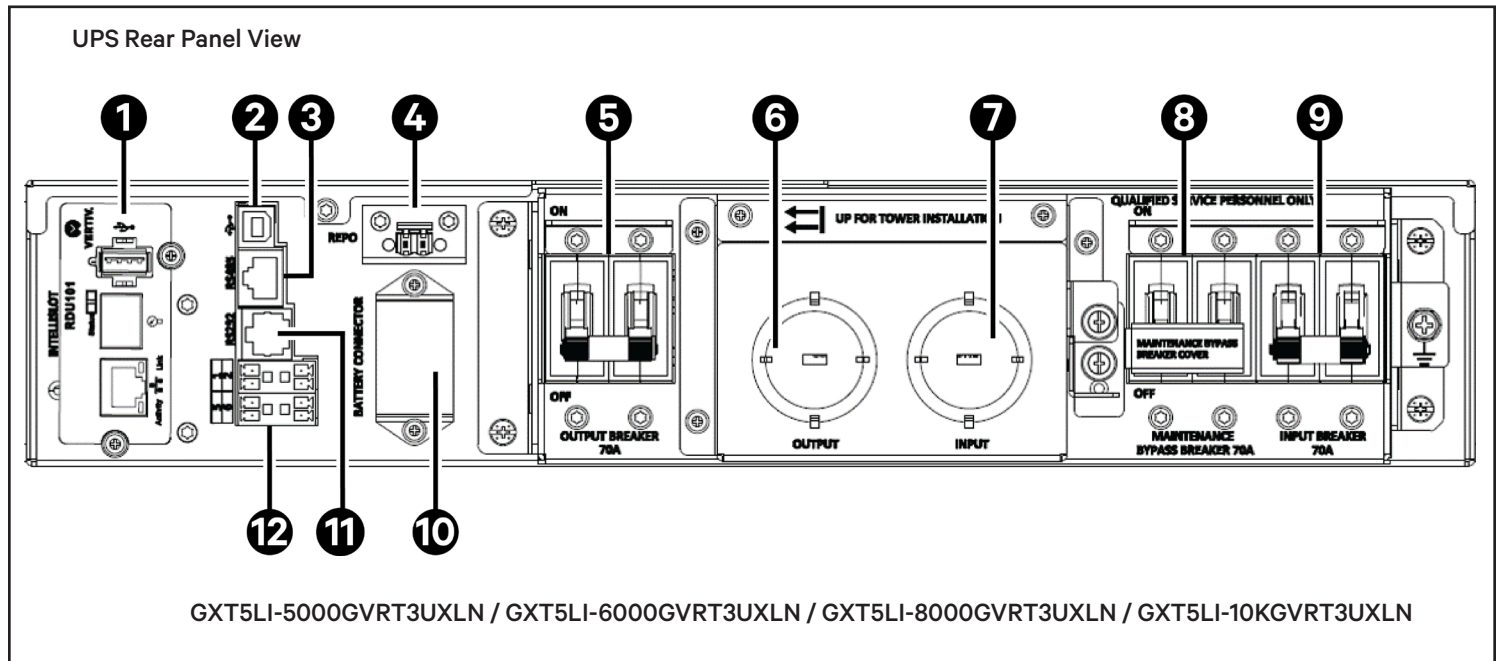
## Quick Installation Guide



Thank you for your recent purchase of a Vertiv UPS! We appreciate your business and are confident that your new product will provide many years of uninterruptible power to your connected equipment. With this purchase, you may also want to consider Vertiv's complete line of racks, PDUs, thermal solutions, KVM switches, and serial consoles. Vertiv also offers a broad array of services and extended warranties. If you require any assistance or support, please don't hesitate to reach out to one of our resellers, local rep firms, or directly to us at 1-800-222-5877 menu option 1. We stand ready to support you. We sincerely hope that you'll continue to select Vertiv for all your future infrastructure needs!

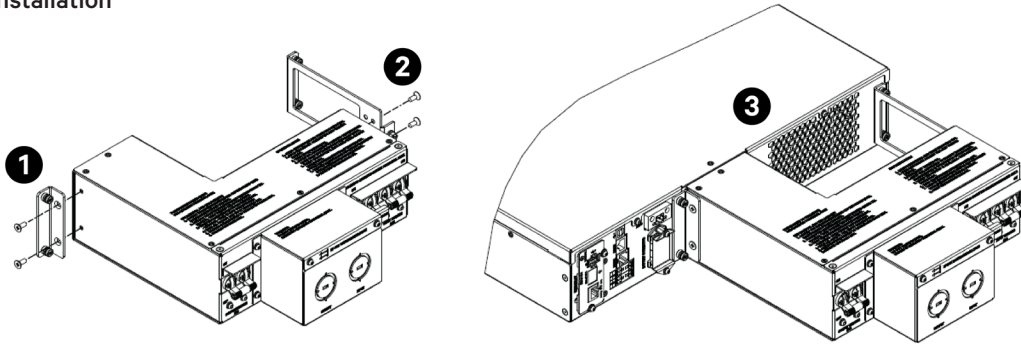
The Vertiv Team

**IMPORTANT:** Before installing, connecting to supply, or operating the Vertiv™ Liebert® GXT5 Lithium-Ion UPS, refer to the SL-55024 Safety and Regulatory Statements Sheet. For detailed installation, operation, maintenance, and troubleshooting information, refer to the Vertiv™ Liebert® GXT5 Lithium-Ion UPS User Guide for your model by scanning the QR code above, or visiting [www.Vertiv.com](http://www.Vertiv.com).

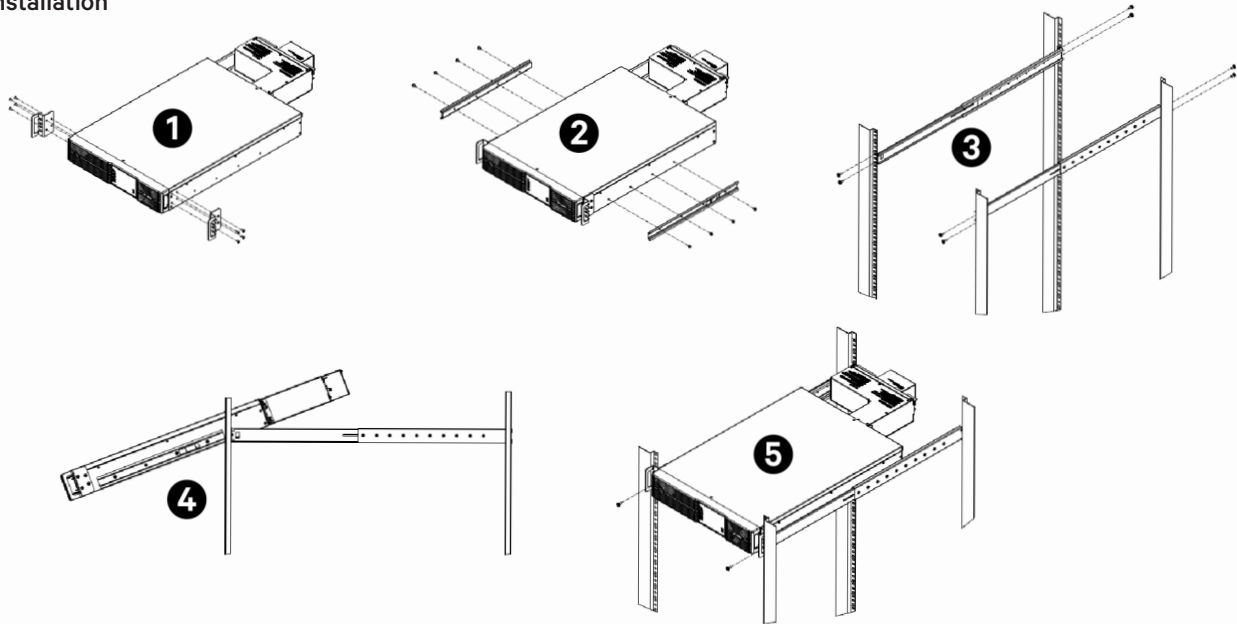


Item No.	Description	Item No.	Description
1	Preinstalled network card	7	Input hardwire connection
2	USB port	8	Maintenance bypass circuit breaker
3	External Battery Cabinet (EBC) communication port (RS-485)	9	Input circuit breaker
4	REPO connector	10	EBC connector
5	Output circuit breaker	11	RS-232 port (used for CLI)
6	Output hardwire connection	12	Dry contact communication terminal block

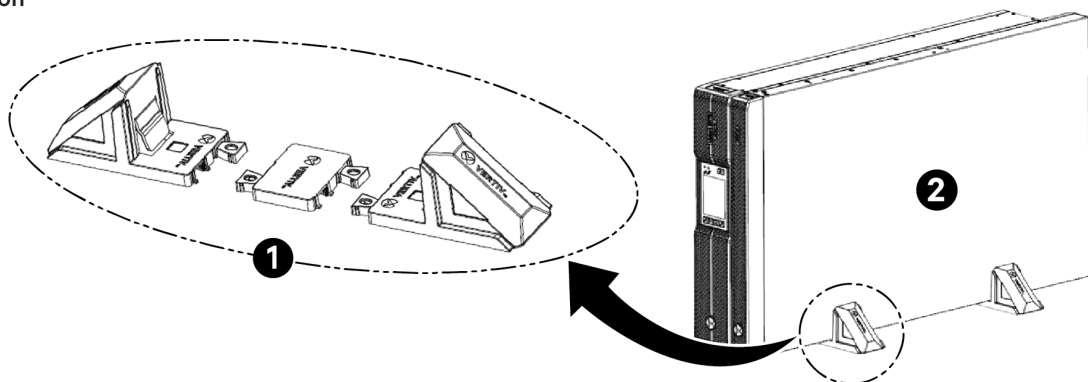
### MCB/POD Installation



### Rack Installation

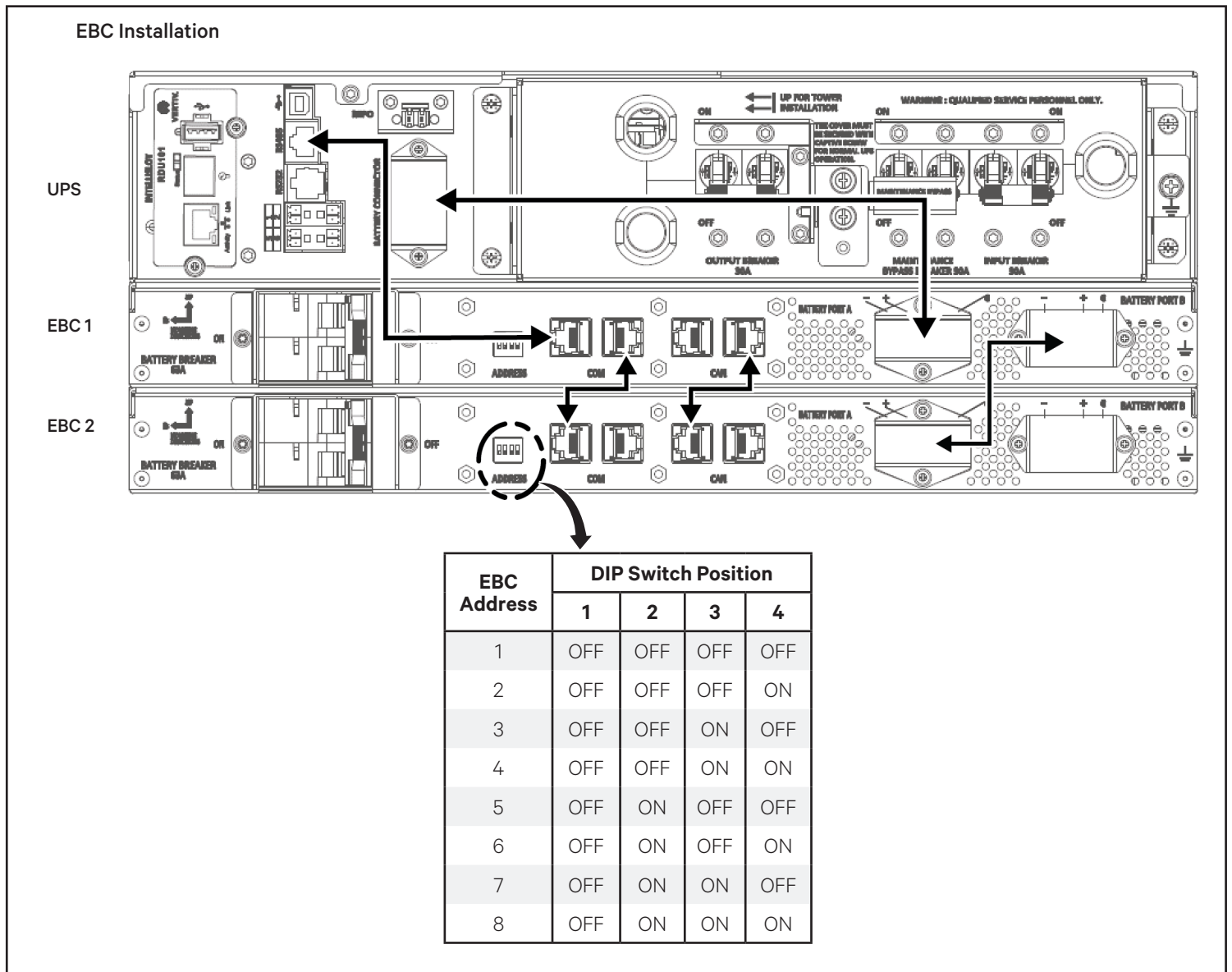


### Tower Installation



Wiring Details	5-6KVA UPS	8KVA UPS	10KVA UPS
Recommended panel feeder breaker	50 A	60 A	70 A
Recommended wire size (all wires) 90 °C Copper wire required	8 AWG (10 mm <sup>2</sup> )	6 AWG (13.3 mm <sup>2</sup> )	4 AWG (21.2 mm <sup>2</sup> )
Maximum wire accepted by terminal block	4 AWG (21.2 mm <sup>2</sup> )	4 AWG (21.2 mm <sup>2</sup> )	
Terminal tightening torque (phillips screw, 8 AWG wire)	25 lb-in	35 lb-in	
Terminal tightening torque (phillips screw, 4-6 AWG wire)	35 lb-in	26 lb-in	
Terminal tightening torque (flathead screw, 4-8 AWG wire)	26 lb-in	N/A	

Terminal Block Connections					
L1	N/L2			L1	N/L2
OUTPUT			INPUT		





**To contact Vertiv Technical Support: visit [www.Vertiv.com](http://www.Vertiv.com)**

© 2023 Vertiv Group Corp. All rights reserved. Vertiv™ and the Vertiv logo are trademarks or registered trademarks of Vertiv Group Corp. All other names and logos referred to are trade names, trademarks or registered trademarks of their respective owners. While every precaution has been taken to ensure accuracy and completeness here, Vertiv Group Corp. assumes no responsibility, and disclaims all liability, for damages resulting from use of this information or for any errors or omissions.

