



Liebert® Air-Cooled Fin/Tube Condensers

User Manual

50/60 Hz

The information contained in this document is subject to change without notice and may not be suitable for all applications. While every precaution has been taken to ensure the accuracy and completeness of this document, Vertiv assumes no responsibility and disclaims all liability for damages resulting from use of this information or for any errors or omissions.

Refer to local regulations and building codes relating to the application, installation, and operation of this product. The consulting engineer, installer, and/or end user is responsible for compliance with all applicable laws and regulations relation to the application, installation, and operation of this product.

The products covered by this instruction manual are manufactured and/or sold by Vertiv. This document is the property of Vertiv and contains confidential and proprietary information owned by Vertiv. Any copying, use, or disclosure of it without the written permission of Vertiv is strictly prohibited.

Names of companies and products are trademarks or registered trademarks of the respective companies. Any questions regarding usage of trademark names should be directed to the original manufacturer.

Technical Support Site

If you encounter any installation or operational issues with your product, check the pertinent section of this manual to see if the issue can be resolved by following outlined procedures.

Visit <https://www.vertiv.com/en-us/support/> for additional assistance.

TABLE OF CONTENTS

1 Important Safety Guidelines	1
2 Introduction	5
2.1 Product Description and Features	5
2.2 Agency Listed	5
2.3 Head Pressure Control Types	6
2.3.1 Fan Speed	6
2.3.2 Variable Frequency Drive	6
2.3.3 Vertiv™ Liebert® Lee-Temp Refrigerant Control	7
2.4 Sound Level Options	7
2.4.1 Standard Condenser	7
2.4.2 Vertiv™ Liebert® Quiet-Line Condenser	7
3 Site Preparation	9
3.1 Dimensions and Weights	9
4 Inspection and Installation	17
4.1 Equipment Inspection	17
4.1.1 Packing Material	17
4.2 Handling Unit on the Skid	18
4.3 Unit Storage	19
4.4 Unpacking the Condenser—All Unit Sizes	19
4.5 Preparing 1- to 4-Fan Condenser for Moving and Installation	20
4.6 Preparing 6- and 8-Fan Condensers for Moving and Installation	23
4.7 Mounting the Condenser	27
4.7.1 Standard Mounting Requirements	27
5 Piping	29
5.1 Piping Guidelines	30
5.2 Condenser Positioning Guidelines	31
5.3 Field Piping Requirements	33
5.4 Piping Connections	35
5.5 Refrigerant Planning Values	41
5.5.1 Refrigerant Oil Addition Procedures	43
5.5.2 System Dehydration/Leak Test and Charging Procedures	43
6 Electrical Connections	45
6.1 Electrical Supply Preparation	45
6.1.1 Line Voltage Wiring	50
6.1.2 Line Voltage Wiring	51
6.1.3 Low Voltage Control Wiring	53
6.2 Electrical Field Connection Descriptions	56
7 Checklist for Completed Installation	59
7.1 Moving and Placing Equipment	59

7.2 Electrical	59
7.3 Piping	59
7.4 Other	59
8 Operation	61
8.1 Startup Checklist	61
8.2 Startup	61
9 Troubleshooting	63
10 System Maintenance	65
10.1 General Procedures	65
10.2 Condenser Cleaning - Standard Coil	65
10.2.1 Condenser Cleaning - Heresite Coated Coil	66
11 Preventive Maintenance Checklist	68
Appendices	71
Appendix A: Technical Support and Contacts	71

1 Important Safety Guidelines

Save These Instructions

This manual contains important safety instructions that should be followed during the installation and maintenance of the Vertiv™ Liebert® Air-Cooled Fin/Tube Condenser. Read this manual thoroughly before attempting to install or operate this unit.

Only qualified personnel should move, install or service this equipment.

Adhere to all warnings, cautions and installation, operating and safety instructions on the unit and in this manual. Follow all operating and user instructions.



WARNING! Risk of improper handling, installation and service. Can cause property damage, injury or death. Only properly trained and qualified personnel should install or perform repairs or maintenance on this unit. Read all installation, operation and safety alerts and instructions and wear appropriate protective headgear, safety glasses, gloves and clothing before installing, operating or servicing this unit.



WARNING! Arc flash and electric shock hazard. Open all local and remote electric power disconnect switches, verify with a voltmeter that power is Off and wear personal protective equipment per NFPA 70E before working within the electric control enclosure. Failure to comply can cause serious injury or death.

Customer must provide earth ground to unit, per NEC, CEC and local codes, as applicable.

Before proceeding with installation, read all instructions, verify that all the parts are included and check the nameplate to be sure the voltage matches available utility power.

The factory-supplied disconnect switch is inside the electric control enclosure. The line side of this switch contains live high-voltage.

The only way to ensure that there is NO voltage inside the unit is to install and open a remote disconnect switch. Refer to unit electrical schematic. Follow all local codes.



WARNING! Risk of contact with high-speed, rotating fan blades. Can cause serious injury or death.

Fan blades can automatically start rotating without warning at any time during a cooling cycle or after power is restored after a power failure.

Open all local and remote electric power supply disconnect switches, wait 10 minutes and verify with a voltmeter that power is Off before working within the unit cabinet, removing the fan guards or servicing the fan speed control, fan blades or fan motors.



WARNING! Risk of electrical fire and short circuit. Can cause property damage, injury or death.

Select and install the line side electrical supply wire and overcurrent protection device(s) according to the specifications on the unit nameplate(s), per the instructions in this manual and according to the applicable national, state and local code requirements. Use copper conductors only.

Verify that all electrical connections are tight. Unit-specific wiring diagrams are provided on each unit.



WARNING! Risk of electric shock. Can cause injury or death.

The optional, variable-frequency fan-speed control may contain a stored electrical charge. Open all local and remote electric power disconnect switches, verify with a voltmeter that power is Off and wait 10 minutes before working within the optional, variable-frequency fan-speed control electrical enclosures.



WARNING! Risk of heavy condenser falling or tipping over. Can cause property damage, serious injury or death.

Confirm that all components of the lifting system are rated for the weight of the condenser by an OSHA Certified rating organization before attempting to lift and/or move the condenser. See **Table 3.1** on page 9 for the condenser weights.



CAUTION: Risk of contact with hot surfaces. Can cause injury. Fan motors, transformers, piping and other components may become extremely hot during normal operation. Wear thermally insulated gloves and appropriate protective clothing and allow time for components to cool when working within the cabinet or electric control enclosure.



CAUTION: Risk of contact with sharp edges, splinters and exposed fasteners. Can cause personal injury.

Only properly trained and qualified personnel wearing appropriate safety headgear, gloves, shoes and glasses should attempt to move, lift, remove packaging from or prepare unit for installation.



CAUTION: Risk of explosive discharge of high-pressure gas. Can cause injury.

Relieve system pressure and verify that the indoor and outdoor units are Off before making piping connections/disconnections.

Do not exceed the design pressure rating that is marked on the nameplate.

Do not install a shutoff valve between the compressor and the field-installed pressure relief valve.

NOTICE

Risk of improper storage. Can cause unit damage.

Keep unit protected from contact damage.

NOTICE

Risk of improper forklift handling. Can cause unit damage.

Keep the forklift tines level and at a height that will fit under the skid.

NOTICE

Risk of improper refrigerant charging. Can cause equipment damage.

Refrigerant R-407C and R-410A are blended refrigerants and must be introduced and charged from the cylinder only as a liquid.

When adding liquid refrigerant to an operating system, it may be necessary to add the refrigerant through the compressor suction service valve. Care must be exercised to avoid damage to the compressor.

Vertiv recommends connecting a sight glass between the charging hose and the compressor suction service valve. This will permit adjusting the cylinder hand valve so that liquid can leave the cylinder while allowing vapor to enter the compressor.

NOTICE

Risk of refrigerant overcharge. Can cause equipment damage.

Do not use the sight glass as an indicator when charging Vertiv™ Liebert® Air-Cooled Fin/Tube Condenser condenser systems.

NOTICE

Risk of using damaging cleaning agents, including non-base paint solvents. Can cause equipment damage and damage to property and loss of refrigerant charge.

Using acid-based or sodium hydroxide-based cleaners can damage the Liebert® Air-Cooled Fin/Tube Condenser condenser coil and cause a loss of charge. This could cause equipment damage as well as damage to the surrounding structure.

This page intentionally left blank.

2 Introduction

2.1 Product Description and Features

The Vertiv™ Liebert® Air-Cooled Fin/Tube Condenser is a low-profile, direct-drive propeller fan-type, air-cooled unit suitable for mounting outdoors. It provides for the heat rejection of either one or two separate refrigeration circuits, matching heat rejection capacity varying with the outdoor ambient temperatures and with each corresponding compressors heat rejection requirements. Constructed with an aluminum cabinet and a copper-tube aluminum fin coil, the unit is quiet and corrosion resistant. The condenser is quickly and easily installed, because all internal wiring is completed at the factory with only electrical connections to be made at the job site. All electrical connections and controls are enclosed in an integral weatherproof section of the condenser.

Figure 2.1 Liebert® Two Fan Condenser

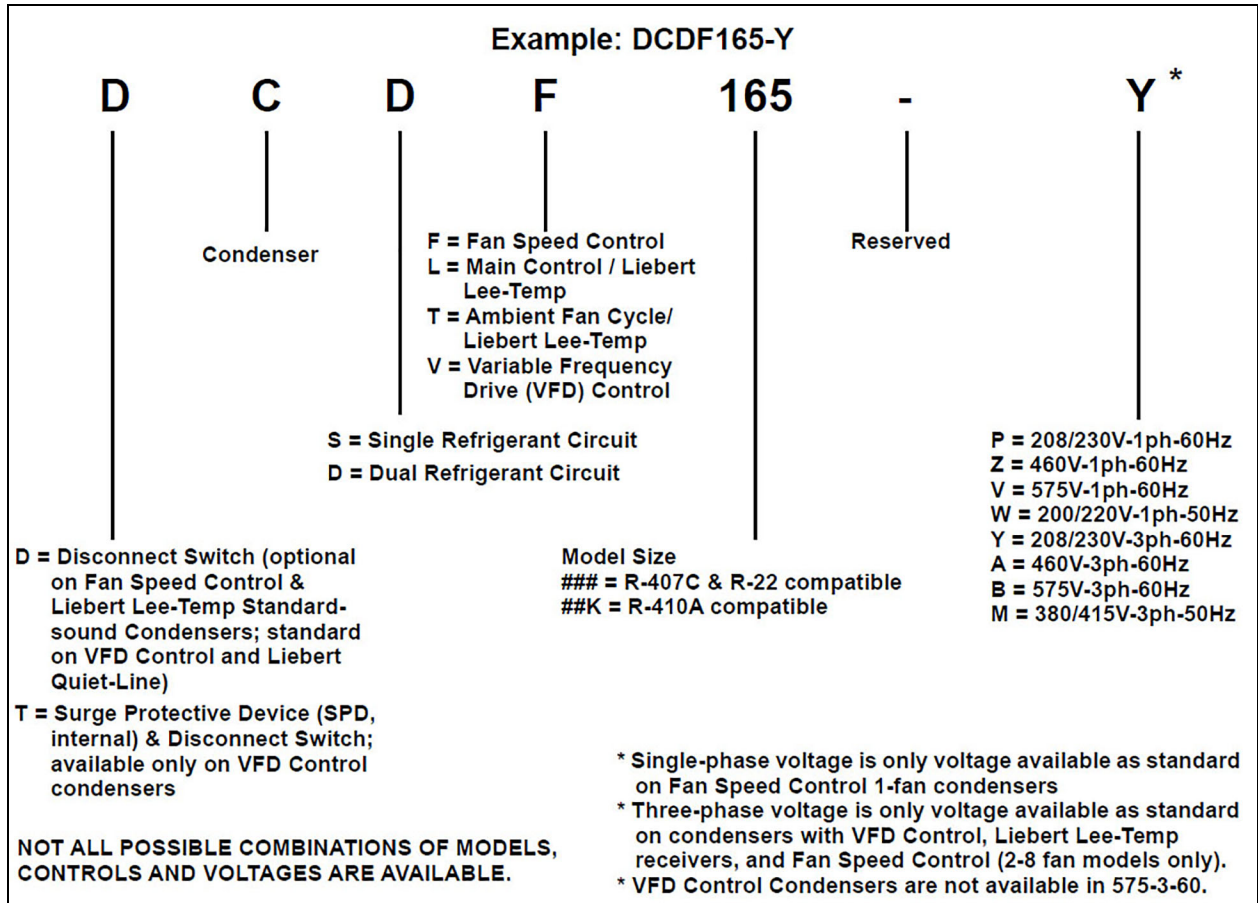


2.2 Agency Listed

Standard 60Hz units are CSA certified to the harmonized U.S. and Canadian product safety standard, CSA C22.2 No 236/UL 1995 for “Heating and Cooling Equipment” and are marked with the CSA c-us logo.



Figure 2.2 Product Model Nomenclature



2.3 Head Pressure Control Types

2.3.1 Fan Speed

Fan speed control utilizes a wave-chopper control to vary the air volume over the condenser coil, based on refrigerant head pressure. The fan motor next to the electrical panel (two fans on 6-fan and 8-fan models) is a single-phase, permanent split capacitor motor with motor speed adjusted in response to refrigerant pressure. The balance of fans on multi-fan units cycle on ambient thermostats. The control system provides refrigerant head pressure control for outdoor ambients as low as -20°F (-28.9 °C).

2.3.2 Variable Frequency Drive

VFD Condenser control system utilizes a variable frequency drive, inverter duty fan motor operating from 0% to 100% motor RPM based on head pressure, sensed by refrigerant pressure transducers. VFD, ambient-temperature thermostat(s), motor overload protection and electrical control circuit are factory-wired in the integral control panel. VFD controls the fan adjacent to the connection end of the condenser and remains energized with active compressor operation. The balance of fans on multi-fan units cycle on ambient thermostats. This system provides refrigerant head pressure control for outdoor ambients as low as 0 F (-17.8 C) as standard and, with optional, low-ambient VFD heater kit, will start/operate as low as -20°F (-28.9°C).

2.3.3 Vertiv™ Liebert® Lee-Temp Refrigerant Control

The Liebert® Lee-Temp head pressure control system is designed to maintain proper operating head pressures in outdoor temperatures down to -30°F (-34.4°C). The condensers utilize head pressure control valves, extra refrigerant and insulated refrigerant receivers with heater pads. It works by flooding the condenser coil with liquid refrigerant to a level that balances the system condensing requirements with the condenser coil surface available to reject the system heat. During the summer, the system requires the entire condenser coil surface for heat rejection and most of the refrigerant is stored in a receiver. In the winter, the same amount of heat can be rejected by only a fraction of the coil surface. As head pressure begins to fall, the control valve restricts the flow of liquid refrigerant exiting from the condenser. This extra liquid refrigerant reduces the effective condenser surface area available for heat transfer. The head pressure control valve also bypasses hot gas into the receiver to warm the liquid and maintain liquid pressure for proper operation of the expansion valve. Condenser fan controls are either fan cycling on ambient temperature or constant on. Liebert® Lee-Temp control is required for Vertiv™ Liebert® Quiet-Line Condensers.

2.4 Sound Level Options

2.4.1 Standard Condenser

All Fan Speed and VFD Condensers are standard condensers with moderate operating sound levels. Liebert® Lee-Temp condensers with standard size coils matching fan speed and VFD coil sizes are standard sound level condensers.

2.4.2 Vertiv™ Liebert® Quiet-Line Condenser

Liebert® Quiet-Line Condensers can help your facility meet the strictest noise codes and do so at less cost than traditional condensers with acoustical shielding. The Liebert® Quiet-Line Condensers utilize the same reliable construction features of the standard condensers and have oversized coils and slower speed fan motors which yield the required heat rejection needed at significantly lower sound levels. Liebert® Lee-Temp control is required for Liebert® Quiet-Line Condensers.

This page intentionally left blank.

3 Site Preparation

3.1 Dimensions and Weights

Table 3.1 Air-Cooled Condenser Weights, Dimensions and Volume, Approximate

Model	No. of Fans	Unit dry weight lb. (kg)	Domestic Packaging			Export Packaging		
			Shipping Weight lb. (kg)	Dimensions (LxWxH) in. (mm)	Volume ft ³ (m ³)	Shipping Weight lb. (kg)	Dimensions (LxWxH) in. (mm)	Volume ft ³ (m ³)
Standard Models								
083	1	295 (134)	450 (204)	62 x 36 x 63 (157 x 91 x 160)	81 (2.3)	557 (253)	63 x 37 x 64 (160 x 94 x 163)	86 (2.5)
104		315 (143)	470 (213)			577 (262)		
165	2	425 (193)	682 (309)	102 x 36 x 63 (259 x 91 x 160)	134 (3.8)	839 (381)	103 x 37 x 64 (262 x 94 x 163)	141 (4.0)
205		495 (225)	752 (341)			909 (412)		
251	3	500 (227)	859 (390)	142 x 36 x 63 (361 x 91 x 160)	186 (5.3)	1047 (475)	143 x 37 x 64 (363 x 94 x 163)	196 (5.6)
308		670 (304)	1029 (467)			1217 (552)		
415	4	840 (381)	1301 (590)	182 x 36 x 63 (462 x 91 x 160)	239 (6.7)	1558 (707)	183 x 37 x 64 (465 x 94 x 64)	251 (7.0)
510		1190 (540)	1651 (749)			1908 (865)		
616	6	1380 (626)	1823 (827)	142 x 36 x 94 (361 x 91 x 239)	278 (7.9)	2105 (955)	143 x 37 x 95 (363 x 94 x 241)	291 (8.2)
830	8	1750 (794)	2315 (1050)	182 x 36 x 94 (462 x 91 x 239)	356 (10.0)	2704 (1227)	183 x 37 x 95 (465 x 94 x 241)	372 (10.5)
1010		2640 (1197)	3205 (1454)			3594 (1630)		
Liebert® Quiet-Line Models								
063	1	315 (143)	470 (213)	62 x 36 x 63 (157 x 91 x 160)	81 (2.3)	577 (262)	63 x 37 x 64 (160 x 94 x 163)	86 (2.5)
119	2	425 (193)	682 (309)	102 x 36 x 63 (259 x 91 x 160)	134 (3.8)	839 (301)	103 x 37 x 64 (262 x 94 x 163)	141 (4.0)
127		495 (225)	752 (341)			909 (412)		
143		515 (234)	772 (350)			929 (421)		
214	3	840 (381)	1199 (544)	142 x 36 x 63 (361 x 91 x 160)	186 (5.3)	1387 (629)	143 x 37 x 64 (363 x 94 x 163)	196 (5.6)
286	4	1105 (501)	1566 (710)	182 x 36 x 63 (462 x 91 x 160)	239 (6.7)	1823 (827)	183 x 37 x 64 (465 x 94 x 64)	251 (7.0)
409	6	1380 (626)	1823 (827)	142 x 36 x 94 (361 x 91 x 239)	278 (7.9)	2105 (955)	143 x 37 x 95 (363 x 94 x 241)	291 (8.2)
572	8	2430 (1102)	2995 (1359)	182 x 36 x 94 (462 x 91 x 239)	356 (10.0)	3384 (1535)	183 x 37 x 95 (465 x 94 x 241)	372 (10.5)

Table 3.1 Air-Cooled Condenser Weights, Dimensions and Volume, Approximate (continued)

Model	No. of Fans	Unit dry weight lb. (kg)	Domestic Packaging			Export Packaging		
			Shipping Weight lb. (kg)	Dimensions (LxWxH) in. (mm)	Volume ft ³ (m ³)	Shipping Weight lb. (kg)	Dimensions (LxWxH) in. (mm)	Volume ft ³ (m ³)
R-410A Models								
28K	1	325 (147)	480 (218)	62 x 36 x 63 (157 x 91 x 160)	81 (2.3)	587 (266)	63 x 37 x 64 (160 x 94 x 163)	86 (2.5)
60K	2	475 (215)	732 (332)	102 x 36 x 63 (259 x 91 x 160)	134 (3.8)	889 (403)	103 x 37 x 64 (262 x 94 x 163)	141 (4.0)
90K	3	675 (306)	1034 (469)	142 x 36 x 63 (361 x 91 x 160)	186 (5.3)	1222 (554)	143 x 37 x 64 (363 x 94 x 163)	196 (5.6)

Table 3.2 Vertiv™ Liebert® Lee-Temp Receiver Weights

Condenser Model #	Receiver Part #	Receivers per Condenser	Weight per Receiver lb. (kg)
Standard Models			
DCSL083	1C19982P1	1	100 (45)
DCSL104	1C19982P1		100 (45)
DCSL165	W-0050		125 (57)
DCSL205	W-0050		125 (57)
DCSL251	W-0050		125 (57)
DCSL308	W-0060		145 (66)
DCSL415	185011P1		260 (118)
DCSL616	W-0410 ¹		200 (91)
DCSL616	179701P1 ²		424 (192)
DCDL104	1C19982P1	2	100 (45)
DCDL165	1C19982P1		100 (45)
DCDL205	W-0050		125 (57)
DCDL251	1C19982P1		100 (45)
DCDL308	W-0050		125 (57)
DCDL415	W-0060		145 (66)
DCDL510	W-0410		200 (91)
DCDL616	W-0060		145 (66)
DCDL830	185011P1		260 (118)

Table 3.2 Vertiv™ Liebert® Lee-Temp Receiver Weights (continued)

Condenser Model #	Receiver Part #	Receivers per Condenser	Weight per Receiver lb. (kg)
Liebert® Quiet-Line Models			
DCSL063	1C19982P1	1	100 (45)
DCST119	W-0050		125 (57)
DCSL127	W-0050		125 (57)
DCSL143	W-0060		145 (66)
DCST214	W-0410		200 (91)
DCST286	W-0410		200 (91)
DCDL119	1C19982P1	2	100 (45)
DCDL127	1C19982P1		100 (45)
DCDL143	W-0050		125 (57)
DCDT214	W-0050		125 (57)
DCDL286	W-0060		145 (66)
DCDT409	W-0410		200 (91)
DCDT572	W-0410		200 (91)
R-410A Models			
DCSL28K	195315P1	1	125 (57)
DCSL60K	195316P1		145 (66)
DCSL90K	196702P1		200 (91)
1. Match-up for 35 to 105°F (2 to 41°C) design temperature range.			
2. Match-up for -30 to 105°F (-34 to 41°C) design temperature range.			

Figure 3.1 Condenser Planning Dimensional Data—1- and 2-Fan Units

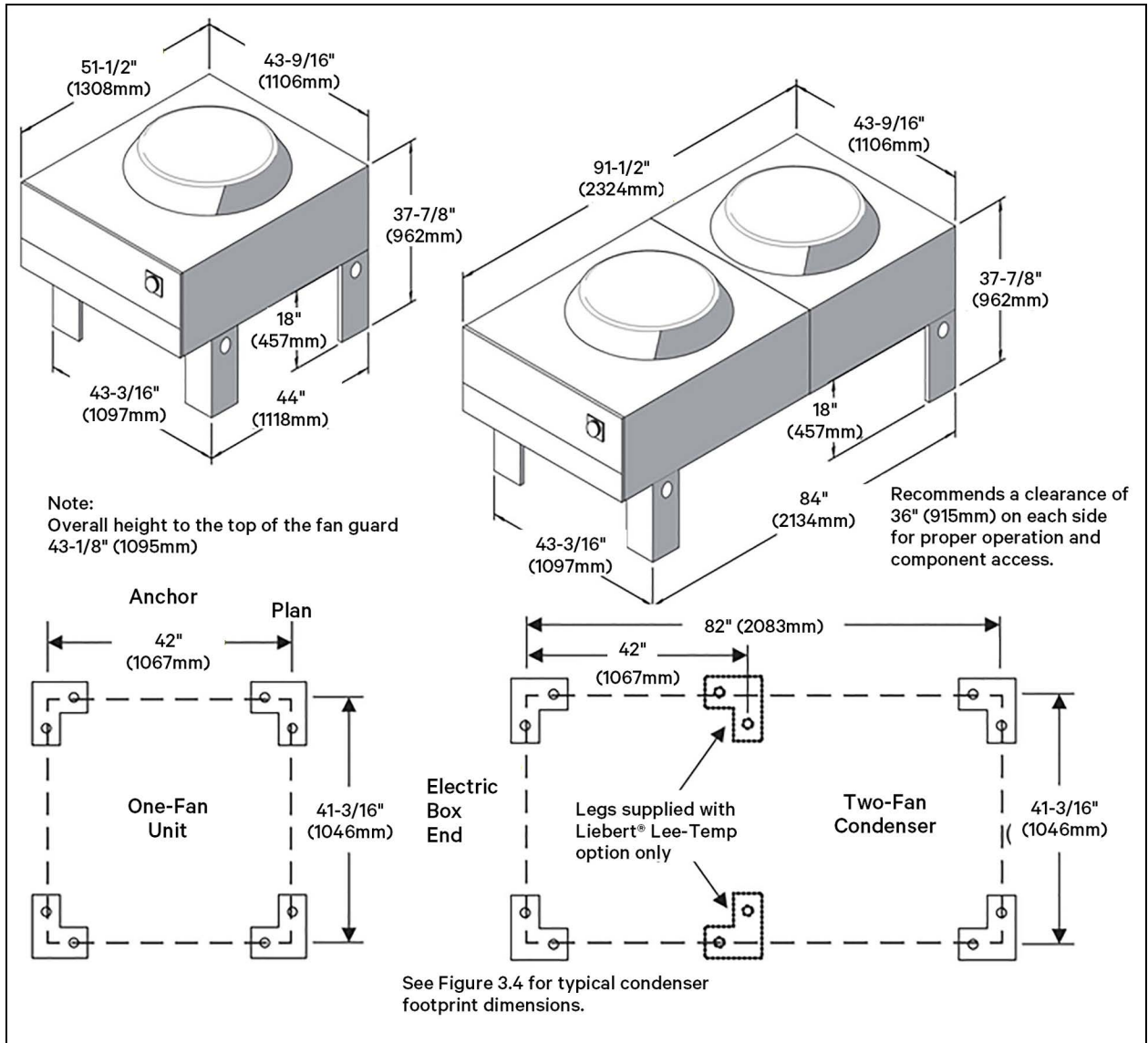


Figure 3.2 Condenser Planning Dimensional Data—3- and 4-fan Units

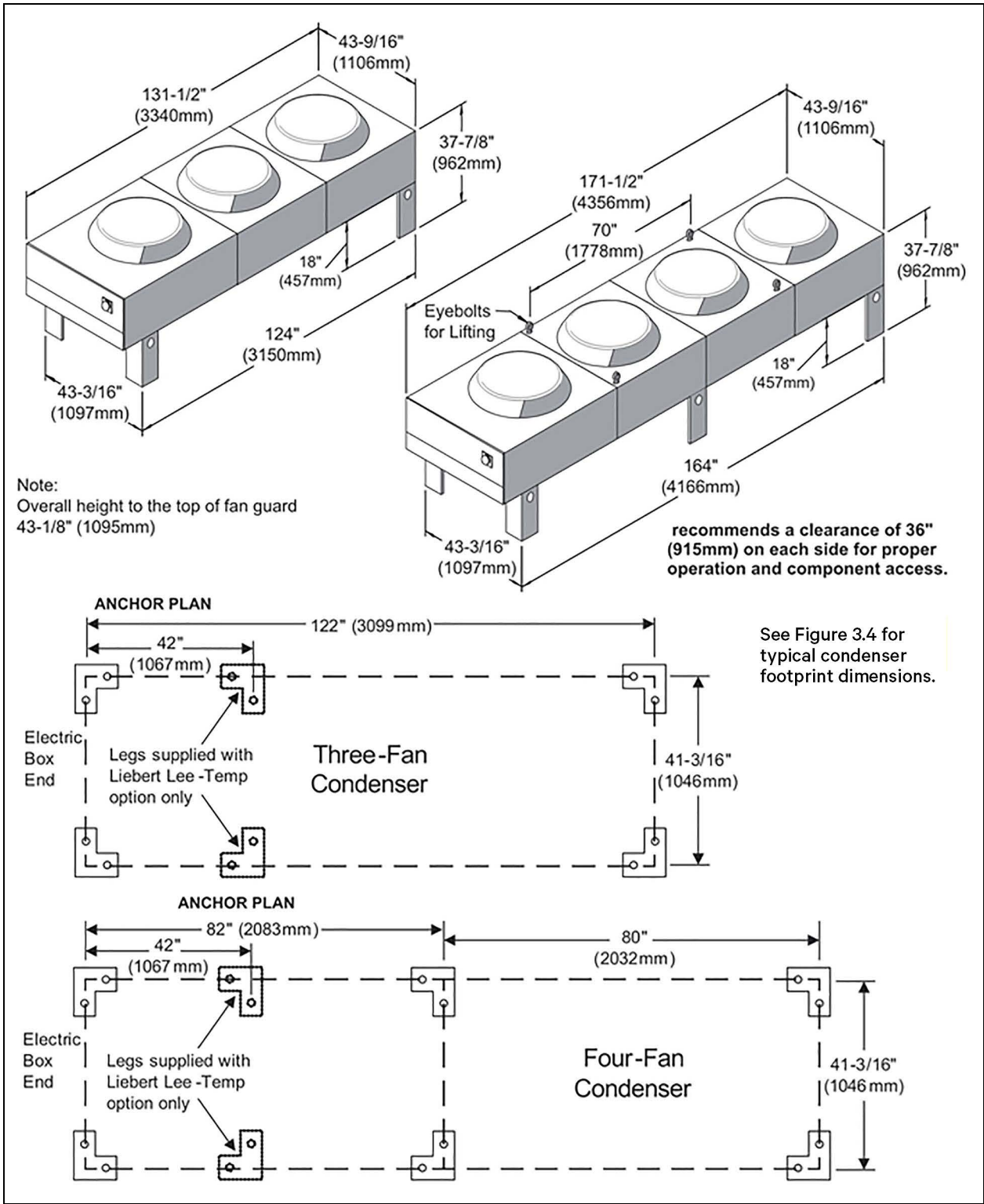


Figure 3.3 Condenser Planning Dimensional Data—6- and 8-fan Units

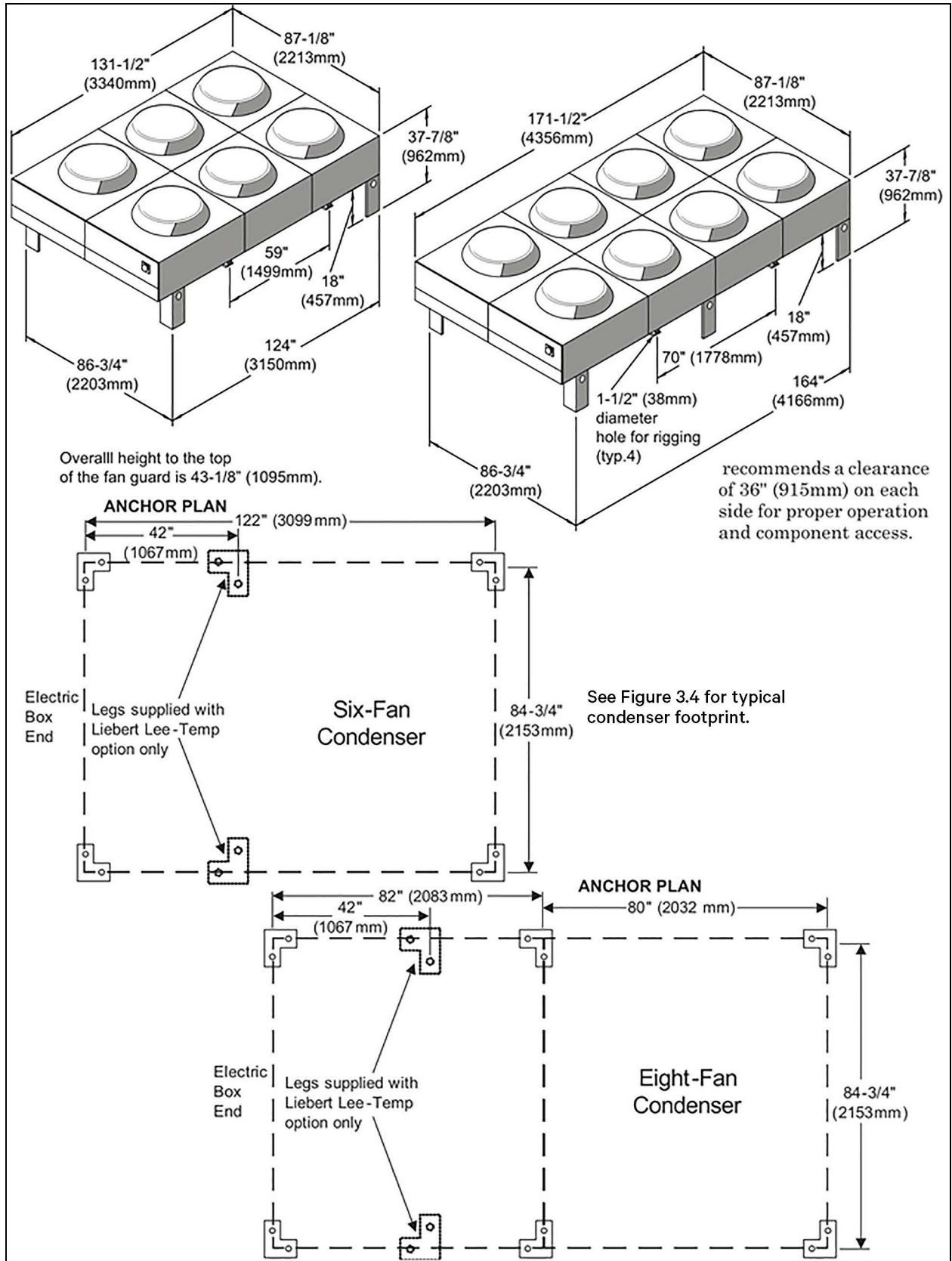
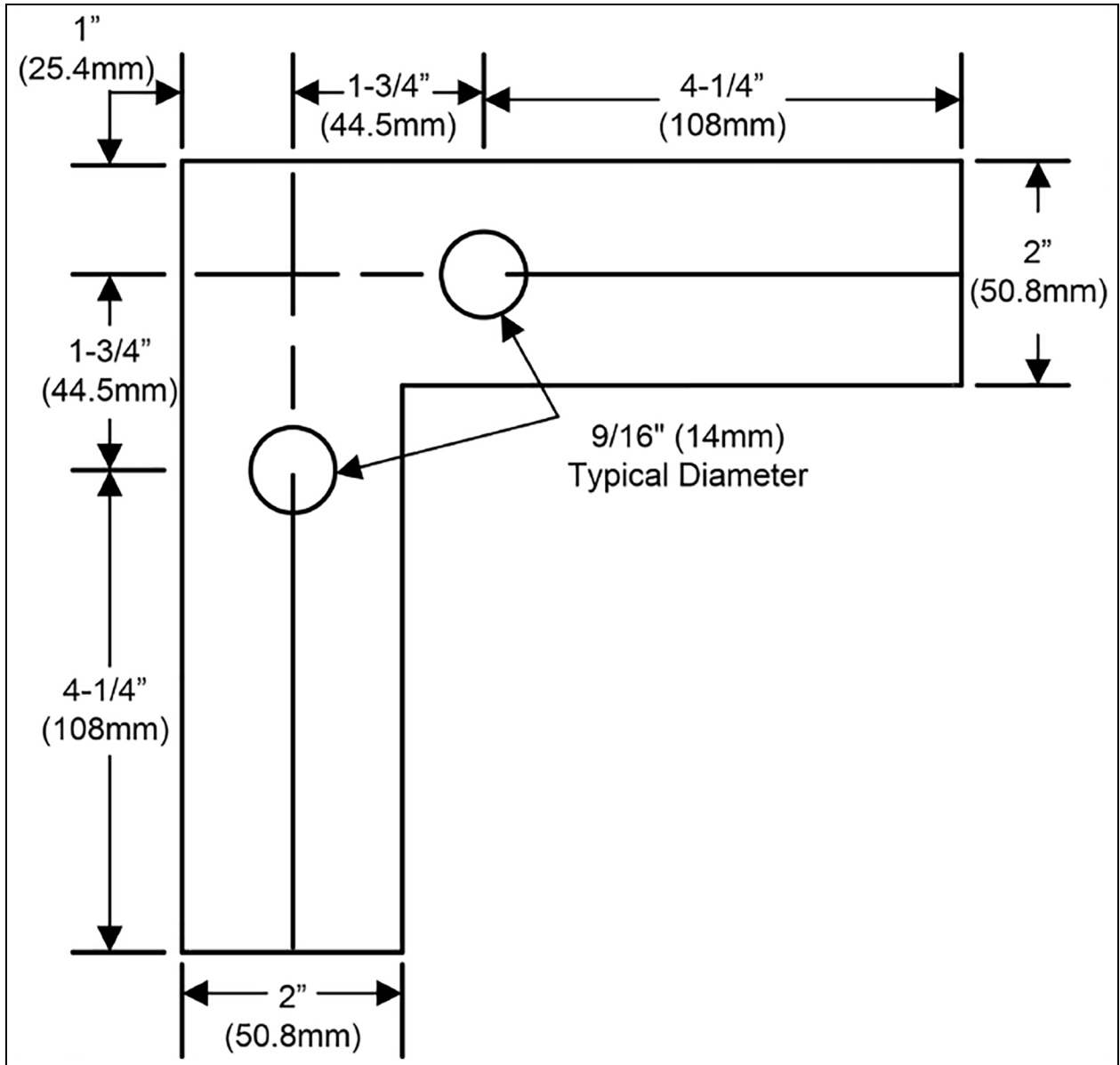


Figure 3.4 Typical Fin/Tube Condenser Footprint—Dimensions



This page intentionally left blank.

4 Inspection and Installation



WARNING! Risk of improper handling. Can cause equipment damage, injury or death.

Read all of the following instructions before attempting to move, lift, remove packaging from or preparing unit for installation.



WARNING! Risk of heavy unit falling or tipping over. Can cause property damage, serious injury or death.

Confirm that all components of the lifting system are rated for the weight of the condenser by an OSHA Certified rating organization before attempting to lift and/or move the condenser. See **Table 3.1** on page 9 and **Table 3.2** on page 10 for the condenser weights.



CAUTION: Risk of contact with sharp edges, splinters and exposed fasteners. Can cause personal injury.

Only properly trained and qualified personnel wearing appropriate safety headgear, gloves, shoes and glasses should attempt to move, lift, remove packaging from or prepare unit for installation.

NOTICE

Risk of improper forklift handling. Can cause unit damage.

Keep the forklift tines level and at a height that will fit under the skid.

NOTICE

Risk of improper storage. Can cause unit damage.

Keep unit protected from contact damage.

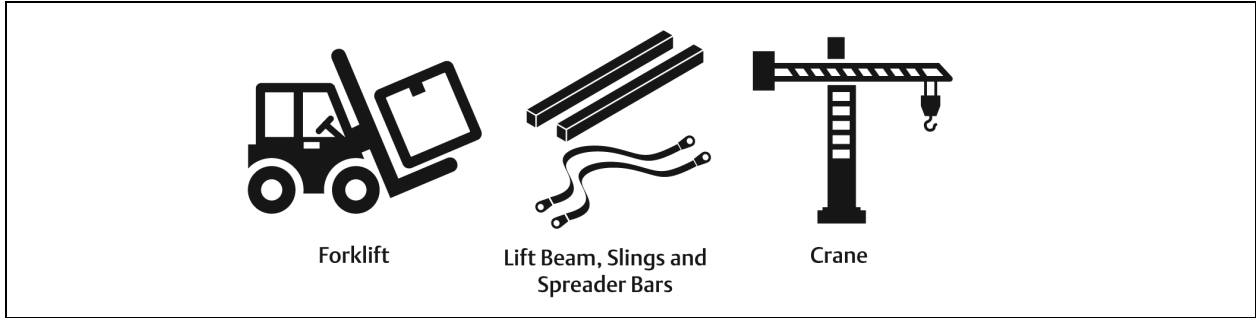
4.1 Equipment Inspection

Upon arrival of the unit and before unpacking, verify that the labeled equipment matches the bill of lading. Carefully inspect all items for either visible or concealed damage. Report any damage immediately to the carrier and your local Vertiv representative. File a damage claim with the carrier and send a copy to your local Vertiv representative.

4.1.1 Packing Material

All material used to package this unit is recyclable. Please save it for future use or dispose of the material appropriately.

Figure 4.1 Equipment Recommended for Handling a Vertiv™ Liebert® Condenser



! WARNING! Risk of heavy unit falling or tipping over. Can cause property damage, serious injury or death.

Confirm that all components of the lifting system are rated for the weight of the condenser by an OSHA Certified rating organization before attempting to lift and/or move the condenser. See **Table 3.1** on page 9 and **Table 3.2** on page 10 for the condenser weights.

4.2 Handling Unit on the Skid

Transport unit using a fork lift or a crane with sling and spreader bars.

Using a forklift

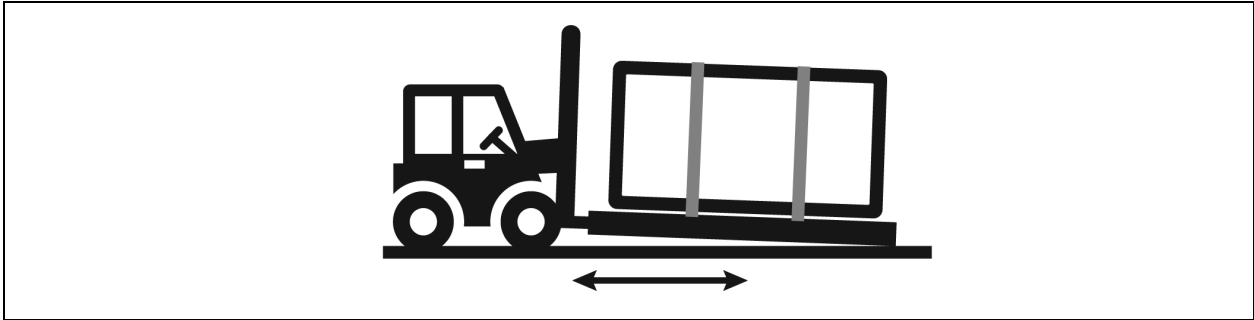
NOTICE

Risk of improper forklift handling. Can cause unit damage.

Keep the forklift tines level and at a height that will fit under the skid.

- Make sure the forks (if adjustable) are spread to the widest allowable distance to still fit under the skid.
- Type of forklift used will depend on the terrain the unit is to be moved across during handling.
- Minimum forklift fork length:
 - for 1-fan and 2-fan units—48 in. (1219 mm)
 - for 3-fan and 4-fan units—72 in. (1829 mm)
 - for 6-fan units—72 in. (1829 mm)
 - for 8-fan units—96 in. (2438 mm)
- When moving the packaged unit, do not lift it any higher than 6 in. (152 mm). If the unit must be lifted higher than 6 in. (152 mm), great care must be exercised and no one may be closer than 20 ft (5 m) to the lift point.
- Using a forklift to move the unit, lift from one end only, and do not raise the end more than 6 in. (152 mm), see **Figure 4.2** on the facing page .

Figure 4.2 Forklift Position with 1- to 8-fan Condensers



Using a Crane

- Verify that the crane and slings rated for the unit weight.
- Spreader bars must be used for sling stability and to keep the slings from pressing against the unit. Make sure spreader bars are wider than the unit.
- Place the slings near the ends and in the middle of the unit, under the top deck boards of the skid.

4.3 Unit Storage

Store the condenser in the original packaging in an area protected from excessive dirt, debris and contact damage until final installation.

4.4 Unpacking the Condenser—All Unit Sizes



CAUTION: Risk of contact with sharp edges, splinters and exposed fasteners. Can cause personal injury.

Only properly trained and qualified personnel wearing appropriate safety headgear, gloves, shoes and glasses should attempt to move, lift, remove packaging from or prepare unit for installation.

Refer to **Figure 4.3** on the next page for the following steps:

1. For domestic packaging:
 - Remove the fastener clamps from the top and sides of the unit.
 - Remove all screws and washers from the wooden fencing.
 - Remove the fence

– or –

For export packaging, remove the crate.

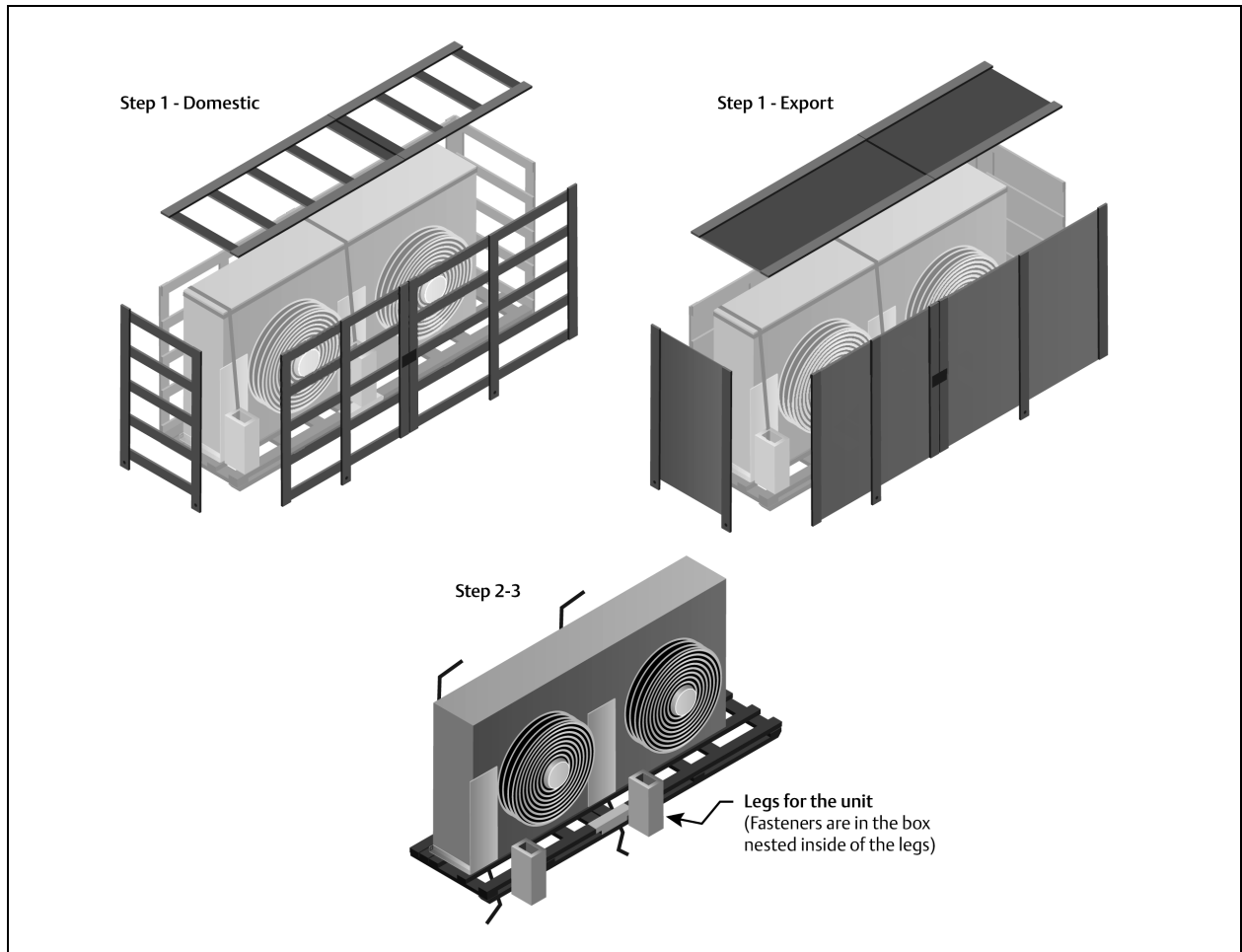
2. Carefully remove the steel straps securing the unit to the skid.



WARNING! Risk of unsecured strap ends with sharp edges flying uncontrollably in any direction when cut. Can cause serious injury. Secure both ends of each strap when cutting and wear OSHA approved protective headgear, gloves and eye protection when working with the securing straps.

3. Set the legs aside, but keep accessible.
 - Depending on the number of fans, more or less steel straps may be removed at this step.

Figure 4.3 Removing Protective Material

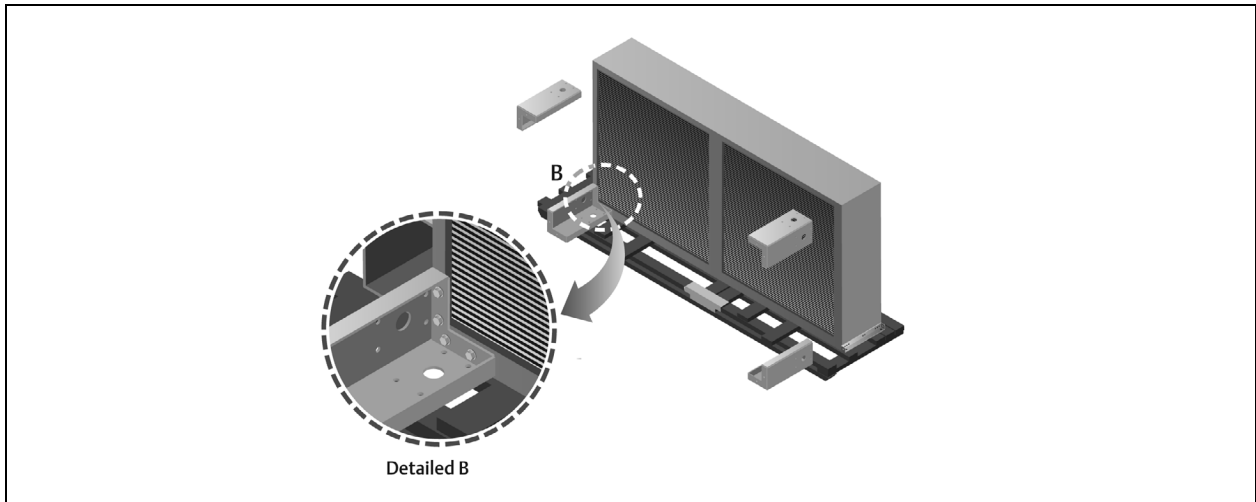


4.5 Preparing 1- to 4-Fan Condenser for Moving and Installation

The following procedure is one method for removing a unit from the shipping skid. Other methods may be used, provided that they are safe for personnel, the condenser and other equipment.

1. Attach legs to the unit at indicated locations, using the fasteners provided with the legs, **Figure 4.4** on the facing page.
 - Recommended tools for attachment is a 5/8" socket and ratchet.
 - More legs may be available for installation than are shown. This will depend on the unit type and number of fans.

Figure 4.4 Attaching Legs to 1-fan to 4-fan Condensers



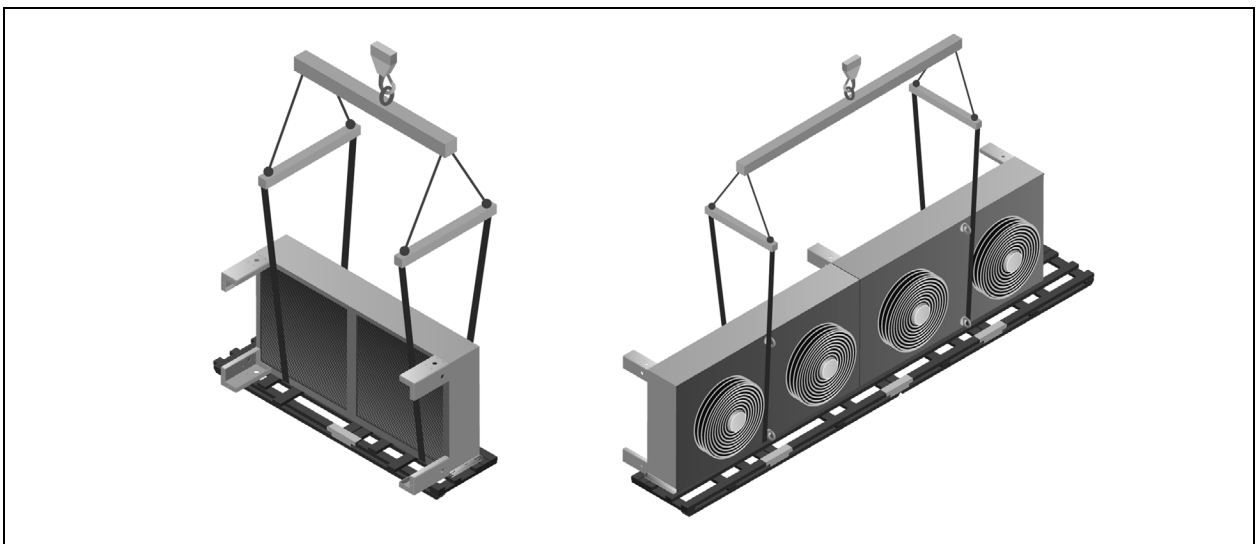
2. Place slings around the unit between the unit and the top deck boards of the skid as shown in [Securing Slings to 1- to 4-fan Condensers for Lifting Off Skid](#) below :
 - **1-fan, 2-fan and 3-fan units:** against the inside of the attached legs.
 - **4-fan units:** against the outside of the attached eye bolts.
3. Use spreader bars, a lift beam and a crane to lift the unit off the skid. Make sure spreader bars are wider than the unit.

NOTICE

Risk of improper lifting. Can cause equipment damage.

Make sure that the spreader bars wider are than the unit. If the spreader bars are too short, the slings may crush the unit.

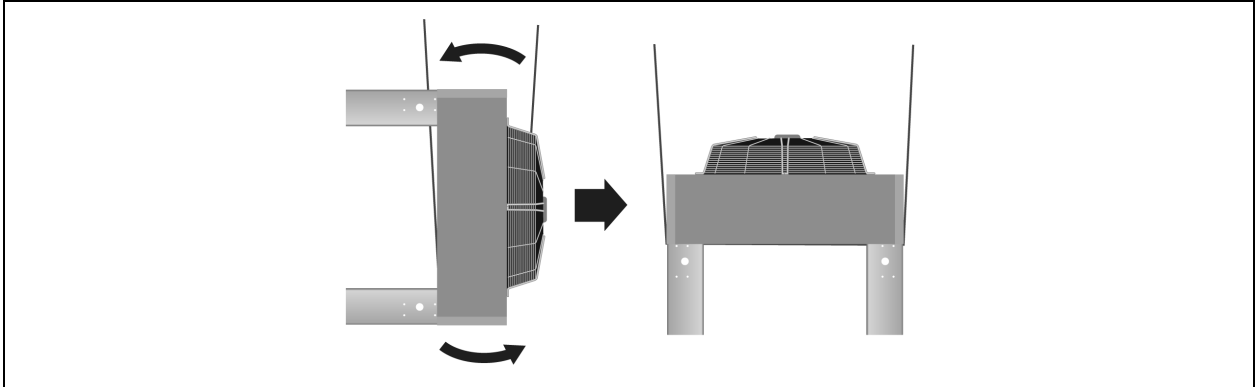
Figure 4.5 Securing Slings to 1- to 4-fan Condensers for Lifting Off Skid



4. Lift the unit 24" (610mm) off the top deck of the skid.
5. Remove the skid from under the unit.

6. To rotate the unit, a mechanized method is recommended, but if one is not available, use a minimum of four properly-protected individuals to rotate the elevated unit 90 degrees so the unit legs are pointing toward the ground. See [Rotate and Set Condenser on Floor](#) below
7. Set the upright unit on the ground so the legs support unit weight.
8. Remove the straps from around unit.

Figure 4.6 Rotate and Set Condenser on Floor



9. Refer to **Figure 4.7** on the facing page to attach rigging for lifting. Spreader bars are still required. Make sure that the spreader bars are wider than the unit to prevent crushing force.
 - **1-fan, 2-fan and 3-fan units:** Route the straps through the large holes in the side of the legs.
 - **4-fan units:** Secure straps or chains to the eye bolts on top of the unit.

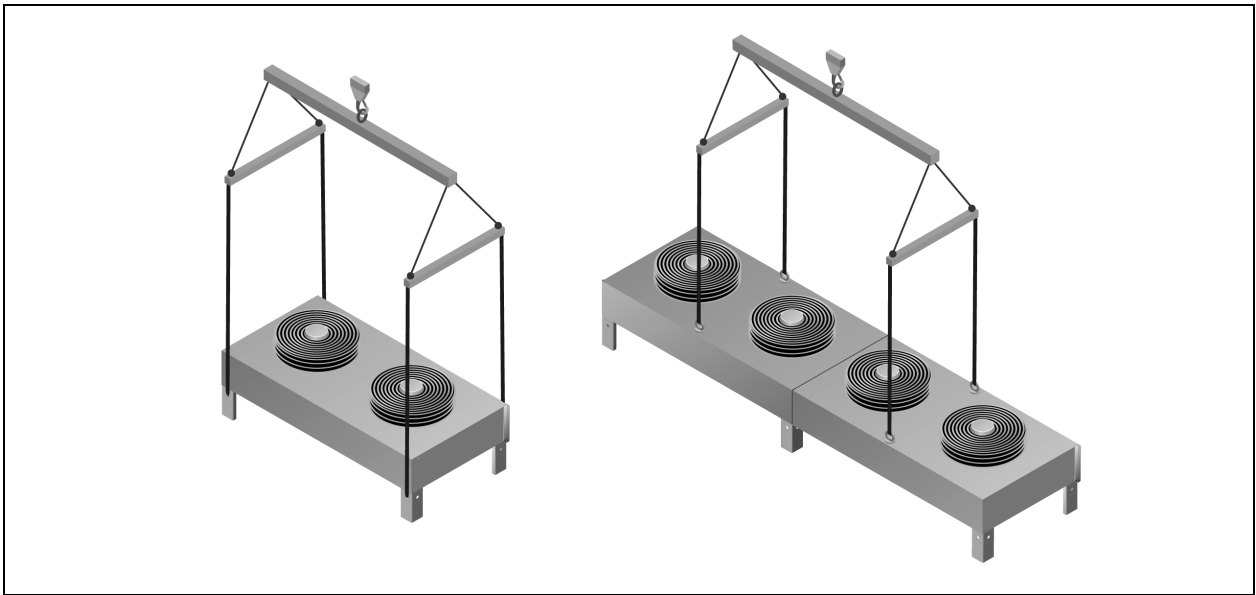
NOTICE

Risk of improper lifting. Can cause equipment damage.

Make sure that the spreader bars wider are than the unit. If the spreader bars are too short, the slings may crush the unit.

The unit is ready to be lifted and moved to its installation location.

Figure 4.7 Rigging to Lift 1- to 4-fan Condensers

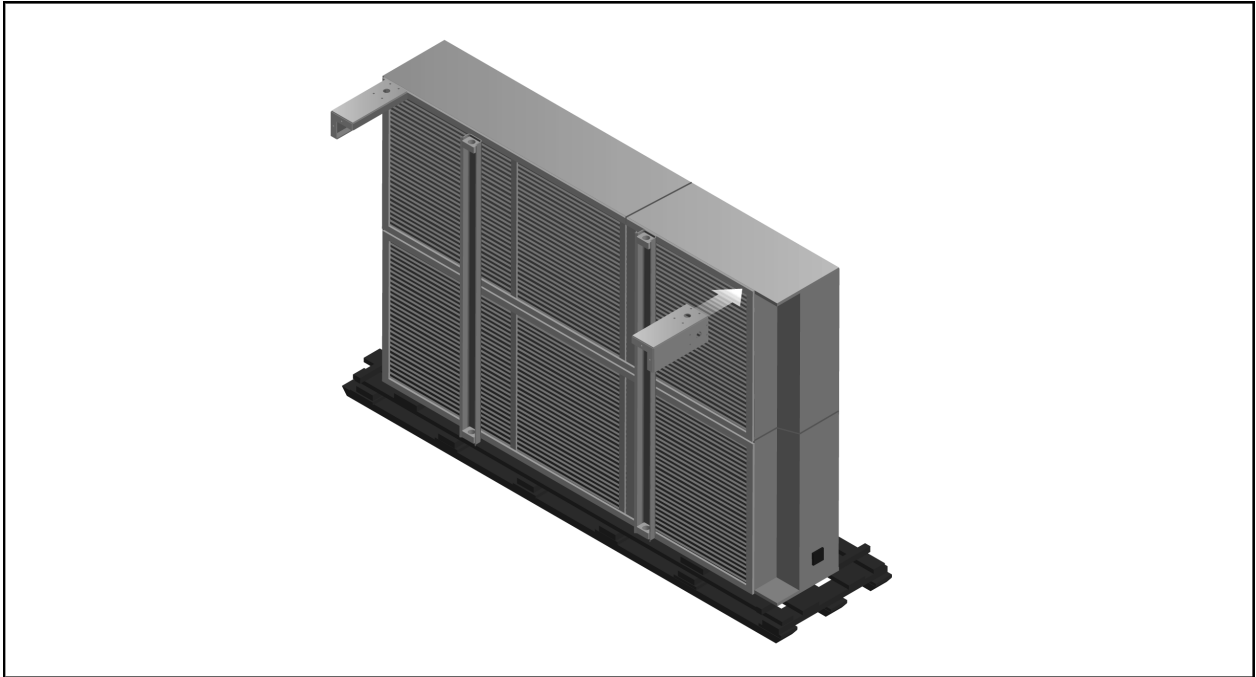


4.6 Preparing 6- and 8-Fan Condensers for Moving and Installation

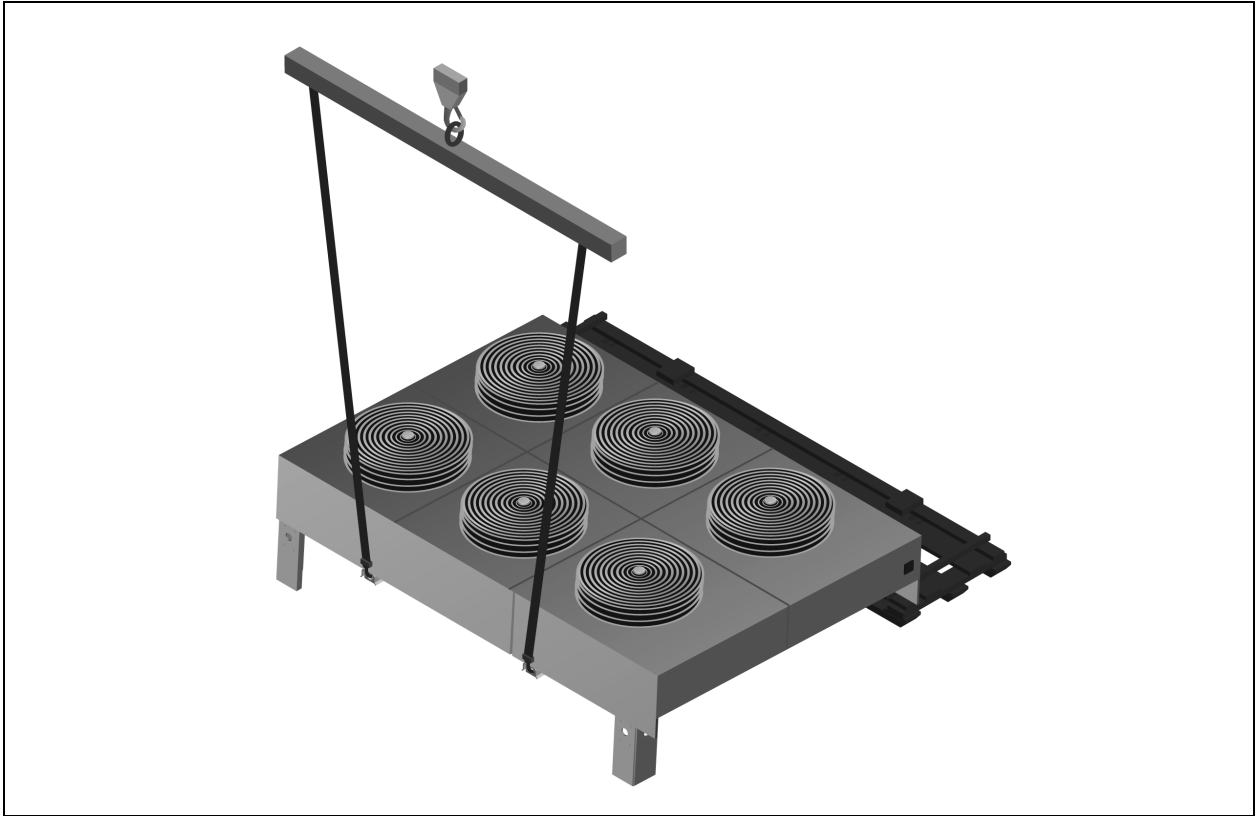
The following procedure is one recommended process for removing a unit from the shipping skid. Other methods may be used, provided that the methods are safe for personnel, the condenser and equipment.

1. Refer to **Figure 4.8** on the next page to attach the legs to the higher side of the unit:
 - Use 4 fasteners per leg. Fasteners are provided with the legs.
 - Recommended tools for attachment is a 5/8" socket and ratchet.
 - More legs may be required for installation than shown in **Figure 4.8** on the next page. Refer to the anchor plan corresponding to your unit's number of fans in **Figure 3.1** on page 12 through **Figure 3.3** on page 14.

Figure 4.8 Attach Legs to Higher Side of 6- or 8-Fan Condenser

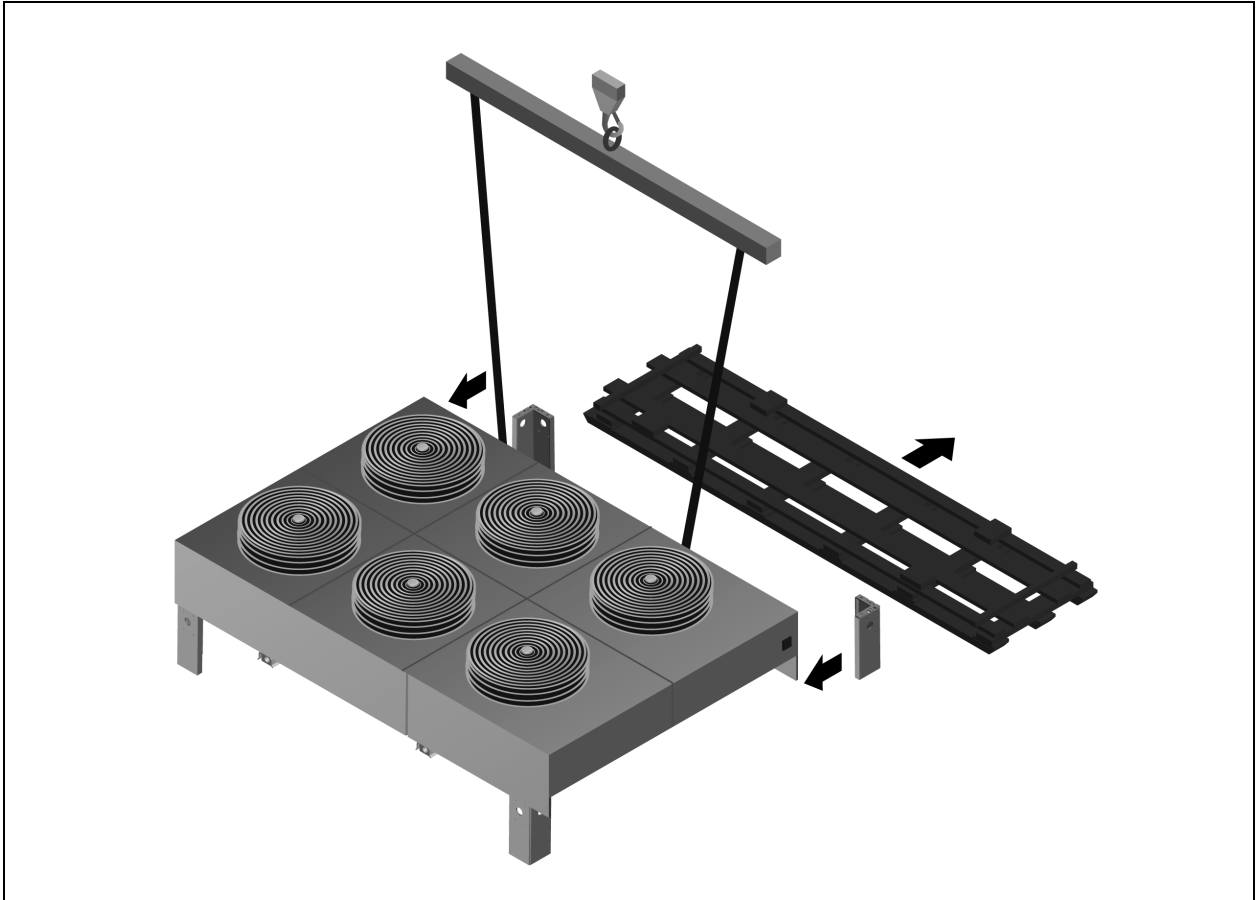


2. Attach slings or chains to the unit lift rails as shown in **Figure 4.9** on the facing page .
 - Mechanically lower the unit in order to rest on the attached legs.
 - Make sure not to damage the opposite side of the unit.

Figure 4.9 Use Sling to Lower Side with Legs Attached

3. Move the slings or chains to the lift rail side that is resting on the skid, **Figure 4.10** on the next page .
 - Mechanically lift the unit to a point where the side being lifted is just high enough to allow for safe attachment of the remaining unit legs.
 - Move the skid out the way and attach remaining legs.

Figure 4.10 Move Sling to Side Resting on Skid and Lift to Remove Skid/Install Legs



4. Set the upright unit on the ground so that the legs support the unit's weight.
5. Reposition and add straps and spreader bars to prepare the unit for lifting to installation location, **Figure 4.11** on the facing page .
 - Use the support channels located under the unit to attach straps or chains.
 - Spreader bars are still required. Make sure spreader bars are wider than the unit to keep the straps from pressing on the sides of the unit.

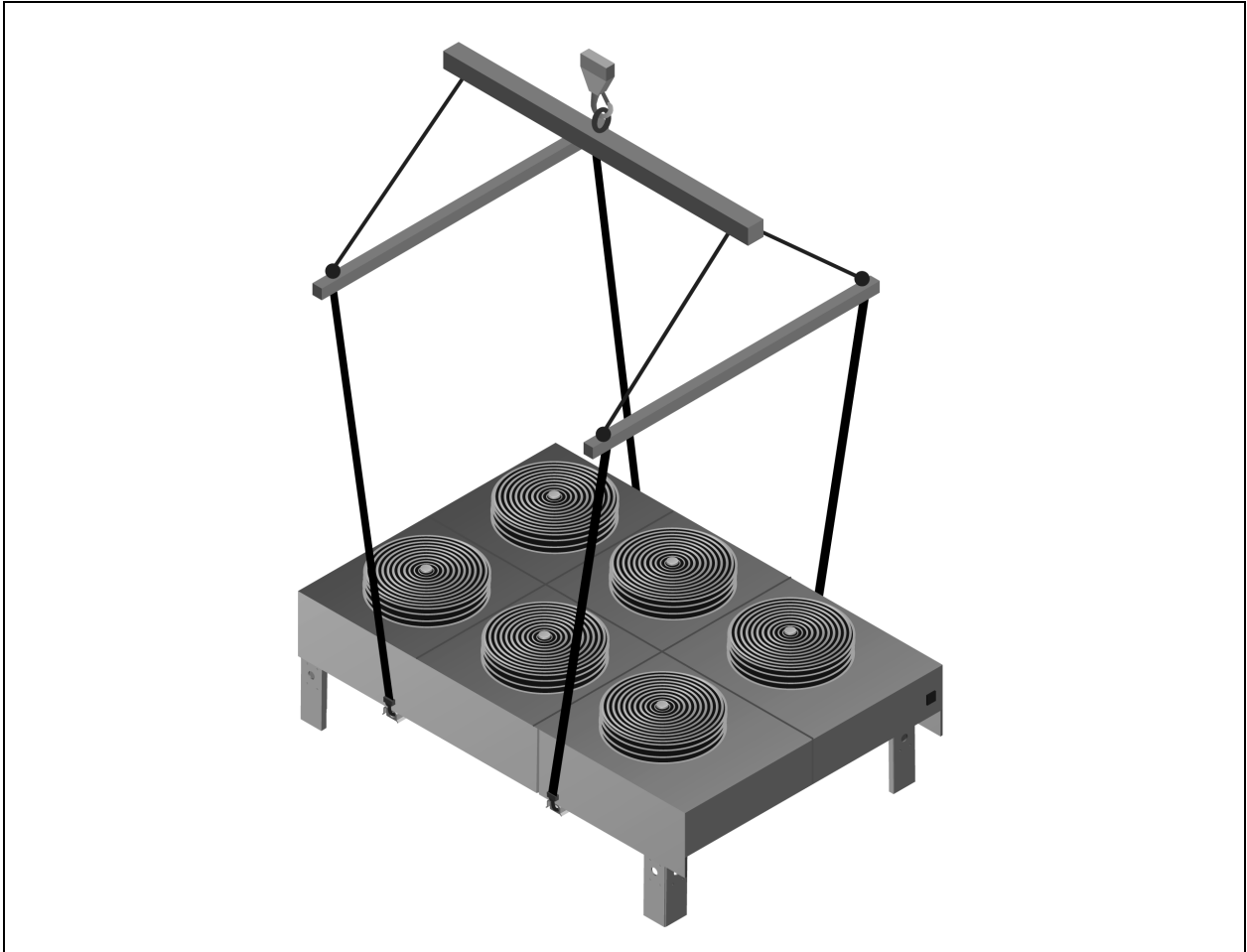
NOTICE

Risk of improper lifting. Can cause equipment damage.

Make sure that the spreader bars wider are than the unit. If the spreader bars are too short, the slings may crush the unit.

The unit is ready to be lifted and moved to its installation location.

Figure 4.11 Rigging 6- and 8-fan Condenser for Lifting



4.7 Mounting the Condenser

The condenser must be installed so that it is level within 1/2 in. (13 mm) to ensure proper refrigerant flow. For roof installation, mount the condenser on suitable curbs or other supports. Follow all local and national codes.

4.7.1 Standard Mounting Requirements

Secure the legs to the mounting surface using field-supplied 1/2-in.(13-mm) diameter Grade 5 bolts in each of the two 9/16-in. (14-mm) holes in each leg. See **Figure 3.1** on page 12 through **Figure 3.4** on page 15 for anchor dimensions.

This page intentionally left blank.

5 Piping



CAUTION: Risk of explosive discharge of high-pressure gas. Can cause injury.

Relieve system pressure and verify that the indoor and outdoor units are Off before making piping connections/disconnections.

Do not exceed the design pressure rating that is marked on the nameplate.

Do not install a shutoff valve between the compressor and the field-installed pressure relief valve.



WARNING! Risk of refrigerant system rupture or explosion from over-pressurization. Can cause equipment damage, injury or death.

Local building and plumbing codes may require that a fusible plug or other type of pressure relief device be installed in the system. Do not install a shutoff valve between the compressor and the field-installed relief device.

Consult local building and plumbing codes for installation requirements of additional pressure relief devices when isolation valves are field-installed as shown in [Typical System Configuration—Indoor Unit and Outdoor Condenser and Field Piping](#) on page 34 . Do not isolate any refrigerant circuits from over-pressurization protection.

NOTE: POE (polyolester) oil, required with R407C/R410A and used with some R22 systems, is much more hygroscopic than mineral oils. This means that POE oil absorbs water at a much faster rate when exposed to air than previously used mineral oils. Because water is the enemy of a reliable refrigeration system, extreme care must be used when opening systems during installation or service. If water is absorbed into the POE oil, it will not be easily removed and will not be removed through the normal evacuation process. If the oil is too wet, it may require an oil change. POE oils also have a property that makes them act as a solvent in a refrigeration system.

NOTICE

Risk of improper installation and system contamination. Can degrade system performance and damage components.

Maintaining system cleanliness is extremely important to properly complete installation and to maintain system warranty. Failure to maintain system cleanliness during piping installation will clog filter driers and adversely affect other system components such as compressors and expansion valves. Refer to [Piping Guidelines](#) on the next page for details.

5.1 Piping Guidelines

Indoor units and condensers both ship with an inert-gas holding charge. Do not vent the condenser until all refrigerant piping is in place, ready for connection to indoor unit and condenser.

- Use copper piping with a brazing alloy with a minimum temperature of 1350°F (732°C), such as Sil-Fos. Avoid soft solders such as 50/50 or 95/5.
- Use a flow of dry nitrogen through the piping during brazing to prevent formation of copper oxide scale inside the piping. When copper is heated in the presence of air, copper oxide forms. POE oil will dissolve these oxides from inside the copper pipes and deposit them throughout the system, clogging filter driers and affecting other system components.
- A pure dry nitrogen flow of 1-3 ft³/min (0.5-1.5 l/s) inside the pipe during brazing is sufficient to displace the air. Control the flow using a suitable metering device.
- Ensure that the tubing surfaces to be brazed are clean and that the ends of the tubes have been carefully reamed to remove any burrs.
- Ensure that all loose material has been cleaned from inside the tubing before brazing.
- Protect all refrigerant line components within 18" (460mm) of the brazing site by wrapping them with wet cloth or suitable heat sink compound.
- Isolate piping from building using vibration isolating supports.
- Refer to indoor unit user manual for appropriate piping sizes.
- Install traps on the hot gas (discharge) lines at the bottom of any rise over 5 feet high. If the rise exceeds 25 feet (7.5m), then install a trap in 20 foot (6m) increments or evenly divided.
- Pitch horizontal hot gas piping at a minimum rate of 1/2" per 10 ft. (42mm per 10m) so that gravity will aid in moving oil in the direction of refrigerant/oil flow.
- Consult factory if Vertiv™ Liebert® Lee-Temp condenser is below the evaporator or if Fan Speed/VFD Control Condenser is more than 15 ft (4.6m) below the evaporator.
- Consult factory if piping run exceeds 150 feet (46m) equivalent length.
- Keep piping clean and dry, especially on units with POE oil (R407C, R410A or R22 refrigerant).
- Avoid piping runs through noise-sensitive areas.
- Do not run piping directly in front of indoor unit discharge air stream
- Refrigerant oil – do not mix oil types or viscosities. Consult indoor unit for refrigerant type and oil requirements.
- Do not hang or suspend piping from the condenser-tube sheets protruding below the finned sections of the coil.

NOTE: Failure to use compressor oils recommended by compressor manufacturer will void compressor warranty. Consult Vertiv or the compressor manufacturer for further recommendations or if you have questions about compressor oils.

Refer to ASHRAE Refrigeration Handbook for general good practices for refrigeration piping.

The Liebert® indoor cooling unit has a factory-installed high-pressure safety switch in the high side refrigerant circuit. A pressure relief valve is provided with Liebert® Lee-Temp condensers. Consult local building codes to determine if the Fan Speed Control (FSC) and VFD condensers will require field provided pressure relief devices. A fusible plug kit for FSC and VFD condensers is available for field installation.

5.2 Condenser Positioning Guidelines

Table 5.1 Indoor Unit Maximum Distance from the Remote Condenser—Vertiv™ Liebert® Air-Cooled Fin/Tube Condenser with or without Vertiv™ Liebert® Lee-Temp

Parameter	Maximum Distances, ft. (m)	
From R-407C cooling unit to condenser	150 (45.7) equivalent length	
From R-410A cooling unit to condenser	300 (91.4) equivalent length	
VFD/FSC condenser relative to indoor unit	Above: 60 (18.3)	Below: 15 (4.5)
Liebert® Lee-Temp/ Liebert® Quiet-Line condenser relative to indoor unit	Above: 60 (18.3)	Below: 0 (0)

Figure 5.1 Condenser Positioning at the Same Level as Indoor Unit

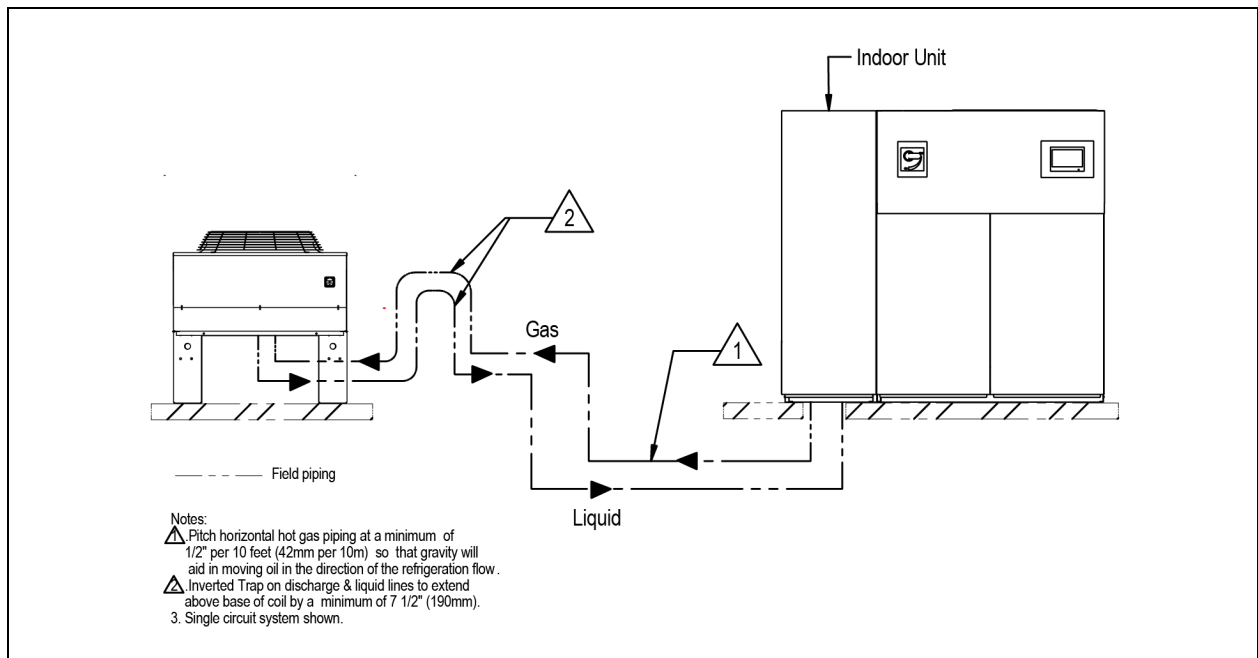
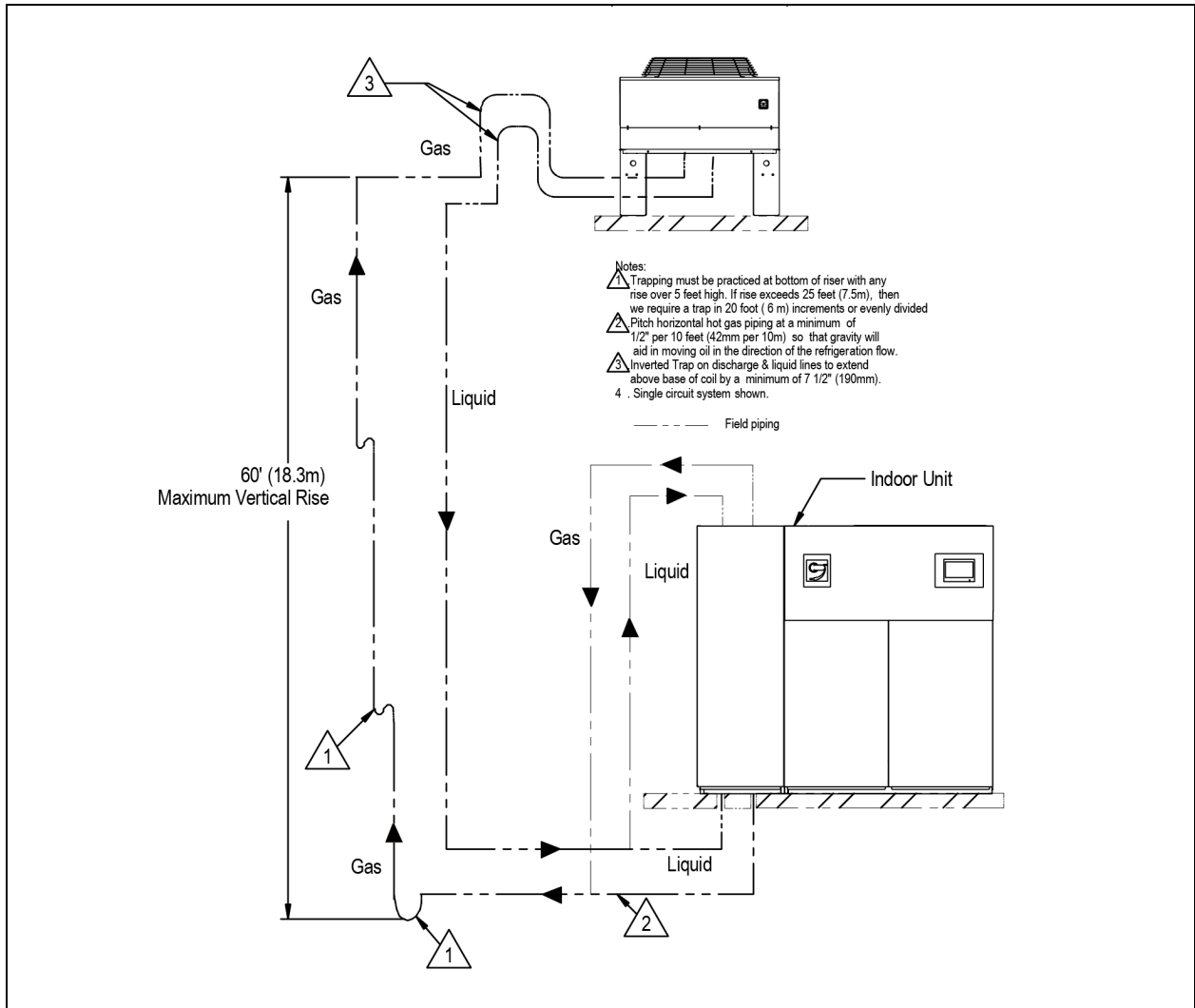
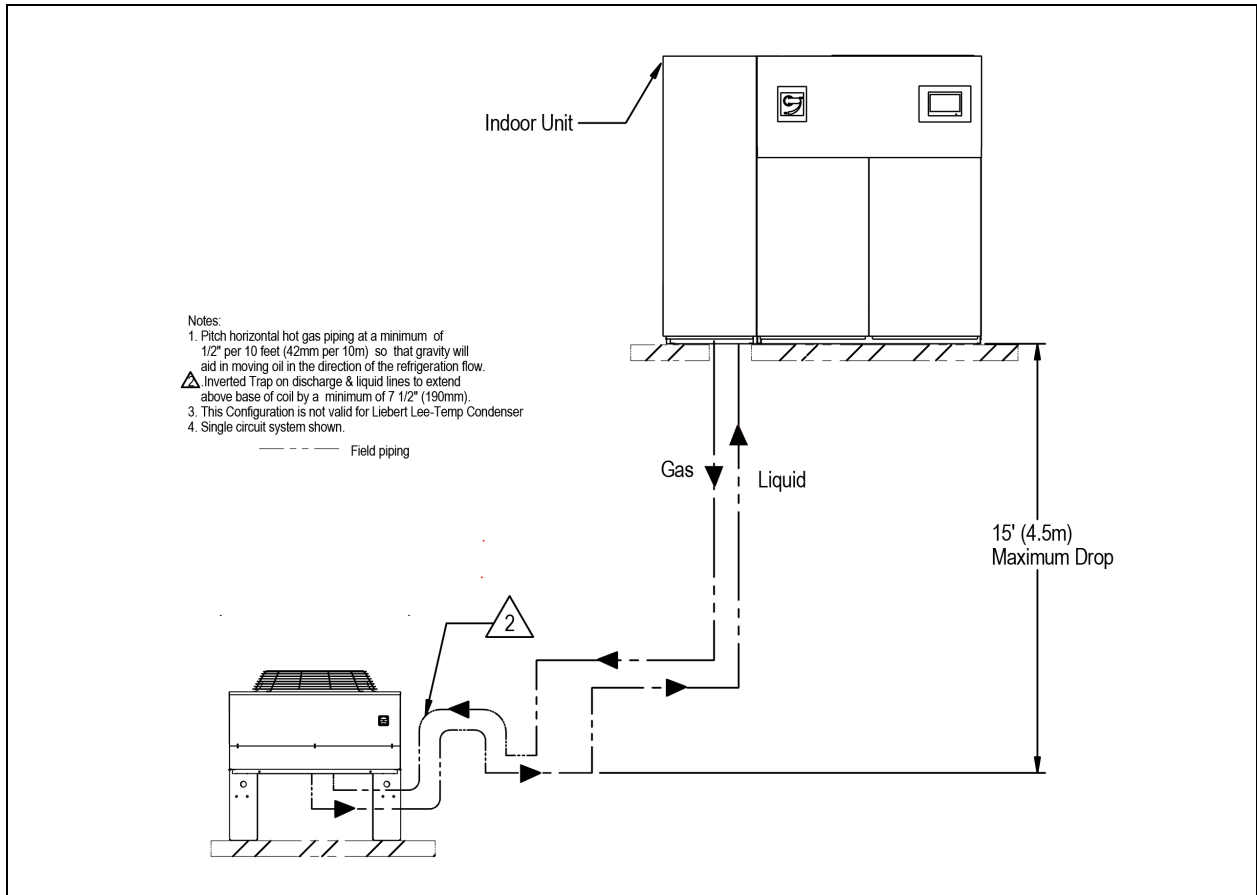


Figure 5.2 Condenser Positioning above the Indoor Unit



See **Table 5.1** on the previous page for maximum distances between, above, and below units.

Figure 5.3 Condenser Positioning below Indoor Unit



See **Table 5.1** on page 31 for maximum distances between, above, and below units.

5.3 Field Piping Requirements

One discharge line and one liquid line must be field-installed for each circuit of the indoor unit and the outdoor condenser(s). Dual circuit condensers are available for most dual circuit indoor unit applications. Refer to **Figure 5.4** on the next page through **Figure 5.10** on page 41

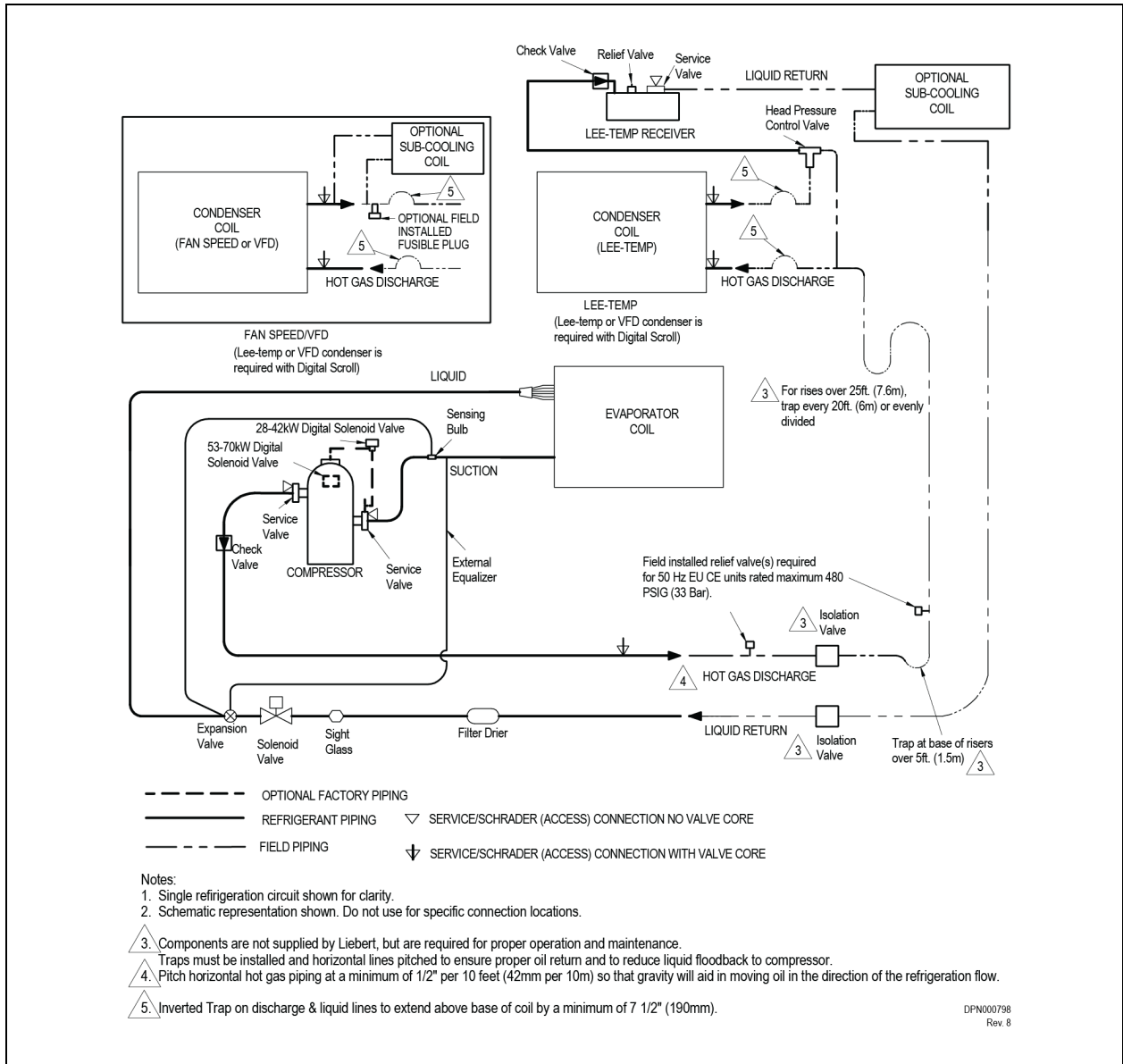
or additional field-installed piping needed at the condenser. This piping is needed for proper system performance and for installation/interconnecting receivers and head pressure control valves for Liebert® Lee-Temp systems.

NOTE: Keep the evaporator unit and condenser closed with their factory charge of an inert gas while all field piping is installed. Keep the field piping clean and dry during installation, and do not allow it to stand open to the atmosphere.

When all the field interconnecting piping is in place, vent the condenser's an inert gas charge and connect to the field piping. Finally, vent the evaporator unit's inert-gas charge and make its piping connections last.

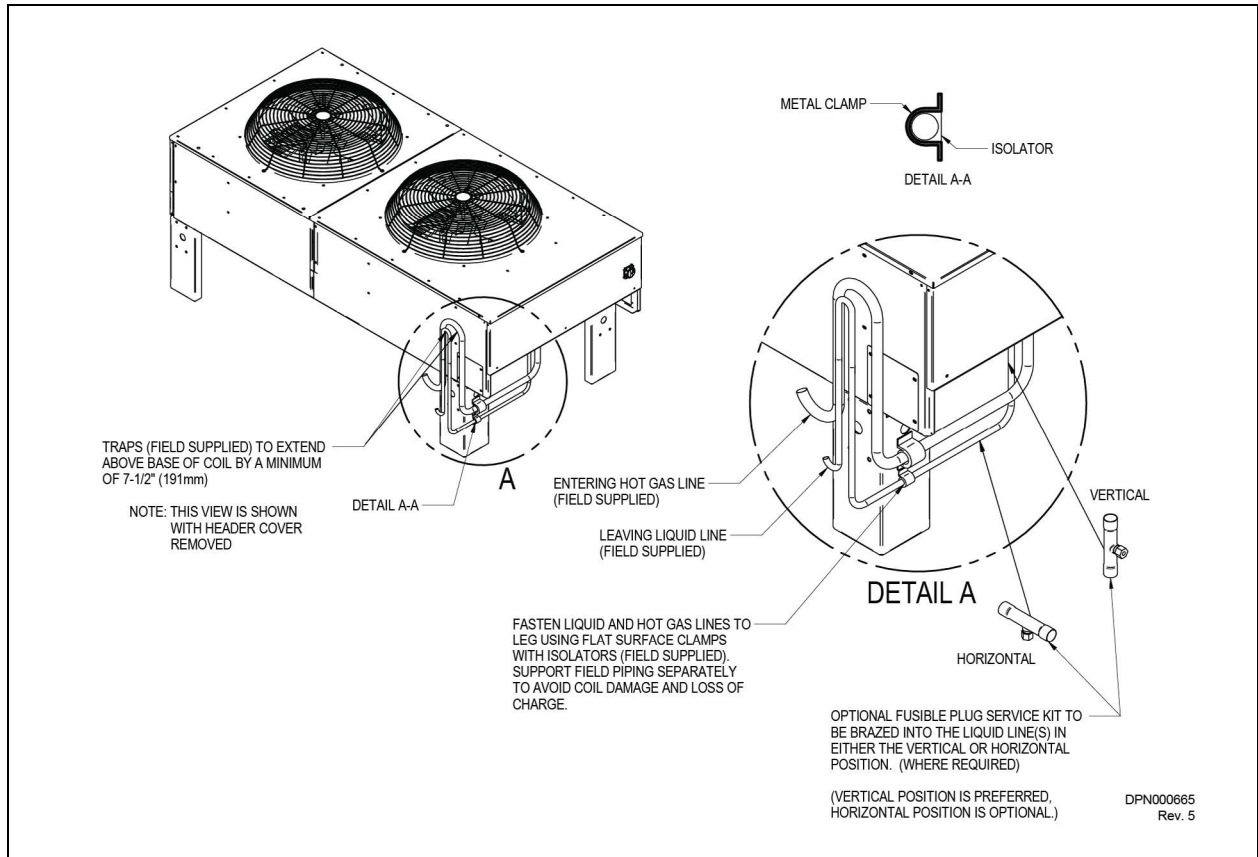
Follow all proper brazing practices, including a dry nitrogen purge to maintain system cleanliness. Refer to [Piping Guidelines](#) on page 30 .

Figure 5.4 Typical System Configuration—Indoor Unit and Outdoor Condenser and Field Piping



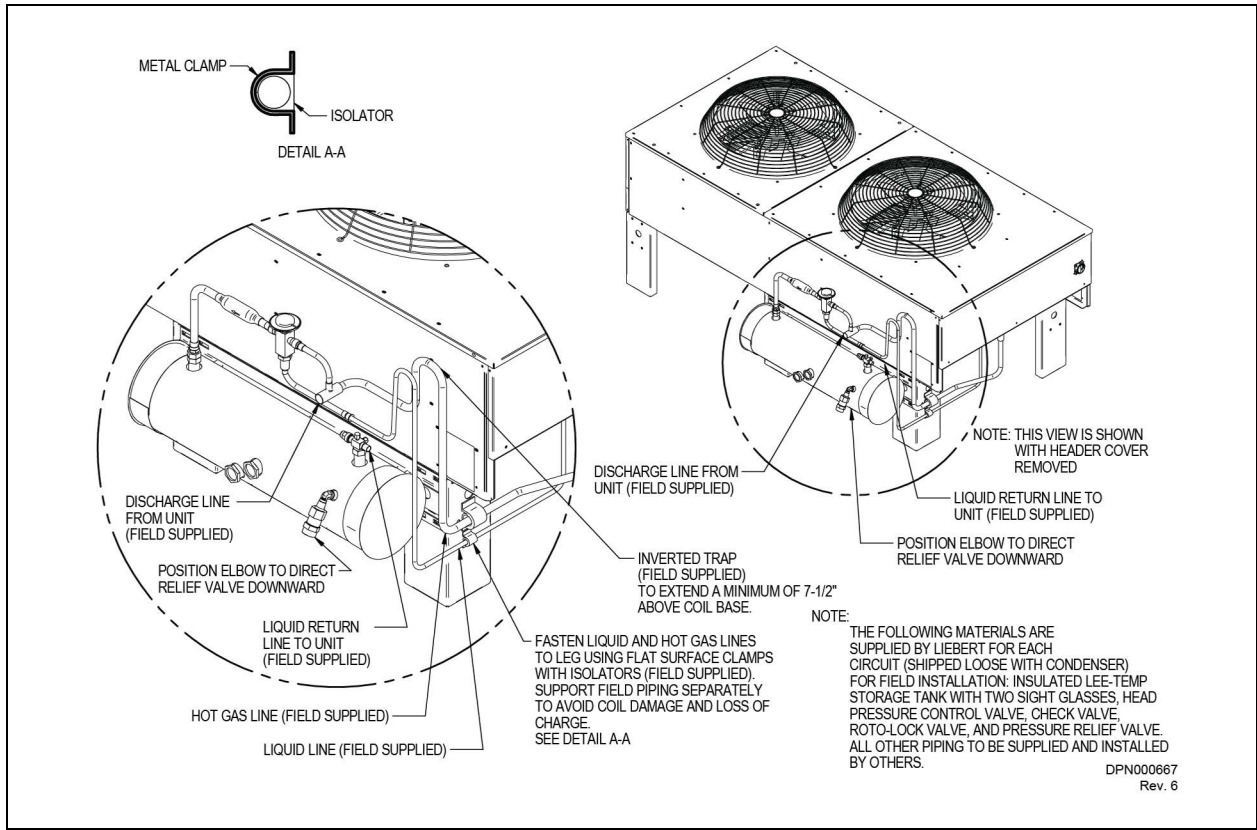
5.4 Piping Connections

Figure 5.5 Single Circuit Piping, VFD and Fan Speed Control, 1-4 Fan Condensers



Condenser Piping Connection Sizes, CU. OD.		
Model Number	Entering Hot Gas Line, in.	Returning Liquid Line, in.
TCSV28K	1-1/8	7/8
TCSV60K		
DCSF083, TCSV083	7/8	5/8
TCSV90K	1-1/8	7/8
DSCF104, TCSV104		5/8
DCSF165, TCSV165		7/8
DCSF205, TCSV205		
DCSF251, TCSV251		
DCSF308, TCSV308	1-5/8	1-1/8
DCSF415	1-3/8	
DCSF510	2-1/8	1-5/8

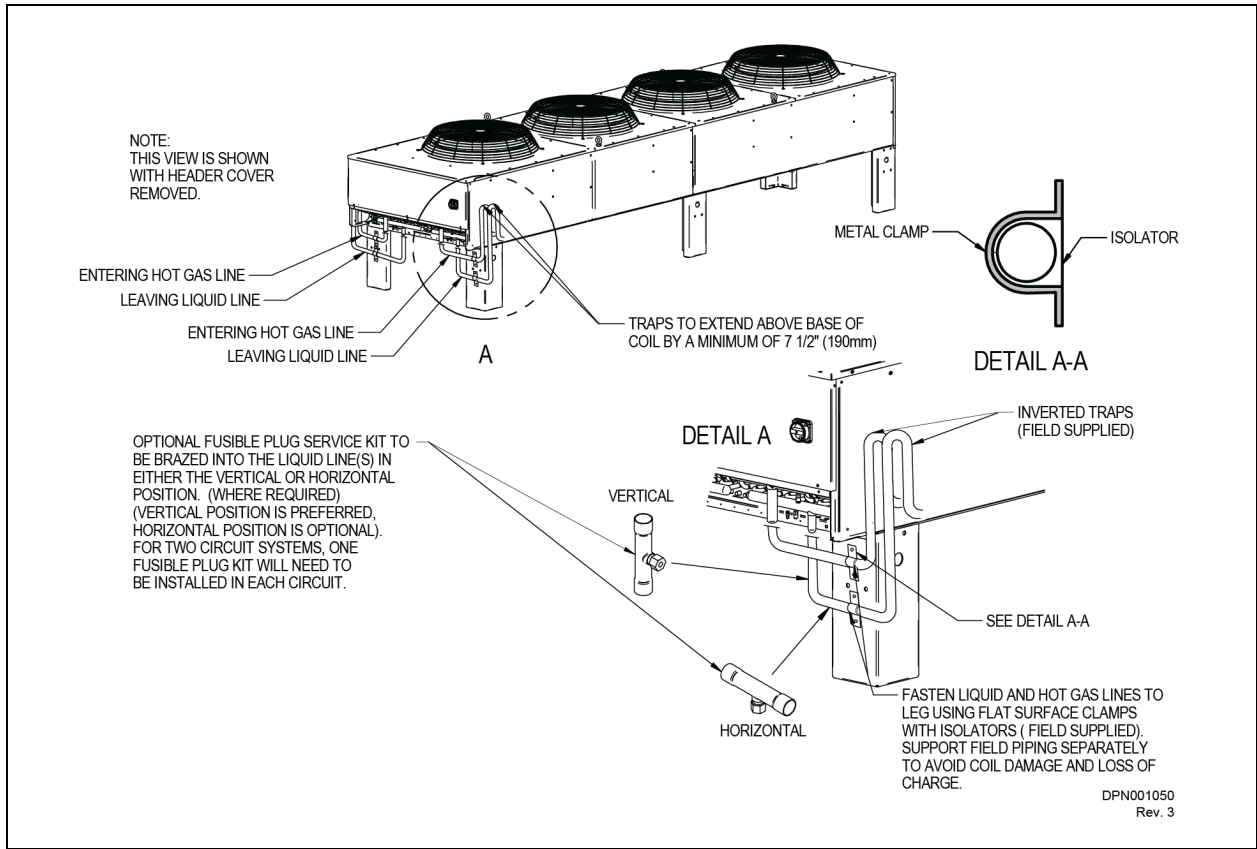
Figure 5.6 Single Circuit Piping, Vertiv™ Liebert® Lee-Temp and Vertiv™ Liebert® Quiet-Line 1-4 Fan Condensers



Condenser Piping Connection Sizes							
Model Number	Condenser Type	Condenser Connections ODS		Lee-Temp Receiver	Lee-Temp Connections IDS		
		Hot-gas Line, in.	Liquid Line, in.		Hot Gas Tee, in.	Liq to L-T Valve, in.	Receiver Out, in.
DCSL28K	Standard	1-1/8	7/8	195315P1	1-1/8	5/8	7/8
DCSL60K				195316P1			
DCSL083		7/8	5/8	1C19982P1	1-1/8	7/8	5/8
DCSL90K		1-1/8	7/8	196702P1			
DCSL104			5/8	1C19982P1			
DCSL165		7/8	7/8	W-0050	1-3/8	1-1/8	7/8
DCSL205							
DCSL251		1-5/8	1-1/8	185011P1	1-3/8	1-1/8	7/8
DCSL308							
DCSL415							

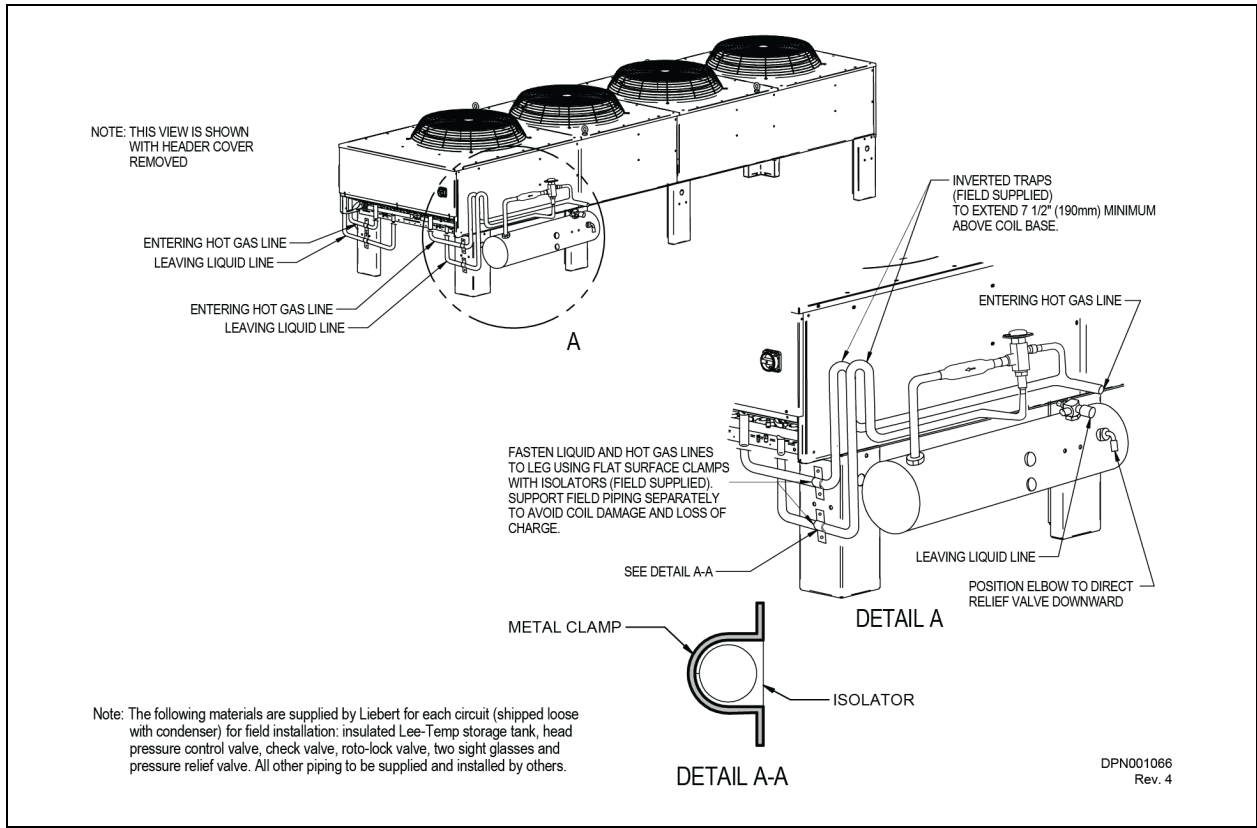
Condenser Piping Connection Sizes							
Model Number	Condenser Type	Condenser Connections ODS		Lee-Temp Receiver	Lee-Temp Connections IDS		
		Hot-gas Line, in.	Liquid Line, in.		Hot Gas Tee, in.	Liq to L-T Valve, in.	Receiver Out, in.
DCSL063	Quiet-Line	1-1/8	5/8	1C19982P1	1-1/8	7/8	5/8
DCST119			7/8	W-0050	1-3/8	1-1/8	7/8
DCSL127		W-0060					
DCSL143			1-5/8	1-1/8	W-0410		
DCST214		2-1/8					
DCST286							

Figure 5.7 Dual Circuit Piping, VFD and Fan Speed Control, 1-4 Fan Condensers



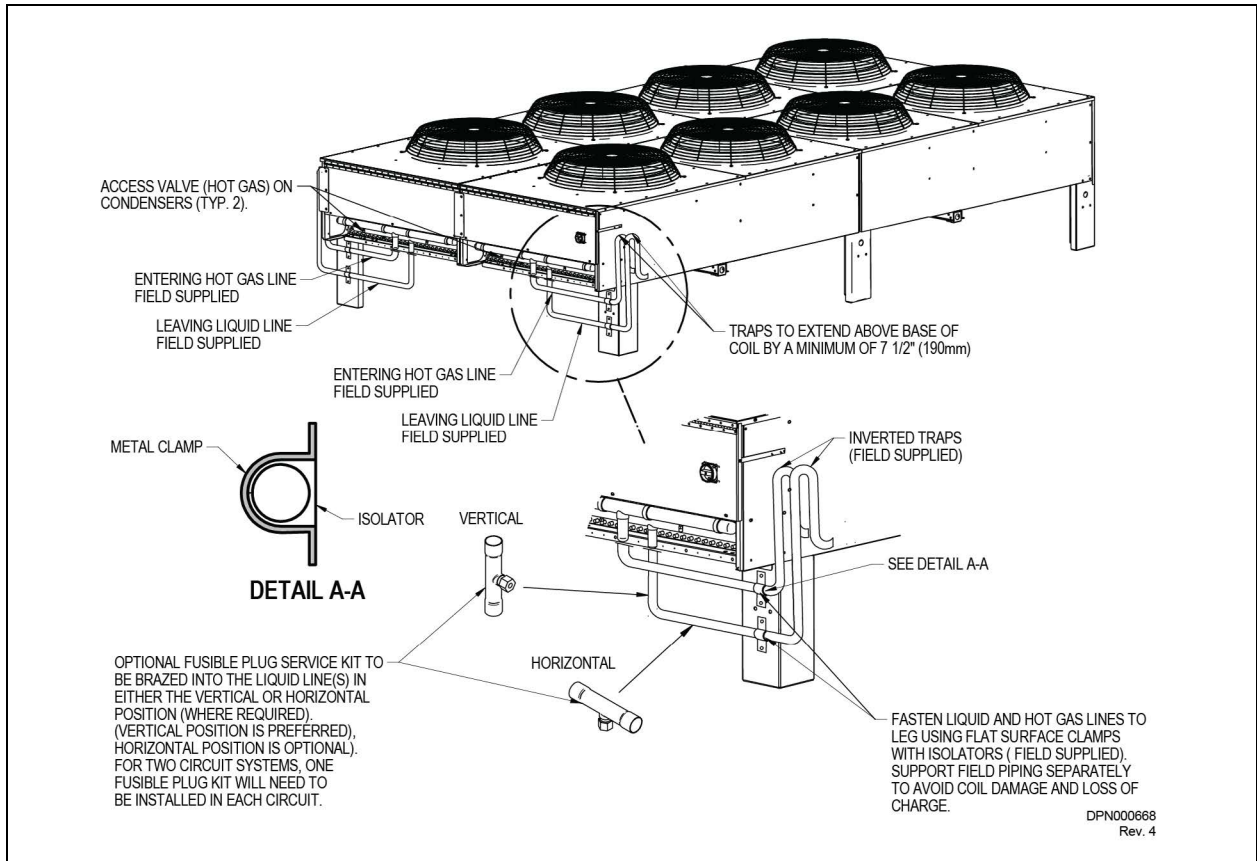
Condenser Piping Connection Sizes, CU. OD. (2 per unit)		
Model Number	Entering Hot Gas Line, in.	Returning Liquid Line, in.
DCDF104	7/8	1/2
DCDF165, TCDF165		5/8
DCDF205, TCDV205	1-1/8	7/8
DCD251, TCDV251		
DCDF308, TCDV308	1-3/8	1-1/8
DCDF415, TCDV415		
DCDF510, TCDV510		

Figure 5.8 Dual-circuit Piping, Vertiv™ Liebert® Lee-Temp and Vertiv™ Liebert® Quiet-Line 1-4 Fan Condensers



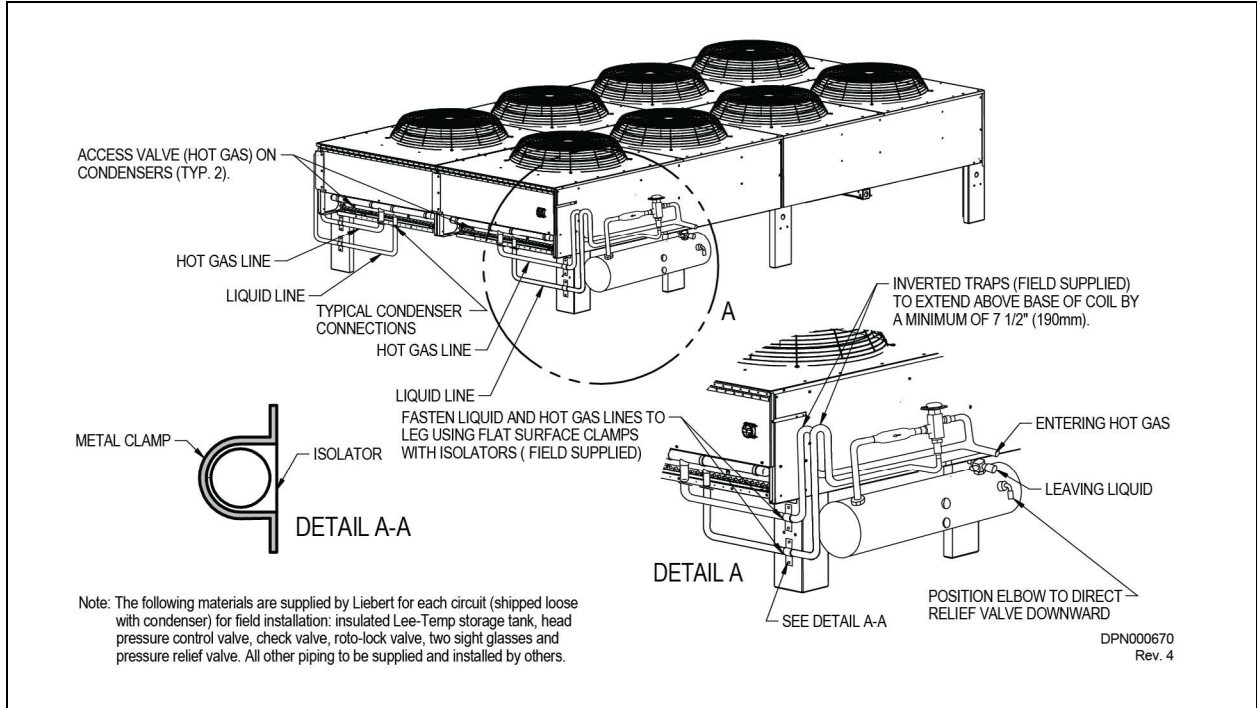
Model Number	Condenser Type	Condenser Connections ODS (2 per unit)		Lee-Temp Receiver	Lee-Temp Connections IDS (2 per unit)		
		Hot Gas Line, in.	Liquid Line, in.		Hot Gas Tee, in.	Liq to L-T Valve, in.	Receiver Out, in.
DCDL104	Standard	7/8	1/2	(2) 1C19982P1	1-1/8	7/8	5/8
DCDL165			5/8				
DCDL205		1-1/8	7/8	(2) W-0050	1-3/8	1-1/8	7/8
DCDL251				(2) 1C19982P1	1-1/8	7/8	5/8
DCDL308				(2) W-0050	1-3/8	1-1/8	7/8
DCDL415		(2) W-0060					
DCDL510		(2) W-0410					
DCDL119	Quiet-Line	7/8	5/8	(2) 1C19982P1	1-1/8	7/8	5/8
DCDL127		1-1/8	7/8	(2) W-0050	1-3/8	1-1/8	7/8
DCDL143							
DCDT214							
DCDL286							

Figure 5.9 Dual Circuit Piping, Fan Speed Control, 6 and 8 Fan Condensers



Model Number	Number of Fans	Connection Sizes, ODS (2 per unit)	
		Entering Hot Gas Line, in.	Returning Liquid Line, in.
DCDF616	6	1-5/8	1-1/8
DCDF830	8	1-3/8	
DCDF1010		2-1/8	1-5/8

Figure 5.10 Dual Circuit Piping, Vertiv™ Liebert® Lee-Temp and Vertiv™ Liebert® Quiet-Line 6 and 8 Fan Condensers



Model Number	Condenser Type	Fan Qty.	Condenser Connections ODS (2 per unit)		Lee-Temp Receiver	Lee-Temp Connections IDS (2 per unit)		
			Hot Gas Line, in.	Liquid Line, in.		Hot Gas Tee, in.	Liq to L-T Valve, in.	Receiver Out, in.
DCDL616	Standard	6	1-5/8	1-1/8	(2) W-0060	1-3/8	1-1/8	7/8
DCDL830		8	1-3/8		(2) 185011P1			
DCDT409	Quiet-Line	6	1-5/8		(2) W-0410			
DCDT572		8	2-1/8					

5.5 Refrigerant Planning Values

Planning for the refrigerant requirements of the completed system is the addition of the charges from Indoor Unit, Condenser (including Vertiv™ Liebert® Lee-Temp receiver, if used) and the interconnecting piping. **Table 5.2** on the next page and **Table 5.5** on page 43 provide the approximate charge required for the condensers and the interconnecting piping. Consult indoor unit manuals for indoor unit charge requirements.

These values can be used for obtaining adequate refrigerant for the system, but should not be used for final charging. Consult indoor unit manual for charging procedures.

Table 5.2 R-22 and R-407C Refrigerant Required, Approximate

Standard Condenser Models	Approximate R-22 Refrigerant Needed				Approximate R-407C Refrigerant Needed			
	Single Circuit lb. (kg)		Dual Circuit lb./circuit (kg/circuit)		Single Circuit lb. (kg)		Dual Circuit lb./circuit (kg/circuit)	
	FSC or VFD	Lee-Temp (includes receiver)	FSC or VFD	Lee-Temp (includes receiver)	FSC or VFD	Lee-Temp (includes receiver)	FSC or VFD	Lee-Temp (includes receiver)
083	5 (2.3)	27 (12.3)	3 (1.4)	N/A	5 (2.3)	26 (11.8)	3 (1.4)	N/A
104	8 (3.6)	39 (17.7)	7 (3.2)	21 (9.5)	8 (3.6)	37 (16.8)	7 (3.2)	20 (9.0)
165	15 (6.8)	53 (24.0)	5 (2.3)	27 (12.3)	15 (6.8)	50 (22.7)	5 (2.3)	26 (11.8)
205	20 (9.1)	76 (34.5)	7 (3.2)	56 (25.3)	19 (8.6)	72 (32.7)	7 (3.2)	54 (24.4)
251	19 (8.6)	75 (34.0)	10 (4.6)	38 (17.2)	18 (8.2)	71 (32.2)	10 (4.6)	36 (16.3)
308	29 (13.2)	113 (51.3)	11 (5.0)	58 (26.3)	28 (12.7)	107 (48.5)	11 (5.0)	55 (24.9)
415	54 (24.5)	210 (95.0)	25 (11.3)	107 (48.4)	51 (23.1)	200 (90.8)	24 (10.9)	102 (46.2)
510	72 (32.7)	N/A	30 (13.6)	149 (67.6)	68 (30.8)	N/A	29 (13.2)	142 (64.4)
616	N/A	N/A	27 (12.3)	113 (51.3)	N/A	See Table 5.3 below	26 (11.8)	108 (49.0)
830	N/A	N/A	53 (24)	210 (95.1)	N/A	N/A	51 (23.1)	200 (90.8)
1010	N/A	N/A	60 (27.2)	N/A	N/A	N/A	57 (25.9)	N/A
Liebert® Quiet-Line Condenser Models								
063	N/A	39 (17.7)	N/A	N/A	N/A	37 (16.8)	N/A	N/A
119	N/A	50 (22.7)	N/A	27 (12.3)	N/A	48 (21.8)	N/A	26 (11.8)
127	N/A	76 (34.5)	N/A	38 (17.2)	N/A	72 (32.6)	N/A	36 (16.3)
143	N/A	126 (57.2)	N/A	64 (29.0)	N/A	120 (54.5)	N/A	61 (27.7)
214	N/A	161 (73.0)	N/A	81 (36.7)	N/A	153 (69.4)	N/A	77 (34.9)
286	N/A	196 (88.9)	N/A	125 (56.7)	N/A	186 (84.4)	N/A	119 (54.0)
409	N/A	N/A	N/A	152 (68.9)	N/A	N/A	N/A	148 (67.2)
572	N/A	N/A	N/A	196 (88.9)	N/A	N/A	N/A	186 (84.4)

Table 5.3 R-407C Refrigerant Required for DCSL616 Condensers for Vertiv™ Liebert® XDC, Approximate

Model #	Liebert® Lee-Temp Receiver	Receiver Tank Length, in. (mm)	Refrigerant Per Circuit (inc. receiver), lb. (kg)
DCSL616	W-0410	48 (1219)	164 (75)
	179701P1	96 (2438)	254 (115.2)

Table 5.4 R-410A Refrigerant Required, Approximate

Single Circuit Model	VFD lb. (kg)	Liebert® Lee-Temp (inc. receiver) lb. (kg)
28K	7 (3.2)	41 (18.6)
60K	16 (7.3)	75 (34.0)
90K	25 (11.3)	109 (49.4)

Table 5.5 Interconnecting Piping Refrigerant Charge

Line Size, O.D., in.	R-407C (R-22), lb/100 ft. (kg/30m)		R-410A, lb/100 ft. (kg/30m)	
	Hot Gas Line	Liquid Line	Hot Gas Line	Liquid Line
3/8	—	3.6 (1.6)	—	3.2 (1.4)
1/2	0.5 (0.2)	6.7 (3.0)	0.7 (0.3)	5.9 (2.7)
5/8	0.8 (0.4)	10.8 (4.8)	1.1 (0.5)	9.6 (4.3)
3/4	1.2 (0.5)	16.1 (7.2)	1.6 (0.7)	14.3 (6.4)
7/8	1.7 (0.8)	22.3 (10.0)	2.3 (1.0)	19.8 (8.8)
1-1/8	2.9 (1.3)	38.0 (17.0)	3.9 (1.7)	33.8 (15.1)
1-3/8	4.4 (2.0)	57.9 (25.9)	5.9 (2.6)	51.5 (23.0)
1-5/8	6.2 (2.8)	—	8.4 (3.7)	—

Data based on 50°F Evap, 15°F superheat, 125°F SCT, 10°F subcooling.
Per DPN003099 Rev. 0

5.5.1 Refrigerant Oil Addition Procedures

Consult the indoor unit's user or installation manual to determine whether additional oil is required for each circuit. Factors such as compressor, condenser type, piping lengths and total circuit refrigerant charge influence this requirement.

5.5.2 System Dehydration/Leak Test and Charging Procedures

Procedures for leak check and evacuation of the entire refrigeration system are contained in the indoor unit's user or installation manual. Use the proper manual section corresponding to the winter control system used on the condenser (VFD/Fan Speed Control or Vertiv™ Liebert® Lee-Temp Control) and the refrigerant to be charged into the system.

This page intentionally left blank.

6 Electrical Connections

6.1 Electrical Supply Preparation

Electrical service is required for all models. Refer to equipment nameplate regarding wire size and circuit protection requirements. Electrical service must conform to national and local electrical codes. Refer to **Figure 6.3** on page 56, **Figure 6.4** on page 57, and **Figure 6.5** on page 58.

Each unit is shipped from the factory with all internal unit wiring completed.

A manual, electrical disconnect switch should be installed in accordance with local codes. Consult local codes for external disconnect requirements.



WARNING! Arc flash and electric shock hazard. Open all local and remote electric power disconnect switches, verify with a voltmeter that power is Off and wear personal protective equipment per NFPA 70E before working within the electric control enclosure. Failure to comply can cause serious injury or death.

Customer must provide earth ground to unit, per NEC, CEC and local codes, as applicable.

Before proceeding with installation, read all instructions, verify that all the parts are included and check the nameplate to be sure the voltage matches available utility power.

The factory-supplied disconnect switch is inside the electric control enclosure. The line side of this switch contains live high-voltage.

The only way to ensure that there is NO voltage inside the unit is to install and open a remote disconnect switch. Refer to unit electrical schematic.

Follow all local codes.



WARNING! Risk of contact with high-speed, rotating fan blades. Can cause serious injury or death.

Fan blades can automatically start rotating without warning at any time during a cooling cycle or after power is restored after a power failure. Open all local and remote electric power supply disconnect switches, wait 10 minutes and verify with a voltmeter that power is Off before working within the unit cabinet, removing the fan guards or servicing the fan speed control, fan blades or fan motors.

NOTE: Installation and service of this equipment should be performed only by properly trained and qualified personnel who have been specially-trained in the installation of air-conditioning equipment.

NOTE: Use copper wiring only. Make sure that all connections are tight.

Each unit is shipped from the factory with all internal unit wiring completed. Refer to the electrical schematic supplied with the condenser when making line voltage supply, low voltage indoor unit interlock and any low voltage alarm connections. All wiring must be done in accordance with all applicable local, state and national electrical codes.

Table 6.1 60 Hz Condenser Data, 083, 104, 28K, 165, 205, and 60K

Model #		083, 104, 28K			165, 205, 60K		
# of Fans		1			2		
Input Voltage	ph	FLA	WSA	OPD	FLA	WSA	OPD
Fan Speed Controlled							
208/230	1	4.8	6.0	15	—	—	—
460		2.5	3.1	15	—	—	—
575		1.9	2.4	15	—	—	—
208/230	3	—	—	—	8.3	9.5	15
460		—	—	—	4.2	4.8	15
575		—	—	—	3.3	3.8	15
VFD Controlled¹							
208/230	3	3.7	4.6	15	7.2	8.1	15
460		1.8	2.3	15	3.5	4.0	15
Liebert® Lee-Temp Controlled/Fan-Cycling							
208/230	3	3.5	4.4	15	7.0	7.9	15
460		1.7	2.1	15	3.4	3.8	15
575		1.4	1.8	15	2.8	3.2	15
FLA = Full Load Amps; WSA = Wire Size Amps; OPD = Maximum Overcurrent Protection Device							
¹ When Low-Ambient VFD Heater Kit is installed, increase condenser WSA by 1.0 A for 208 V, 1.1 A for 230 V and 0.5 A for 460 V.							

Table 6.2 60 Hz Condenser Data 251, 308, 90K, 415, and 510

Model #		251, 308, 90K			415, 510		
# of Fans		3			4		
Input Voltage	ph	FLA	WSA	OPD	FLA	WSA	OPD
Fan Speed Controlled							
208/230	1	—	—	—	—	—	—
460		—	—	—	—	—	—
575		—	—	—	—	—	—
208/230	3	11.8	13.0	15	15.3	16.5	20
460		5.9	6.5	15	7.6	8.2	15
575		4.7	5.2	15	6.1	6.6	15
VFD Controlled¹							
208/230	3	10.7	11.6	15	14.2	15.1	20
460		5.2	5.7	15	6.9	7.4	15
Liebert® Lee-Temp Controlled/Fan Cycling							
208/230	3	10.5	11.4	15	14.0	14.9	20
460		5.1	5.5	15	6.8	7.2	15
575		4.2	4.6	15	5.6	6.0	15
FLA = Full Load Amps; WSA = Wire Size Amps; OPD = Maximum Overcurrent Protection Device							
¹ When Low-Ambient VFD Heater Kit is installed, increase condenser WSA by 1.0 A for 208 V, 1.1 A for 230 V and 0.5 A for 460 V.							

Table 6.3 60 Hz Condenser Data, 616, 830, and 1010

Model #		616			830, 1010		
# of Fans		6			8		
Input Voltage	ph	FLA	WSA	OPD	FLA	WSA	OPD
Fan Speed Controlled							
208/230	1	—	—	—	—	—	—
460		—	—	—	—	—	—
575		—	—	—	—	—	—
208/230	3	23.6	24.8	30	30.6	31.8	40
460		11.8	12.4	15	15.2	15.8	20
575		9.4	9.9	15	12.2	12.7	15
VFD Controlled¹							
208/230	3	N/A	N/A	N/A	N/A	N/A	N/A
460		N/A	N/A	N/A	N/A	N/A	N/A
Liebert® Lee-Temp Controlled/Fan Cycling							
208/230	3	21.0	21.9	25	28.0	28.9	35
460		10.2	10.6	15	13.6	14.0	20
575		8.4	8.8	15	11.2	11.6	15
FLA = Full Load Amps; WSA = Wire Size Amps; OPD = Maximum Overcurrent Protection Device							
¹ When Low-Ambient VFD Heater Kit is installed, increase condenser WSA by 1.0 A for 208 V, 1.1 A for 230 V and 0.5 A for 46							

Table 6.4 60 Hz Condenser Data, Vertiv™ Liebert® Quiet-Line (Vertiv™ Liebert® Lee-Temp Controlled/Fan-cycling), 063, 119, 127, and 143

Model #		063			119, 127, 143		
# of Fans		1			2		
Input Voltage	ph	FLA	WSA	OPD	FLA	WSA	OPD
208/230	3	1.8	2.3	15	3.6	4.1	15
460		0.9	1.1	15	1.8	2.0	15
575		0.7	0.9	15	1.4	1.6	15

FLA = Full Load Amps; WSA = Wire Size Amps; OPD = Maximum Overcurrent Protection Device

Table 6.5 60 Hz Condenser Data, Vertiv™ Liebert® Quiet-Line (Vertiv™ Liebert® Lee-Temp Controlled/Fan-cycling), 214 and 286

Model #		214			286		
# of Fans		3			4		
Input Voltage	ph	FLA	WSA	OPD	FLA	WSA	OPD
208/230	3	5.4	5.9	15	7.2	7.7	15
460		2.7	2.9	15	3.6	3.8	15
575		2.1	2.3	15	2.8	3.0	15

FLA = Full Load Amps; WSA = Wire Size Amps; OPD = Maximum Overcurrent Protection Device

Table 6.6 60 Hz Condenser Data, Vertiv™ Liebert® Quiet-Line (Vertiv™ Liebert® Lee-Temp Controlled/Fan-cycling), 409 and 572

Model #		409			572		
# of Fans		6			8		
Input Voltage	ph	FLA	WSA	OPD	FLA	WSA	OPD
208/230	3	10.8	11.3	15	14.4	14.9	15
460		5.4	5.6	15	7.2	7.4	15
575		4.2	4.4	15	5.6	5.8	15

FLA = Full Load Amps; WSA = Wire Size Amps; OPD = Maximum Overcurrent Protection Device

Table 6.7 50Hz Condenser Full Load Amp Values

Condenser Control Type		Fan Speed Controlled		VFD Controlled		Liebert® Lee-Temp Controlled/Fan-Cycling		Liebert® Quiet-Line (Liebert® Lee Temp Controlled/Fan-Cycling)		
Model #	# of Fans	Input Voltage - Phase		Input Voltage - Phase		Input Voltage - Phase		Model #	Input Voltage - Phase	
		200/220-1	380/415-3	200/230-3	380/415-3	200/230-3	380/415-3		200/230-3	380/415-3
083,104	1	4.0	-	3.7	1.8	3.5	1.7	063	1.8	0.9
165,205	2	—	3.7	7.2	3.5	7.0	3.4	119, 127, 143	3.6	1.8
251,308	3	—	5.4	10.7	5.2	10.5	5.1	214	5.4	2.7
415,510	4	—	7.1	14.2	6.9	14.0	6.8	286	7.2	3.6
616	6	—	10.8	—	—	21.0	10.2	409	10.8	5.4
830,1010	8	—	14.2	—	—	28.0	13.6	572	14.4	7.2

Table 6.8 Liebert® Lee-Temp Receiver Electrical Data, 50Hz and 60Hz

Rated Voltage - Single Phase	120			200/208/230		
Watts/Receiver	150	300	450	150	300	450
Full Load Amps	1.4	2.8	4.2	0.7	1.4	2.1
Wire Size Amps	1.8	3.5	5.3	0.9	1.8	2.7
Maximum Overcurrent Protection Device, Amps	15	15	15	15	15	15

The Liebert® Lee-Temp receiver requires a separate power feed for heaters. The condenser is not designed to supply power to the receiver.

6.1.1 Line Voltage Wiring



WARNING! Risk of improper wire sizing. Can cause short circuit, overheated wire, smoke, fire, building and equipment damage, injury or death.

Select and install the electrical supply wire and overcurrent protection device(s) according to the specifications on the unit nameplate(s), per the instructions in this manual and according to the applicable national, state and local code requirements. Use copper conductors only. Make sure all electrical connections are tight. Unit-specific wiring diagrams are provided on each unit.

Condenser rated voltage should be verified with available power supply before installation. Refer to the unit's electrical schematic and serial tag for specific electrical requirements.

Line voltage electrical service is required for all condensers at the location of the condenser. The power supply does not necessarily have to be the same voltage supply as required by the indoor unit connected to the condenser. See the unit's serial tag for specific condenser electrical requirements. A unit disconnect is standard on VFD and Vertiv™ Liebert® Quiet-Line Condensers and is optional on Fan Speed Control and standard Vertiv™ Liebert® Lee-Temp condensers. However, a site disconnect may be required per local code to isolate the unit for maintenance. Route the supply power to the site disconnect switch and then to the unit. Route the conduit through the hole provided in the cabinet. Connect earth ground to lug provided near terminal board.

NOTE: Liebert® Lee-Temp and Liebert® Quiet-Line Condensers require a separate line voltage electrical supply for the heated receivers. See for power requirements.

Line Voltage —VFD-Control Condensers Only

The installer/startup technician must determine the type of 3-phase supply power being used for the VFD Control Condenser: Wye connected power or Delta connected power.

Wye-connected power has two different voltages that can be measured: Phase-to-Phase voltage (this is equal to the nominal input voltage) and Phase-to-Neutral voltage (typically used for small single phase loads (120VAC or 277VAC).

Delta-connected power only has one voltage level that can be measured: Phase-to-Phase. See **Figure 6.1** on the next page



WARNING! Risk of electric shock. Can cause injury or death.

The optional, variable frequency fan speed control may contain a stored electrical charge. Open all local and remote electric power disconnect switches, verify with a voltmeter that power is Off and wait 10 minutes before working within the optional, variable frequency fan speed control electrical enclosures.

6.1.2 Line Voltage Wiring



WARNING! Risk of improper wire sizing. Can cause short circuit, overheated wire, smoke, fire, building and equipment damage, injury or death.

Select and install the electrical supply wire and overcurrent protection device(s) according to the specifications on the unit nameplate(s), per the instructions in this manual and according to the applicable national, state and local code requirements. Use copper conductors only. Make sure all electrical connections are tight. Unit-specific wiring diagrams are provided on each unit.

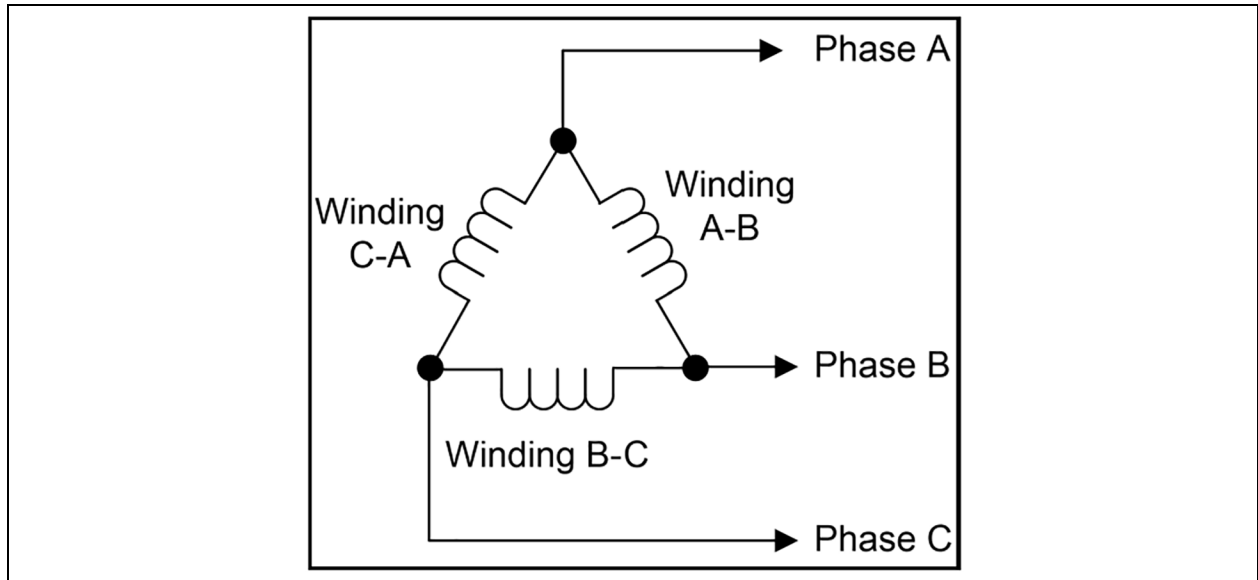
Condenser rated voltage should be verified with available power supply before installation. Refer to the unit's electrical schematic and serial tag for specific electrical requirements.

Line voltage electrical service is required for all condensers at the location of the condenser. The power supply does not necessarily have to be the same voltage supply as required by the indoor unit connected to the condenser. See the unit's serial tag for specific condenser electrical requirements. A unit disconnect is standard on VFD and Vertiv™ Liebert® Quiet-Line Condensers and is optional on Fan Speed Control and standard Vertiv™ Liebert® Lee-Temp condensers. However, a site disconnect may be required per local code to isolate the unit for maintenance. Route the supply power to the site disconnect switch and then to the unit. Route the conduit through the hole provided in the cabinet. Connect earth ground to lug provided near terminal board.

NOTE: Liebert® Lee-Temp and Liebert® Quiet-Line Condensers require a separate line voltage electrical supply for the heated receivers. See for power requirements.

Delta Connected Power Supply

Figure 6.1 Delta Connected Power Diagram

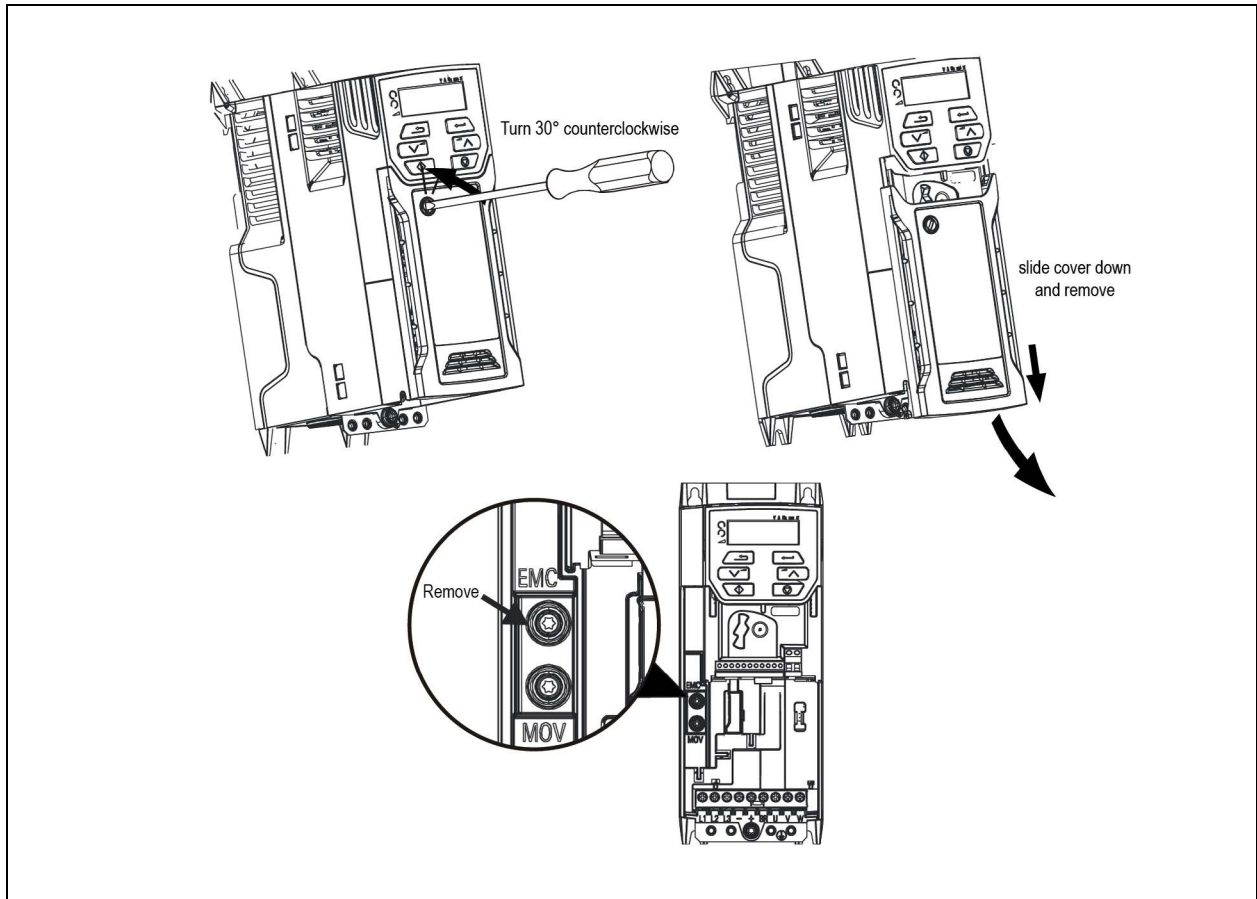


Disconnect EMC Filter for Delta Connected Power

The Installer or startup technician needs to disconnect the EMC filter on the VFD to ensure proper operation if the VFD Control Condenser will be operated with Delta-connected power.

1. Disconnect the power supply before working on the unit.
2. Open the electrical panel cover and locate the VFD (Refer to **Figure 6.4** on page 57).
3. Using **Figure 6.2** on the facing page, remove the terminal cover from the VFD control:
 - Using a flat-bladed screwdriver, turn the terminal-cover locking clip counterclockwise approximately 30°
 - Slide the terminal cover down and remove it.
 - Remove the screw labeled EMC to disconnect the internal EMC filter.

Figure 6.2 Disconnecting EMC Filter for Operation with Delta Connected Power



Surge Protection Device—VFD Controlled Condensers Only

A Surge Protective Device (SPD) panel is standard in the VFD Condenser models only. Surge protection is necessary because the rooftop voltage supply often is not conditioned the same as the voltage supply inside the data center. The SPD is designed to protect the VFD from high voltage transients, up to 50kVA/phase.

6.1.3 Low Voltage Control Wiring

NOTICE

Risk of control malfunction. Can cause improper unit operation. Make sure that all low voltage electrical wiring has been performed per the schematic diagram provided and that all low voltage wiring connections are tight.

A control interlock between the condenser and the indoor cooling units is required. Field-supplied copper wire is required for connection between like-numbered terminals 70 & 71 on both units. Wiring must be sized and selected for insulation case per NEC and other local codes. See **Figure 6.3** on page 56, **Figure 6.4** on page 57, and **Figure 6.5** on page 58. for location of terminals on condensers and indoor units. For control wiring runs up to 150 ft (45.7m). Contact the factory for assistance with longer wiring runs.

Table 6.9 Minimum Recommended Control Circuit Wire size, AWG, 60Hz Models

Control Wire Run ft (m)	Control Type												
	VFD & Fan Speed Controlled						Liebert® Lee-Temp Only		Liebert® Lee-Temp Controlled with Fan-Cycling				
	Number of Fans						Number of Fans		Number of Fans				
	1	2	3	4	6	8	1-4	6 & 8	2	3	4	6	8
0-25 (0-7.6)	16	16	16	16	16	16	16	16	16	16	16	16	16
26-50 (7.9-15.2)			16	16	14	16				16	16	16	
51-75 (15.5-22.8)			16	16	14	14				16	16	16	16
76-100 (23.2-30.4)			16	16	12	12				16	16	16	16
101-125 (30.8-38.1)			16	14	10	12				16	14	16	14
126-150 (38.4-45.7)			14	14	10	10				14	14	14	14
Table based on 16AWG min. wire size, 0.4A per contactor, 1 to 1.5V maximum drop & 104°F (40°C) average ambient temperature													

Table 6.10 Minimum Recommended Control Circuit Wire Size, mm2, 50 Hz Models

Control Wire Run, M (ft)	Control Type														
	VFD & Fan Speed Controlled						Liebert® Lee-Temp Only		Liebert® Lee-Temp Controlled with Fan-Cycling						
	Number of Fans						Number of Fans		Number of Fans						
	1	2	3	4	6	8	1-4	6 & 8	2	3	4	6	8		
0-7.6 (0-25)	10	10	1.0	1.0	1.5	1.0	10	1.0	1.0	1.0	1.0	1.0	1.0		
7.9-15.2 (26-50)			1.0	1.0	2.5	2.5				1.0	1.0	1.0	1.0		
15.5-22.8 (51-75)			1.5	1.5	4.0	4.0				1.0	1.0	1.5	1.5	1.5	1.5
23.2-30.4 (76-100)			1.5	2.5	6.0	4.0				1.0	1.0	1.5	2.5	1.5	2.5
30.8-38.1 (101-125)			2.5	2.5	6.0	6.0				1.5	1.5	2.5	2.5	2.5	2.5
38.4-45.7 (126-150)			2.5	4.0	6.0	6.0				1.5	1.5	2.5	4.0	2.5	4.0
Table based on 1.0mm ² min. wire size, 0.5A per contactor, 1 to 1.5V maximum drop & 40 °C (104 °F) average ambient temperature															

Low Voltage Monitoring Wiring VFD Condensers Only

Condensers with monitoring terminals may be wired with Class 1 copper wire to the indoor cooling unit or other monitoring panel. Wiring must be sized so that the voltage drop in the circuit does not exceed 1 volt. Dry contacts close when a monitored event occurs. Consult condenser electrical schematic, supplied with the unit, for details.

Contact closure on VFD Drive monitoring terminals indicates a healthy VFD drive. Contact open indicates no power to condenser or a permanent VFD fault. A factory-programmed VFD must be used as the replacement.

Contact closure on SPD monitoring terminals may indicate unit trouble ranging from electrical supply issues to SPD replacement required. A properly trained and qualified electrician is required.

6.2 Electrical Field Connection Descriptions

Figure 6.3 Electrical Field Connections for Fan Speed Control Condensers

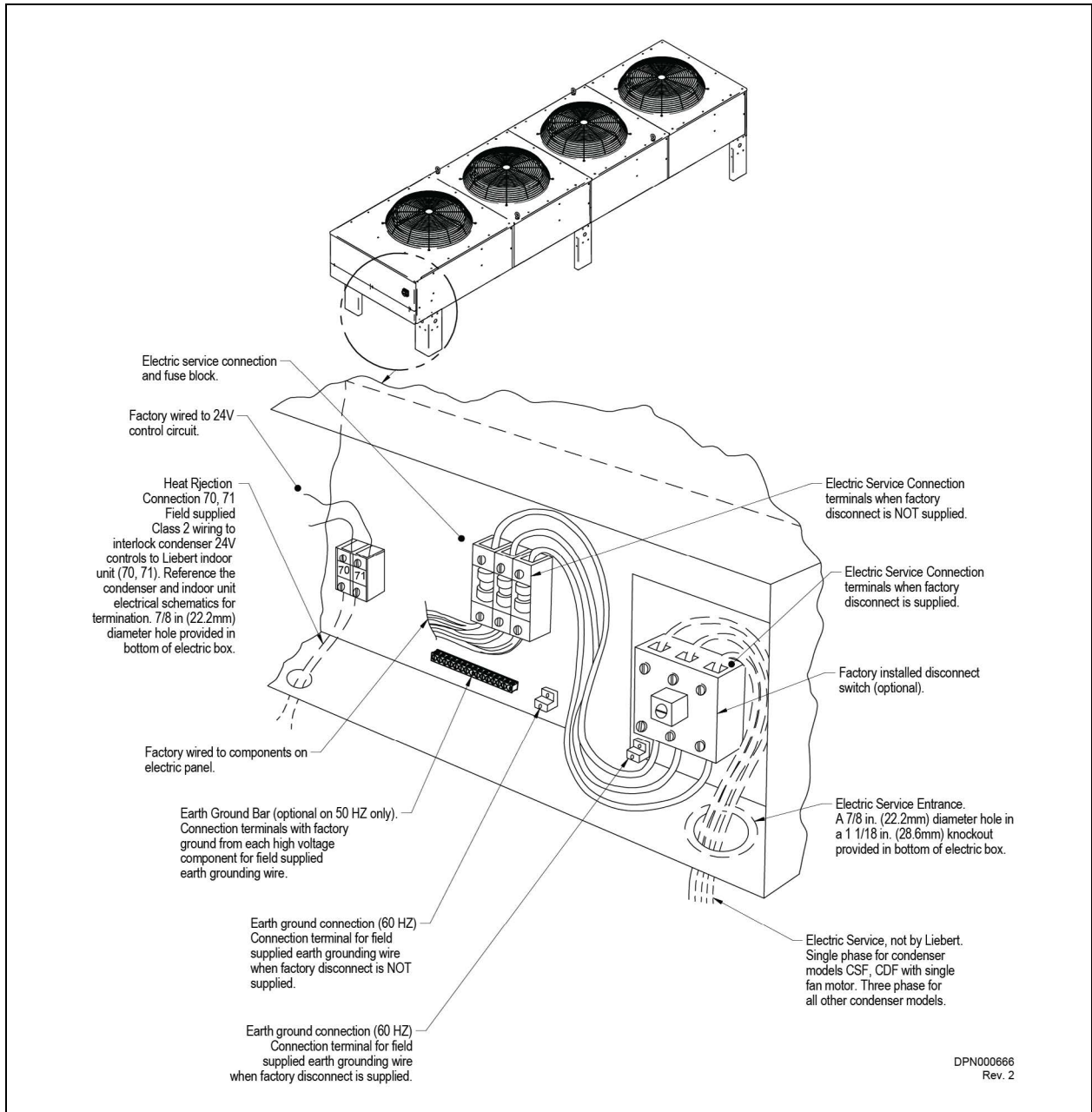


Figure 6.4 Electrical Field Connections for VFD Control Condensers

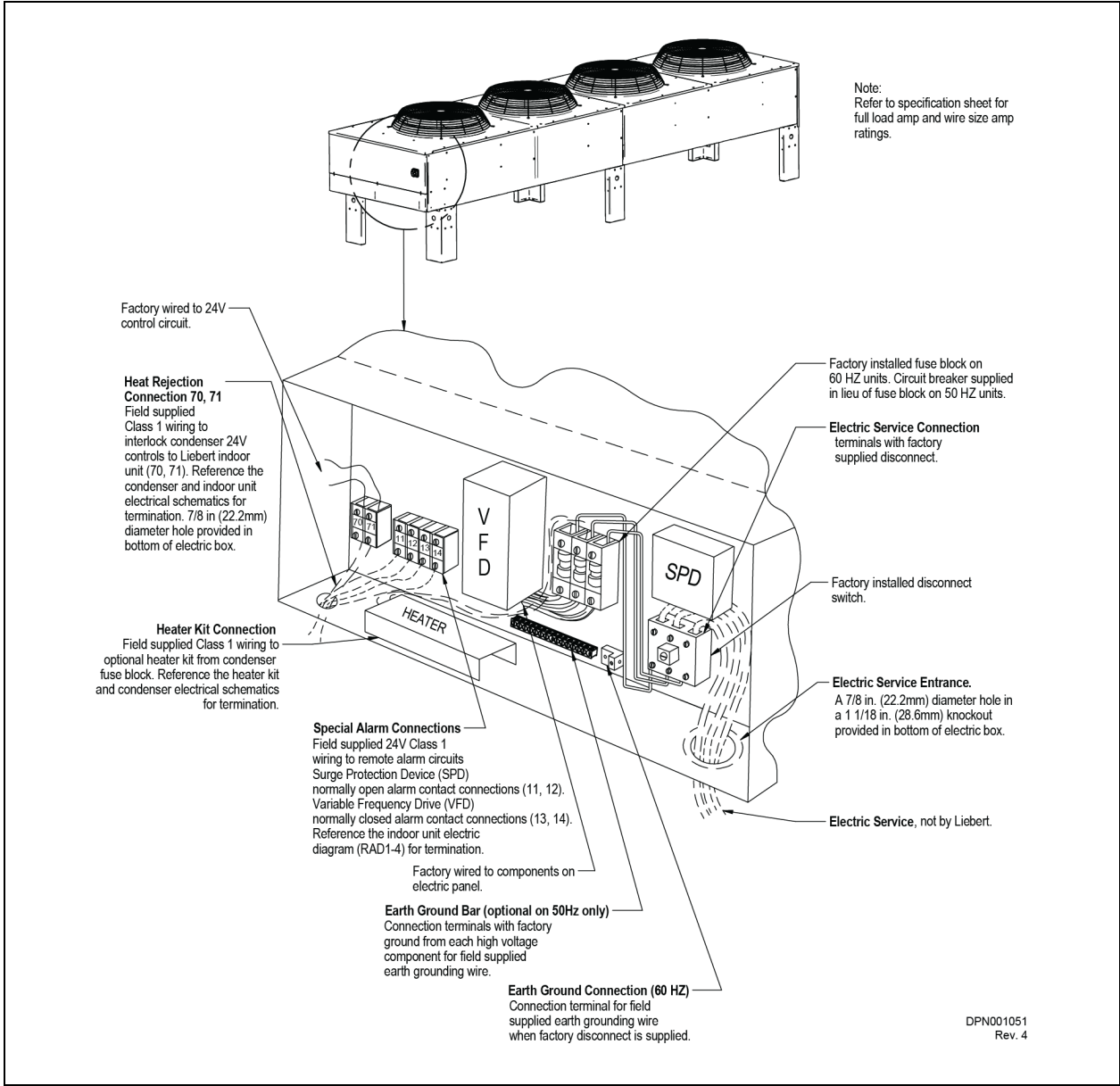
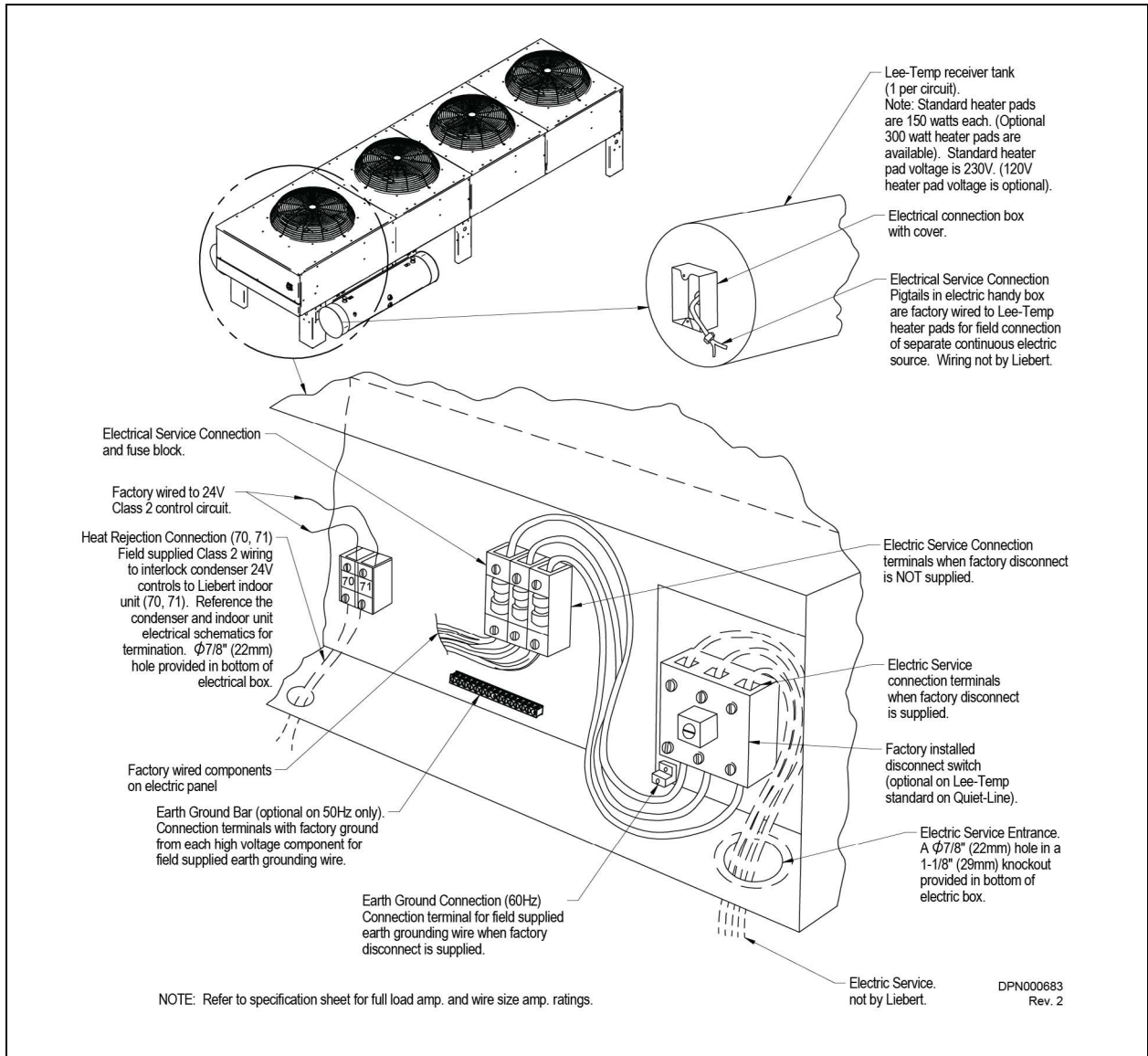


Figure 6.5 Electrical Field Connections for Vertiv™ Liebert® Lee-Temp Control Condensers



7 Checklist for Completed Installation

7.1 Moving and Placing Equipment

1. Unpack and check received material
2. Proper clearance for service access has been maintained around the equipment
3. Equipment is level and mounting fasteners are tight

7.2 Electrical

1. Line voltage connected and matches equipment nameplate
2. Power line circuit breakers or fuses have proper ratings for equipment installed
3. Control wiring connections completed between indoor cooling unit and condenser
4. All internal and external high and low voltage wiring connections are tight
5. VFD condensers only—Check for Delta Connected Power Supply and make any needed adjustments per **Figure 6.2** on page 53
6. Monitoring wiring connections completed, when equipped, to indoor cooling unit or external monitoring panel
7. Confirm that unit is properly grounded to an earth ground
8. Control transformer setting matches incoming power
9. Electrical service conforms to national and local codes
10. Check fans for proper phase rotation. Blades should rotate clockwise when viewing the unit from the fan guard side.

7.3 Piping

1. Piping is completed to corresponding indoor cooling unit refrigeration circuit.
2. Piping leak checked, evacuated, and charged with specified refrigerant.
3. Additional refrigerant oil added, if required, per circuit.
4. Piping is properly sized, sloped and trapped for proper oil return.
5. Piping is routed to reduce potential of rub through or chaffing.
6. Refrigerant lines are secured to condenser leg(s).

7.4 Other

1. Fans rotate freely and in proper direction
2. Adjust ambient thermostat setpoints to match setpoints on the electrical schematic supplied with the condenser.
3. Foreign material removed from in and around all equipment installed (construction materials, construction debris, etc.).
4. Installation materials and tools have been removed from in and around all equipment (literature, shipping materials, tools, etc.).
5. Blank start-up sheet located, ready for completion by installer or start-up technician.

This page intentionally left blank.

8 Operation



WARNING! Arc flash and electric shock hazard. Open all local and remote electric power disconnect switches, verify with a voltmeter that power is Off and wear personal protective equipment per NFPA 70E before working within the electric control enclosure. Failure to comply can cause serious injury or death.

Customer must provide earth ground to unit, per NEC, CEC and local codes, as applicable.

Before proceeding with installation, read all instructions, verify that all the parts are included and check the nameplate to be sure the voltage matches available utility power.

The factory-supplied disconnect switch is inside the electric control enclosure. The line side of this switch contains live high-voltage.

The only way to ensure that there is NO voltage inside the unit is to install and open a remote disconnect switch. Refer to unit electrical schematic.

Follow all local codes.

8.1 Startup Checklist

Refer to [Checklist for Completed Installation](#) on page 59 and verify that all installation items have been completed before beginning to start the condenser.

8.2 Startup

- Locate “Vertiv™ Liebert® Air-Cooled Fin/Tube Condenser Warranty Inspection Check Sheet” (Document # PSWI-8542-407CO).
- Turn the condenser disconnect ON. Indoor units should be turned on and set for cooling to allow operation of condenser.
- Check the fans for proper rotation: Clockwise when viewing the unit from the fan guard (top) side. Check that air is being drawn through the coil and discharged out the fan assembly. Some ambient thermostats may need to be temporarily adjusted to lower temperature settings to observe all fans operate. Readjust thermostat settings to correspond to setpoints shown on the electrical schematic supplied with the unit.
- Complete “Liebert® Air-Cooled Fin/Tube Condenser Warranty Inspection Check Sheet” (Document # PSWI-8542-407CO).

NOTE: This document must be completed and forwarded to your local Vertiv sales office to validate warranty.

- Contact your local Vertiv sales representative or Liebert® Thermal Management Support if you have any questions or problems during unit startup and commissioning.
- Local Vertiv sales offices and Vertiv Thermal Management Support contacts can be found at www.Vertiv.com or by calling 1-800-LIEBERT.

This page intentionally left blank.

9 Troubleshooting

Table 9.1 Troubleshooting

Symptom	Possible Cause	Check or Remedy
Condenser will not start	No power to condenser.	Check voltage at input terminal block.
	Circuit breaker for low voltage transformer in condenser is tripped.	Locate problem in condenser electrical panel and repair.
	No low voltage signal to/from indoor unit.	Locate open circuit and repair.
Low indoor unit suction pressure	Insufficient refrigerant in system.	Check for leaks, repair, and add refrigerant.
	Fan-cycling ambient thermostats setpoints too low.	Check schematic for recommended setpoints and adjust.
Low discharge pressure	Faulty head pressure control valve or condenser FSC/VFD control.	Replace if defective.
High discharge pressure	Dirty condenser fins.	Clean coil.
	Condenser fans not operating.	Check for low voltage signal from indoor unit.
		Check fan motors and fuses.
		Check for correct ambient thermostat setpoints, as applicable.
High refrigerant charge	Check refrigerant charge.	
VFD Condenser trips out on over voltage (OU displayed on VFD controller)	Supply voltage is Delta configuration or is ungrounded/high impedance.	Shut off AC voltage, locate the VFD, pull out the EMC tab and reconnect power.

This page intentionally left blank.

10 System Maintenance



WARNING! Arc flash and electric shock hazard. Open all local and remote electric power disconnect switches, verify with a voltmeter that power is Off and wear personal protective equipment per NFPA 70E before working within the electric control enclosure. Failure to comply can cause serious injury or death.

Customer must provide earth ground to unit, per NEC, CEC and local codes, as applicable.

Before proceeding with installation, read all instructions, verify that all the parts are included and check the nameplate to be sure the voltage matches available utility power.

The factory-supplied disconnect switch is inside the electric control enclosure. The line side of this switch contains live high-voltage.

The only way to ensure that there is NO voltage inside the unit is to install and open a remote disconnect switch. Refer to unit electrical schematic.

Follow all local codes.



CAUTION: Risk of contact with sharp edges, splinters and exposed fasteners. Can cause personal injury.

Only properly trained and qualified personnel wearing appropriate safety headgear, gloves, shoes and glasses should attempt to move, lift, remove packaging from or prepare unit for installation.

10.1 General Procedures

NOTE: When ordering replacement parts for equipment, it is necessary to specify unit model number, serial number, and voltage. Please record those numbers in the spaces below.

Model Number _____

Serial Number _____

Voltage/Phase/Frequency _____

Periodic attention is necessary for continued satisfactory operation of your unit. Restricted air flow through the condenser coil, reduced airflow from non-functioning fans and low refrigerant system charge levels will reduce the operating efficiency of the unit and can result in high condensing temperatures and loss of cooling. In winter, do not permit snow to accumulate around the sides or underneath the condenser coil.

Monthly and semi-annual inspections and maintenance are recommended for proper system operation. Use copies of [Preventive Maintenance Checklist](#) on page 68 for each of these inspections.

If performance or operation problems are detected at anytime, refer to [Troubleshooting](#) on page 63 for required action.

10.2 Condenser Cleaning - Standard Coil

Keeping the outdoor condenser coils clean is an important factor in maintaining peak efficiency, reliability and long life of the equipment. It is much easier to keep up on frequent cleanings rather than wait until heavy build up has occurred which may create head pressure problems with the evaporator units.

When to Clean

Normal conditions typically dictate cleaning twice a year, spring and fall. On-site or area conditions such as cottonwood trees, construction, etc., can increase cleaning frequency. On your standard monthly preventive maintenance schedule, a visual inspection of the coil is recommended to monitor conditions.

What to Use

The best overall condenser coil cleaner to use is plain water. If the coil has been maintained and cleaned at regular intervals, water is sufficient to remove dirt and debris from the fins. Heavy build up on the exterior of the fins can be removed with a brush. Water pressure from a garden hose and sprayer usually works well. If a pressure washer is used, make sure the equipment is set to a lower pressure setting and that the nozzle is set to the fan spray, not stream. Otherwise, damage to the fins could result. If a cleaner is required, we recommend a non-acidic type cleaner be used. Acid type cleaners can be aggressive to the coil fins as well as surrounding areas. Many sites do not allow the use of acidic cleaners for environmental reasons.

How to Clean

The absolute best way to clean coils is from the inside out. This requires disconnecting the power supply from the condenser before working on the unit. The fan guards and fan blades must be removed to gain access to the coil surface. The sprayer can then be worked across the coil using the water/cleaning solution, pushing the dirt and debris out the bottom of the coil. Although this does extend the time involved, the results are well worth it. This method should be used at least once a year. Spraying the coil from the outside repeatedly can push a majority of the dirt to the inner section of the fins and continue to restrict air flow. Keep in mind you may not have the luxury of shutting the unit(s) down for an extended time. A pre-scheduled shutdown with the operator may be in order. If you are using a cleaner along with the spraying process, follow recommended manufacturer instructions and be sure to rinse the coil thoroughly. Any residue left on the coil can act as a magnet to dirt.

Reinstall and secure the fan blades and fan guards after the cleaning is finished. Last, reconnect the power supply to the condenser.

10.2.1 Condenser Cleaning - Heresite Coated Coil

Proper maintenance and cleaning will help preserve the performance of Heresite coated coils and avoid corrosion over the length of the product life. Two important factors for slowing corrosion are:

- Keeping the coils clean
- Keeping the coils dry

Cleaning Frequency

At a minimum, coils should be inspected and cleaned at least twice per year. In extreme environments, where the coils are exposed to high concentrations of salt air (within 25 miles of any seacoast), or where they are installed near engine exhausts, plumbing or manufacturing vents, or regularly exposed to corrosive chemicals, you may need to clean coils more often, up to 4 times per year.

Cleaning Process

1. Turn off electrical power to the unit using lock-out system.
2. Flush the coil with water to rinse off loose residue. Allow the water to soak for 10–20 minutes to loosen surface residue.
3. Flush the coil thoroughly with any mild liquid detergent and warm water (~100°F) until all signs of residue are eliminated. If harsher cleaners are required for your environment, please contact Heresite for advice.
4. Rinse the unit thoroughly with clean water (it should not be brackish or contain excessive dissolved minerals).
5. Allow the unit to dry completely prior to turning the electrical power on or returning the unit to service.

Touch Up

If coils require a touch up to protective coatings, contact Heresite for information about on-site application options.

NOTICE

- Water under high pressure, such as a high-pressure washer. Fins may fold under high pressure causing the coating to crack.
- Abrasive products or processes to scour or remove dirt
- Striking the coil with a tool to dislodge or remove soil or residue
- Corrosive, caustic or alkaline cleaners (with a pH < 5.5 or > 8.5) as these may permanently damage the coating and void the warranty. If you have questions about the cleaner that you are using, please contact Heresite.

11 Preventive Maintenance Checklist

Source: DPN003119, Rev. 0

Vertiv™ Liebert® Air-Cooled Fin/Tube Condenser Preventive Maintenance Worksheet

Preventive Maintenance Worksheet

Inspection Date		Job Name	
Indoor Unit Model #		Indoor Unit Serial Number #	
Condenser Drycooler Model #		Condenser Drycooler Serial #	
Room Temperature/Humidity	° %	Ambient Temperature	°

Good maintenance practices are essential to minimizing operation cost and maximizing product life. Read and follow all applicable maintenance checks listed below. At a minimum, these checks should be performed semi-annually. However, maintenance intervals may need to be more frequent based on site-specific conditions. Review the unit user manual for further information on unit operation. Vertiv recommends the use of trained and authorized service personnel, extended service contracts, and factory-certified replacement parts. Contact your local Vertiv Representative for more details.

Check all that apply:

Vertiv™ Liebert® Air-Cooled Fin/Tube Condenser

1. Coil clean and free of debris
2. Fans free of debris
3. Fans securely mounted
4. Motor bearings in good condition
5. Check all refrigerant lines for vibration isolation. Support as necessary
6. Motor mounts tight
7. Piping support/clamps secure
8. Check/Re-torque wire connections
9. Check contactors for pitting (replace if pitted)
10. Check fuses
11. Verify fan operation
12. Check surge-protection device status-indicator lights (if equipped)
13. Verify operation sequence/set points
14. Ambient thermostat settings _____
15. Refrigerant level (Lee-Temp™)
16. Check refrigerant lines for signs of leaks/repair as found
17. Charge verification:
 - a. Outdoor Ambient Temperature _____
 - b. Subcooling _____
 - c. Indoor-unit Return-air Temperature _____
 - d. Sight-glass level (if Lee-Temp) _____

18. Motor amp draw

#1	L1		L2		L3	
(L1 and L2 on Fan Speed Control Motor)						
#2	L1		L2		L3	
#3	L1		L2		L3	
#4	L1		L2		L3	
#5	L1		L2		L3	
#6	L1		L2		L3	
#7	L1		L2		L3	
#8	L1		L2		L3	

Appendices

Appendix A: Technical Support and Contacts

A.1 Technical Support/Service in the United States

Vertiv Group Corporation

24x7 dispatch of technicians for all products.

1-800-543-2378

Liebert® Thermal Management Products

1-800-543-2378

Liebert® Channel Products

1-800-222-5877

Liebert® AC and DC Power Products

1-800-543-2378

A.2 Locations

United States

Vertiv Headquarters

505 N Cleveland Ave

Westerville, OH 43082

Europe

Via Leonardo Da Vinci 8 Zona Industriale Tognana

35028 Piove Di Sacco (PD) Italy

Asia

7/F, Dah Sing Financial Centre

3108 Gloucester Road, Wanchai

Hong Kong

This page intentionally left blank.

Connect with Vertiv on Social Media



<https://www.facebook.com/vertiv/>



<https://www.instagram.com/vertiv/>



<https://www.linkedin.com/company/vertiv/>



<https://www.twitter.com/Vertiv/>



Vertiv.com | Vertiv Headquarters, 1050 Dearborn Drive, Columbus, OH, 43085, USA

© 2026 Vertiv Group Corp. All rights reserved. Vertiv™ and the Vertiv logo are trademarks or registered trademarks of Vertiv Group Corp. All other names and logos referred to are trade names, trademarks or registered trademarks of their respective owners. While every precaution has been taken to ensure accuracy and completeness here, Vertiv Group Corp. assumes no responsibility, and disclaims all liability, for damages resulting from use of this information or for any errors or omissions. Specifications, rebates and other promotional offers are subject to change at Vertiv's sole discretion upon notice.

SL-10066_REV10_02-26