

**DISCONTINUED  
PRODUCT**

Precision Cooling  
For Business-Critical Continuity

## Liebert Deluxe System/3™ - DX

Installation Manual - 50 and 60 Hz, 6-30 Ton DX Systems (DH/DE/VH/VE)



**DISCONTINUED  
PRODUCT**

---

# TABLE OF CONTENTS

|   |           |
|---|-----------|
| <b>PRODUCT MODEL INFORMATION</b> .....  | <b>V</b>  |
| <b>1.0 INTRODUCTION</b> .....   | <b>1</b>  |
| 1.1 System Descriptions .....   | 1         |
| 1.1.1 Compressorized Two-Step Systems .....   | 1         |
| 1.1.2 Compressorized Four-Step Systems .....  | 1         |
| 1.1.3 GLYCOOL™ (Chilled Glycol Cooling) Systems .....   | 2         |
| 1.1.4 Dual Source Cooling Systems .....   | 2         |
| <b>2.0 INSTALLATION</b> .....   | <b>3</b>  |
| 2.1 Room Preparation .....  | 3         |
| 2.2 Location Considerations .....   | 3         |
| 2.3 Unit Dimensions .....   | 4         |
| 2.4 Piping .....  | 12        |
| 2.4.1 Drain Line .....  | 12        |
| 2.4.2 Piping Considerations for Raised-Floor Applications .....                                 | 12        |
| 2.5 Electrical Connections .....  | 12        |
| 2.6 Air Distribution Considerations .....   | 15        |
| 2.6.1 Raised-Floor Air Flow Distribution Considerations .....                                   | 15        |
| 2.6.2 Upflow Systems Additional Installation Considerations .....                               | 15        |
| 2.6.3 Ducted Application Installation .....   | 16        |
| 2.6.4 Plenum Installation .....   | 16        |
| 2.6.5 Filter Box Installation .....   | 16        |
| <b>3.0 AIR COOLED MODELS</b> .....  | <b>19</b> |
| 3.1 Condenser Location .....  | 19        |
| 3.1.1 Outdoor Prop Fan Models .....   | 19        |
| 3.1.2 Indoor Piggyback Models .....   | 19        |
| 3.2 Electrical Connections .....  | 19        |
| 3.2.1 High Voltage .....  | 19        |
| 3.2.2 Low Voltage .....   | 19        |
| 3.2.3 Lee-Temp/Flood Back Head Pressure Control Condensers (Standard on Piggyback Models) ..... | 19        |
| 3.3 Refrigerant Piping .....  | 20        |
| 3.4 Fan Speed Control Systems .....   | 31        |
| 3.4.1 Materials Supplied .....  | 31        |
| 3.4.2 Dehydration .....   | 31        |
| 3.4.3 Charging .....  | 31        |
| 3.5 Lee-Temp/Flood Back Head Pressure Control Systems .....                                     | 33        |
| 3.5.1 Piping .....  | 33        |
| 3.5.2 Materials Supplied .....  | 33        |
| 3.5.3 Dehydration .....   | 33        |
| 3.5.4 Charging .....  | 34        |
| 3.5.5 Refrigerant Level .....   | 34        |
| <b>4.0 GLYCOL COOLED/GLYCOOL™ MODELS</b> .....  | <b>36</b> |

---

|            |   |           |
|------------|---|-----------|
| 4.1        | Drycooler Location . . . . .              | 36        |
| 4.1.1      | Outdoor Prop Fan Models . . . . .         | 36        |
| 4.1.2      | Indoor Piggyback Models . . . . .         | 36        |
| 4.2        | Drycooler Installation . . . . .          | 36        |
| 4.3        | Electrical Connections . . . . .          | 36        |
| 4.3.1      | High Voltage . . . . .                    | 36        |
| 4.3.2      | Low Voltage . . . . .                     | 36        |
| 4.3.3      | Pump And Drycooler . . . . .              | 36        |
| 4.4        | Glycol Piping . . . . .                   | 36        |
| 4.5        | Preparation of Glycol Solutions . . . . . | 45        |
| <b>5.0</b> | <b>WATER COOLED MODELS . . . . .</b>      | <b>48</b> |
| 5.1        | Piping Considerations . . . . .           | 48        |
| 5.2        | Condenser . . . . .                       | 48        |
| 5.3        | Water Regulating Valve . . . . .          | 48        |
| 5.3.1      | Testing Valve Function . . . . .          | 48        |
| 5.3.2      | Manual Flushing . . . . .                 | 48        |

---

## FIGURES

|           |   |    |
|-----------|---|----|
| Figure 1  | Downflow (DH and DE models) cabinet and floor planning dimensional data . . . . .                 | 4  |
| Figure 2  | Upflow 6, 8 and 10 ton (VH and VE models) cabinet and floor planning dimensional data . . . . .   | 6  |
| Figure 3  | Upflow 6, 8 and 10 ton (VH and VE models) blower duct and deck dimensional data . . . . .         | 7  |
| Figure 4  | Upflow 15, 20 and 22 ton (VH and VE models) cabinet and floor planning dimensional data . . . . . | 8  |
| Figure 5  | Upflow 15, 20 and 22 ton (VH and VE models) blower duct and deck dimensional data . . . . .       | 9  |
| Figure 6  | Upflow 30 ton (VH and VE models) cabinet and floor planning dimensional data . . . . .            | 10 |
| Figure 7  | Upflow 30 ton (VH and VE models) blower duct and deck dimensional data . . . . .                  | 11 |
| Figure 8  | Electrical connection details . . . . .   | 13 |
| Figure 9  | Electrical field connections . . . . .  | 14 |
| Figure 10 | Ducting configurations . . . . .  | 16 |
| Figure 11 | Plenum dimensional data for 6 - 22 ton models . . . . .   | 17 |
| Figure 12 | Plenum dimensional data for 30 ton models . . . . .   | 18 |
| Figure 13 | Piping: Fan speed control condensers . . . . .  | 21 |
| Figure 14 | Piping: Lee-Temp control condensers . . . . .   | 22 |
| Figure 15 | Downflow air cooled (DH) piping connections . . . . .   | 23 |
| Figure 16 | Upflow air cooled (VH) piping connections . . . . .   | 24 |
| Figure 17 | Outdoor air cooled 1-4 fan condenser cabinet and anchor dimensional data . . . . .                | 25 |
| Figure 18 | Outdoor air cooled 6 and 8 fan condenser cabinet and anchor dimensional data . . . . .            | 27 |
| Figure 19 | Air cooled model general arrangement diagram . . . . .  | 28 |
| Figure 20 | Piggyback condenser cabinet and floor planning dimensional data . . . . .                         | 29 |
| Figure 21 | Piggyback condenser piping connections . . . . .  | 30 |
| Figure 22 | Lee-Temp control condenser . . . . .  | 34 |
| Figure 23 | Lee-Temp control typical general arrangement diagram . . . . .                                    | 35 |
| Figure 24 | Downflow glycol cooled (DH) piping connections . . . . .  | 38 |
| Figure 25 | Upflow glycol cooled (VH) piping connections . . . . .  | 39 |
| Figure 26 | Downflow GLYCOOL™ cooled (DE) piping connections . . . . .  | 40 |
| Figure 27 | Upflow GLYCOOL™ cooled (VE) piping connections . . . . .  | 41 |
| Figure 28 | 1-4 fan drycooler cabinet and anchor dimensional data . . . . .                                   | 42 |
| Figure 29 | 6- and 8-fan drycooler cabinet and anchor dimensional data . . . . .                              | 44 |
| Figure 30 | Glycol general arrangement . . . . .  | 46 |
| Figure 31 | GLYCOOL™ general arrangement . . . . .  | 47 |
| Figure 32 | Water cooled general arrangement . . . . .  | 49 |
| Figure 33 | Downflow water cooled (DH) piping connections . . . . .   | 50 |
| Figure 34 | Upflow water cooled (VH) piping connections . . . . .   | 51 |

## TABLES

|          |  |    |
|----------|--|----|
| Table i  | Model number designation . . . . .   | v  |
| Table ii | Unit weights . . . . .   | vi |
| Table 1  | Downflow (DH and DE models) dimensions . . . . .   | 5  |
| Table 2  | Upflow 6, 8 and 10 ton (VH and VE models) blower duct and deck dimensional data . . . . .  | 7  |
| Table 3  | Upflow 15, 20 and 22 ton (VH and VE models) blower duct and deck dimensional data . . . . .  | 9  |
| Table 4  | Upflow 15, 20 and 22 ton (VH and VE models) blower duct and deck dimensional data . . . . .  | 11 |
| Table 5  | Recommended free area ft <sup>2</sup> (m <sup>2</sup> for grilles or perforated panels at output velocities of 550 and 600 fpm (2.8 and 3.1 m/s) . . . . . | 15 |
| Table 6  | Plenum dimensional data for 6 - 22 ton models, in. (mm) . . . . .  | 17 |
| Table 7  | Plenum dimensional data for 30 ton models in. (mm) . . . . .   | 18 |
| Table 8  | Recommended line sizes – O.D. copper . . . . .   | 20 |
| Table 9  | Fan speed control condenser piping connection sizes - Cu OD. . . . .   | 21 |
| Table 10 | Lee-Temp control condenser piping connection sizes . . . . .   | 22 |
| Table 11 | Downflow air cooled (DH) piping connection sizes, inches . . . . .   | 23 |
| Table 12 | Factory provided piping connection sizes, inches, upflow air cooled (VH). . . . .  | 24 |
| Table 13 | Outdoor air cooled 1-4 fan condenser physical data . . . . .   | 26 |
| Table 14 | Outdoor air cooled 6 and 8 fan condenser physical data . . . . .   | 27 |
| Table 15 | Refrigerant control settings psi (kPa) . . . . .   | 28 |
| Table 16 | Piggyback condenser dimensional data . . . . .   | 29 |
| Table 17 | Piggyback condenser piping connection dimensional data . . . . .   | 30 |
| Table 18 | Piggyback condenser approximate refrigerant charges . . . . .  | 30 |
| Table 19 | Liquid line charge lb/10 ft. (kg/.3m) R-22 . . . . .   | 32 |
| Table 20 | Refrigerant control settings for air cooled units psi (kPa) . . . . .  | 32 |
| Table 21 | Indoor unit approximate refrigerant charge lb (kg.) R-22 . . . . .   | 32 |
| Table 22 | Outdoor condenser approximate refrigerant charge lb (kg) per circuit . . . . .   | 32 |
| Table 23 | Glycol concentration . . . . .   | 37 |
| Table 24 | Refrigerant control settings for glycol cooled units—psi (kPa) . . . . .   | 37 |
| Table 25 | Deluxe glycol volume approximate gal. (l) max. . . . .   | 37 |
| Table 26 | Volume in standard Type L copper piping. . . . .   | 37 |
| Table 27 | Room dew point temperatures °F (°C). . . . .   | 37 |
| Table 28 | Downflow glycol cooled (DH) piping connection sizes, inches . . . . .  | 38 |
| Table 29 | Factory-provided piping connection sizes, inches, upflow glycol cooled (VH) . . . . .  | 39 |
| Table 30 | Downflow GLYCOOL (DE) piping connection sizes, inches . . . . .  | 40 |
| Table 31 | Upflow GLYCOOL (VE) piping connection sizes, inches . . . . .  | 41 |
| Table 32 | Glycol pump data . . . . .   | 42 |
| Table 33 | 1-4 fan drycooler physical data. . . . .   | 43 |
| Table 34 | 6- and 8-fan drycooler physical data . . . . .   | 44 |
| Table 35 | Refrigerant control settings for water cooled units—psi (kPa) . . . . .  | 48 |
| Table 36 | Downflow water cooled (DH) piping connection sizes, inches . . . . .   | 50 |
| Table 37 | Factory-provided piping connection sizes, inches, upflow water cooled (VH) . . . . .   | 52 |

## PRODUCT MODEL INFORMATION

**Table i Model number designation**

| DH                              | 245                                | A                 | -                          | A  | A                                     | E                                      | I                               |
|---------------------------------|------------------------------------|-------------------|----------------------------|--|---------------------------------------|--|---------------------------------|
| VH = Upflow DX                  | Nominal Capacity in Thousand BTU/H | A = Air Cooled    | U = 4 Step DX              | A = 460/3/60<br>B = 575/3/60                     | A = Advanced Micro-processor          | 0 = No Reheat                          | 0 = No Humidifier               |
| DH = Downflow DX                |                                    | W = Water Cooled  | H = DX with Hot gas Bypass | C = 208/3/60<br>D = 230/3/60                     | G = Advanced Graphics Micro-processor | E = Electric Reheat                    | I = Infrared Humidifier         |
| DE = Downflow DX w/ Econ-O-Coil |                                    | G = Glycol Cooled |                            | F = 380/3/50<br>G = 415/3/50                     |                                       | H = Hot Water Reheat                   | G = Steam Grid Humidifier       |
| VE = Upflow DX w/ Econ-O-Coil   |                                    |                   |                            | H = 230/3/50<br>J = 200/3/50<br>M = 380/415/3/50 |                                       | G = Hot Gas Reheat<br>T = Steam Reheat | S = Steam Generating Humidifier |



### WARNING

Installation and service of this equipment should be done only by qualified personnel who have been specially trained in the installation of air conditioning equipment. Improper installation could result in property damage, injury or loss of life.



### WARNING

Hazardous voltage! Always disconnect power before servicing.



### CAUTION

Evaporator unit requires drain connections and may also require water supply. Do not locate directly above any equipment that could sustain water damage.

### Equipment Inspection

Upon arrival of the unit, inspect all items for either visible or concealed damage. Damage should be immediately reported to the carrier and a damage claim filed with a copy sent to Liebert or to your sales representative.

**Table ii Unit weights**

|   | <b>Capacity and Cooling Type</b> | <b>Weight lbs (kg)</b> |
|---|----------------------------------|------------------------|
| <b>Air Cooled Models<br/>DH/VH, 60 (50) Hz</b>    | 75A                              | 1205 (547)             |
|   | 114A (115A)                      | 1425 (647)             |
|   | 125A (130A)                      | 1440 (645)             |
|   | 199A                             | 1840 (835)             |
|   | 245A                             | 1960 (890)             |
|   | 290A                             | 2025 (920)             |
|   | 380A                             | 2160 (981)             |
| <b>Water Cooled Models<br/>DH/VH, 60 (50) Hz</b>  | 86W                              | 1455 (661)             |
|   | 127W (128W)                      | 1675 (761)             |
|   | 138W (143W)                      | 1690 (768)             |
|   | 219W                             | 2110 (957)             |
|   | 267W                             | 2280 (1036)            |
|   | 315W                             | 2345 (1065)            |
|   | 412W                             | 2500 (1135)            |
| <b>Glycol Cooled Models<br/>DH/VH, 60 (50) Hz</b> | 72G                              | 1455 (661)             |
|   | 110G (111G)                      | 1685 (765)             |
|   | 116G (121G)                      | 1700 (772)             |
|   | 192G                             | 2130 (967)             |
|   | 240G                             | 2300 (1045)            |
|   | 265G                             | 2365 (1074)            |
|   | 363G                             | 2530 (1148)            |
| <b>GLYCOOL Models<br/>DE/VE, 60 (50) Hz</b>       | 72G                              | 1615 (733)             |
|   | 110G (111G)                      | 1845 (837)             |
|   | 116G (121G)                      | 1860 (844)             |
|   | 192G                             | 2385 (1082)            |
|   | 240G                             | 2555 (1159)            |
|   | 363G                             | 2750 (1248)            |



---

## 1.0 INTRODUCTION

---

### 1.1 System Descriptions

Deluxe System/3 environmental control systems are available in several configurations. Each configuration can operate with either Advanced Microprocessor Controls (AM), or Advanced Microprocessor Controls with Graphics (AG). A brief description of each, including operational differences, can be found below. Check model numbers to see what is supplied with your unit.

#### 1.1.1 Compressorized Two-Step Systems

These systems may be air, water, or glycol cooled, depending on the heat rejection method selected.

##### Cooling

Two stages of mechanical refrigeration are available.

##### Heating

Three stages of electric reheat are standard; steam/hot water, hot gas (on water and glycol cooled systems) are optional.

##### Humidification

Infrared is standard. Steam grid and steam generating humidification are optional.

##### Dehumidification

These systems utilize the lag compressor.

#### 1.1.2 Compressorized Four-Step Systems

The four-stage systems have all the features of a compressorized, two-stage system plus cylinder unloaders on one head of each compressor. This permits the compressors to operate at a reduced level and increases energy efficiency during low-load conditions. The system responds to an increasing room load with either a two-step or a four-step process of increasing the unit's cooling.

##### Cooling

These systems have four stages of mechanical refrigeration:

- a. Lead compressor at reduced capacity
- b. Lead and lag compressors at reduced capacity
- c. Lead compressor at full capacity; lag compressor at reduced capacity
- d. Lead and lag compressors at full capacity

##### Heating

Three stages of electric reheat are standard; hot water/steam are optional.

##### Humidification

Infrared is standard; steam grid and steam generating humidification are optional.

##### Dehumidification.

These systems utilize the lag compressor.

### 1.1.3 GLYCOOL™ (Chilled Glycol Cooling) Systems

GLYCOOL systems have all of the features of a compressorized water or glycol system, plus a second cooling coil that is connected into the water circuit. When fluid temperature is sufficiently low (below room temperature), cooling is provided by circulating the fluid through the second cooling coil (flow is controlled by a motorized valve.) This is then the primary cooling source, and it greatly reduces the compressor operation.

#### Cooling

At lower fluid temperatures, the second cooling coil acts as the main cooling system. The motorized valve opens proportionally to match the room load. At higher fluid temperatures, two or four stages of mechanical refrigeration control the room load.

#### Heating

Three stages of electric reheat are standard.

#### Humidification

Infrared is standard; steam generating is optional

#### Dehumidification

These systems utilize the lag compressor.

### 1.1.4 Dual Source Cooling Systems

This system has all the features of a compressorized system but adds a second cooling coil that is connected to a source of chilled water. This second coil is controlled by a modulating control valve. It is the primary source of cooling and dehumidification so compressor operation is reduced.

#### Cooling

The second coil acts as the primary cooling system. A modulating valve opens proportionally in response to the room load. Two and four stages of mechanical refrigeration as a secondary cooling system at higher room loads.

#### Heating

Three stages of electric reheat are standard.

#### Humidification

Infrared is standard; steam generating is optional

#### Dehumidification

These systems utilize the chilled water valve, then the lag compressor if required by the load.

---

## 2.0 INSTALLATION

---

### 2.1 Room Preparation

The room should be well-insulated and must have a sealed vapor barrier. The vapor barrier in the ceiling can be a polyethylene film type. Use a rubber-base or plastic-base paint on concrete walls and floors. Doors should not be undercut or have grilles in them.

Outside, or fresh, air should be kept to an absolute minimum. Outside air adds to the heating, cooling, humidifying and dehumidifying loads of the site. It is recommended that outside air be kept below 5% of the total air circulated in the room.

### 2.2 Location Considerations

For a downflow unit, the unit can sit on an accessible, elevated flooring system. It may be necessary to furnish additional pedestal support below the unit to ensure maximum structural support. A separate floor stand for the unit may be used as support, independent of the elevated floor and installed prior to the flooring system.

For downflow and upflow units, provide approximately 34" (864mm) service clearance on the left, right and in front of the unit whenever possible. The minimum space required for installation is 18" (45.7 cm) on the left end, 18" (45.7 cm) on the right end, and 24" (61 cm) in front of the unit. This space is necessary to permit routine maintenance, such as replacing filters, adjusting the fan speed and cleaning the humidifier.



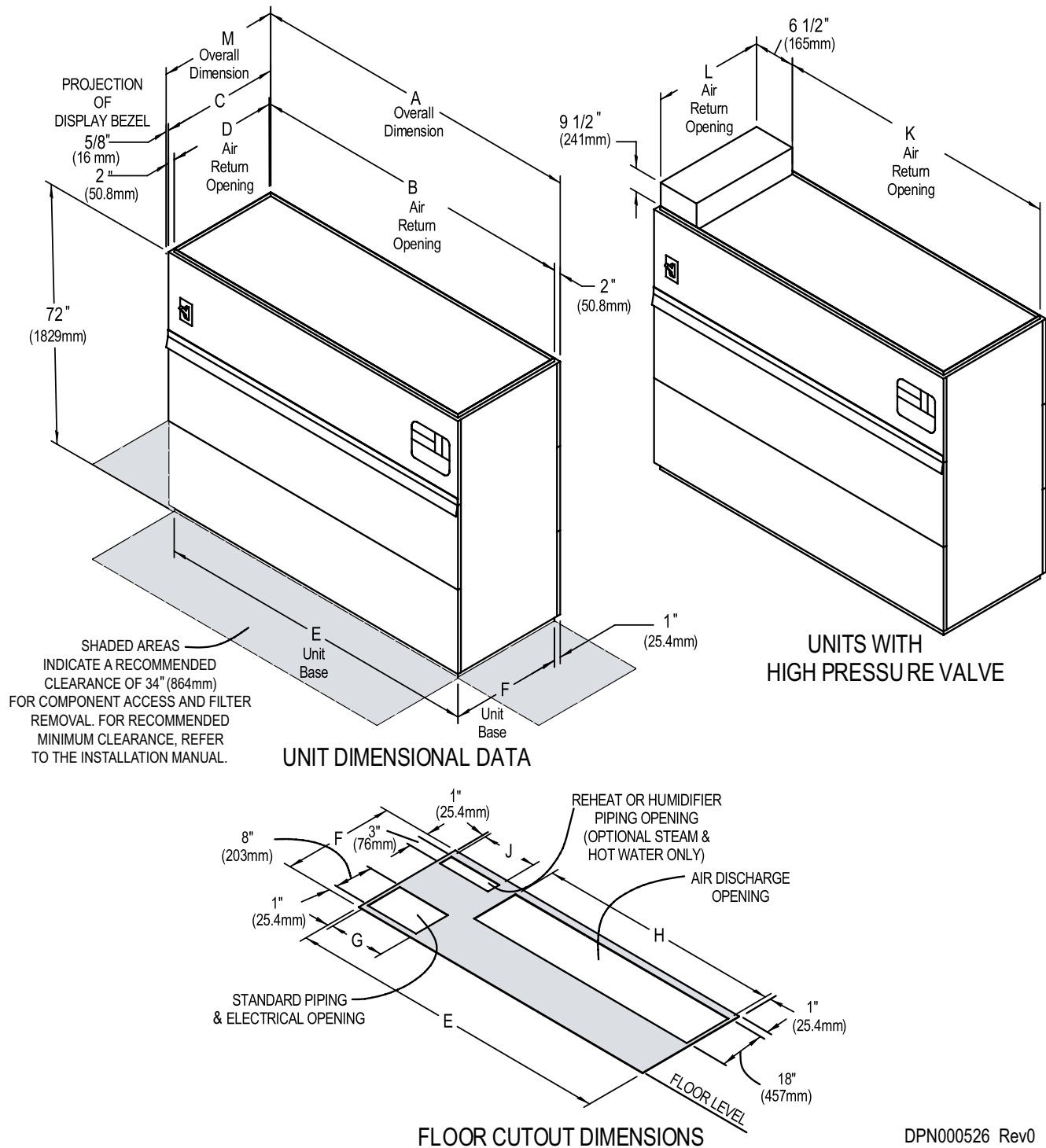
#### NOTE

*If high efficiency 6" filters are used, 25" (63.5 cm) is required on the right end for removal and replacement of filters.*

Avoid locating units in an alcove or at the extreme end of a room that has a high aspect ratio (long narrow room). Also avoid locating units too close together. This tends to reduce the effectiveness of the air distribution as compared to units located 30-40 feet (9-12m) apart.

## 2.3 Unit Dimensions

Figure 1 Downflow (DH and DE models) cabinet and floor planning dimensional data

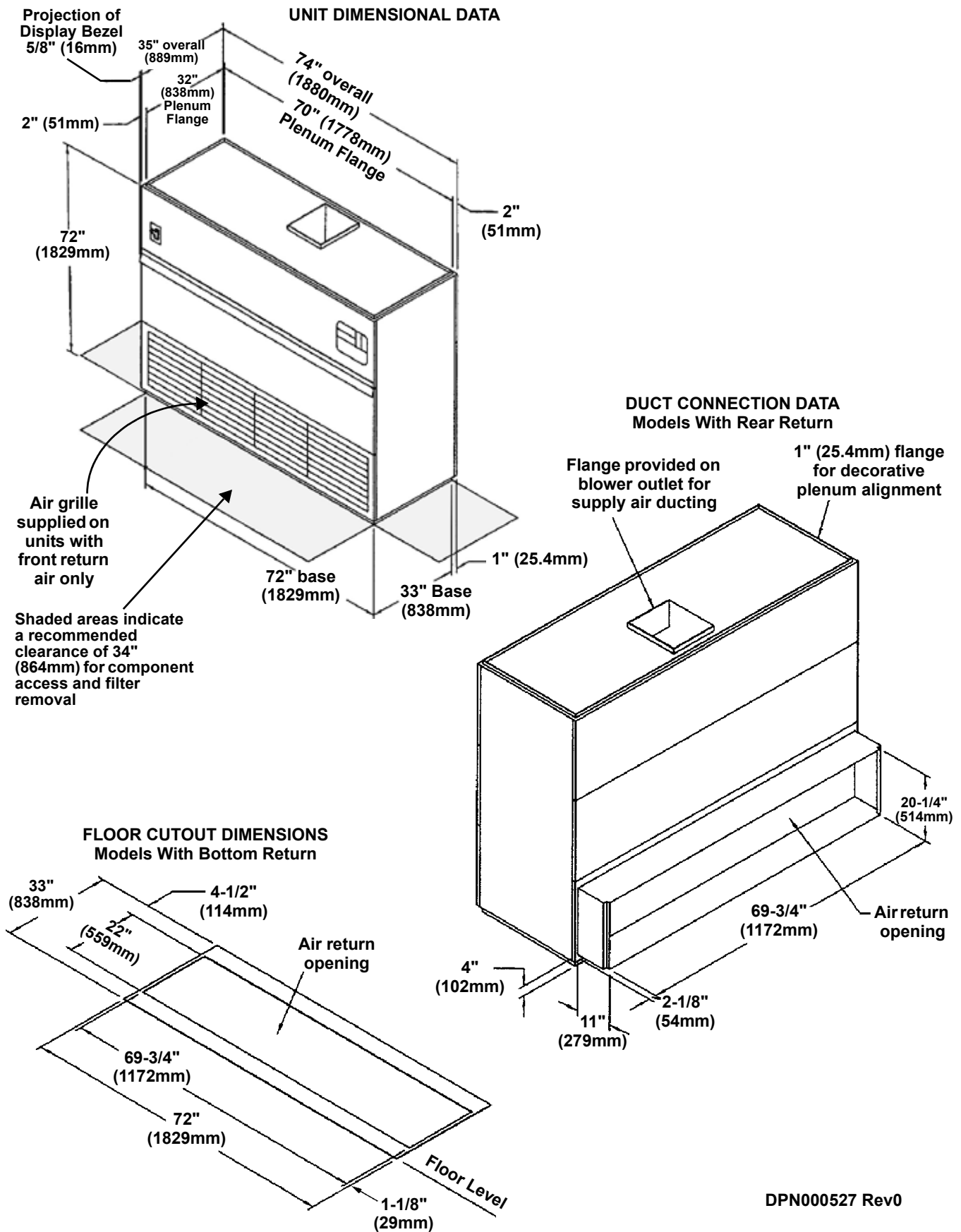


DPN000526 Rev0

Table 1 Downflow (DH and DE models) dimensions

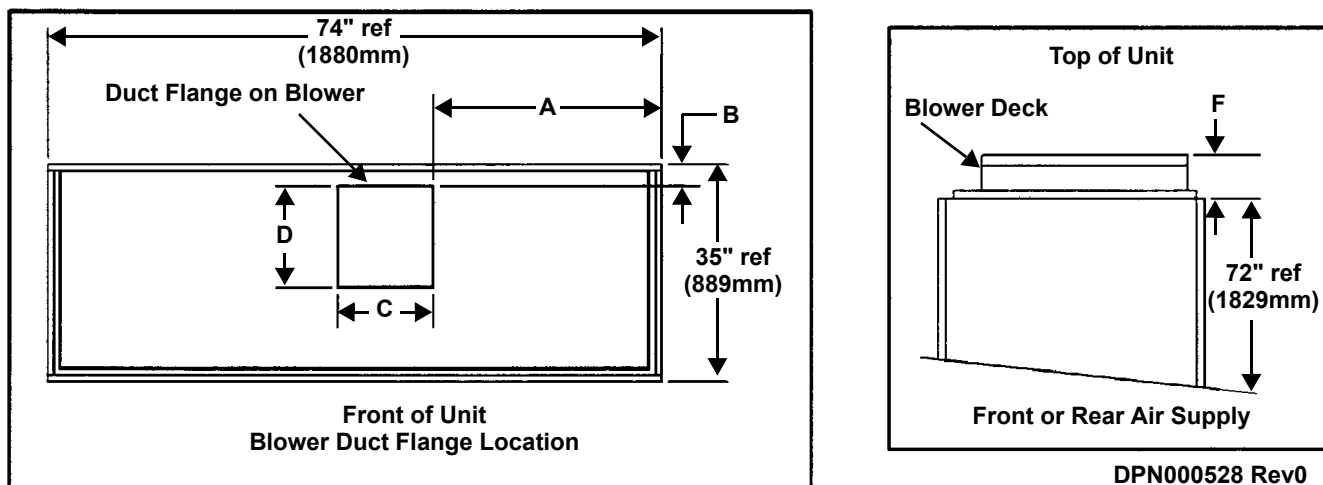
| Air Cooled<br>Water Cooled<br>Glycol Cooled<br>GLYCOOL |                                      | Dimensional Data<br>inches (mm) |               |             |             |               |             |                 |                       |                 |                       |             |
|--|--------------------------------------|---------------------------------|---------------|-------------|-------------|---------------|-------------|-----------------|-----------------------|-----------------|-----------------------|-------------|
| 60 Hz  | 50 Hz                                | A                               | B             | C           | D           | E             | F           | G               | H                     | J               | K                     | L           |
| DH75A<br>DH86W<br>DH72G<br>DE72G                       | DH75A<br>DH86W<br>DH72G<br>DE72G     | 74<br>(1880)                    | 70<br>(1778)  | 35<br>(889) | 32<br>(813) | 72<br>(1829)  | 33<br>(838) | 14-1/4<br>(362) | 54-3/4<br>(1391)      | 35-5/8<br>(905) | 63-1/2<br>1613        | 27<br>(686) |
| DH114A<br>DH127W<br>DH110G<br>DE110G                   | DH115A<br>DH128W<br>DH111G<br>DE111G | 74<br>(1880)                    | 70<br>(1778)  | 35<br>(889) | 32<br>(813) | 72<br>(1829)  | 33<br>(838) | 14-1/4<br>(362) | 54-3/4<br>(1391)      | 35-5/8<br>(905) | 63-1/2<br>1613        | 27<br>(686) |
| DH125A<br>DH138W<br>DH116G<br>DE116G                   | DH130H<br>DH143W<br>DH121G<br>DE121G | 74<br>(1880)                    | 70<br>(1778)  | 35<br>(889) | 32<br>(813) | 72<br>(1829)  | 33<br>(838) | 14-1/4<br>(362) | 54-3/4<br>(1391)      | 35-5/8<br>(905) | 63-1/2<br>1613        | 27<br>(686) |
| DH199A<br>DH219W<br>DH192G<br>DE192G                   | DH199A<br>DH219W<br>DH192G<br>DE192G | 99<br>(2515)                    | 95<br>(2413)  | 35<br>(889) | 32<br>(813) | 97<br>(2464)  | 33<br>(838) | 16-1/4<br>(413) | 77-3/4<br>(1975)      | 35-5/8<br>(905) | 88-1/2<br>(2248)      | 27<br>(686) |
| DH245A<br>DH267W<br>DH240G<br>DE240G                   | DH245A<br>DH267W<br>DH240G<br>DE240G | 99<br>(2515)                    | 95<br>(2413)  | 35<br>(889) | 32<br>(813) | 97<br>(2464)  | 33<br>(838) | 16-1/4<br>(413) | 77-3/4<br>(1975)      | 35-5/8<br>(905) | 88-1/2<br>(2248)      | 27<br>(686) |
| DH290A<br>DH315W<br>DH265G                             | DH290A<br>DH315W<br>DH265G           | 99<br>(2515)                    | 99<br>(2515)  | 35<br>(889) | 32<br>(813) | 97<br>(2464)  | 33<br>(838) | 16-1/4<br>(413) | 77-3/4<br>(1975)      | 35-5/8<br>(905) | --                    | --          |
| DH380A<br>DH412W<br>DH363G<br>DE363G                   | DH380A<br>DH412W<br>DH363G<br>DE363G | 122<br>(3098)                   | 118<br>(2997) | 35<br>(889) | 32<br>(813) | 120<br>(3048) | 33<br>(838) | 16-1/4<br>(413) | 100-3/<br>4<br>(2559) | 35-5/8<br>(905) | 111-1/<br>2<br>(2832) | 27<br>(686) |

Figure 2 Upflow 6, 8 and 10 ton (VH and VE models) cabinet and floor planning dimensional data



DPN000527 Rev0

Figure 3 Upflow 6, 8 and 10 ton (VH and VE models) blower duct and deck dimensional data

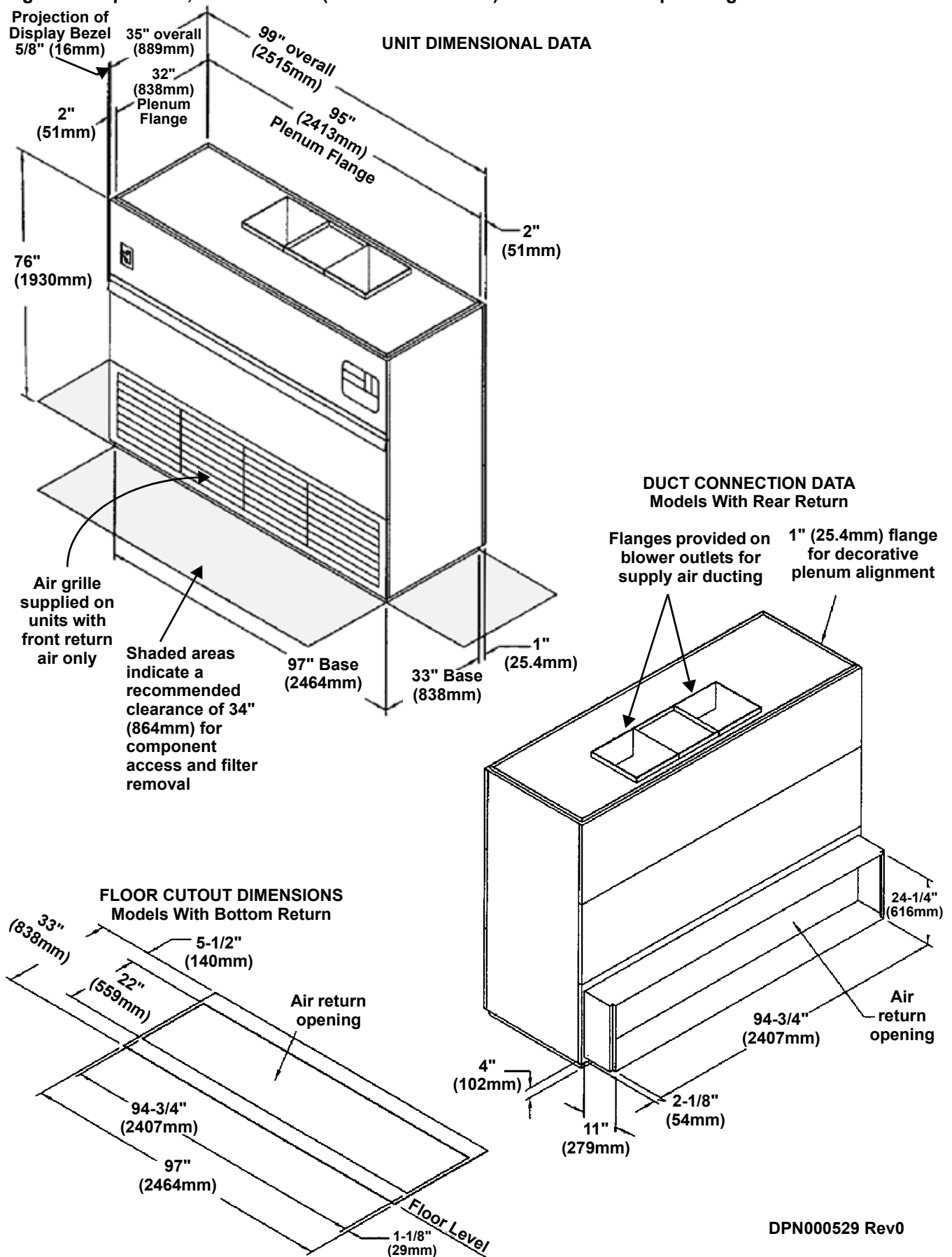


DPN000528 Rev0

Table 2 Upflow 6, 8 and 10 ton (VH and VE models) blower duct and deck dimensional data

| Blower   | Supply  | Motor HP  | Dimensional Data inches (mm) |                                    |                  |                   |                  |                                 |
|--|---------|-----------|------------------------------|------------------------------------|------------------|-------------------|------------------|---------------------------------|
|  |         |           | A                            | B                                  | C                | D                 | F                |                                 |
| VH075A<br>VH086W<br>VH072G<br>VE072G                             | 15 x 15 | TOP FRONT | 1-5                          | 22-7/8<br>(581)                    | 3-1/2<br>(89)    | 18-13/16<br>(478) | 16-3/16<br>(411) | 1-1/2<br>(38)                   |
|  |         | TOP REAR  | 1-5                          | 22-7/8<br>(581)                    | 12-5/16<br>(313) | 18-13/16<br>(478) | 16-3/16<br>(411) | 1-1/2<br>(38)                   |
|  | 15 x 11 | TOP FRONT | 1-5                          | 22-7/8<br>(581)                    | 3-1/2<br>(89)    | 14-7/8<br>(378)   | 16-3/16<br>(411) | 1-1/2<br>(38)                   |
|  |         | TOP REAR  | 1-5                          | 22-7/8<br>(581)                    | 12-5/16<br>(313) | 14-7/8<br>(378)   | 16-3/16<br>(411) | 1-1/2<br>(38)                   |
|  | 12 x 9  | TOP FRONT | 1-5                          | 22-7/8<br>(581)                    | 5-7/8<br>(149)   | 12-7/16<br>(316)  | 13 3/4<br>(349)  | 1-1/2<br>(38)                   |
|  |         | TOP REAR  | 1-5                          | 22-7/8<br>(581)                    | 12-5/16<br>(313) | 12-7/16<br>(316)  | 13 3/4<br>(349)  | 1-1/2<br>(38)                   |
| VH115A/VH114A<br>VH128W/VH127W<br>VH111G/VH110G<br>VE111G/VE110G | 15 x 15 | TOP FRONT | 1.5-5                        | 22-7/8<br>(581)                    | 3-1/2<br>(89)    | 18-13/16<br>(478) | 16-3/16<br>(411) | 1-1/2<br>(38)                   |
|  |         | TOP REAR  | 1.5-5                        | 22-7/8<br>(581)                    | 12-5/16<br>(313) | 18-13/16<br>(478) | 16-3/16<br>(411) | 1-1/2<br>(38)                   |
|  | 15 x 11 | TOP FRONT | 2-7.5                        | 22-7/8<br>(581)                    | 3-1/2<br>(89)    | 14-7/8<br>(378)   | 16-3/16<br>(411) | 1-1/2<br>(38)                   |
|  |         | TOP REAR  | 2-5<br>7.5                   | 22-7/8<br>(581)                    | 12-5/16<br>(313) | 14-7/8<br>(378)   | 16-3/16<br>(411) | 1-1/2<br>(38)<br>4 1/2<br>(114) |
| VH130A/VH125A<br>VH143W/VH138W<br>VH121G/VH116G<br>VE121G/VE116G | 15 x 15 | TOP FRONT | 2-5                          | 22-7/8<br>(581)                    | 3-1/2<br>(89)    | 18-13/16<br>(478) | 16-3/16<br>(411) | 1-1/2<br>(38)                   |
|  |         | TOP REAR  | 2-5                          | 22-7/8<br>(581)                    | 12-5/16<br>(313) | 18-13/16<br>(478) | 16-3/16<br>(411) | 1-1/2<br>(38)                   |
|  | 15 x 11 | TOP FRONT | 3-10                         | 22-7/8<br>(581)                    | 3-1/2<br>(89)    | 14-7/8<br>(378)   | 16-3/16<br>(411) | 1-1/2<br>(38)                   |
|  |         | TOP REAR  | 3-5<br>7.5-10                | 22-7/8<br>(581)<br>23 7/8<br>(606) | 12-5/16<br>(313) | 14-7/8<br>(378)   | 16-3/16<br>(411) | 1-1/2<br>(38)<br>4 1/2<br>(114) |

Figure 4 Upflow 15, 20 and 22 ton (VH and VE models) cabinet and floor planning dimensional data



DPN000529 Rev0



Figure 5 Upflow 15, 20 and 22 ton (VH and VE models) blower duct and deck dimensional data

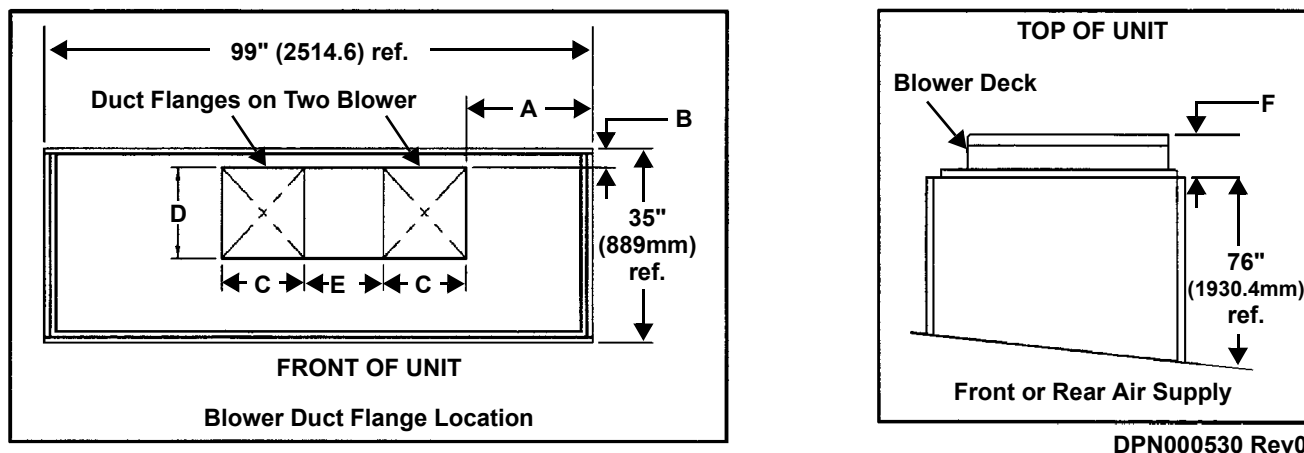
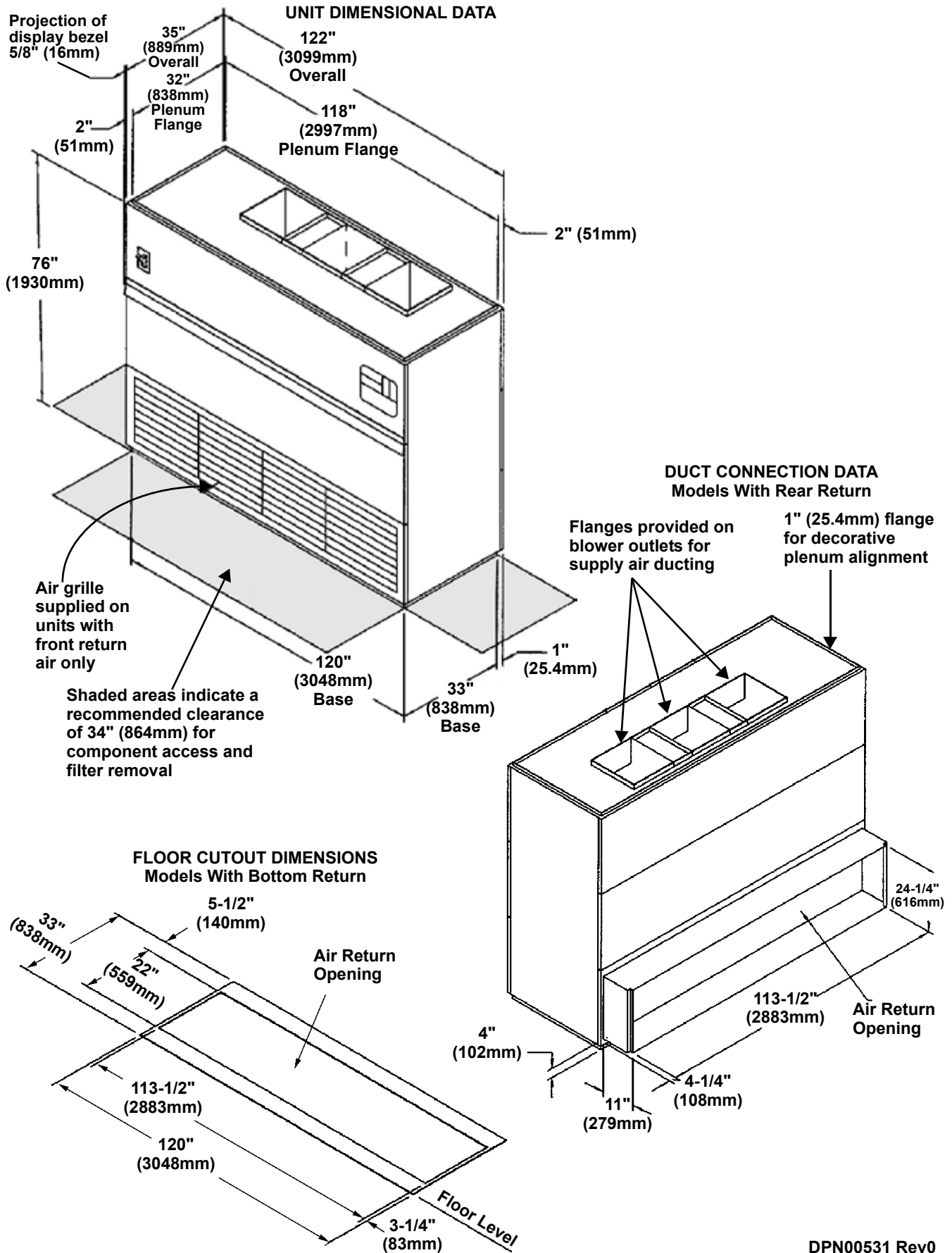


Table 3 Upflow 15, 20 and 22 ton (VH and VE models) blower duct and deck dimensional data

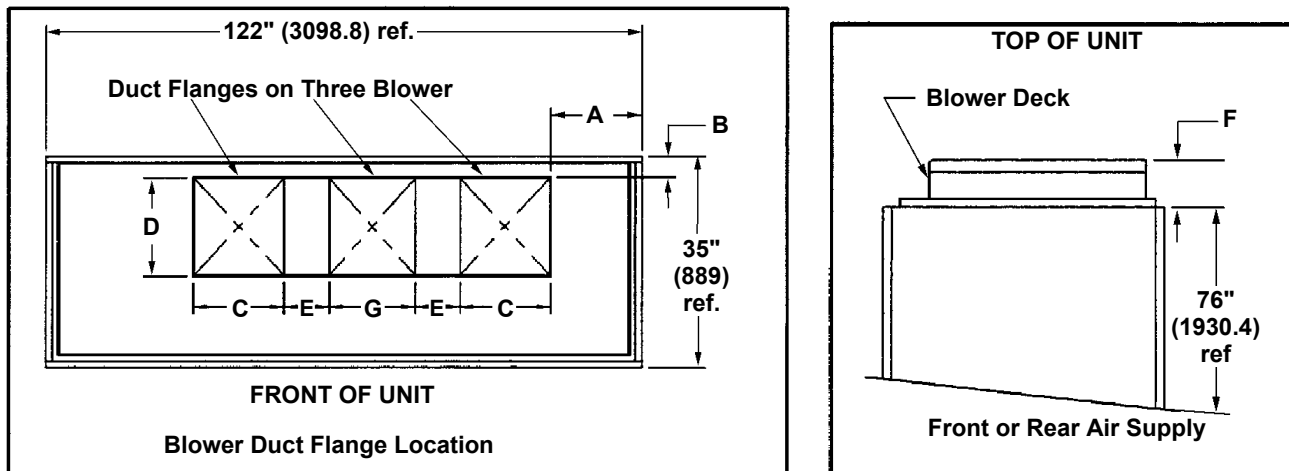
|  | Blower  | Supply    | Motor HP     | Dimensional Data inches (mm) |               |                |               |                |            |
|--|---------|-----------|--------------|------------------------------|---------------|----------------|---------------|----------------|------------|
|  |         |           |              | A                            | B             | C              | D             | E              | F          |
| VH199A<br>VH219W<br>VH192G<br>VE192G                               | 15 x 15 | TOP FRONT | 3-7.5        | 20-3/8 (518)                 | 3-1/2 (89)    | 18-13/16 (478) | 16-3/16 (411) | 12-11/16 (322) | 1-1/2 (38) |
|  |         |           | 10           | 22-7/8 (581)                 |               |                |               |                |            |
|  |         | TOP REAR  | 3-5          | 20-3/8 (518)                 | 12-5/16 (313) | 18-13/16 (478) | 16-3/16 (411) | 12-11/16 (322) |            |
|  |         |           | 7.5-10       | 25-3/8 (645)                 |               |                |               | 10 (254)       |            |
|  | 15 x 11 | TOP FRONT | 5-7.5        | 20-3/8 (518)                 | 3-1/2 (89)    | 14-7/8 (378)   | 16-3/16 (411) | 16-5/8 (422)   | 1-1/2 (38) |
|  |         |           | 10           | 22-7/8 (581)                 |               |                |               |                |            |
|  |         |           | 15           | 25-3/8 (645)                 |               |                |               | 14-1/2 (368)   |            |
|  |         | TOP REAR  | 5            | 20-3/8 (518)                 | 12-5/16 (313) | 14-7/8 (378)   | 16-3/16 (411) | 16 5/8 (422)   |            |
|  | 7.5-15  |           | 25-3/8 (645) | 14 1/2 (368)                 |               |                |               | 4-1/2 (114)    |            |
|  | 12 x 9  | TOP FRONT | 7.5          | 20-3/8 (518)                 | 5-7/8 (149)   | 12-7/16 (316)  | 13-3/4 (349)  | 22-3/4 (578)   | 1-1/2 (38) |
|  |         |           | 10           | 22-7/8 (581)                 |               |                |               |                |            |
|  |         |           | 15           | 25-3/8 (645)                 |               |                |               | 18-5/8 (473)   |            |
| TOP REAR   |         | 7.5-15    | 25-3/8 (645) | 12-5/16 (313)                | 12-7/16 (316) | 13-3/4 (349)   | 18-5/8 (473)  | 4-1/2 (114)    |            |
| VH245A<br>VH290A<br>VH267W<br>VH315W<br>VH240G<br>VH265G<br>VE240G | 15 x 15 | TOP FRONT | 5-7.5        | 20 3/8 (518)                 | 3-1/2 (89)    | 18-13/16 (478) | 16-3/16 (411) | 12-11/16 (322) | 1-1/2 (38) |
|  |         |           | 10           | 22-7/8 (581)                 |               |                |               |                |            |
|  |         | TOP REAR  | 5            | 20 3/8 (518)                 | 12-5/16 (313) | 18-13/16 (478) | 16-3/16 (411) | 12-11/16 (322) |            |
|  |         |           | 7.5-10       | 25 3/8 (645)                 |               |                |               | 10 (254)       |            |
|  | 15 x 11 | TOP FRONT | 7.5          | 20 3/8 (518)                 | 3-1/2 (89)    | 14-7/8 (378)   | 16-3/16 (411) | 16-5/8 (422)   | 1-1/2 (38) |
|  |         |           | 10           | 22-7/8 (581)                 |               |                |               |                |            |
|  |         |           | 15           | 25 3/8 (645)                 |               |                |               |                |            |
|  |         |           | 20           | 27 7/8 (708)                 |               |                |               | 14-1/2 (368)   |            |
|  |         | TOP REAR  | 7.5-15       | 25 3/8 (645)                 | 12-5/16 (313) | 14-7/8 (378)   | 16-3/16 (411) | 14-1/2 (368)   |            |
|  |         |           | 20           | 27 7/8 (708)                 |               |                |               | 4-1/2 (114)    |            |

Figure 6 Upflow 30 ton (VH and VE models) cabinet and floor planning dimensional data



DPN00531 Rev0

Figure 7 Upflow 30 ton (VH and VE models) blower duct and deck dimensional data



DPN000532 Rev0

Table 4 Upflow 15, 20 and 22 ton (VH and VE models) blower duct and deck dimensional data

|                                      | Blower  | Supply    | Motor HP | Dimensional Data inches (mm) |                  |                   |                  |             |                |                   |
|--------------------------------------|---------|-----------|----------|------------------------------|------------------|-------------------|------------------|-------------|----------------|-------------------|
|                                      |         |           |          | A                            | B                | C                 | D                | E           | F              | G                 |
| VH380A<br>VH412W<br>VH363G<br>VE363G | 15 x 5  | TOP FRONT | 10       | 22-7/8<br>(581)              | 3-1/2<br>(89)    | 18-13/16<br>(478) | 16-3/16<br>(411) | 10<br>(254) | 1-1/2<br>(38)  | 18-5/8<br>(473)   |
|                                      |         | TOP REAR  | 10       | 22-7/8<br>(581)              | 12-5/16<br>(313) | 18-13/16<br>(478) | 16-3/16<br>(411) | 10<br>(254) | 4-1/2<br>(114) | 18 5/8<br>(473)   |
|                                      | 15 x 11 | TOP FRONT | 10-15    | 27-7/8<br>(708)              | 3-1/2<br>(89)    | 14-7/8<br>(378)   | 16-3/16<br>(411) | 10<br>(254) | 1-1/2<br>(38)  | 14-11/16<br>(373) |
|                                      |         |           | 20       | 27-7/8<br>(708)              | 3-1/2<br>(89)    | 14-7/8<br>(378)   | 16-3/16<br>(411) | 10<br>(254) | 4-1/2<br>(114) |                   |
|                                      |         | TOP REAR  | 10-20    | 27-7/8<br>(708)              | 12-5/16<br>(313) | 14-7/8<br>(378)   | 16-3/16<br>(411) | 10<br>(254) | 4-1/2<br>(114) | 14-11/16<br>(373) |

## 2.4 Piping

All fluid and refrigeration connections to the unit, with the exceptions of the condensate drain and live steam, are sweat copper. Factory-installed piping brackets must not be removed. Field-installed piping must be installed in accordance with local codes and must be properly assembled, supported, isolated and insulated. Avoid piping runs through noise-sensitive areas, such as office walls and conference rooms.

Refer to specific text and detailed diagrams in this manual for other unit-specific piping requirements

### 2.4.1 Drain Line

A 3/4" NPT is provided for the evaporator coil condensate drain. This drain line also drains the humidifier, if applicable. The drain line must be located so it will not be exposed to freezing temperatures. The drain should be at least the full size of the drain connection and pitched a minimum of 1/8" per ft. (11mm per meter).



#### NOTE

*This line may contain boiling water. Use copper or other suitable material for the drain line.*

#### ***For units without a condensate pump***

*The unit is shipped from the factory with an internally-mounted trap. No external trap is required. The drain line must comply with all applicable codes.*

#### ***For units with a factory-installed condensate pump option***

*The unit is shipped from the factory with a condensate pump installed. The condensate pump discharge (drain) line must comply with all applicable codes.*

#### ***For units with a field-installed condensate pump***

*The unit is shipped from the factory with the condensate pump option, unmounted in the unit, which must be installed in the field. The unit has an internally mounted trap. The drain line from the unit to the condensate pump does not require a trap. The discharge (drain) line from the pump must comply with all applicable codes.*

### 2.4.2 Piping Considerations for Raised-Floor Applications

All piping below the elevated floor must be located so that it offers the least resistance to air flow. Careful planning of the piping layout under the raised floor is required to prevent the air flow from being blocked. When installing piping on the subfloor, it is recommended that the pipes be mounted in a horizontal plane rather than stacked one above the other. Whenever possible, the pipes should be run parallel to the air flow.

## 2.5 Electrical Connections

Three-phase electrical service is required for all models in either 208, 230, 460 or 575V, 60Hz; or 200, 230 or 400V, 50 Hz. Electrical service shall conform to national and local electrical codes.

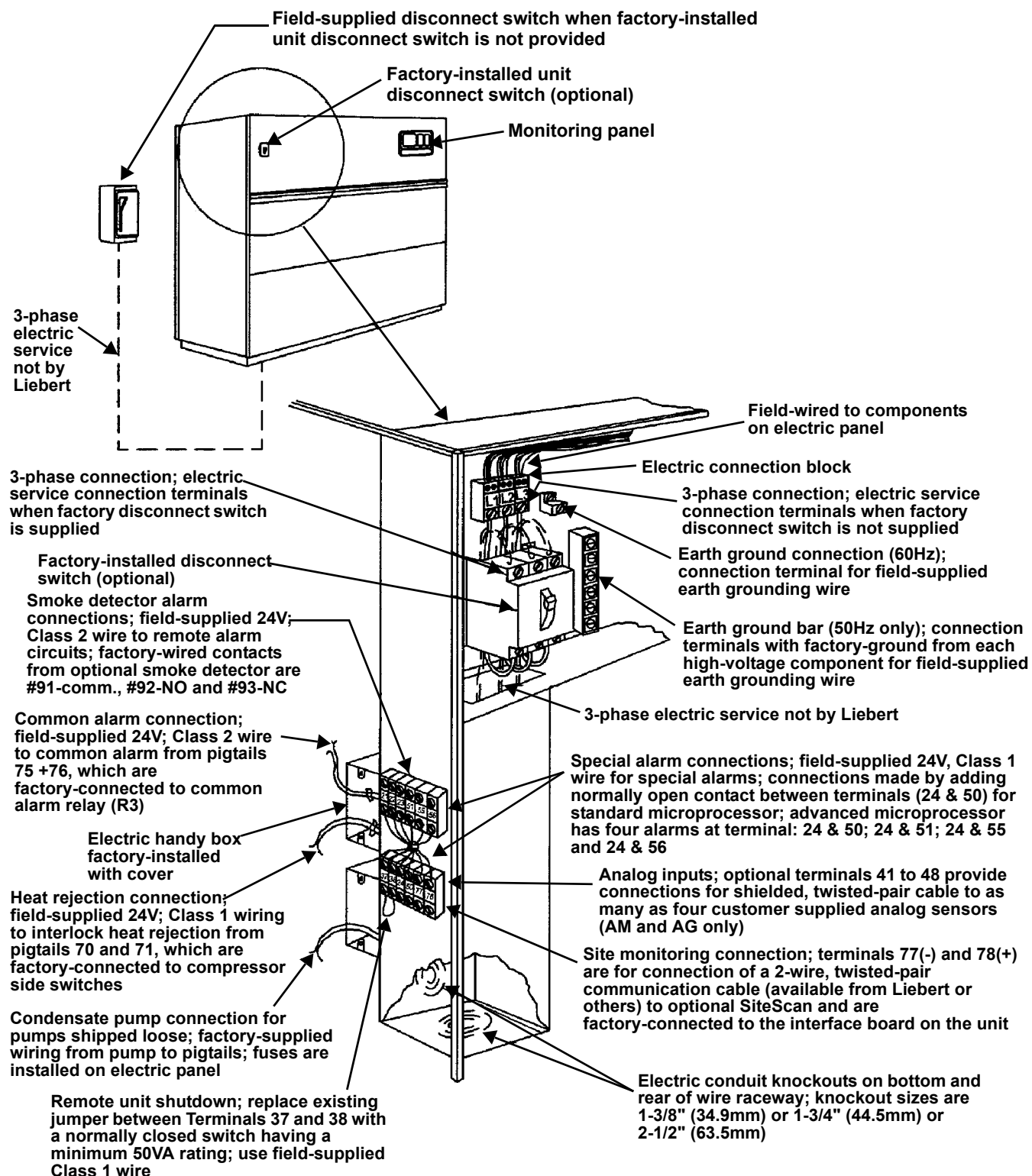
Install a manual electrical disconnect switch within 5 feet (1.6 m) of the unit in accordance with codes. A factory-supplied disconnect switch may be factory-mounted within the unit and accessible from the exterior.

Figure 8 Electrical connection details

| ROOM UNIT CONNECTIONS   |   | NOTES  |
|---|---|--|
| 3-phase line voltage supply to line voltage connection block or optional main disconnect switch (Note 2)                              |   | <ol style="list-style-type: none"> <li>1. Refer to specification sheet for Full Load Amps and Wire Sizing Amps.</li> <li>2. Field-supplied room unit main disconnect switch in accordance with local codes ordered as optional equipment and factory-installed in Liebert room unit.</li> <li>3. For remote unit shutdown, replace jumper between 37 &amp; 38 at terminal strip with Normally Closed switch having a minimum 75VA rating.</li> <li>4. Special alarm connection made by adding Normally Open contacts between Terminals 24 &amp; 50, 24 &amp; 51, 24 &amp; 55 and 24 &amp; 56. Only one alarm (between 24 &amp; 50) is available on standard microprocessor.</li> <li>5. Heat rejection interlock is not supplied on chilled water models.</li> <li>6. Field-supplied disconnect switch mounted within sight of condenser/drycooler and in accordance with local codes or ordered as optional equipment and factory-installed in Liebert condenser/drycooler. CDF-065, CDF-083, CDF-086, CDF-097 and CDF-104L are single-phase fan speed condensers. All other condensers and all drycooler and pump packages require a 3-phase line voltage supply.</li> <li>7. Glycol pump package supplied with drycoolers only. Pump 2 is supplied only when dual pump package is ordered.</li> <li>8. Lee-Temp tanks and assembly supplied on air-cooled condensers with Lee-Temp control systems only.</li> </ol> |
| Earth ground to ground lug bolt or optional ground bar  |   |  |
| 2-wire connection for remote unit shutdown (Note 3)   |   |  |
| 2-wire connection for each Special Alarm (Note 4)   |   |  |
| 2-wire connection optional SiteScan   |   |  |
| 4-pin plug connections for optional remote temperature and humidity sensor  |   |  |
| 2-wire connection for common alarm  |   |  |
| 2-wire connection for heat rejection interlock (Note 5)   |   |  |
| <b>Remote Heat Rejection Connections</b>  |   | <b>Wire Legend</b>   |
| 2-wire connection plus ground for Lee-Temp heater pads (Note 8)   | <p>Diagram is for direct drive air-cooled condensers (for air-cooled units) and direct drive drycoolers (for glycol/GLYCOOL units).</p> | <ul style="list-style-type: none"> <li> Factory-supplied line voltage wiring</li> <li> Field-supplied line voltage wiring</li> <li> Factory-supplied 24V, NEC Class 2 wiring</li> <li> Field-supplied 24V NEC Class 2 wiring</li> <li> Field-supplied earth grounding wire</li> </ul>  |
| 3- or single-phase line voltage supply to optional main disconnect switch (Note 6)  |   |  |
| Earth Ground  |   |  |
| 2-wire connection for heat rejection interlock  |   |  |
| 3-wire line voltage connection plus ground for glycol pump. An additional 3-wire line voltage needed for dual pump packages (Note 7). |   |  |

Interconnected

Figure 9 Electrical field connections



DPN000538 Rev1



**NOTE**

Refer to specification sheet for full load amp and wire size amp ratings.

## 2.6 Air Distribution Considerations

### 2.6.1 Raised-Floor Air Flow Distribution Considerations

To ensure proper air distribution, any unusual restrictions within the air circuit must be avoided. For under-floor air distribution, observe the following guidelines:

Select the air supply grilles and perforated panels for the raised floor to ensure minimum loss of pressure in the circuit. Air volume dampers on grilles, which extend several inches below the surface of the raised floor, are usually detrimental to airflow. Consideration of the height of the damper on the grille in conjunction with the floor height will determine whether this type of grille may be used.

The grilles used in raised floors vary in size, the largest being approximately 18" x 6" (457 x 152 mm). A larger grille size would be detrimental to the structural capacity of the raised floor panel. An 18" x 6" (457 x 152mm) heavy-duty pencil-proof type grille typically has 56 square inches (0.036m<sup>2</sup>) of free area. Perforated panels are available from various manufacturers of raised floors. These panels are usually 2' x 2' (610 x 610mm) square and have a nominal free area of approximately 108 to 144 square inches (0.07 to 0.09 m<sup>2</sup>). Use caution in selecting perforated panels as some manufacturers have only 36 to 40 square inches (0.023 to 0.026 m<sup>2</sup>) of free area, requiring four times as many panels.

Avoid floor elevations below 7-1/2" (190.5mm), loosely installed flooring systems, and below-floor obstructions such as: electrical wiring chases, unusually long computer system cables, or piping clusters.

All piping below the elevated floor must be located so that it offers the least resistance to air flow. Careful planning of the piping layout under the raised floor is required to prevent the air flow from being blocked. When installing piping on the subfloor, it is recommended that the pipes be mounted in a horizontal plane rather than stacked one above the other. Whenever possible, the pipes should be run parallel to the air flow.

Always check specifications of the floor supplier before specifying the total number of perforated panels and grilles required to handle the air flow. The proper specifications for grilles and perforated panels should indicate the total free area required for air delivery rather than the number of panels and grilles. (See **Table 5** below for recommended free area required for each model.) This table indicates the recommended free area based on having the supply air grilles and perforated panels sized to handle approximately 75% of the total cubic feet per minute (CFM) of the units at a velocity of 550 to 600 ft./min. (2.8 - 3.1 m/s). The remaining 25 percent of the air flow in the raised floor passes through cable cutouts, cracks between the panels and other leakage areas.

**Table 5 Recommended free area ft<sup>2</sup> (m<sup>2</sup> for grilles or perforated panels at output velocities of 550 and 600 fpm (2.8 and 3.1 m/s)**

| Model DH/DE or FH<br>60 (50) Hz |             |             | 550 fpm<br>(2.8 m/s) | 600 fpm<br>(3.1 m/s) |             |
|---------------------------------|-------------|-------------|----------------------|----------------------|-------------|
| Direct<br>Expansion<br>Units    | 75A         | 86W         | 72G                  | 4.6 (0.41)           | 4.2 (0.38)  |
|                                 | 114A (115A) | 122W (128W) | 110G (111G)          | 6.3 (0.57)           | 5.8 (0.52)  |
|                                 | 125A (130A) | 138W (143W) | 116G (121G)          | 7.7 (0.69)           | 7.1 (0.64)  |
|                                 | 199A        | 219W        | 192G                 | 11.5 (1.04)          | 10.5 (0.95) |
|                                 | 245A        | 267W        | 240G                 | 13.9 (1.25)          | 12.8 (1.15) |
|                                 | 290A        | 315W        | 265G                 | 16.4 (1.48)          | 15.0 (1.35) |
|                                 | 380A        | 412W        | 363G                 | 20.4 (1.84)          | 18.8 (1.70) |

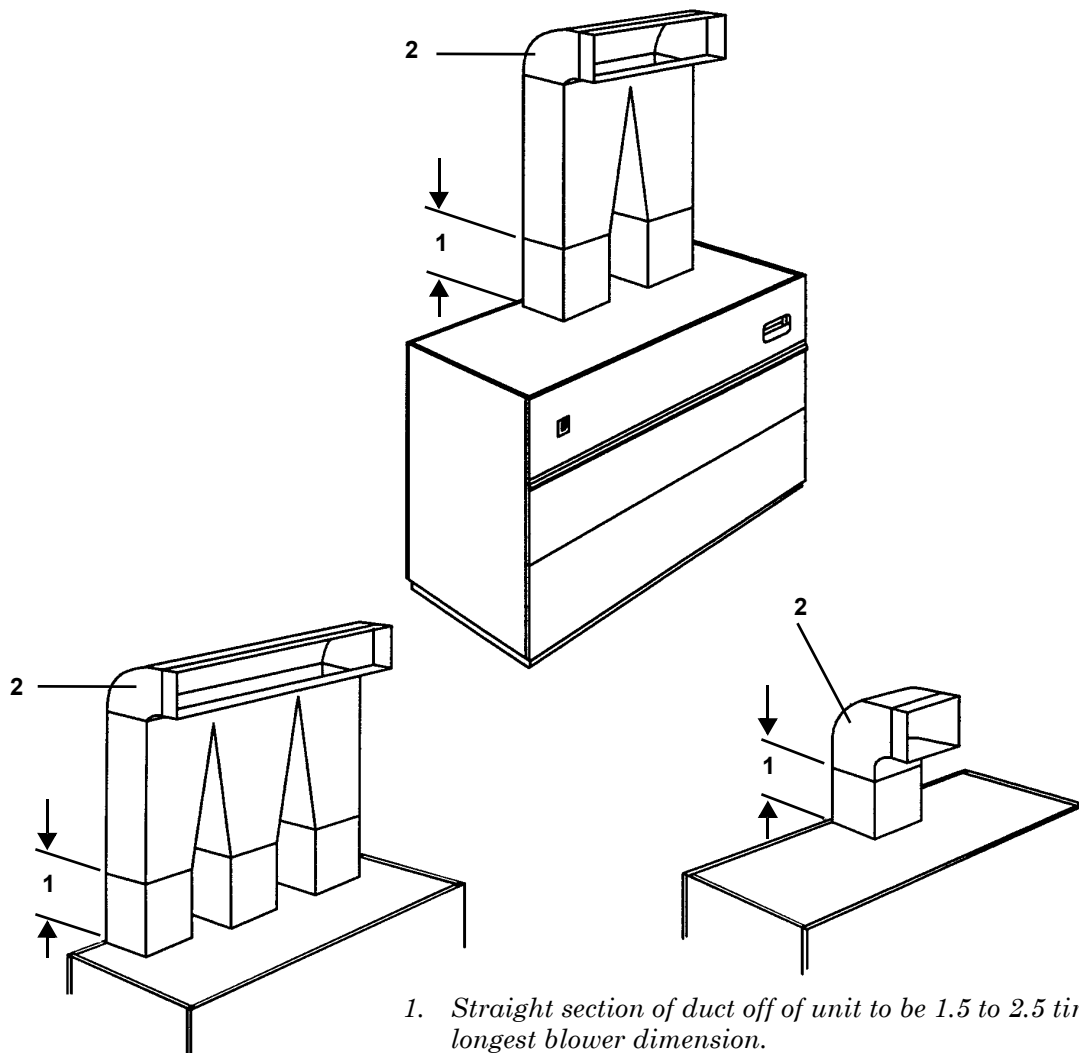
### 2.6.2 Upflow Systems Additional Installation Considerations

Upflow models can be configured in several different ways with front return, rear return, or bottom return and top front supply or top rear supply (on DX models). For in-room applications with no ductwork, and optional plenum with grill, proper clearance must be maintained on the return air side of the unit. For a front return, this means several feet in front of the unit. For a bottom return, at least 6-8 inches of unrestricted under-floor height is needed.

### 2.6.3 Ducted Application Installation

Duct flanges are supplied on the blower outlets. Follow the SWACNA-Duct Construction Standard for single-, dual-, or triple-blower systems. Do not run ductwork off the perimeter flange on the top of the unit. This flange is for positioning and attaching the optional air discharge plenum with grill. Attaching a duct to this flange may reduce airflow to inadequate levels.

Figure 10 Ducting configurations



1. Straight section of duct off of unit to be 1.5 to 2.5 times the longest blower dimension.
2. Typical ducting shown; may run to either side.

\* Follow standard practices on all duct work.

DPN000533 Rev0

### 2.6.4 Plenum Installation

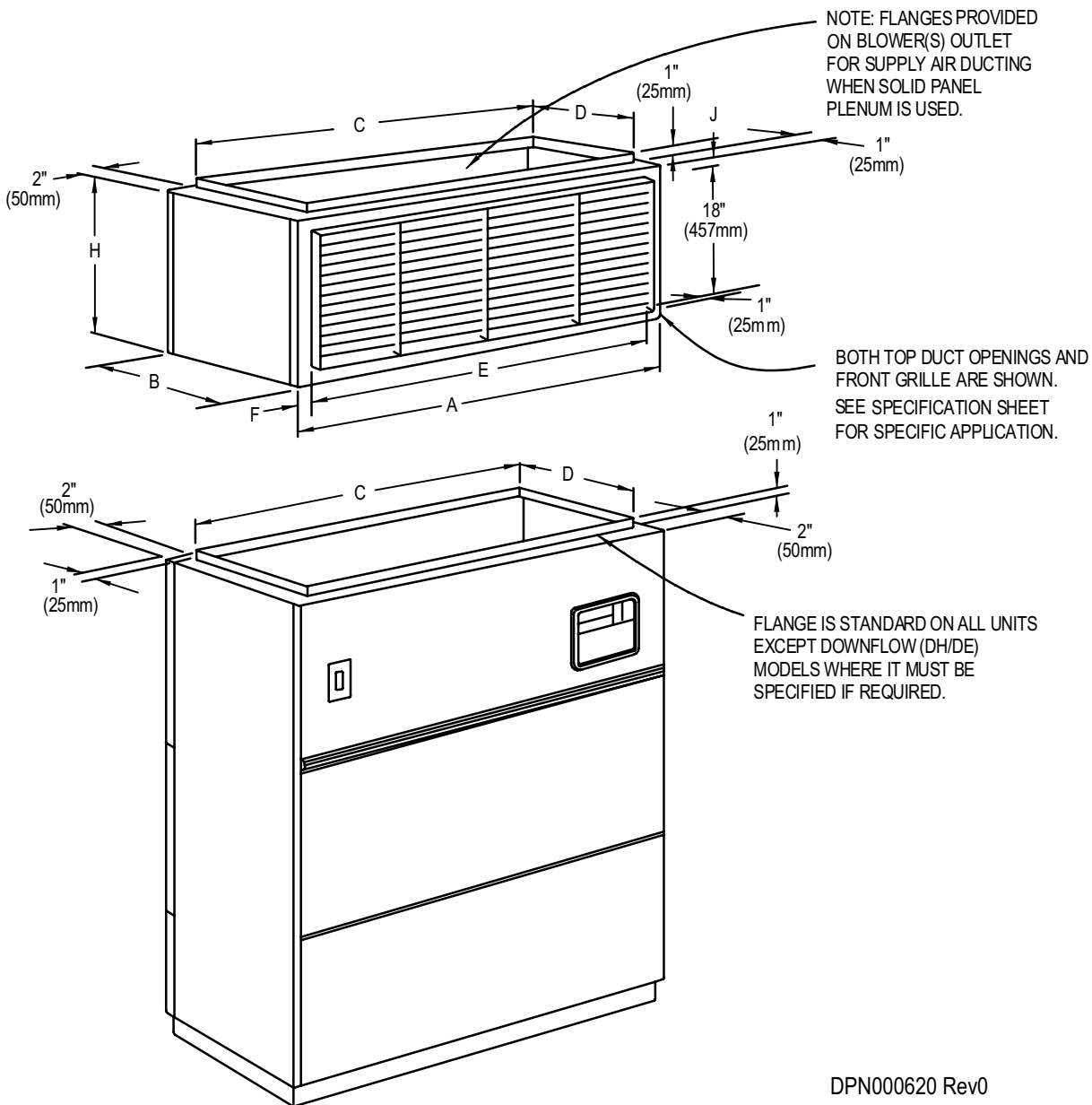
When installing the plenum to the top of system, secure the plenum to the unit flange using sheet metal screws.

### 2.6.5 Filter Box Installation

When installing the filter box to the back of the unit, secure the box to the unit using self tapping sheet metal screws. Seal around all edges with a silicone sealant to prevent air leakage.



Figure 11 Plenum dimensional data for 6 - 22 ton models



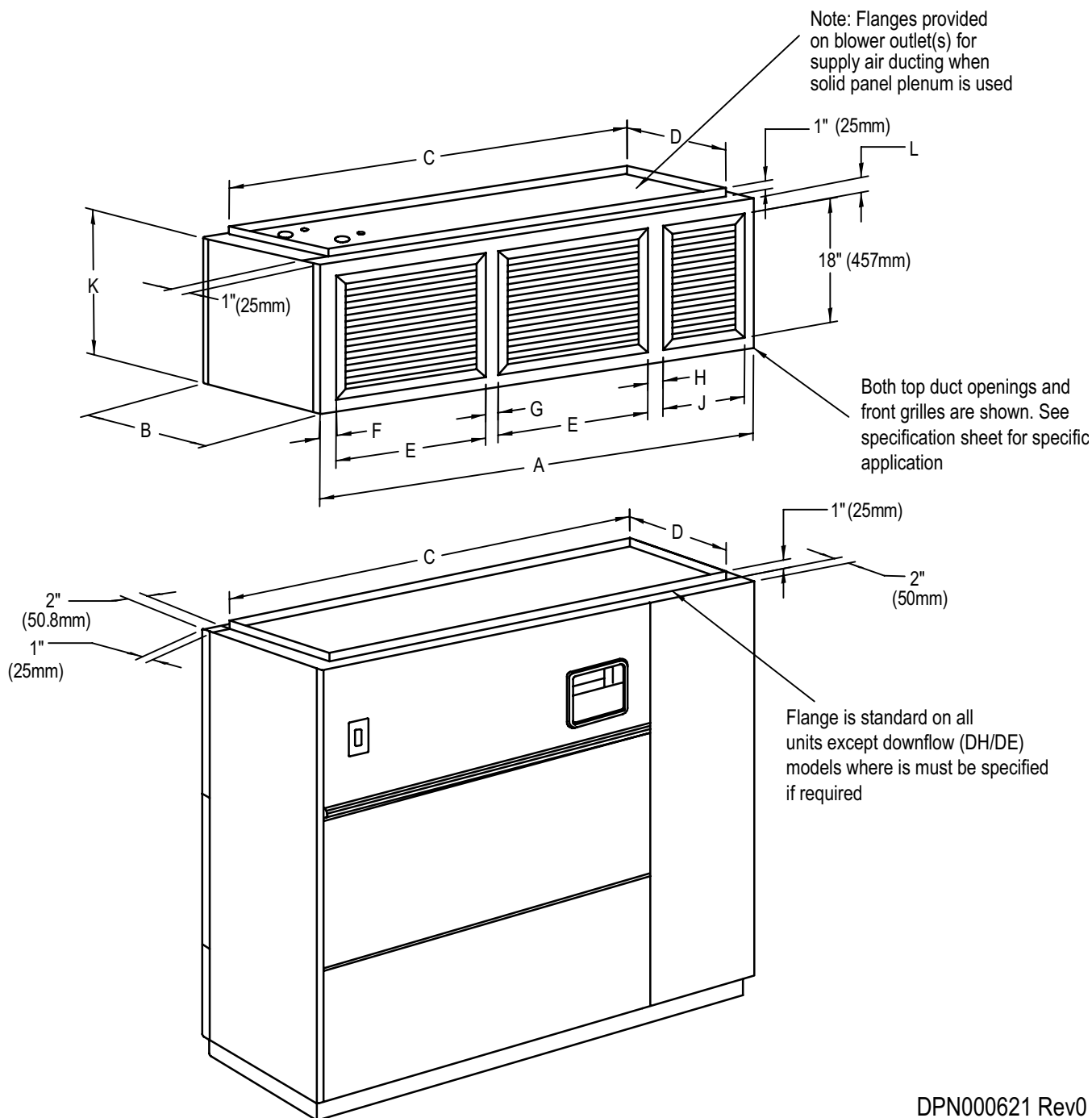
DPN000620 Rev0

Table 6 Plenum dimensional data for 6 - 22 ton models, in. (mm)

| Model   | A            | B           | C            | D           | E            | F               | Grille Free Area<br>Sq Ft (sq m) |
|---|--------------|-------------|--------------|-------------|--------------|-----------------|----------------------------------|
| DH/DE/VH/VE-75A, 86W, 72G<br>DH/DE/VH/VE-115A, 128W, 111G<br>DH/DE/VH/VE-114A, 127W, 110G<br>DH/DE/VH/VE-130A, 143W, 121G<br>DH/DE/VH/VE-125A, 138W, 116G | 74<br>(1880) | 34<br>(864) | 70<br>(1778) | 32<br>(813) | 60<br>(1524) | 7<br>(178)      | 5.85<br>(.54)                    |
| DH/DE/VH/VE-199A, 219W, 192G<br>DH/DE/VH/VE-245A, 267W, 240G<br>DH/VH/-290A, 315W, 265G   | 99<br>(2515) | 34<br>(864) | 95<br>(2413) | 32<br>(813) | 70<br>(1778) | 14-1/2<br>(368) | 6.83<br>(.63)                    |

| Plenum Height In. (mm) |            |
|------------------------|------------|
| H                      | J          |
| 20 (508)               | 1 (25)     |
| 22-3/4 (578)           | 2-3/8 (60) |
| 34-3/4 (883)           | 2-3/8 (60) |

Figure 12 Plenum dimensional data for 30 ton models



DPN000621 Rev0

Table 7 Plenum dimensional data for 30 ton models in. (mm)

| Model                           | A             | B           | C             | D           | E            | F             | G          | H          | J           | K           | L         | Grille Free Area<br>Sq Ft (sq m) |
|---------------------------------|---------------|-------------|---------------|-------------|--------------|---------------|------------|------------|-------------|-------------|-----------|----------------------------------|
| DH/DE/VH/VE-380A,<br>412W, 363G | 122<br>(3099) | 34<br>(864) | 118<br>(2997) | 32<br>(813) | 44<br>(1118) | 3-1/2<br>(89) | 4<br>(102) | 7<br>(178) | 16<br>(406) | 20<br>(508) | 1<br>(25) | 10.14<br>(.94)                   |

---

## 3.0 AIR COOLED MODELS

---

### 3.1 Condenser Location

#### 3.1.1 Outdoor Prop Fan Models

The air cooled condenser should be located for maximum security and maintenance accessibility. Avoid ground level sites with public access or areas that contribute to heavy snow or ice accumulations. Utilize centrifugal condensers whenever interior building locations must be used. To assure adequate air supply, Liebert recommends that condensers be located in a clean air area, away from loose dirt and foreign matter that may clog the coil. Condensers should not be located in the vicinity of steam, hot air or fume exhausts. Also, condensers should be located no closer than 3 feet (1 meter) from a wall, obstruction or adjacent unit.

Install condensers in a level position to assure proper refrigerant flow and oil return. For roof installation, mount condensers on steel supports in accordance with local codes. To minimize sound and vibration transmission, mount steel supports across load bearing walls.

For ground installation, a concrete pad will provide adequate support. Condenser legs have mounting holes for securing the condenser to steel supports or concrete pad.

#### 3.1.2 Indoor Piggyback Models

The piggyback condenser can be located directly behind the Deluxe unit or in a separate remote indoor location. It may be placed directly against an outside wall, with the proper openings cut in the wall for entering and leaving air. If it cannot be located near a wall, the unit may be ducted to the outside. Proper grilles/screens are required on the outside wall.

### 3.2 Electrical Connections

#### 3.2.1 High Voltage

High voltage electrical service is required for all air cooled condensers at the location of the condenser. This power supply does not have to be the same voltage as the indoor unit. This separate power source may be 208/230, 460 or 575V, 60Hz; or 200/230 or 380/415V, 50Hz. The disconnect switch may be factory supplied and mounted in the electrical panel or field supplied and mounted per local and national codes.

#### 3.2.2 Low Voltage

A control interlock between the condenser and the indoor unit is required and is connected between 70 and 71 on the wire raceway in the compressor compartment of the indoor unit and the electric panel of the air cooled condenser.

#### 3.2.3 Lee-Temp/Flood Back Head Pressure Control Condensers (Standard on Piggyback Models)

Lee-Temp condensers require a separate power supply for the heated receivers. This power supply is connected to the electrical connection box on the end of the receiver.

### 3.3 Refrigerant Piping

All refrigeration piping should be installed with high temperature brazed joints. Prevailing good refrigeration practices should be employed for piping supports, leak testing, dehydration and charging of the refrigeration circuits. The refrigeration piping should be isolated from the building by the use of vibration isolating supports. **Piping, including inverted trap(s), must be routed to allow unobstructed access to the panel per the NEC.**

Traps should be installed in the hot gas lines on vertical risers every 25 feet (7.6 meters) in elevation. These traps will collect condensed refrigerant and refrigerant oil during the off cycle of the unit and ensure flow of refrigerant oil during operation. Hot gas vertical risers may require downsizing of the line to provide for adequate refrigerant velocities to move oil up the riser. This is especially true on systems with unloaders.

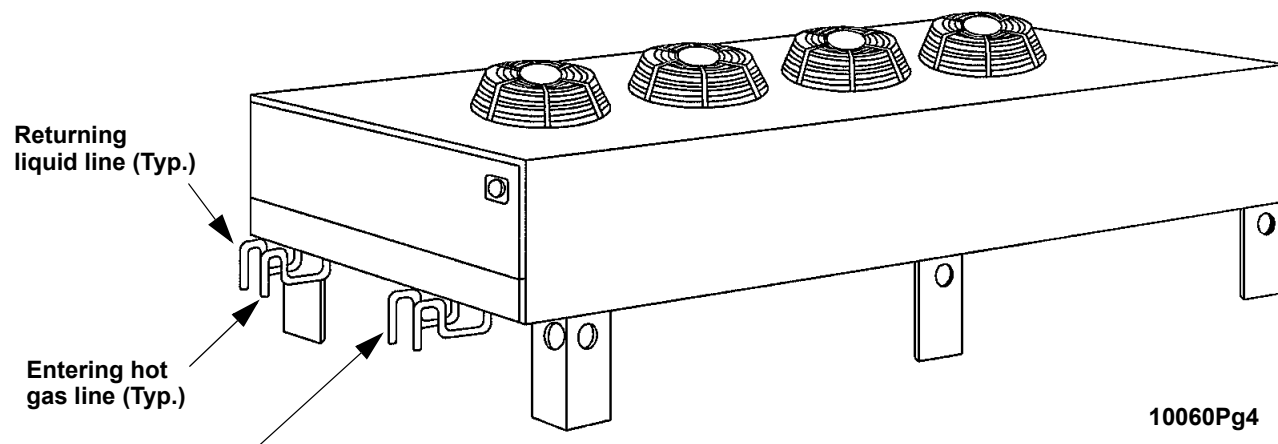
Contact your local Liebert representative for factory approval whenever a refrigerant piping run exceeds 200 feet (60 meters) equivalent length or when condensers must be located below the level of the cooling coil.

**Table 8 Recommended line sizes – O.D. copper**

|               | 75A          |           | 114A (115A)  |           | 125A (130A)  |           | 199A         |           | 245A         |           | 290A         |           | 380A         |           |
|---------------|--------------|-----------|--------------|-----------|--------------|-----------|--------------|-----------|--------------|-----------|--------------|-----------|--------------|-----------|
|               | Hot Gas Line | Liq. Line | Hot Gas Line | Liq. Line | Hot Gas Line | Liq. Line | Hot Gas Line | Liq. Line | Hot Gas Line | Liq. Line | Hot Gas Line | Liq. Line | Hot Gas Line | Liq. Line |
| 50 ft (15m)   | 5/8          | 1/2       | 7/8*         | 1/2       | 7/8*         | 1/2       | 7/8          | 5/8       | 1-1/8*       | 7/8       | 1-1/8        | 7/8       | 1-3/8        | 7/8       |
| 100 ft. (30m) | 7/8          | 1/2       | 7/8*         | 5/8       | 7/8          | 5/8       | 1-1/8*       | 7/8       | 1-1/8        | 7/8       | 1-1/8        | 7/8       | 1-3/8        | 7/8       |
| 150 ft. (45m) | 7/8          | 5/8       | 7/8          | 5/8       | 7/8          | 5/8       | 1-1/8        | 7/8       | 1-1/8        | 7/8       | 1-1/8        | 7/8       | 1-3/8        | 1-1/8     |

\*With 4-Step Models, use one (1) trade size smaller (7/8 = 3/4, 1-1/8 = 7/8).

Figure 13 Piping: Fan speed control condensers



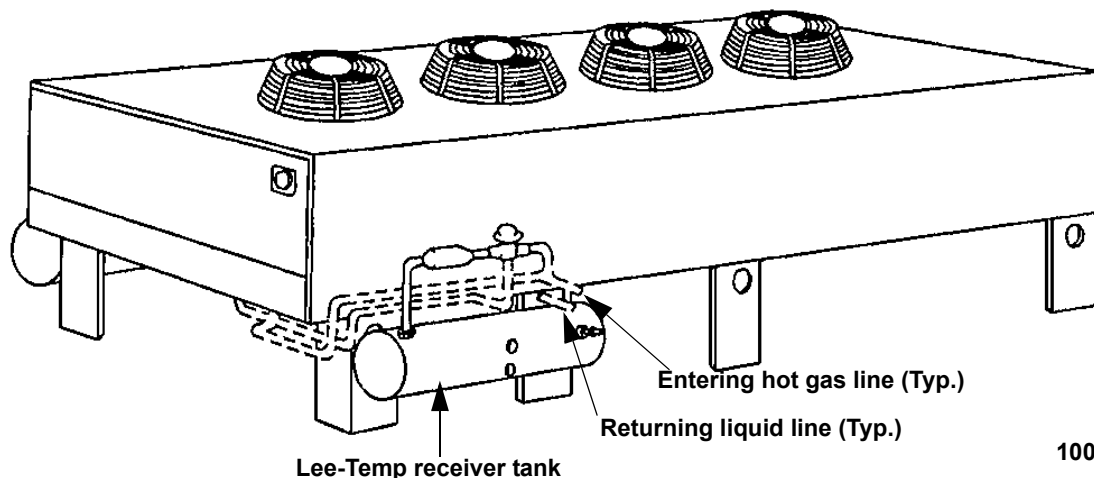
Inverted traps are to be field-supplied and installed (Typ.).  
When installing traps, clearance must be provided for  
swing of end access door. Traps are to extend above base  
of coil by a minimum of 7-1/2" (190mm).

Table 9 Fan speed control condenser piping connection sizes - Cu OD

| Condenser Model Number | Entering Hot Gas Line In. (mm) | Returning Liquid Line In. (mm) |
|------------------------|--------------------------------|--------------------------------|
| CDF-065                | 1/2 (12.7)                     | 1/2 (12.7)                     |
| CDF-083L               | 1/2 (12.7)                     | 1/2 (12.7)                     |
| CDF-086                | 7/8 (22.2)                     | 1/2 (12.7)                     |
| CDF-097/107C           | 7/8 (22.2)                     | 1/2 (12.7)                     |
| CDF-104L               | 7/8 (22.2)                     | 1/2 (12.7)                     |
| CDF-130                | 7/8 (22.2)                     | 5/8 (15.9)                     |
| CDF-165L               | 7/8 (22.2)                     | 5/8 (15.9)                     |
| CDF-175                | 7/8 (22.2)                     | 5/8 (15.9)                     |
| CDF-205L               | 1-1/8 (28.6)                   | 7/8 (22.2)                     |
| CDF-217C/216C          | 1-1/8 (28.6)                   | 7/8 (22.2)                     |
| CDF-251L               | 1-1/8 (28.6)                   | 7/8 (22.2)                     |
| CDF-258                | 1-1/8 (28.6)                   | 7/8 (22.2)                     |
| CDF-291                | 1-1/8 (28.6)                   | 1-1/8 (28.6)                   |
| CDF-308L               | 1-3/8 (34.9)                   | 1-1/8 (28.6)                   |
| CDF-330L               | 1-3/8 (34.9)                   | 1-1/8 (28.6)                   |
| CDF-360/349C           | 1-3/8 (34.9)                   | 1-1/8 (28.6)                   |
| CDF-415L               | 1-3/8 (34.9)                   | 1-1/8 (28.6)                   |
| CDF-480C               | 1-5/8 (41.3)                   | 1-1/8 (28.6)                   |
| CDF-510C               | 1-5/8 (41.3)                   | 1-1/8 (28.6)                   |

For runs longer than 150 feet (45.7m) equivalent length, consult factory for proper line sizing.

Figure 14 Piping: Lee-Temp control condensers



10061Pg6

Table 10 Lee-Temp control condenser piping connection sizes

| Condenser Connections-ODS<br>inches (mm) |              |              | Lee-Temp<br>Size | Lee-Temp Connections-ODS<br>inches (mm) |                        |                   |
|--|--------------|--------------|------------------|---|------------------------|-------------------|
| Model #                                  | Hot Gas A    | Liquid B     |                  | Hot Gas<br>Tee F                        | Liq. to L-T<br>Valve C | Receiver<br>Out D |
| CDL-065                                  | 1/2 (12.7)   | 1/2 (12.7)   | (2) W-4          | 1-1/8 (28.6)                            | 7/8 (22.2)             | 5/8 (15.9)        |
| CDL-083L                                 | 1/2 (12.7)   | 1/2 (12.7)   | (2) W-4          | 1-1/8 (28.6)                            | 7/8 (22.2)             | 5/8 (15.9)        |
| CDL-086                                  | 7/8 (22.2)   | 1/2 (12.7)   | (2) W-4          | 1-1/8 (28.6)                            | 7/8 (22.2)             | 5/8 (15.9)        |
| CDL-097                                  | 7/8 (22.2)   | 1/2 (12.7)   | (2) W-4          | 1-1/8 (28.6)                            | 7/8 (22.2)             | 5/8 (15.9)        |
| CDL-104L                                 | 7/8 (22.2)   | 1/2 (12.7)   | (2) W-4          | 1-1/8 (28.6)                            | 7/8 (22.2)             | 5/8 (15.9)        |
| CDL-130                                  | 7/8 (22.2)   | 5/8 (15.9)   | (2) W-4          | 1-1/8 (28.6)                            | 7/8 (22.2)             | 5/8 (15.9)        |
| CDL-165                                  | 7/8 (22.2)   | 5/8 (15.9)   | (2) W-4          | 1-1/8 (28.6)                            | 7/8 (22.2)             | 5/8 (15.9)        |
| CDL-175                                  | 7/8 (22.2)   | 5/8 (15.9)   | (2) W-4          | 1-1/8 (28.6)                            | 7/8 (22.2)             | 5/8 (15.9)        |
| CDL-205L                                 | 1-1/8 (28.6) | 7/8 (22.2)   | (2) W-4          | 1-1/8 (28.6)                            | 7/8 (22.2)             | 5/8 (15.9)        |
| CDL-217C                                 | 1-1/8 (28.6) | 7/8 (22.2)   | (2) W-5          | 1-3/8 (34.9)                            | 7/8 (22.2)             | 7/8 (22.2)        |
| CDL-251L                                 | 1-1/8 (28.6) | 7/8 (22.2)   | (2) W-4          | 1-3/8 (34.9)                            | 7/8 (22.2)             | 7/8 (22.2)        |
| CDL-258                                  | 1-1/8 (28.6) | 7/8 (22.2)   | (2) W-5          | 1-3/8 (34.9)                            | 7/8 (22.2)             | 7/8 (22.2)        |
| CDL-291                                  | 1-1/8 (28.6) | 5/8 (15.9)   | (2) W-5          | 1-3/8 (34.9)                            | 7/8 (22.2)             | 7/8 (22.2)        |
| CDL-308L                                 | 1-3/8 (34.9) | 1-1/8 (28.6) | (2) W-5          | 1-3/8 (34.9)                            | 7/8 (22.2)             | 7/8 (22.2)        |
| CDL-330L                                 | 1-3/8 (34.9) | 1-1/8 (28.6) | (2) W-5          | 1-3/8 (34.9)                            | 7/8 (22.2)             | 7/8 (22.2)        |
| CDL-360                                  | 1-3/8 (34.9) | 1-1/8 (28.6) | (2) W-5          | 1-3/8 (34.9)                            | 7/8 (22.2)             | 7/8 (22.2)        |
| CDL-415L                                 | 1-3/8 (34.9) | 1-1/8 (28.6) | (2) W-5          | 1-3/8 (34.9)                            | 7/8 (22.2)             | 7/8 (22.2)        |
| CDL-480C                                 | 1-5/8 (41.3) | 1-1/8 (28.6) | (2) W-6          | 1-3/8 (34.9)                            | 1-1/8 (28.6)           | 7/8 (22.2)        |
| CDL-510C                                 | 1-5/8 (41.3) | 1-1/8 (28.6) | (2) W-41         | 1-3/8 (34.9)                            | 1-1/8 (28.6)           | 7/8 (22.2)        |

For runs longer than 150 feet (45.7m) equivalent length, consult factory for proper line sizing.

Figure 15 Downflow air cooled (DH) piping connections

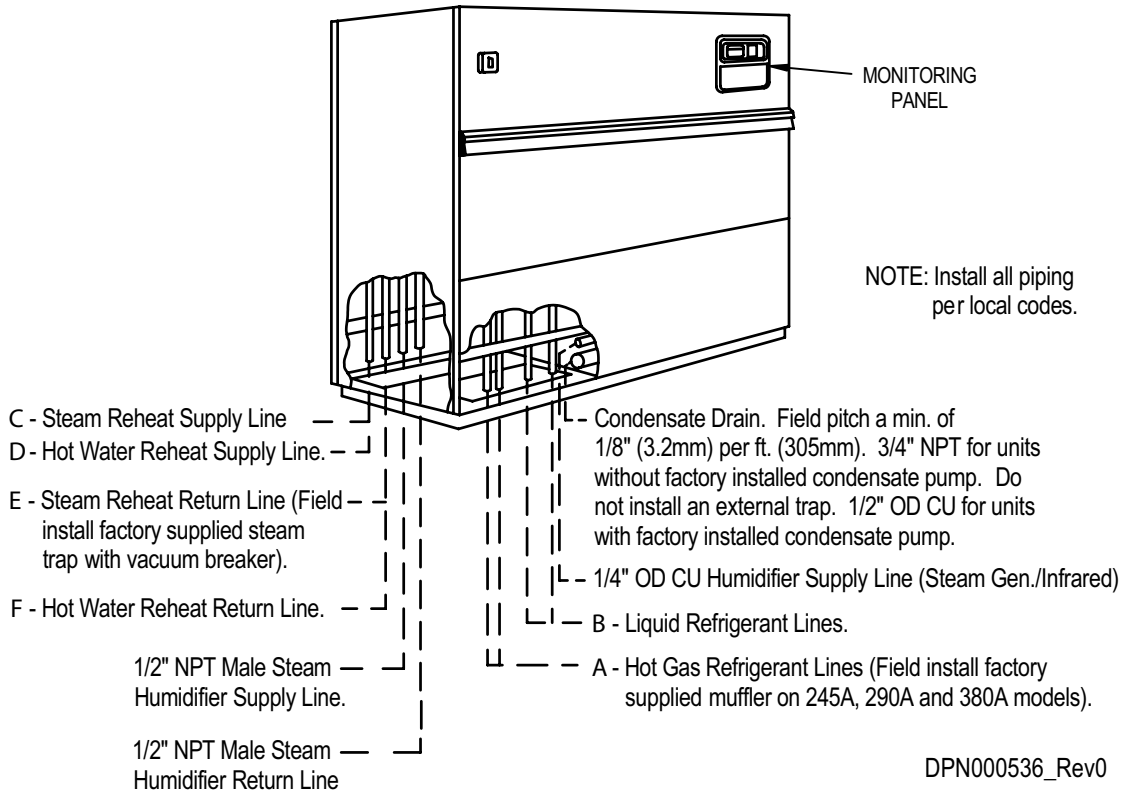


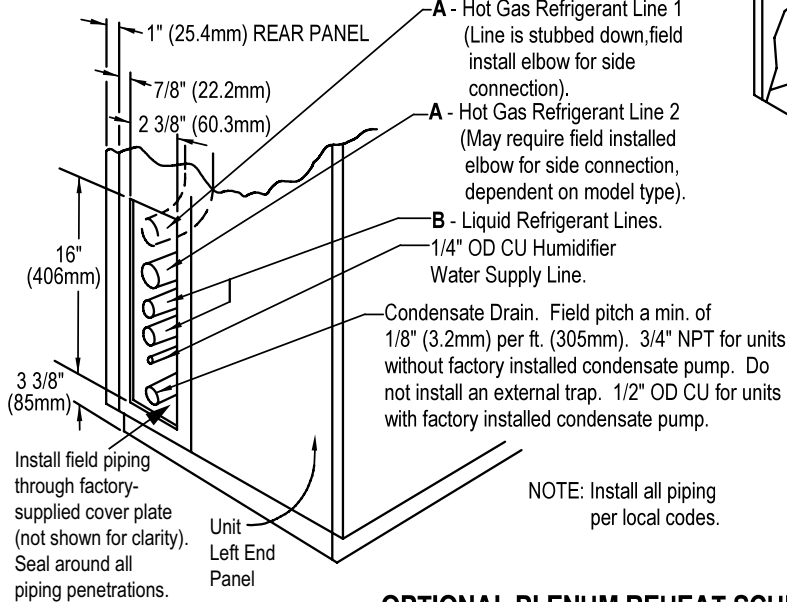
Table 11 Downflow air cooled (DH) piping connection sizes, inches

| Air Cooled Models<br>60 Hz (50 Hz) | A<br>(AO Cu) | B<br>(OD Cu) | C<br>(NPT Male) | D<br>(OD Cu) | E<br>(NPT Male) | F<br>(OD Cu) |
|------------------------------------|--------------|--------------|-----------------|--------------|-----------------|--------------|
| DH075A (DH075A)                    | 5/8          | 1/2          | 1/2             | 5/8          | 1/2             | 5/8          |
| DH114A (DH115A)                    | 5/8          | 1/2          | 1/2             | 5/8          | 1/2             | 5/8          |
| DH125A (DH130A)                    | 5/8          | 1/2          | 1/2             | 5/8          | 1/2             | 5/8          |
| DH199A (DH199A)                    | 7/8          | 1/2          | 3/4             | 7/8          | 3/4             | 7/8          |
| DH245A (DH245A)                    | 1-1/8        | 5/8          | 3/4             | 7/8          | 3/4             | 7/8          |
| DH290A (DH290A)                    | 1-1/8        | 5/8          | NA              | NA           | NA              | NA           |
| DH380A (DH380A)                    | 1-1/8        | 5/8          | NA              | NA           | NA              | NA           |

**Figure 16 Upflow air cooled (VH) piping connections**

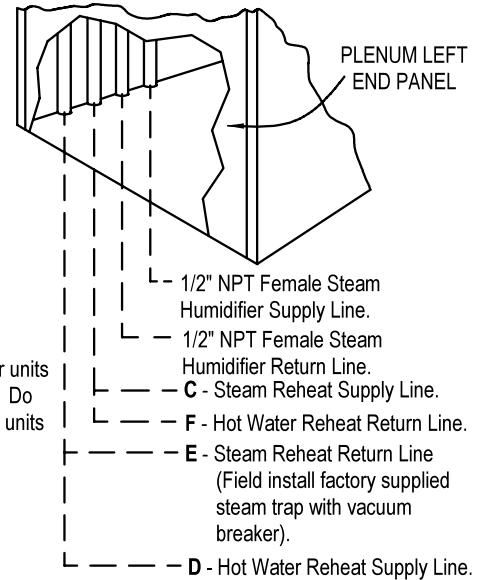
**UNIT CONNECTION LOCATIONS**

Piping stubbed out inside unit end compartment for field connection through 2 3/8" x 16" (60.3 x 406mm) opening as shown. Piping is recessed inside the unit and not flush as indicated. Piping may also exit through bottom of end compartment by field cutting an opening in a suitable location (except bottom return air units).

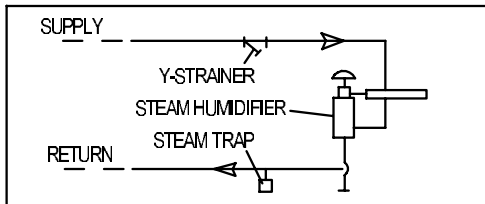


**PLENUM CONNECTION LOCATIONS**

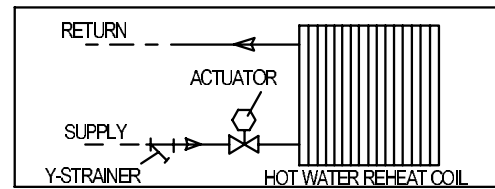
For separate steam or hot water plenum UPFLOW (VH) units, piping may exit through bottom, top or sides by field cutting an opening in a suitable location.



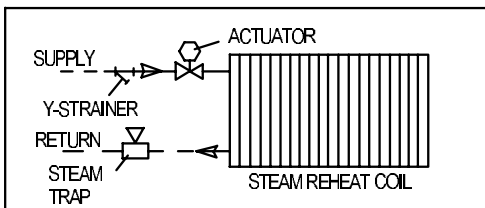
**OPTIONAL PLENUM REHEAT SCHEMATICS**



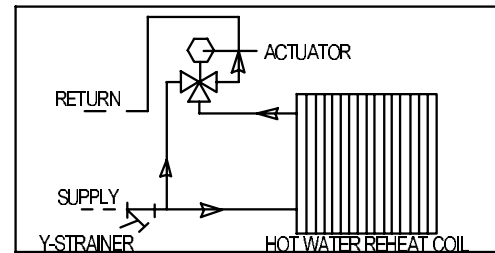
**OPTIONAL STEAM HUMIDIFIER**



**OPTIONAL HOT WATER REHEAT (2-WAY VALVE)**



**OPTIONAL STEAM REHEAT**



**OPTIONAL HOT WATER REHEAT (3-WAY VALVE)**

DPN000537 Rev0

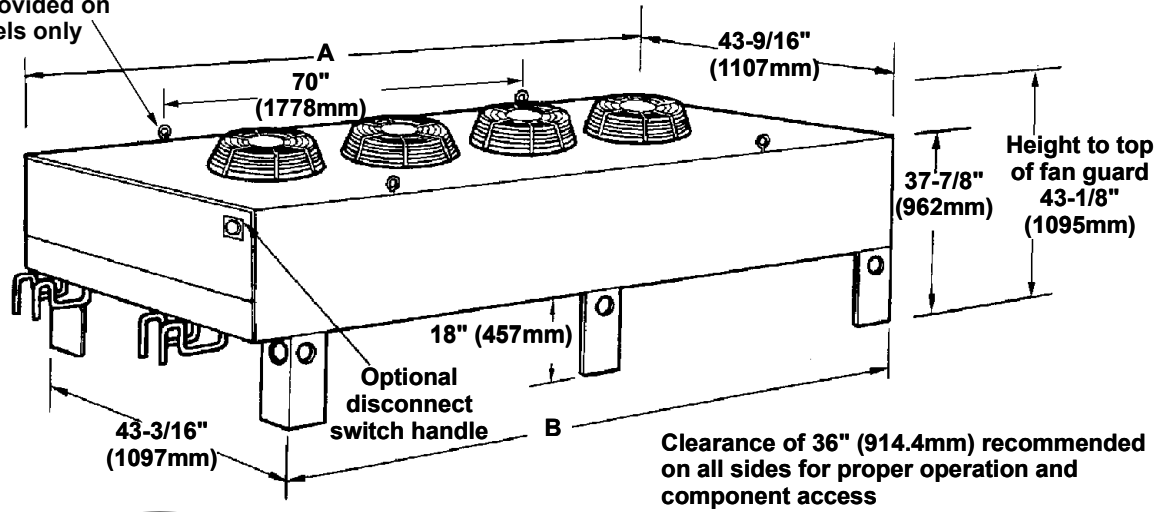
**Table 12 Factory provided piping connection sizes, inches, upflow air cooled (VH)**

| Air Cooled Models |         | A     | B     | C          | D     | E          | F     |
|-------------------|---------|-------|-------|------------|-------|------------|-------|
| 50Hz              | 60Hz    | OD Cu | OD Cu | NPT Female | OD Cu | NPT Female | OD Cu |
| VH-075A           | VH-075A | 5/8   | 1/2   | 1/2        | 5/8   | 1/2        | 5/8   |
| VH-115A           | VH-114A | 5/8   | 1/2   | 1/2        | 5/8   | 1/2        | 5/8   |
| VH-130A           | VH-125A | 5/8   | 1/2   | 1/2        | 5/8   | 1/2        | 5/8   |
| VH-199A           | VH-199A | 7/8   | 1/2   | 3/4        | 7/8   | 3/4        | 7/8   |
| VH-245A           | VH-245A | 1 1/8 | 5/8   | 3/4        | 7/8   | 3/4        | 7/8   |
| VH-290A           | VH-290A | 1-1/8 | 5/8   | NA         | NA    | NA         | NA    |
| VH-380A           | VH-380A | 1-1/8 | 5/8   | NA         | NA    | NA         | NA    |

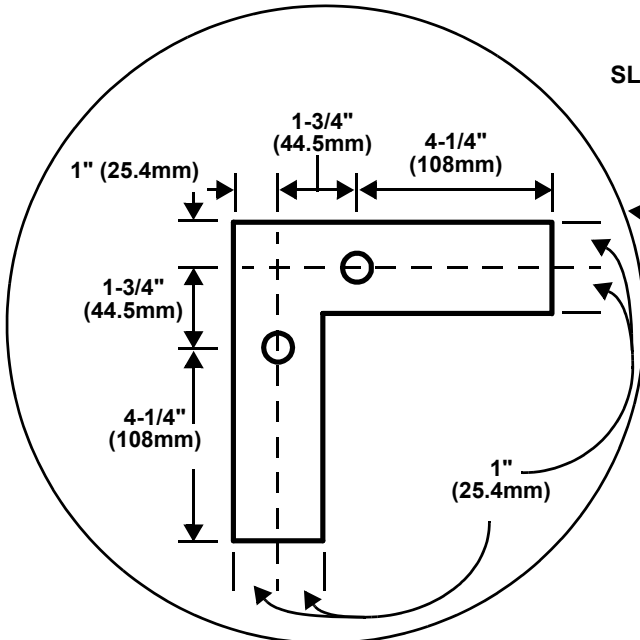


Figure 17 Outdoor air cooled 1-4 fan condenser cabinet and anchor dimensional data

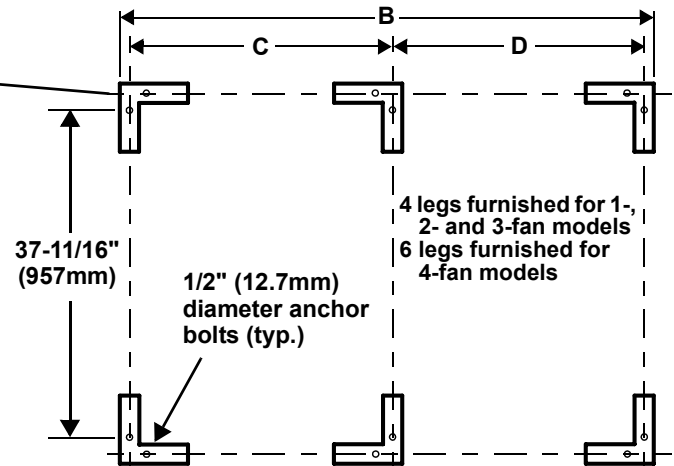
Eyebolts for lifting condenser provided on four-fan models only



SL-18200-03-01



TYPICAL FOOTPRINT  
Condenser Physical data



UNIT ANCHOR PLAN

DPN000701 Rev0

Table 13 Outdoor air cooled 1-4 fan condenser physical data

| Model<br>CSF/CDF <sup>1</sup> | # of<br>Fans | A                 | B             | C             | D            | Total Heat<br>Rejection 60 Hz <sup>3</sup> |       | CFM<br>(l/s)<br>60 Hz <sup>2</sup> | Total Heat<br>Rejection 50 Hz <sup>3</sup> |       | CFM<br>(l/s)<br>50 Hz <sup>2</sup> | Net<br>Weight<br>lb (kg) |
|-------------------------------|--------------|-------------------|---------------|---------------|--------------|--|-------|------------------------------------|--|-------|------------------------------------|--------------------------|
|                               |              | in. (mm)          | in. (mm)      | in. (mm)      | in. (mm)     | BTU/H/°F                                   | kW/°C |                                    | BTU/H/°F                                   | kW/°C |                                    |                          |
| -065                          | 1            | 51-1/2<br>(1308)  | 44<br>(1118)  | 42<br>(1067)  | –            | 1464                                       | .772  | 6866<br>(3240)                     | 1349                                       | .712  | 5722<br>(2700)                     | 295<br>(134)             |
| -083L                         | 1            | 51-1/2<br>(1308)  | 44<br>(1118)  | 42<br>(1067)  | –            | 1655                                       | .873  | 6000<br>(2831)                     | 1526                                       | .805  | 5000<br>(2359)                     | 295<br>(134)             |
| -086                          | 1            | 51-1/2<br>(1308)  | 44<br>(1118)  | 42<br>(1067)  | –            | 1921                                       | 1.013 | 6633<br>(3130)                     | 1751                                       | .924  | 5527<br>(2608)                     | 315<br>(143)             |
| -097                          | 1            | 51-1/2<br>(1308)  | 44<br>(1118)  | 42<br>(1067)  | –            | 2228                                       | 1.176 | 6322<br>(2983)                     | 1995                                       | 1.053 | 5268<br>(2486)                     | 335<br>(152)             |
| -104L                         | 1            | 51-1/2<br>(1308)  | 44<br>(1118)  | 42<br>(1067)  | –            | 1945                                       | 1.026 | 5400<br>(2548)                     | 1733                                       | .914  | 4500<br>(2123)                     | 315<br>(143)             |
| -107C                         | 1            | 51-1/2<br>(1308)  | 44<br>(1118)  | 42<br>(1067)  | –            | 1938                                       | 1.022 | 6322<br>(2984)                     | 1750                                       | .923  | 5265<br>(2485)                     | 420<br>(191)             |
| -130                          | 2            | 91-1/2<br>(2324)  | 84<br>(2134)  | 82<br>(2083)  | –            | 2928                                       | 1.545 | 13732<br>(6480)                    | 2698                                       | 1.423 | 11443<br>(5400)                    | 425<br>(193)             |
| -165L                         | 2            | 91-1/2<br>(2324)  | 84<br>(2134)  | 82<br>(2083)  | –            | 3310                                       | 1.746 | 12000<br>(5663)                    | 3051                                       | 1.610 | 10000<br>(4719)                    | 425<br>(193)             |
| -175                          | 2            | 91-1/2<br>(2324)  | 84<br>(2134)  | 82<br>(2083)  | –            | 3842                                       | 2.027 | 13266<br>(6260)                    | 3502                                       | 1.847 | 11055<br>(5217)                    | 495<br>(225)             |
| -205L                         | 2            | 91-1/2<br>(2324)  | 84<br>(2134)  | 82<br>(2083)  | –            | 3976                                       | 2.098 | 10443<br>(4928)                    | 3509                                       | 1.851 | 8703<br>(4107)                     | 495<br>(225)             |
| -216C                         | 2            | 91-1/2<br>(2324)  | 84<br>(2134)  | 82<br>(2083)  | –            | 4324                                       | 2.281 | 12176<br>(5747)                    | 3836                                       | 2.023 | 10132<br>(4782)                    | 655<br>(297)             |
| -217C                         | 2            | 91-1/2<br>(2324)  | 84<br>(2134)  | 82<br>(2083)  | –            | 4721                                       | 2.491 | 12644<br>(5967)                    | 4204                                       | 2.218 | 10537<br>(4972)                    | 515<br>(234)             |
| -251L                         | 3            | 131-1/2<br>(3340) | 124<br>(3150) | 122<br>(3099) | –            | 4965                                       | 2.619 | 18000<br>(8494)                    | 4577                                       | 2.415 | 15000<br>(7078)                    | 500<br>(227)             |
| -258                          | 3            | 131-1/2<br>(3340) | 124<br>(3150) | 122<br>(3099) | –            | 5763                                       | 3.040 | 19899<br>(9390)                    | 5252                                       | 2.771 | 16582<br>(7825)                    | 670<br>(305)             |
| -291                          | 3            | 131-1/2<br>(3340) | 124<br>(3150) | 122<br>(3099) | –            | 6685                                       | 3.527 | 18966<br>(8950)                    | 5986                                       | 3.158 | 15805<br>(7458)                    | 741<br>(337)             |
| -308L                         | 3            | 131-1/2<br>(3340) | 124<br>(3150) | 122<br>(3099) | –            | 5664                                       | 2.988 | 15665<br>(7392)                    | 5264                                       | 2.777 | 13054<br>(6160)                    | 670<br>(305)             |
| -330L                         | 4            | 171-1/2<br>(4356) | 164<br>(4166) | 82<br>(2083)  | 80<br>(2032) | 6619                                       | 3.492 | 24000<br>(11326)                   | 6103                                       | 3.220 | 20000<br>(9438)                    | 780<br>(355)             |
| -349C                         | 3            | 131-1/2<br>(3340) | 124<br>(3150) | 122<br>(3099) | –            | 6984                                       | 3.684 | 17397<br>(8211)                    | 6174                                       | 3.256 | 14532<br>(6859)                    | 916<br>(415)             |
| -415L                         | 4            | 171-1/2<br>(4356) | 164<br>(4166) | 82<br>(2083)  | 80<br>(2032) | 7779                                       | 4.104 | 21600<br>(10193)                   | 6932                                       | 3.657 | 18000<br>(8494)                    | 815<br>(370)             |
| -480C                         | 4            | 171-1/2<br>(4356) | 164<br>(4166) | 82<br>(2083)  | 80<br>(2032) | 8915                                       | 4.703 | 25288<br>(11933)                   | 7981                                       | 4.211 | 21073<br>(9944)                    | 1025<br>(466)            |
| -510C                         | 4            | 171-1/2<br>(4356) | 164<br>(4166) | 82<br>(2083)  | 80<br>(2032) | 10086                                      | 5.321 | 21687<br>(10234)                   | 8763                                       | 4.623 | 18072<br>(8528)                    | 1188<br>(540)            |

1. CSF model prefix is for single refrigeration circuit. CDF model prefix is for dual refrigeration circuits.

2. All condenser fan motors are 3/4 HP.

3. Total Heat Rejection given above is per circuit for CDF models. For CSF models double the capacity shown. The Total Heat Rejection is for each degree differential between saturated condensing temperature and entering ambient air temperature. To calculate Total Heat Rejection per condenser, multiply table value by temperature differential.

Figure 18 Outdoor air cooled 6 and 8 fan condenser cabinet and anchor dimensional data

NOTE: Refer to sheet 10067 Pg. 4 for connection sizes

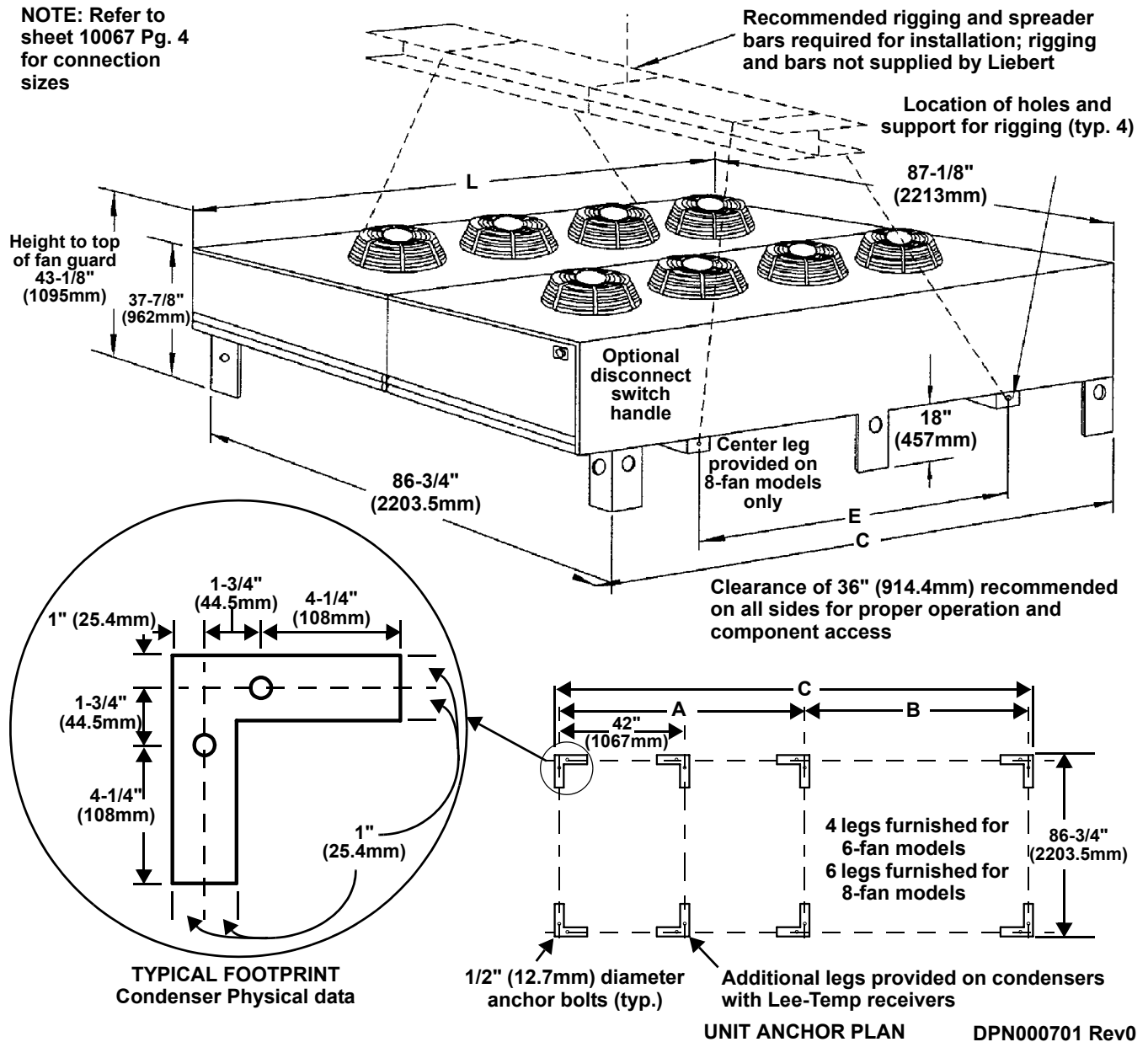
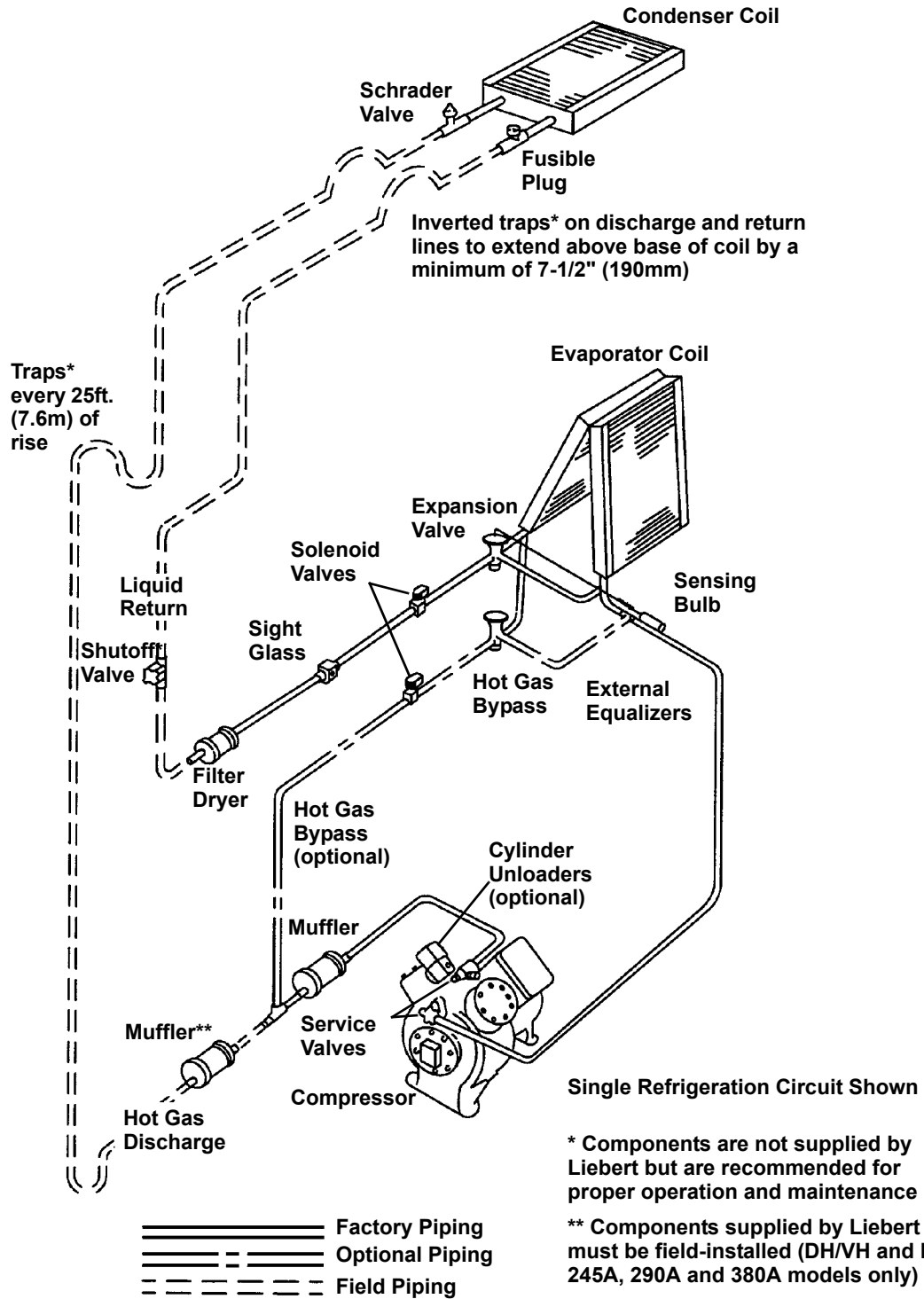


Table 14 Outdoor air cooled 6 and 8 fan condenser physical data

| Model  | # of Fans | A             | B            | C             | E            | L                 | CFM (l/s)<br>60 Hz | THR 60 Hz.<br>BTU/hr (kw) | CFM (l/s)<br>50 Hz | THR 50 Hz<br>BTU/hr (kW) | Net Weight<br>lb (kg) |
|--------|-----------|---------------|--------------|---------------|--------------|-------------------|--------------------|---------------------------|--------------------|--------------------------|-----------------------|
|        |           | in (mm)       | in (mm)      | in (mm)       | in (mm)      | in (mm)           |                    |                           |                    |                          |                       |
| -616L  | 6         | 122<br>(3099) | —            | 124<br>(3150) | 59<br>(1499) | 131-1/2<br>(3340) | 31330<br>(14785)   | 23854<br>(12.6)           | 26108<br>(12320)   | 21056<br>(11.2)          | 1380<br>(627)         |
| -660L  | 8         | 82<br>(2083)  | 80<br>(2032) | 164<br>(4166) | 70<br>(1778) | 171-1/2<br>(4356) | 48000<br>(22651)   | 26478<br>(14.0)           | 40000<br>(18875)   | 24412<br>(12.8)          | 1600<br>(727)         |
| -830L  | 8         | 82<br>(2083)  | 80<br>(2032) | 164<br>(4166) | 70<br>(1778) | 171-1/2<br>(4356) | 43200<br>(20386)   | 31114<br>(16.4)           | 36000<br>(16988)   | 27366<br>(14.6)          | 1670<br>(759)         |
| -960C  | 8         | 82<br>(2083)  | 80<br>(2032) | 164<br>(4166) | 70<br>(1778) | 171-1/2<br>(4356) | 50576<br>(23876)   | 35660<br>(18.8)           | 42146<br>(19888)   | 31926<br>(16.8)          | 2090<br>(950)         |
| -1010C | 8         | 82<br>(2083)  | 80<br>(2032) | 164<br>(4166) | 70<br>(1778) | 171-1/2<br>(4356) | 43400<br>(20485)   | 40344<br>(21.3)           | 36167<br>(17070)   | 35050<br>(18.5)          | 2640<br>(1198)        |

THR - Total Heat Rejection, 1°F TD, for Total Condenser  
 THR - Total Heat Rejection, 1°C TD, for Total Condenser (50 Hz)

Figure 19 Air cooled model general arrangement diagram



DPN000525 Rev0



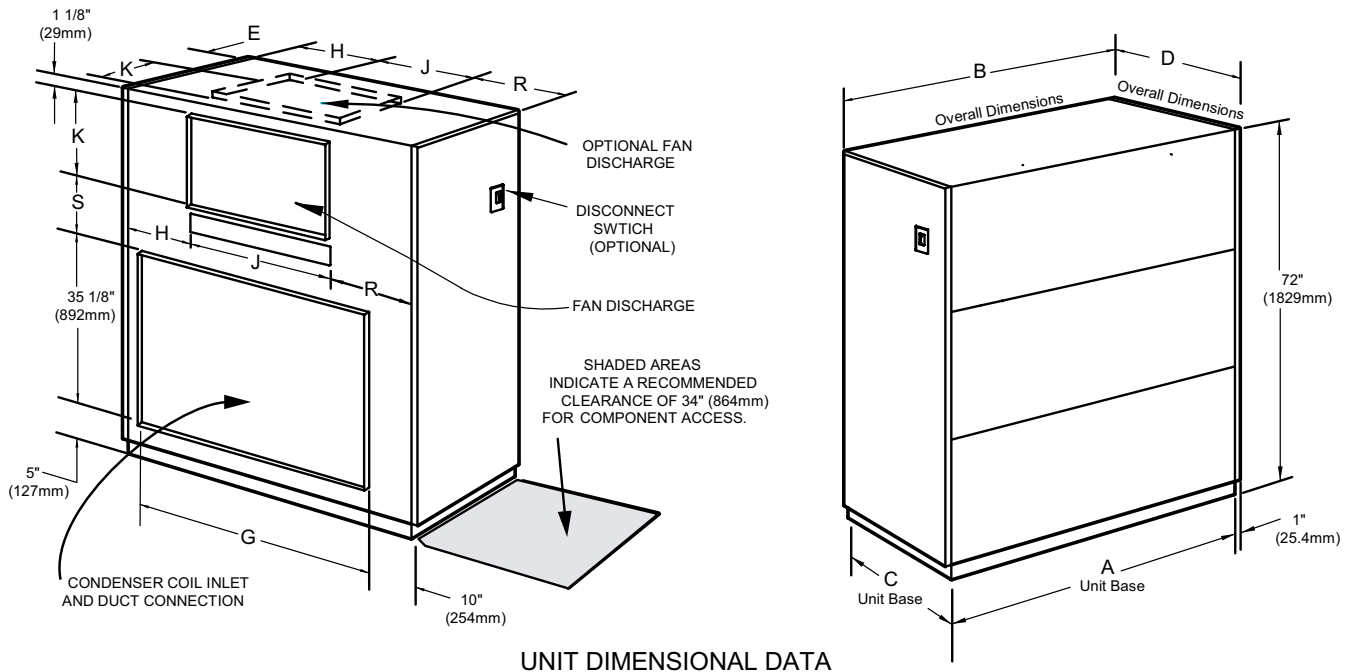
**NOTE**

Two refrigeration circuits required - Single circuit shown only for clarity

Table 15 Refrigerant control settings psi (kPa)

| Model             | Refrigerant Type | Low Pressure Cut Out | Low Pressure Cut In | High Pressure Cut Out |
|-------------------|------------------|----------------------|---------------------|-----------------------|
| Fan Speed Control | R-22             | 15 (103.4)           | 35 (241.3)          | 360 (2482)            |
| Lee-Temp          | R-22             | 20 (137.9)           | 65 (448.2)          | 360 (2482)            |

Figure 20 Piggyback condenser cabinet and floor planning dimensional data



UNIT DIMENSIONAL DATA

- FAN DISCHARGE DATA
- REAR DISCHARGE
  - OPTIONAL TOP DISCHARGE

FLOOR CUTOUT DIMENSIONS

SL10063Page5



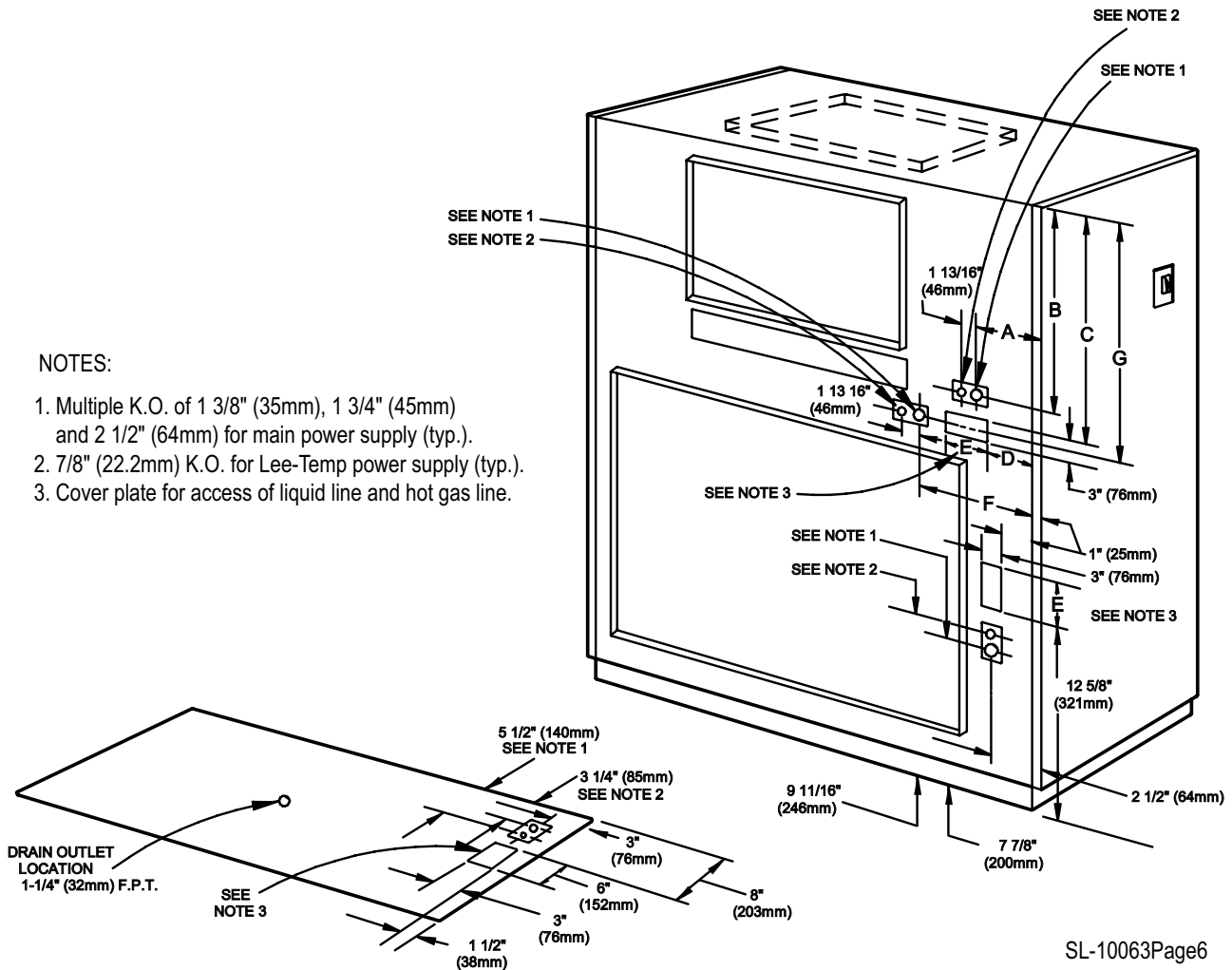
NOTE

A 1" (25.4mm) flange is provided on all units for duct connection to coil duct opening and fan air discharge opening.

Table 16 Piggyback condenser dimensional data

| Model   | Dimensional Data in. (mm) |              |             |             |               |                  |              |                  |                   |                  |                   |                   | Shipping Weight lb (kg) |
|---------|---------------------------|--------------|-------------|-------------|---------------|------------------|--------------|------------------|-------------------|------------------|-------------------|-------------------|-------------------------|
|         | A                         | B            | C           | D           | E             | F                | G            | H                | J                 | K                | R                 | S                 |                         |
| PB350A  | 72<br>(1829)              | 74<br>(1880) | 31<br>(787) | 32<br>(813) | 1-1/8<br>(29) | 33<br>(838)      | 60<br>(1524) | 8-5/8<br>(219)   | 50-3/16<br>(1275) | 16-1/16<br>(408) | 13-3/16<br>(335)  | 14-11/16<br>(373) | 1180<br>(535)           |
| PB550A  | 72<br>(1829)              | 74<br>(1880) | 31<br>(787) | 32<br>(813) | 1-1/8<br>(29) | 33<br>(838)      | 60<br>(1524) | 8-5/8<br>(219)   | 50-3/16<br>(1275) | 16-1/16<br>(408) | 13-3/16<br>(335)  | 14-11/16<br>(373) | 1180<br>(535)           |
| PB675A  | 72<br>(1829)              | 74<br>(1880) | 31<br>(787) | 32<br>(813) | 1-1/8<br>(29) | 33<br>(838)      | 60<br>(1524) | 8-5/8<br>(219)   | 50-3/16<br>(1275) | 16-1/16<br>(408) | 13-3/16<br>(335)  | 14-11/16<br>(373) | 1180<br>(535)           |
| PB925A  | 97<br>(2464)              | 99<br>(2515) | 33<br>(838) | 34<br>(864) | 3-1/8<br>(79) | 45-1/2<br>(1156) | 85<br>(2159) | 23-5/16<br>(592) | 50-3/16<br>(1275) | 16-1/16<br>(408) | 23-1/2<br>(597)   | 14-11/16<br>(373) | 1630<br>(739)           |
| PB1100A | 97<br>(2464)              | 99<br>(2515) | 33<br>(838) | 34<br>(864) | 3-1/8<br>(79) | 45-1/2<br>(1156) | 85<br>(2159) | 23-5/16<br>(592) | 50-3/16<br>(1275) | 16-1/16<br>(408) | 23-1/2<br>(597)   | 14-11/16<br>(373) | 1630<br>(739)           |
| PB1350A | 97<br>(2464)              | 99<br>(2515) | 33<br>(838) | 34<br>(864) | 3-1/8<br>(79) | 45-1/2<br>(1156) | 85<br>(2159) | 16-5/16<br>(421) | 63-7/8<br>(1622)  | 19-1/8<br>(486)  | 16-13/16<br>(427) | 11-5/8<br>(295)   | 1630<br>(739)           |

Figure 21 Piggyback condenser piping connections



SL-10063Page6

Table 17 Piggyback condenser piping connection dimensional data

| Model   | Dimensional Data |              |              |            |         |             |              | Connection Sizes O.D.s., inches (mm) |                |            |
|---------|------------------|--------------|--------------|------------|---------|-------------|--------------|--------------------------------------|----------------|------------|
|         | A                | B            | C            | D          | E       | F           | G            | Liquid Line                          | Hot Gas Line   | Drain      |
| PB350A  | -                | -            | 27-1/4 (692) | 1-1/2 (38) | 6 (152) | 9-1/8 (232) | 28-3/4 (730) | 2 @ 1/2 (13)                         | 2 @ 5/8 (16)   | 1-1/4 (32) |
| PB550A  | -                | -            | 27-1/4 (692) | 1-1/2 (38) | 6 (152) | 9-1/8 (232) | 28-3/4 (730) | 2 @ 1/2 (13)                         | 2 @ 5/8 (16)   | 1-1/4 (32) |
| PB675A  | -                | -            | 27-1/4 (692) | 1-1/2 (38) | 6 (152) | 9-1/8 (232) | 28-3/4 (730) | 2 @ 1/2 (13)                         | 2 @ 7/8 (22)   | 1-1/4 (32) |
| PB925A  | -                | -            | 27-1/4 (692) | 1-1/2 (38) | 6 (152) | 9-1/8 (232) | 28-3/4 (730) | 2 @ 1/2 (13)                         | 2 @ 7/8 (22)   | 1-1/4 (32) |
| PB1100A | -                | -            | 27-1/4 (692) | 1-1/2 (38) | 6 (152) | 9-1/8 (232) | 28-3/4 (730) | 2 @ 5/8 (16)                         | 2 @ 1-1/8 (29) | 1-1/4 (32) |
| PB1350A | 9-1/4 (235)      | 27-1/2 (699) | 29-1/2 (749) | 6 (152)    | 6 (152) | -           | -            | 2 @ 5/8 (16)                         | 2 @ 1-1/8 (29) | 1-1/4 (32) |

Table 18 Piggyback condenser approximate refrigerant charges

| Model   | lb (kg) per circuit |
|---------|---------------------|
| PB350A  | 19 (8.6)            |
| PB550A  | 18 (8.2)            |
| PB675A  | 26 (11.8)           |
| PB925A  | 23 (10.4)           |
| PB1100A | 36 (16.3)           |
| PB1350A | 36 (16.3)           |

## 3.4 Fan Speed Control Systems

Fan Speed Control provides an infinite number of speed variations on specially designed permanent split-capacitor motors. The control module varies the air quantity passing over the condenser coil by monitoring refrigerant pressure.

### 3.4.1 Materials Supplied

- Built-in, pre-wired condenser control box
- Air cooled condenser
- Piping access cover to be reinstalled when piping is complete
- Bolts – four per leg (3/8" x 5/8")
- Terminal block for two-wire, 24V interlock connection between unit and condenser
- Condenser legs – four with 1-fan, 2-fan and 3-fan models; six with 4-fan models

### 3.4.2 Dehydration

1. Open all disconnect switches.
2. Pull all fuses except transformer fuses. On units supplied with circuit breakers, open all breakers except for the transformer.
3. Turn disconnects ON and jumper Fan Safety Switch between Common and Normal Open.
4. To energize the solenoid valves, use manual override jumpers (on SM). On AM and AG, set the temperature set point (see operation manual) to 60°F (15°C) to ensure that solenoid valves are open during the dehydration procedure.
5. Connect refrigeration gauges to the suction and discharge service valves of compressors 1 & 2.
6. Open all service valves.

Connect refrigerant gauges to both the suction and discharge service valves of the compressors. Starting with circuit #1, open the service valves and place 150 PSIG (1034 kPa) of dry nitrogen with a tracer of Freon. Check system for leaks.

With pressure in circuit: #1, open the service valves in circuit #2. If pressure increases in circuit #2, the system is cross-circuited and must be rechecked for proper piping. If there is no pressure increase, repeat leak check procedure for circuit #2.

After completion of leak testing, release the test pressure and pull a vacuum on the system. Leave this vacuum for approximately 4 hours. Check the pressure to make sure that it has not increased. If there is no change in pressure, pull another vacuum to 250 microns or less. Recheck the pressure after two hours. After completion of this step, fill the circuits with Freon vapor until suction and discharge pressures have equalized.

### 3.4.3 Charging

Remove the reheat and humidifier fuses (or open circuit breakers). Remove all shipping blocks from the compressors and insure that all operational components are clear of debris. Turn the disconnect on and check the evaporator fan for proper rotation. Set the temperature set point (see Operation Manual) to 60°F (15°C) to ensure that solenoid valves are open during the charging procedure. Connect the refrigerant gauge charging hose to the drum of refrigerant and purge the hoses of non-condensables. Add refrigerant vapor to the suction side of the compressor to eliminate short-cycling. The low-pressure switch may be manually energized to expedite charging.

As head pressure builds the condenser fan will start rotating. The fan will become fully energized when sufficient head pressure is developed. Charge the unit until the liquid line sight glasses become clear. Watch the sight glasses for a period of 10 minutes to insure that no bubbles reappear. At this point, add additional refrigerant to the circuit so that 5-10°F (3-5°C) subcooling is obtained in each liquid line.

**Table 19 Indoor unit approximate refrigerant charge lb (kg.) R-22**

| Model 60 Hz (50 Hz) | Refrigerant Charge/Circuit |
|---------------------|----------------------------|
| 75A                 | 4.0 (1.8)                  |
| 114A (115A)         | 5.0 (2.3)                  |
| 125A (130A)         | 5.0 (2.3)                  |
| 199A                | 6.0 (2.7)                  |
| 245A                | 7.0 (3.2)                  |
| 290A                | 7.0 (3.2)                  |
| 380A                | 8.0 (3.6)                  |

**Table 20 Outdoor condenser approximate refrigerant charge lb (kg) per circuit**

| Model | Fan Speed Control | Lee-Temp (Includes Receiver) |
|-------|-------------------|------------------------------|
| 097   | 5 (2.3)           | 27 (12.3)                    |
| 108   | 6 (2.7)           | 33 (15.0)                    |
| 130   | 5 (2.3)           | 27 (12.3)                    |
| 104L  | 4 (1.8)           | 21 (9.5)                     |
| 175   | 7 (3.2)           | 38 (17.2)                    |
| 165L  | 5 (2.3)           | 27 (12.3)                    |
| 205L  | 7 (3.2)           | 38 (17.2)                    |
| 216   | 12 (5.4)          | 64 (29.0)                    |
| 291   | 15 (6.8)          | 75 (34.0)                    |
| 308L  | 11 (5.0)          | 58 (26.3)                    |
| 349   | 22 (10.0)         | 113 (51.3)                   |
| 408   | 20 (9.1)          | 101 (45.8)                   |
| 415L  | 15 (6.8)          | 75 (34.0)                    |
| 451   | 25 (11.3)         | 124 (56.3)                   |
| 480C  | 20 (9.1)          | 101 (45.8)                   |
| 488   | 30 (13.6)         | 149 (67.6)                   |
| 510C  | 30 (13.6)         | 149 (67.6)                   |
| 580   | 30 (13.6)         | 150 (68.0)                   |
| 820   | 39 (17.7)         | N/A                          |
| 830L  | 30 (13.6)         | 149 (67.6)                   |

**Table 21 Liquid line charge lb/10 ft. (kg/.3m) R-22**

| Line Size, OD Cu   | Charge  |
|--|---|
| 1/2"   | .73 (.33)   |
| 5/8"   | 1.17 (.52)  |
| 7/8"   | 2.44 (1.09)   |
| 1-1/8"   | 4.16 (1.86)   |
| 1-3/8"   | 6.33 (2.83)   |
| Total Charge per Circuit.<br>(There are two circuits per system) | = Unit Charge<br>+ Condenser Charge<br>+ Liquid Line Charge |

**Table 22 Refrigerant control settings for air cooled units psi (kPa)**

| Model             | Refrigerant Type | Low Pressure Cut Out | Low Pressure Cut In | High Pressure Cut Out |
|-------------------|------------------|----------------------|---------------------|-----------------------|
| Fan Speed Control | R-22             | 15 (103.4)           | 35 (241.3)          | 360 (2482)            |
| Lee-Temp          | R-22             | 20 (137.9)           | 65 (448.2)          | 360 (2482)            |



## 3.5 Lee-Temp/Flood Back Head Pressure Control Systems

The Lee-Temp system consists of a modulating type head pressure control valve and insulated receivers with heater pads to ensure operation at ambient temperatures as low as -30°F (-34.4°C).

### 3.5.1 Piping

Be sure to install the valve with the refrigerant flow in the proper direction. When soldering or brazing the valves, it is very important that the internal parts be protected by wrapping the valve with a damp cloth to keep the valve temperature below 250°F (121°C).

### 3.5.2 Materials Supplied

- Built-in, pre-wired condenser control box
- Air cooled condenser
- Piping access cover to be reinstalled when piping is complete
- Bolts – four per leg (3/8"x5/8")
- Terminal block for two-wire, 24V interlock connection between the unit and the condenser
- Condenser legs: four on one-fan models, six on two- and three-fan models, and eight on four-fan models
- Lee-Temp system:
  - Insulated storage receiver – one per circuit
  - Head pressure control valve with integral check valve – one per circuit
  - Adapter assembly – one per circuit
  - Rotalock valve – one per circuit
  - Pressure relief valve – one per circuit
  - Liquid level sight glass – two per circuit
  - Check valve – one per circuit.
- Bolts – six per receiver (3/8" x 1")



#### NOTE

*Lee-Temp heater pads require a separate, continuous electrical source of either 115 VAC or 200/208/230 VAC.*

### 3.5.3 Dehydration

1. Open all disconnect switches.
2. Pull all fuses except transformer fuses. On units supplied with circuit breakers, open all breakers except for the transformer.
3. Jumper Fan Safety Switch between Common and Normal Open. Turn disconnects ON.
4. Use the manual override switches to energize the solenoid valves.
5. Connect refrigeration gauges to the suction and discharge service valves of compressors 1 & 2.
6. Open all service valves.
7. Charge circuit #1 to 150 psig (1034 kPa) with dry nitrogen containing a tracer of Freon.
8. Check for pressure increase in circuit #2. This would indicate that the refrigeration circuits are cross-circuited and must be re-piped.
9. If there is no pressure increase, charge circuit #2 to 150 psig (1034 kPa) with dry nitrogen containing a tracer of Freon and leak-test both circuits.
10. After completion of leak testing, release test pressure and pull a vacuum on both circuits.
11. After 4 hours, check gauge readings and, if they have not changed, purge with Freon.
12. Pull a second and third vacuum of 250 microns (29.84 in. Hg), leave for 2 hours and recheck gauges.

### 3.5.4 Charging

1. Make sure unit is OFF and that jumper is removed on Fan Safety Switch.
2. Connect a set of manifold gauges to the refrigerant drum and to the receiver at the rotalock valve. Purge the hoses.
3. Open the rotalock valve and fill the receiver with liquid refrigerant per **Table 26**.
4. Close the valve and disconnect gauges.
5. Start the compressor and recheck the refrigerant level. If the level has dropped, recharge with vapor through the suction port.
6. Replace all fuses (or close circuit breakers) except reheat and humidifier.
7. Connect refrigerant charging hose to suction port of compressors and purge with Freon.
8. To energize the solenoid valves, use manual override jumpers (on SM) or test outputs (on AM and AG).
9. Charge with vapor until the refrigerant level is in accordance with **3.5.5 - Refrigerant Level**.

### 3.5.5 Refrigerant Level

On each receiver at the condenser are two refrigerant-level sight glasses. Refrigerant level will vary with outside temperature.

Check refrigerant level after the unit has been on for at least 15 minutes.

40°F (4.5°C) and below

Bottom sight glass is 3/4 full

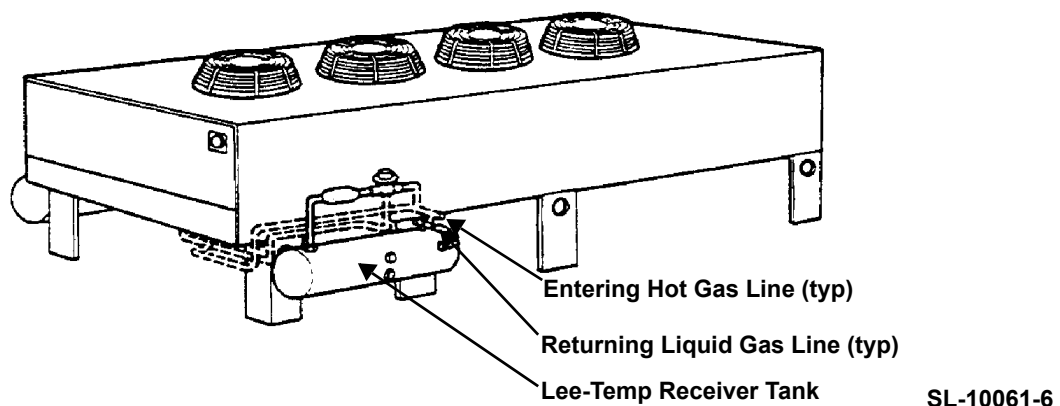
40°F to 60°C (4.5°C to 15.5°C)

Bottom sight glass is full

60°F (15.5°C) and above

Top sight glass is 3/4 full

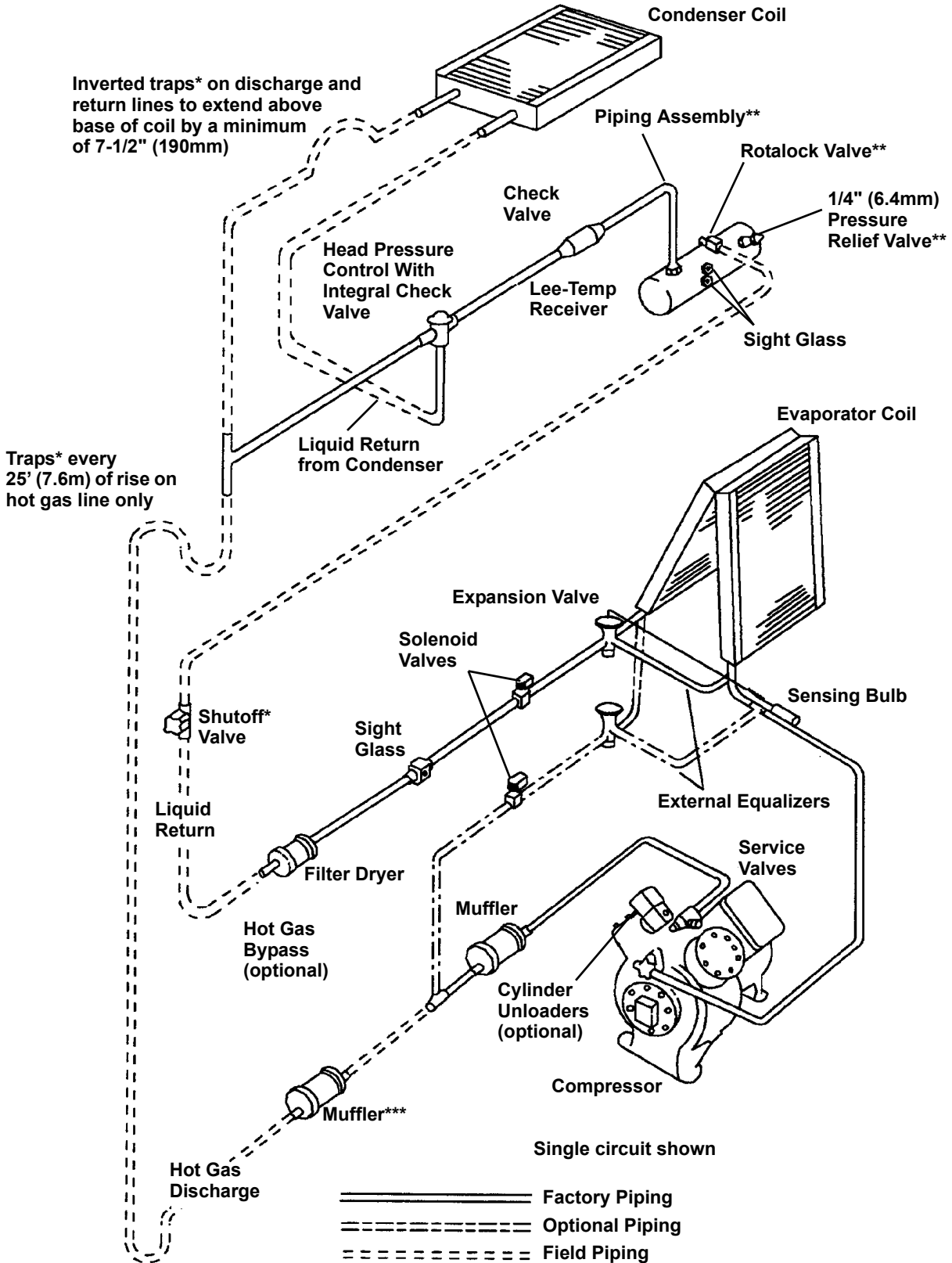
**Figure 22 Lee-Temp control condenser**



#### NOTE

*The following materials are supplied by Liebert for each circuit (shipped loose with condenser) for field installation: insulated Lee-Temp storage tank, head pressure control valve, check valve, rotalock valve, two sight glasses and a pressure relief valve. All other piping to be supplied and installed by others.*

Figure 23 Lee-Temp control typical general arrangement diagram



\* Components are not supplied by Liebert but are recommended for proper circuit operation and maintenance

\*\* Components supplied by Liebert and must be field-installed

\*\*\* Components supplied by Liebert and must be field-installed (DH/VH and DE/VE 245A, 290A and 380A models only)

DPN00680 Rev0

---

## 4.0 GLYCOL COOLED/GLYCOOL™ MODELS

---

### 4.1 Drycooler Location

#### 4.1.1 Outdoor Prop Fan Models

The drycooler should be located for maximum security and maintenance accessibility. Avoid ground-level sites with public access or areas that contribute to heavy snow or ice accumulations. To assure adequate air supply, it is recommended that drycoolers be located in a clean air area, away from loose dirt and foreign matter that may clog the coil. In addition, drycoolers should not be located in the vicinity of steam, hot air or fume exhausts. Also, drycoolers should not be located closer than 3 feet (1 meter) from a wall, obstruction or adjacent unit.

#### 4.1.2 Indoor Piggyback Models

The Piggyback drycooler can be located directly behind the Deluxe unit or in a separate remote indoor location. It may be placed directly against an outside wall, with the proper openings cut in the wall for entering and leaving air. If it cannot be located near a wall, the unit may be ducted to the outside. Proper grills/screens are required on the outside wall.

### 4.2 Drycooler Installation

For roof installation, mount drycoolers on steel supports in accordance with local codes. To minimize sound and vibration transmission, mount steel supports across load bearing walls. For ground installation, a concrete pad will provide adequate support. Drycooler legs have mounting holes for securing the drycooler to steel supports or concrete pad.

### 4.3 Electrical Connections

#### 4.3.1 High Voltage

High voltage electrical service is required for all drycoolers at the location of the drycooler. This power supply does not have to be the same voltage as the indoor unit. This separate power source may be 208, 230, 460 or 575 Volt 60 Hertz; or 200, 230 or 400 Volt 50 Hertz. The disconnect switch is factory supplied and mounted in the electric panel.

#### 4.3.2 Low Voltage

A control interlock between the drycooler and the indoor unit is required and is connected between 70 & 71 on the wire raceway in the compressor compartment of the indoor unit and the pump and drycooler control box of the drycooler.

#### 4.3.3 Pump And Drycooler

All wiring to the pump and drycooler from the control box should be done in accordance with the electrical schematic on the inside lid of the drycooler control box and with local and national codes (on Piggyback Models, the pump is located within the drycooler).

### 4.4 Glycol Piping

Manual shut-off valves should be installed at the supply and return line to each indoor unit and drycooler. This will provide for routine service or emergency isolation of the unit.

To provide for the emergency of water leaks and the consequences of subfloor flooding, floor drains should be provided with wet traps or a water detection system such as a Liqui-Tect that should be installed near the base of the unit or below the elevated floor.

The temperature of the glycol supplied by the drycooler will determine whether the glycol supply and return lines should be insulated to prevent condensation.

**Table 23 Room dew point temperatures °F (°C)**

| Dry Bulb  | Wet Bulb    | Relative Humidity | Dew Point   |
|-----------|-------------|-------------------|-------------|
| 70 (21.1) | 57.2 (14.0) | 45                | 48.9 (8.9)  |
| 70 (21.1) | 58.5 (14.7) | 50                | 50.5 (10.3) |
| 72 (22.2) | 58.9 (14.9) | 45                | 50.0 (10.0) |
| 72 (22.2) | 60.0 (15.5) | 50                | 52.4 (11.3) |
| 75 (23.8) | 61.2 (16.2) | 45                | 52.4 (11.3) |
| 75 (23.8) | 62.5 (16.9) | 50                | 55.0 (12.7) |

\*Minimum glycol temperature before condensation will occur.

**Table 24 Glycol concentration**

| % Glycol by Volume                      | 0      | 10        | 20        | 30        | 40          | 50          |
|---|--------|-----------|-----------|-----------|-------------|-------------|
| Freezing Point °F (°C)                  | 32 (0) | 25 (-3.9) | 16 (-8.9) | 5 (-15.0) | -10 (-23.3) | -32 (-35.5) |
| Apparent specific Gravity @ 50°F (10°C) | 1.000  | 1.014     | 1.028     | 1.042     | 1.057       | 1.071       |

**Table 25 Refrigerant control settings for glycol cooled units—psi (kPa)**

| Refrigerant Type | Low Pressure Cut Out | Low Pressure Cut In | High Pressure Cut Out |
|------------------|----------------------|---------------------|-----------------------|
| R-22             | 20 (137.9)           | 65 (448.2)          | 360 (2482)            |

**Table 26 Deluxe glycol volume approximate gal. (l) max**

| Model (50 Hz) | Glycol Cooled | GLYCOOL     |             |
|---------------|---------------|-------------|-------------|
|               |               | Upflow      | Downflow    |
| —72G          | 2.0 (7.5)     | 9.0 (34.0)  | 8.5 (32.0)  |
| —110G/(111G)  | 2.0 (7.5)     | 9.0 (34.0)  | 8.5 (32.0)  |
| —116G/(121G)  | 2.5 (9.5)     | 10.0 (38.0) | 10.0 (38.0) |
| —192G         | 4.5 (17.0)    | 14.0 (53.0) | 13.5 (51.0) |
| —240G         | 5.5 (21.0)    | 15.0 (57.0) | 15.0 (57.0) |
| —265G         | 5.5 (21.0)    | —           | —           |
| —363G         | 6.5 (24.6)    | 18.0 (68.1) | 18.0 (68.1) |

**Table 27 Volume in standard Type L copper piping**

| Diameter (in.) |        | Volume   |      |
|----------------|--------|----------|------|
| Outside        | Inside | gal./ft. | l/m  |
| 1/2            | 0.123  | 0.008    | 0.01 |
| 5/8            | 0.545  | 0.012    | 0.15 |
| 3/4            | 0.666  | 0.018    | 0.22 |
| 7/8            | 0.785  | 0.025    | 0.31 |
| 1-1/8          | 1.025  | 0.043    | 0.53 |
| 1-3/8          | 1.265  | 0.065    | 0.81 |
| 1-5/8          | 1.505  | 0.092    | 1.15 |
| 2-1/8          | 1.985  | 0.161    | 2.00 |
| 2-5/8          | 2.465  | 0.248    | 3.08 |
| 3-1/8          | 2.945  | 0.354    | 4.40 |
| 3-5/8          | 3.425  | 0.479    | 5.95 |
| 4-1/8          | 3.905  | 0.622    | 7.73 |

Figure 24 Downflow glycol cooled (DH) piping connections

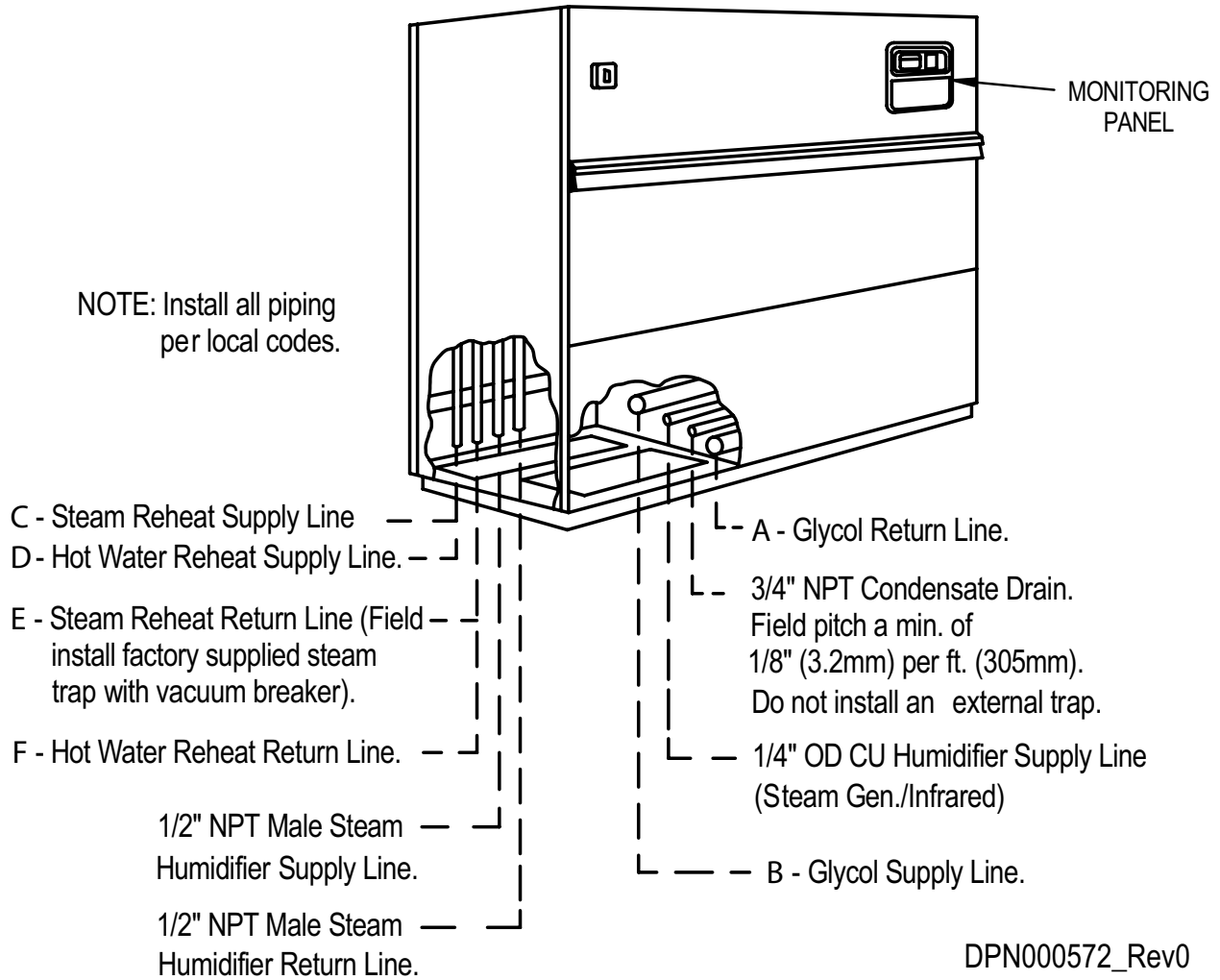


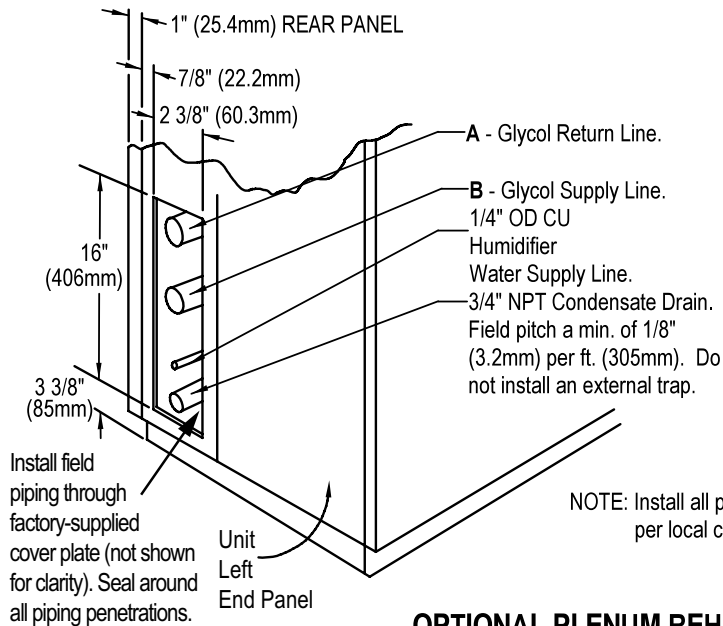
Table 28 Downflow glycol cooled (DH) piping connection sizes, inches

| Glycol Cooled Models<br>60 Hz (50 Hz) | A<br>(OD CU) | B<br>(OD CU) | C<br>(NPT Male) | D<br>(OD CU) | E<br>(NPT Male) | F<br>(OD CU) |
|---------------------------------------|--------------|--------------|-----------------|--------------|-----------------|--------------|
| DH072G (DH072G)                       | 1-5/8        | 1-5/8        | 1/2             | 5/8          | 1/2             | 5/8          |
| DH110G (DH111G)                       |              |              |                 |              |                 |              |
| DH116G (DH121G)                       |              |              |                 |              |                 |              |
| DH192G (DH192G)                       | 2-1/8        | 2-1/8        | 3/4             | 7/8          | 3/4             | 7/8          |
| DH240G (DH240G)                       |              |              |                 |              |                 |              |
| DH265G (DH265G)                       |              |              | NA              | NA           | NA              | NA           |
| DH363G (DH363G)                       |              |              |                 |              |                 |              |

**Figure 25 Upflow glycol cooled (VH) piping connections**

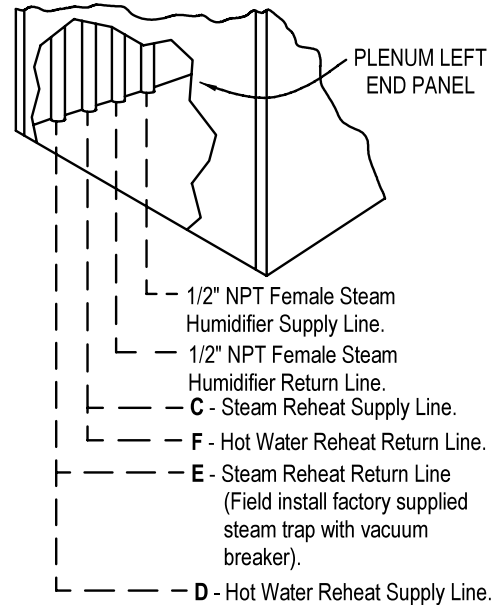
**UNIT CONNECTION LOCATIONS**

Piping stubbed out inside unit end compartment for field connection through 2 3/8" x 16" (60.3 x 406mm) opening as shown. Piping is recessed inside the unit and not flush as indicated. Piping may also exit through bottom of end compartment by field cutting an opening in a suitable location (except bottom return air units).

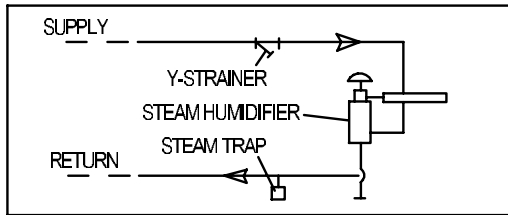


**PLENUM CONNECTION LOCATIONS**

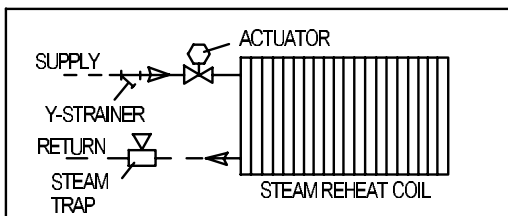
For separate steam or hot water plenum UPFLOW (VH) units, piping may exit through bottom, top or sides by field cutting an opening in a suitable location.



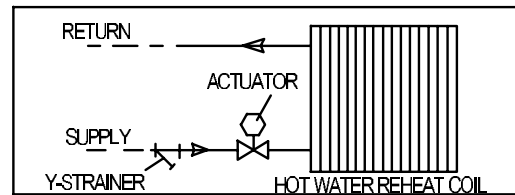
**OPTIONAL PLENUM REHEAT SCHEMATICS**



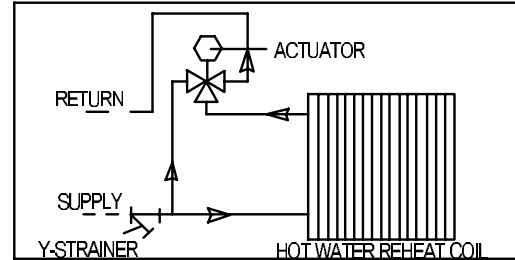
**OPTIONAL STEAM HUMIDIFIER**



**OPTIONAL STEAM REHEAT**



**OPTIONAL HOT WATER REHEAT (2-WAY VALVE)**



**OPTIONAL HOT WATER REHEAT (3-WAY VALVE)**

DPN00573 Rev0

**Table 29 Factory-provided piping connection sizes, inches, upflow glycol cooled (VH)**

| Glycol Cooled Models |         | A     | B     | C          | D     | E          | F     |
|----------------------|---------|-------|-------|------------|-------|------------|-------|
| 50 Hz                | 60 Hz   | OD Cu | OD Cu | NPT Female | OD Cu | NPT Female | OD Cu |
| VH-072G              | VH-072G | 1-5/8 | 1-5/8 | 1/2        | 5/8   | 1/2        | 5/8   |
| VH-111G              | VH-110G | 1-5/8 | 1-5/8 | 1/2        | 5/8   | 1/2        | 5/8   |
| VH-121G              | VH-116G | 1-5/8 | 1-5/8 | 1/2        | 5/8   | 1/2        | 5/8   |
| VH-192G              | VH-192G | 2-1/8 | 2-1/8 | 3/4        | 7/8   | 3/4        | 7/8   |
| VH-240G              | VH-240G | 2-1/8 | 2-1/8 | 3/4        | 7/8   | 3/4        | 7/8   |
| VH-265G              | VH-265G | 2-1/8 | 2-1/8 | NA         | NA    | NA         | NA    |
| VH-363G              | VH-363G | 2-1/8 | 2-1/8 | NA         | NA    | NA         | NA    |

Figure 26 Downflow GLYCOOL™ cooled (DE) piping connections

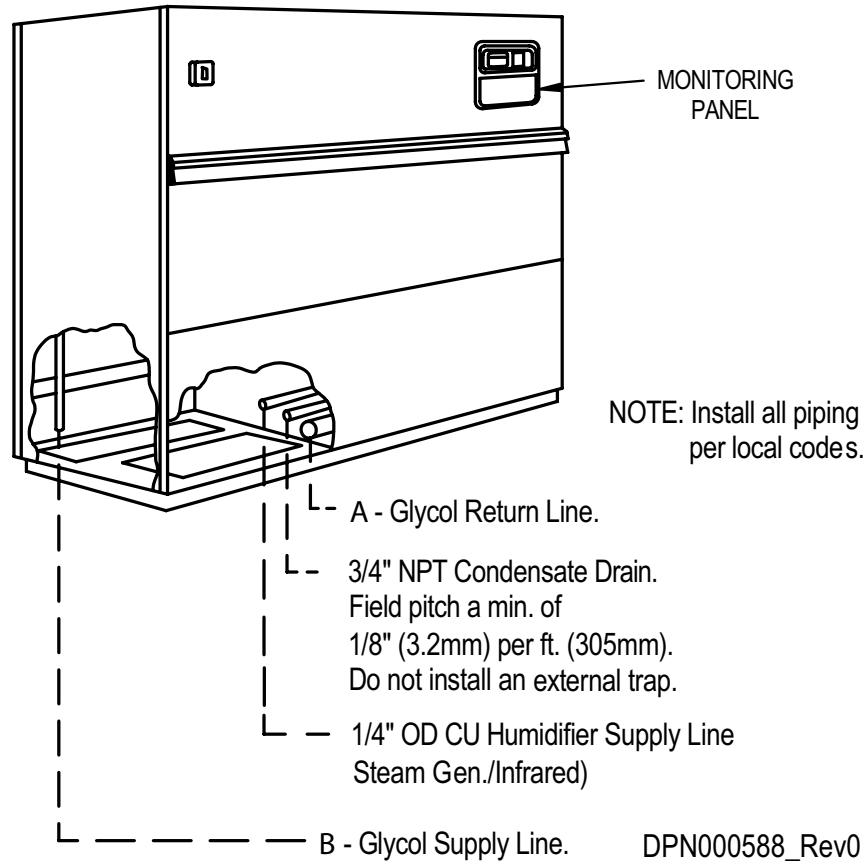


Table 30 Downflow GLYCOOL (DE) piping connection sizes, inches

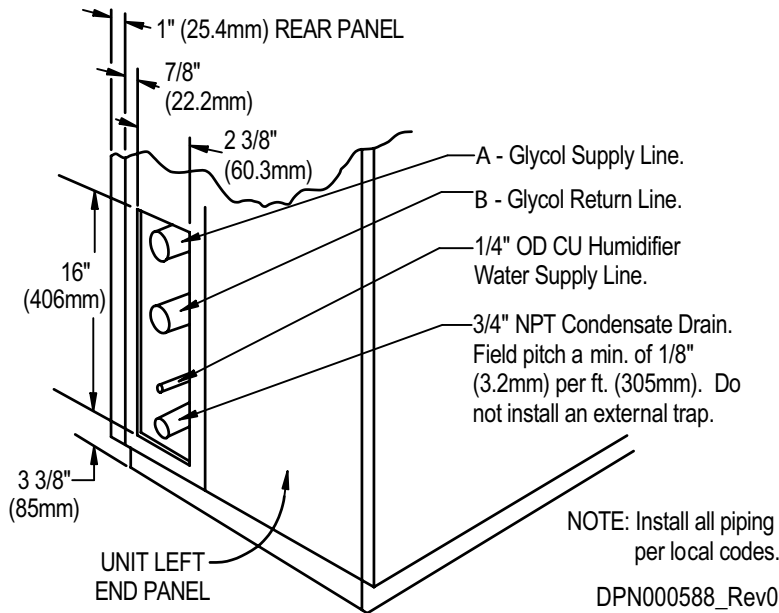
| GLYCOOL Models<br>60 Hz (50 Hz) | A<br>(OD CU) | B<br>(OD CU) |
|---------------------------------|--------------|--------------|
| DE072G (DE072G)                 | 1-5/8        | 1-5/8        |
| DE110G (DE111G)                 |              |              |
| DE116G (DE121G)                 |              |              |
| DE192G (DE192G)                 | 2-1/8        | 2-1/8        |
| DE240G (DE240G)                 |              |              |
| DE363G (DE363G)                 |              |              |



**Figure 27 Upflow GLYCOOL™ cooled (VE) piping connections**

**UNIT CONNECTION LOCATIONS**

Piping stubbed out inside unit end compartment for field connection through 2 3/8" x 16" (60.3 x 406mm) opening as shown. Piping is recessed inside the unit and not flush as indicated. Piping may also exit through bottom of end compartment by field cutting an opening in a suitable location (except bottom return air units).

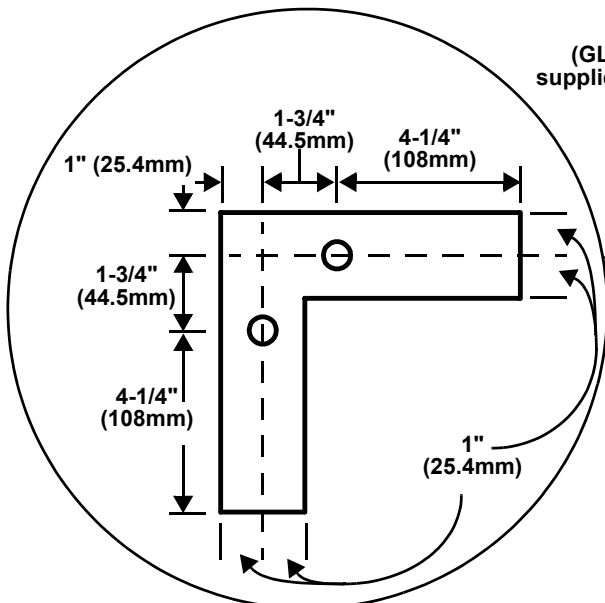
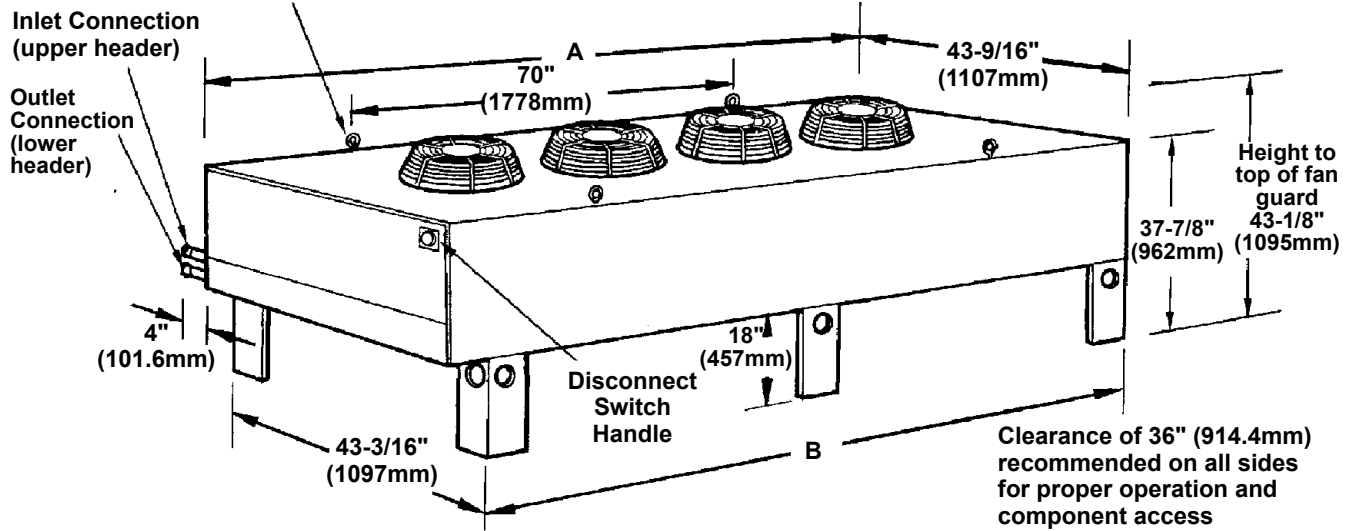


**Table 31 Upflow GLYCOOL (VE) piping connection sizes, inches**

| GLYCOOL Models<br>60 Hz (50 Hz) | A<br>(OD Cu) | B<br>(OD Cu) |
|---------------------------------|--------------|--------------|
| VE072G (VE072G)                 | 1-5/8        | 1-5/8        |
| VE110G (VE111G)                 |              |              |
| VE116G (VE121G)                 |              |              |
| VE192G (VE192G)                 | 2-1/8        | 2-1/8        |
| VE240G (VE240G)                 |              |              |
| VE363G (VE363G)                 |              |              |

Figure 28 1-4 fan drycooler cabinet and anchor dimensional data

Eyebolts for lifting condenser provided on four-fan models only



TYPICAL FOOTPRINT  
Condenser Physical data

EXPANSION TANK  
(GLYCOOL CSU3000 units  
supplied with compression tank)

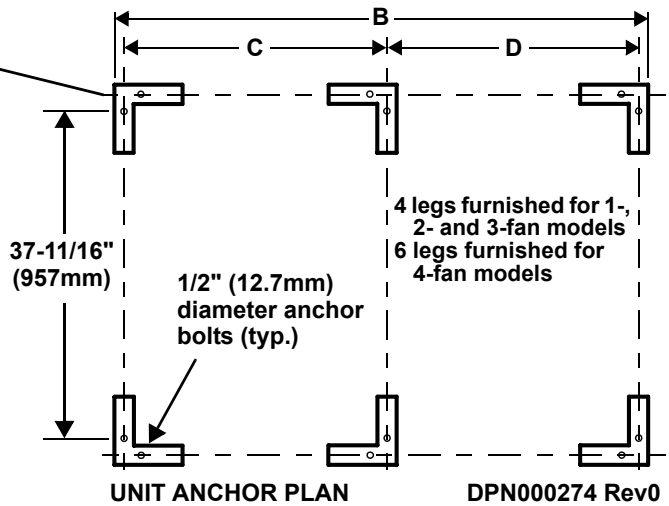
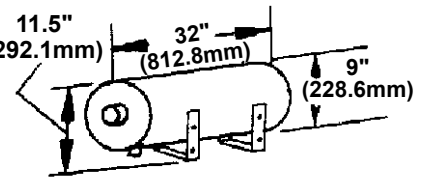


Table 32 Glycol pump data

| Pump  |    | Pump Suction Connection in. | Pump Discharge Connection in. |
|-------|----|-----------------------------|-------------------------------|
| Hp    | Hz |                             |                               |
| 1-1/2 | 60 | 1-1/4                       | 3/4                           |
| 2     | 60 |                             |                               |
| 3     | 60 | 1-1/2                       | 1                             |
| 5     | 60 |                             | 1-1/4                         |
| 1     | 50 | 1-1/4                       | 3/4                           |
| 2     | 50 |                             |                               |
| 3     | 50 | 1-1/2                       | 1-1/4                         |

Note: Connection sizes apply to primary pump supplier.

Table 33 1-4 fan drycooler physical data

| Model<br>(Notes 2,3,4) | # of Fans | A                 | B             | C             | D            | CFM<br>(l/s)<br>60 Hz <sup>1</sup> | CFM<br>(l/s)<br>50 Hz <sup>1</sup> | Internal<br>Volume<br>gal. (l) | Net Weight<br>lb (kg) | Piping<br>Connection<br>Sizes |                    |
|------------------------|-----------|-------------------|---------------|---------------|--------------|------------------------------------|------------------------------------|--------------------------------|-----------------------|-------------------------------|--------------------|
|                        |           | in.<br>(mm)       | in.<br>(mm)   | in.<br>(mm)   | in.<br>(mm)  |                                    |                                    |                                |                       | Inlet<br>in. (mm)             | Outlet<br>in. (mm) |
| -033                   | 1         | 51-1/2<br>(1308)  | 44<br>(1118)  | 42<br>(1067)  | —            | 7200<br>(3398)                     | 6000<br>(2932)                     | 1.2<br>(4.6)                   | 390<br>(177)          | 3/4<br>(19.1)                 | 3/4<br>(19.1)      |
| -069                   | 1         | 51-1/2<br>(1308)  | 44<br>(1118)  | 42<br>(1067)  | —            | 6866<br>(3240)                     | 5722<br>(2700)                     | 2.4<br>(9.2)                   | 410<br>(186)          | 1-1/4<br>(31.8)               | 1-1/4<br>(31.8)    |
| -092                   | 1         | 51-1/2<br>(1308)  | 44<br>(1118)  | 42<br>(1067)  | —            | 6633<br>(3130)                     | 5527<br>(2609)                     | 3.7<br>(13.9)                  | 430<br>(195)          | 1-1/2<br>(38.1)               | 1-1/2<br>(38.1)    |
| -109                   | 1         | 51-1/2<br>(1308)  | 44<br>(1118)  | 42<br>(1067)  | —            | 6322<br>(2984)                     | 5268<br>(2486)                     | 4.9<br>(18.6)                  | 450<br>(204)          | 2<br>(50.8)                   | 2<br>(50.8)        |
| -112                   | 1         | 51-1/2<br>(1308)  | 44<br>(1118)  | 42<br>(1067)  | —            | 6088<br>(2873)                     | 5074<br>(2394)                     | 5.8<br>(22.0)                  | 470<br>(213)          | 2<br>(50.8)                   | 2<br>(50.8)        |
| -139                   | 2         | 91-1/2<br>(2324)  | 84<br>(2134)  | 82<br>(2083)  | —            | 13732<br>(6481)                    | 11443<br>(5401)                    | 4.8<br>(18.2)                  | 565<br>(256)          | 2<br>(50.8)                   | 2<br>(50.8)        |
| -174                   | 2         | 91-1/2<br>(2324)  | 84<br>(2134)  | 82<br>(2083)  | —            | 13265<br>(6261)                    | 11054<br>(5217)                    | 6.9<br>(26.2)                  | 605<br>(274)          | 2<br>(50.8)                   | 2<br>(50.8)        |
| -197                   | 2         | 91-1/2<br>(2324)  | 84<br>(2134)  | 82<br>(2083)  | —            | 12645<br>(5968)                    | 10535<br>(4973)                    | 9<br>(34)                      | 645<br>(293)          | 2<br>(50.8)                   | 2<br>(50.8)        |
| -225                   | 2         | 91-1/2<br>(2324)  | 84<br>(2134)  | 82<br>(2083)  | —            | 12177<br>(5748)                    | 10147<br>(4789)                    | 11.1<br>(42.1)                 | 685<br>(310)          | 2<br>(50.8)                   | 2<br>(50.8)        |
| -260                   | 3         | 131-1/2<br>(3340) | 124<br>(3150) | 122<br>(3099) | —            | 19898<br>(9392)                    | 16582<br>(7827)                    | 10.0<br>(37.8)                 | 826<br>(375)          | 2<br>(50.8)                   | 2<br>(50.8)        |
| -310                   | 3         | 131-1/2<br>(3340) | 124<br>(3150) | 122<br>(3099) | —            | 18965<br>(8951)                    | 15804<br>(7459)                    | 13.1<br>(50.0)                 | 886<br>(402)          | 2<br>(50.8)                   | 2<br>(50.8)        |
| -350                   | 3         | 131-1/2<br>(3340) | 124<br>(3150) | 122<br>(3099) | —            | 17398<br>(8218)                    | 14499<br>(6843)                    | 19.4<br>(65.9)                 | 946 (429)             | 2<br>(50.8)                   | 2<br>(50.8)        |
| -352                   | 4         | 171-1/2<br>(4356) | 164<br>(4166) | 82<br>(2083)  | 80<br>(2032) | 24800<br>(11705)                   | 20667<br>(9755)                    | 13.1<br>(49.6)                 | 1040<br>(471)         | 2<br>(50.8)                   | 2<br>(50.8)        |
| -419                   | 4         | 171-1/2<br>(4356) | 164<br>(4166) | 82<br>(2083)  | 80<br>(2032) | 23650<br>(11163)                   | 19708<br>(9302)                    | 17.4<br>(65.9)                 | 1120<br>(508)         | 2<br>(50.8)                   | 2<br>(50.8)        |
| -466                   | 4         | 171-1/2<br>(4356) | 164<br>(4166) | 82<br>(2083)  | 80<br>(2032) | 22770<br>(10747)                   | 18975<br>(8956)                    | 22.0<br>(83.3)                 | 1150<br>(522)         | 2-1/2<br>(63.5)               | 2-1/2<br>(63.5)    |
| -491                   | 4         | 171-1/2<br>(4356) | 164<br>(4166) | 82<br>(2083)  | 80<br>(2032) | 21700<br>(10242)                   | 18083<br>(8535)                    | 26.3<br>(99.6)                 | 1200<br>(544)         | 2-1/2<br>(63.5)               | 2-1/2<br>(63.5)    |

1. All drycooler fan motors are 3/4 HP.
2. DSO model prefix indicates control section in drycooler includes controls for a single pump package. DDO model prefix indicates control section in drycooler includes controls for a dual pump package. DSF model prefix indicates control section in drycooler includes controls for a single pump package on a fan speed control drycooler.
3. DNT prefix indicates a single circuit with fan cycling but no pump controls.
4. DNC prefix indicates a single circuit with no fan or pump controls.

Figure 29 6- and 8-fan drycooler cabinet and anchor dimensional data

NOTE: Refer to sheet 10067 Pg. 4 for connection sizes

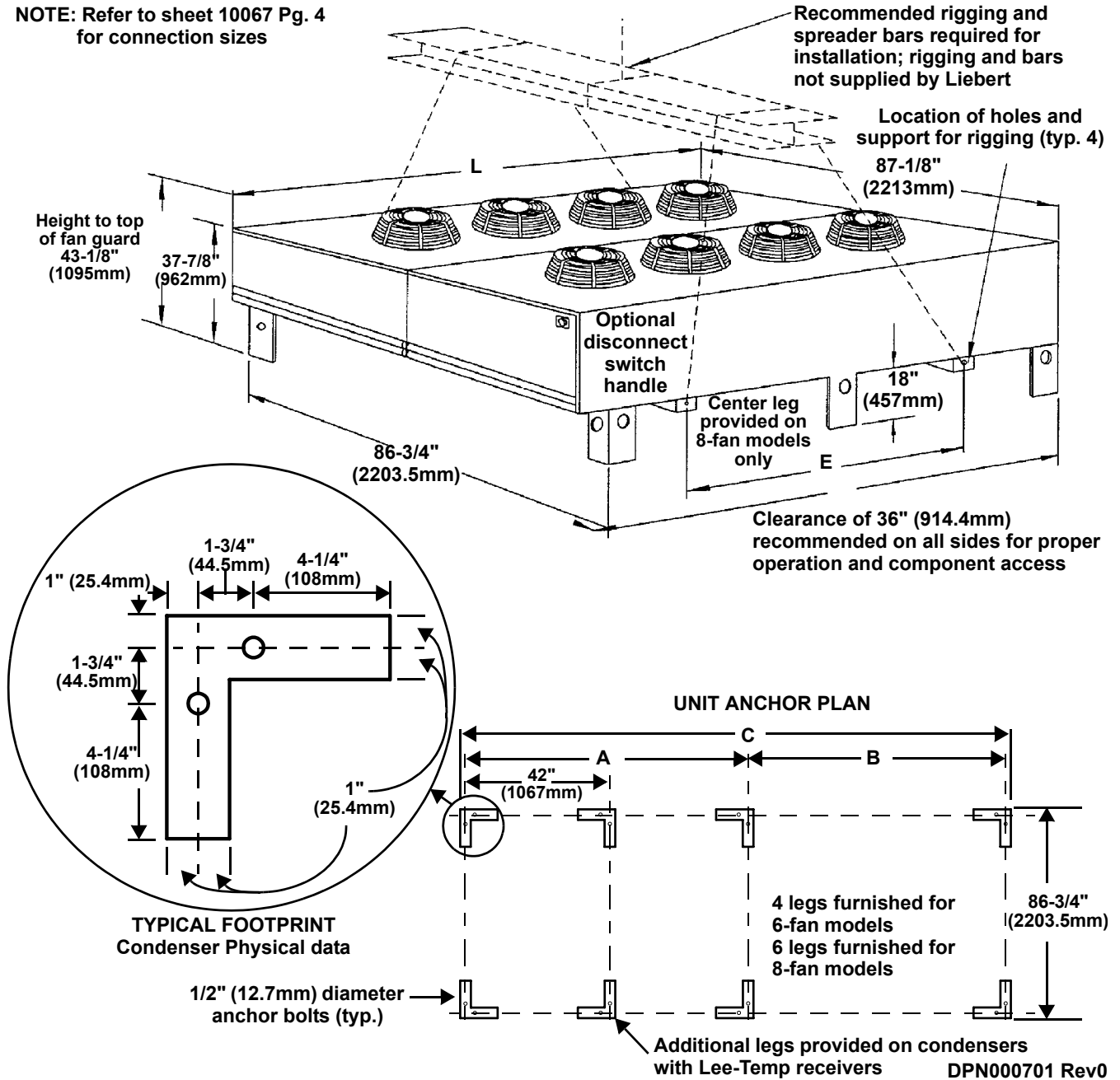


Table 34 6- and 8-fan drycooler physical data

| Model | # of Fans | A          | B         | C          | E         | L              | CFM (l/s) 60 Hz | CFM (l/s) 50 Hz | Coil Internal Volume gal. (l) | Net Weight lb (kg) | Piping Connection Sizes |                 |
|-------|-----------|------------|-----------|------------|-----------|----------------|-----------------|-----------------|-------------------------------|--------------------|-------------------------|-----------------|
|       |           | in (mm)    | in (mm)   | in (mm)    | in (mm)   | in (mm)        |                 |                 |                               |                    | Inlet in. (mm)          | Outlet in. (mm) |
| -620  | 6         | 122 (3099) | -         | 124 (3150) | 59 (1499) | 131-1/2 (3340) | 37900 (17889)   | 31600 (14915)   | 27.0 (102.2)                  | 1940 (880)         | 2-1/8 (54)              | 2-1/8 (54)      |
| -650  | 6         | 122 (3099) | -         | 124 (3150) | 59 (1499) | 131-1/2 (3340) | 36500 (17228)   | 30400 (14349)   | 33.0 (124.9)                  | 2000 (907.2)       | 2-1/8 (54)              | 2-1/8 (54)      |
| -700  | 6         | 122 (3099) | -         | 124 (3150) | 59 (1499) | 131-1/2 (3340) | 34800 (16426)   | 29000 (13688)   | 40.0 (151.4)                  | 2060 (934.4)       | 2-1/8 (54)              | 2-1/8 (54)      |
| -790  | 8         | 82 (2083)  | 80 (2032) | 164 (4166) | 70 (1778) | 171-1/2 (4356) | 47300 (22326)   | 39400 (18597)   | 35.0 (132.5)                  | 2550 (1157)        | 2-1/8 (54)              | 2-1/8 (54)      |
| -880  | 8         | 82 (2083)  | 80 (2032) | 164 (4166) | 70 (1778) | 171-1/2 (4356) | 45500 (21476)   | 37900 (17889)   | 44.0 (166.5)                  | 2730 (1238.3)      | 2-1/8 (54)              | 2-1/8 (54)      |
| -940  | 8         | 82 (2083)  | 80 (2032) | 164 (4166) | 70 (1778) | 171-1/2 (4356) | 43400 (20485)   | 36200 (17086)   | 52.0 (196.8)                  | 2910 (1320)        | 2-1/8 (54)              | 2-1/8 (54)      |

## 4.5 Preparation of Glycol Solutions

Typical ethylene glycol manufacturers and suppliers are Union Carbide (Ucartherm) or Dow Chemical Company (Dowtherm SR-1). These ethylene glycols are supplied with an inhibitor and do not contain an anti-leak formula.



### NOTE

*For glycol solution preparation and periodic testing, follow manufacturer's recommendations. Do not mix products of different manufacturers.*



### CAUTION

Automotive antifreeze is unacceptable and must NOT be used.

Commercial ethylene glycol, when pure, is generally less corrosive to the common metals of construction than water itself. Aqueous solutions of these glycols, however, assume the corrosivity of the water from which they are prepared and may become increasingly corrosive with use if not properly inhibited.

There are two basic types of corrosion inhibition; they are classified as corrosion inhibitors or environmental stabilizers. The corrosion inhibitors function by forming a surface barrier that protects the metals from attack. Environmental stabilizers, while not corrosion inhibitors in the strict sense of the word, decrease corrosion by stabilizing or favorably altering the overall environment. An alkaline buffer, such as borax, is a simple example, since its prime purpose is to maintain an alkaline condition (pH above 7).

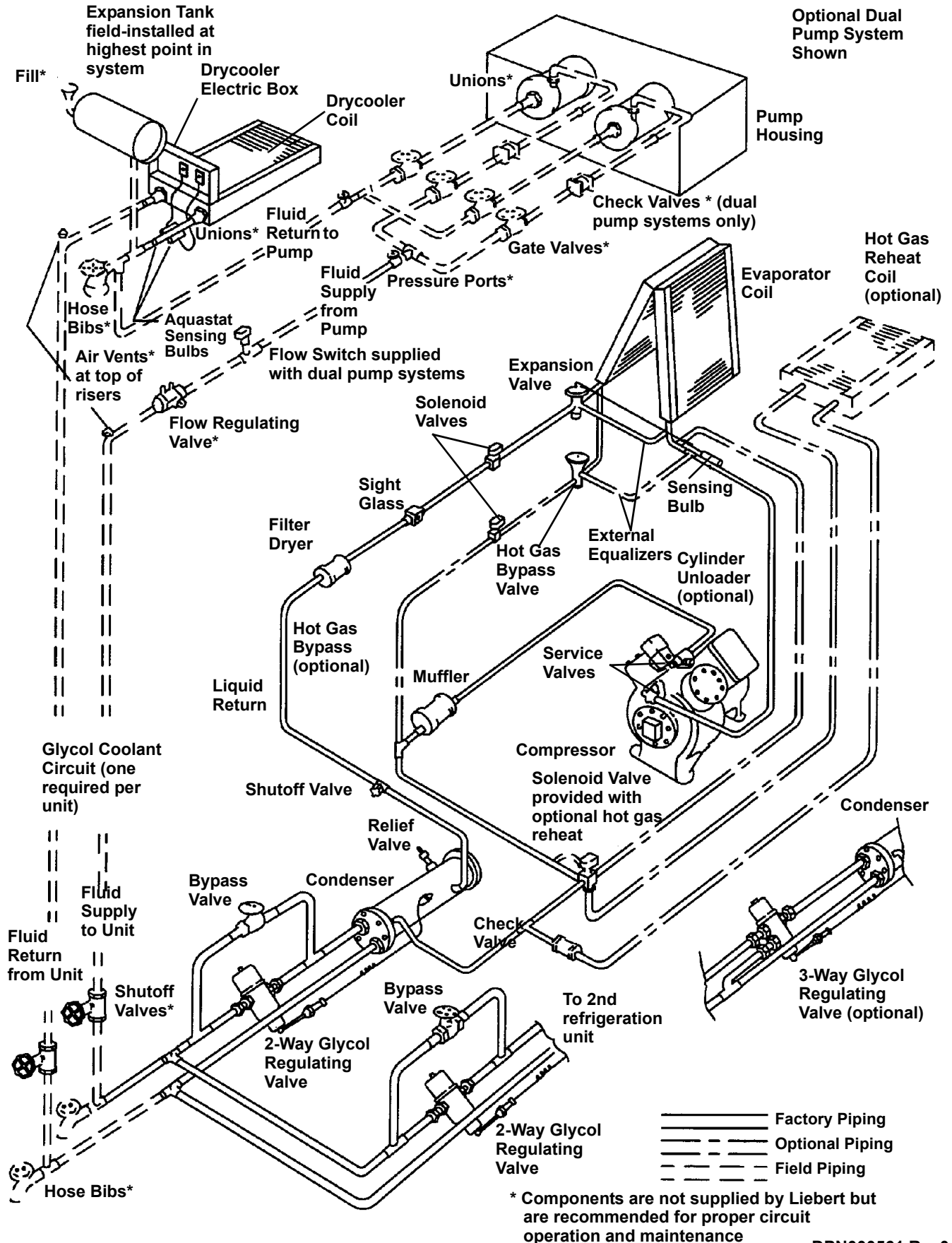
The quality of the water used for dilution must be considered because water may contain corrosive elements which reduce the effectiveness of the inhibited formulation. Preferably, surface water that is classified as soft (low in chloride and sulfate ion content—less than 100 parts per million each) should be used. Before an inhibited glycol solution is charged into a new or old system, residual contaminants such as sludge, rust, brine deposits, oil, etc., should be flushed out as completely as possible. Avoid the use of strong acid cleaners. However, if they are required, inhibited acids should be considered. In any event, assure that the cleaning agent is completely removed before charging with glycol. Contact Liebert Customer Service and Support for additional recommendations.



### CAUTION

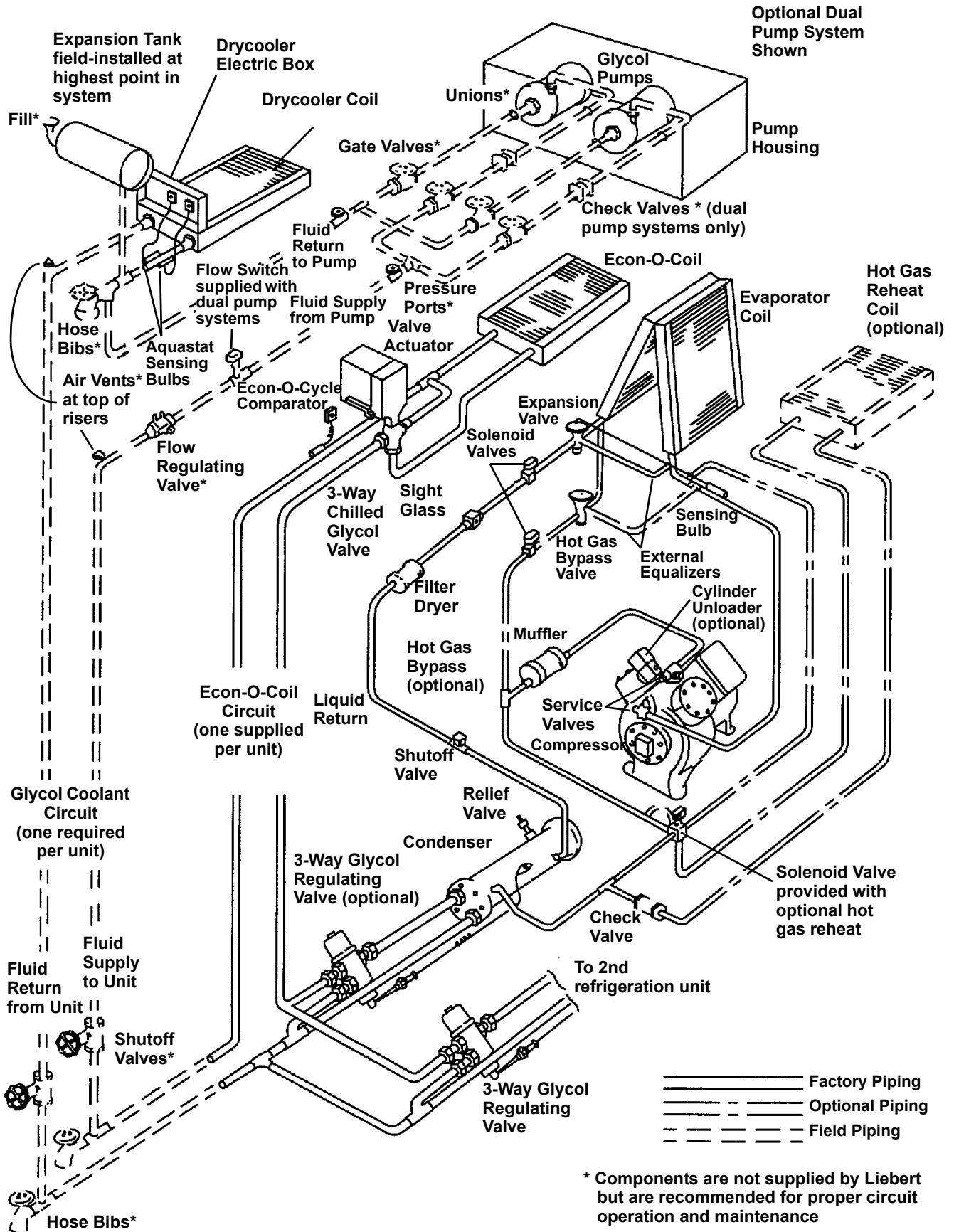
Galvanized pipe must not be used in glycol systems.

Figure 30 Glycol general arrangement



DPN00561 Rev0

Figure 31 GLYCOOL™ general arrangement



DPN000579 Rev0

## 5.0 WATER COOLED MODELS

### 5.1 Piping Considerations

Manual shut-off valves should be installed at the supply and return lines of each unit. This will provide for routine maintenance or emergency isolation of the unit.

When the water source for the condenser is of poor quality, it is good practice to provide cleanable filters in the supply line. These filters will trap the particles in the water supply and extend the service life of the water-cooled condenser.

To provide for the emergency of water leaks and the consequences of sub-floor flooding, floor drains should be provided with wet traps or a water detection system such as a Liqui-Tect sensor that is installed near the base of the unit or below the elevated floor.

### 5.2 Condenser

The condenser is designed to operate in conjunction with either a cooling tower or city water.

### 5.3 Water Regulating Valve

Water regulating valves automatically open on refrigerant pressure increase and close on pressure decrease.

To adjust the head pressure, attach refrigeration gauges to the compressor discharge and suction service valves. Raise the head pressure by turning the adjusting screw counterclockwise. Lower the head pressure by turning the adjusting screw clockwise. Allow enough time between changes for the system to stabilize.

#### 5.3.1 Testing Valve Function

When the refrigeration system has been off for approximately 10-15 minutes, the water flow should stop.

Should the water continue to flow, the valve is either improperly adjusted or the pressure sensing capillary is not connected properly to the condenser.

#### 5.3.2 Manual Flushing

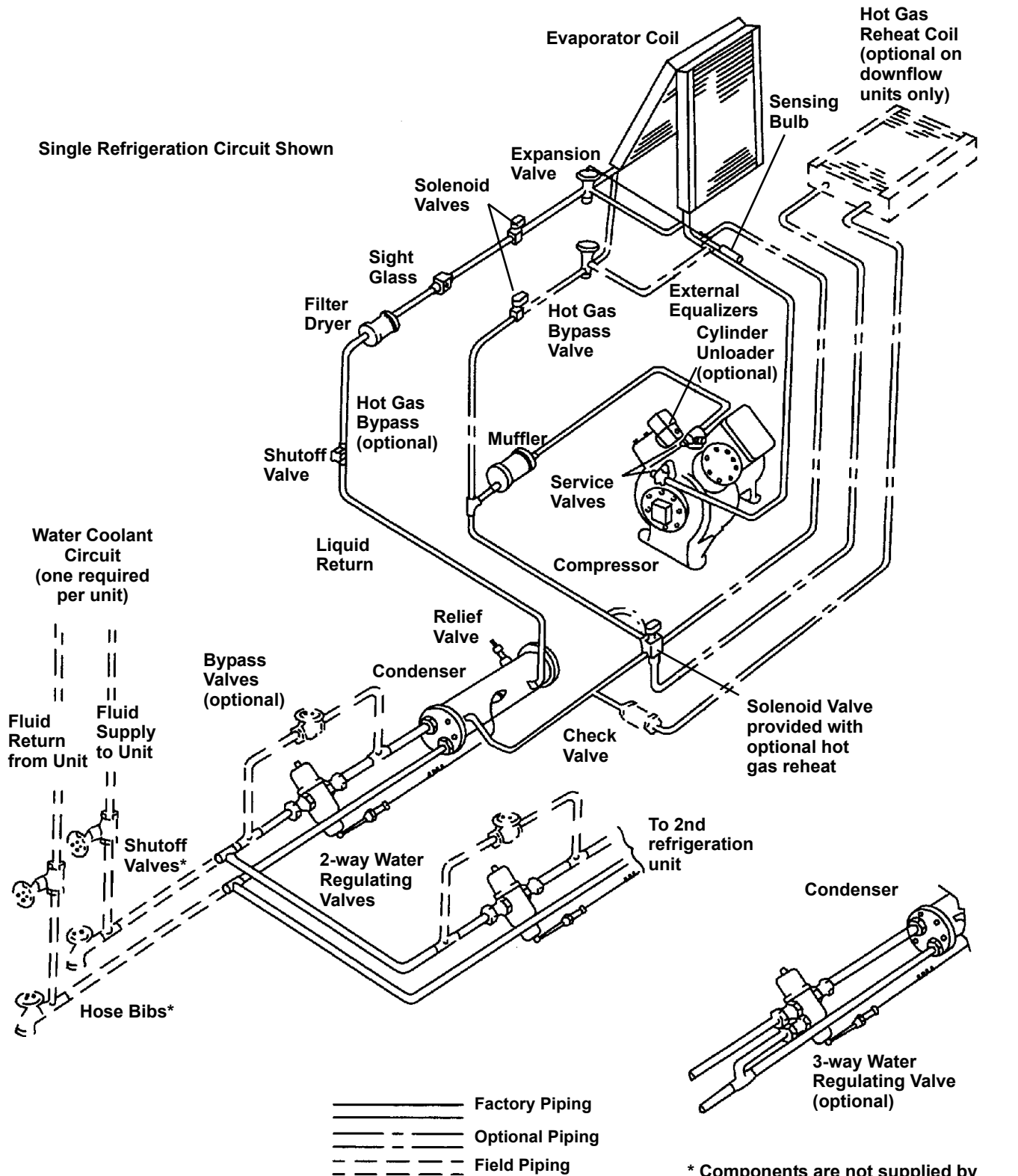
The valve may be flushed by inserting a screwdriver or similar tool under the two sides of the main spring and lifting. This action will open the valve seat and flush any dirt particles from the seat.

**Table 35 Refrigerant control settings for water cooled units—psi (kPa)**

| Refrigerant Type | Low Pressure Cut Out | Low Pressure Cut In | High Pressure Cut Out |
|------------------|----------------------|---------------------|-----------------------|
| R-22             | 20 (137.9)           | 65 (448.2)          | 360 (2482)            |



Figure 32 Water cooled general arrangement



DPN000543 Rev0

Figure 33 Downflow water cooled (DH) piping connections

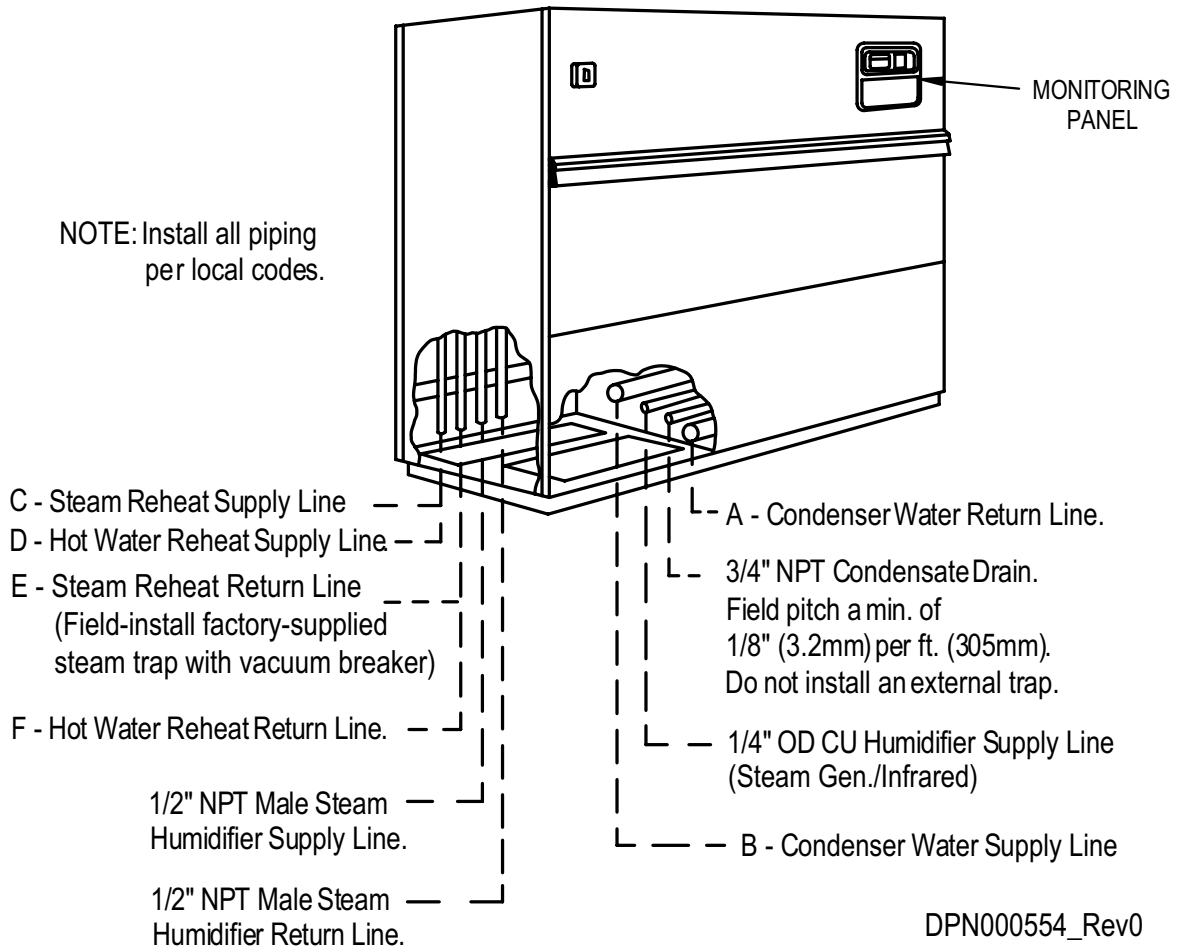


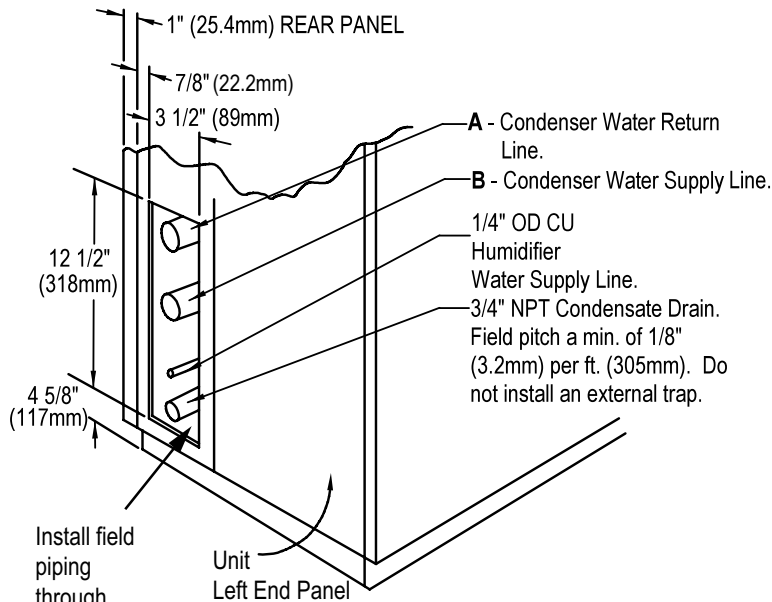
Table 36 Downflow water cooled (DH) piping connection sizes, inches

| Water Cooled Models<br>60 Hz (50 Hz) | A<br>(OD Cu) | B<br>(OD Cu) | C<br>(NPT Male) | D<br>(OD Cu) | E<br>(NPT Male) | F<br>(OD Cu) |
|--------------------------------------|--------------|--------------|-----------------|--------------|-----------------|--------------|
| DH086W (DH086W)                      | 1-5/8        | 1-5/8        | 1/2             | 5/8          | 1/2             | 5/8          |
| DH127W (DH128W)                      |              |              |                 |              |                 |              |
| DH138W (DH143W)                      |              |              |                 |              |                 |              |
| DH219W (DH219W)                      | 2-1/8        | 2-1/8        | 3/4             | 7/8          | 3/4             | 7/8          |
| DH267W (DH267W)                      |              |              |                 |              |                 |              |
| DH315W (DH315W)                      |              |              | NA              | NA           | NA              | NA           |
| DH412W (DH412W)                      |              |              |                 |              |                 |              |

**Figure 34 Upflow water cooled (VH) piping connections**

**UNIT CONNECTION LOCATIONS**

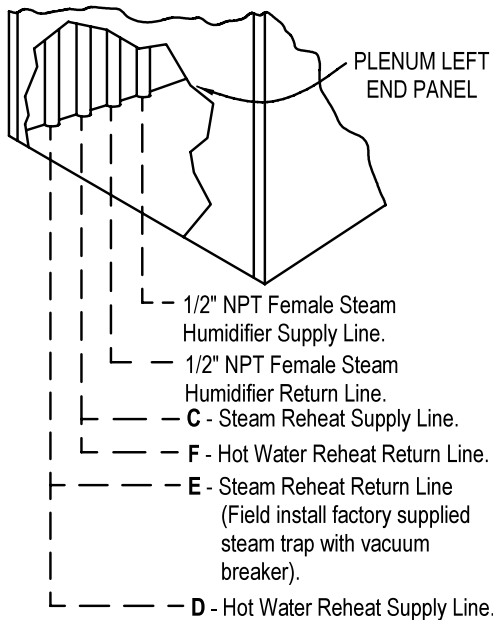
Piping stubbed out inside unit end compartment for field connection through 3 1/2" x 12 1/2" (89 x 318mm) opening as shown. Piping is recessed inside the unit and not flush as indicated. Piping may also exit through bottom of end compartment by field cutting an opening in a suitable location (except bottom return air units).



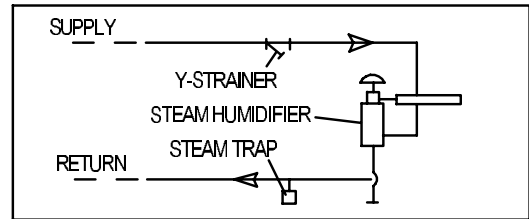
NOTE: Install all piping per local codes.  
**See Figure 37 for piping connecton sizes.**

**PLENUM CONNECTION LOCATIONS**

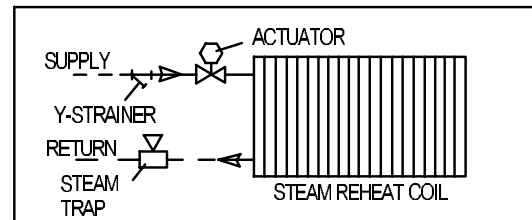
For separte steam or hot water plenum UPFLOW (VH) units, piping may exit through bottom, top or sides by field cutting an opening in a suitable location.



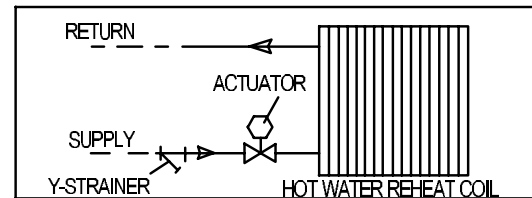
**OPTIONAL PLENUM REHEAT SCHEMATICS**



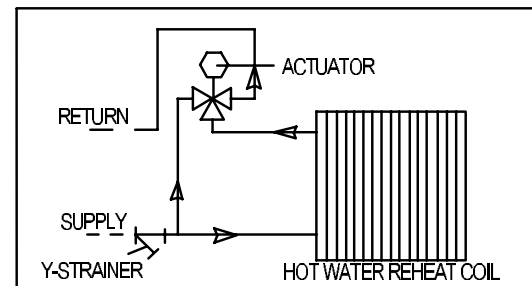
Optional Steam Humidifier



Optional Steam Reheat



Optional Hot Water Reheat (2-Way Valve)



Optional Hot Water Reheat (3-Way Valve)

DPN000555 Rev0

**Table 37** Factory-provided piping connection sizes, inches, upflow water cooled (VH)

| Water Cooled Models |         | A<br>OD Cu | B<br>OD Cu | C<br>NPT FEMALE | D<br>OD Cu | E<br>NPT FEMALE | F<br>OD Cu |
|---------------------|---------|------------|------------|-----------------|------------|-----------------|------------|
| 50 Hz               | 60 Hz   |            |            |                 |            |                 |            |
| VH-086W             | VH-086W | 1-5/8      | 1-5/8      | 1/2             | 5/8        | 1/2             | 5/8        |
| VH-128W             | VH-127W | 1-5/8      | 1-5/8      | 1/2             | 5/8        | 1/2             | 5/8        |
| VH-143W             | VH-138W | 1-5/8      | 1-5/8      | 1/2             | 5/8        | 1/2             | 5/8        |
| VH-219W             | VH-219W | 2-1/8      | 2-1/8      | 3/4             | 7/8        | 3/4             | 7/8        |
| VH-267W             | VH-267W | 2-1/8      | 2-1/8      | 3/4             | 7/8        | 3/4             | 7/8        |
| VH-315W             | VH-315W | 2-1/8      | 2-1/8      | NA              | NA         | NA              | NA         |
| VH-412W             | VH-412W | 2-1/8      | 2-1/8      | NA              | NA         | NA              | NA         |

## NOTES



**DISCONTINUED  
PRODUCT**

# Ensuring The High Availability Of Mission-Critical Data And Applications.

Emerson Network Power, the global leader in enabling business-critical continuity, ensures network resiliency and adaptability through a family of technologies—including Liebert power and cooling technologies—that protect and support business-critical systems. Liebert solutions employ an adaptive architecture that responds to changes in criticality, density and capacity. Enterprises benefit from greater IT system availability, operational flexibility and reduced capital equipment and operating costs.

## Technical Support / Service Web Site

[www.liebert.com](http://www.liebert.com)

### Monitoring

800-222-5877

[monitoring@emersonnetworkpower.com](mailto:monitoring@emersonnetworkpower.com)

Outside the US: 614-841-6755

### Single-Phase UPS

800-222-5877

[upstech@emersonnetworkpower.com](mailto:upstech@emersonnetworkpower.com)

Outside the US: 614-841-6755

### Three-Phase UPS

800-543-2378

[powertech@emersonnetworkpower.com](mailto:powertech@emersonnetworkpower.com)

### Environmental Systems

800-543-2778

Outside the United States

614-888-0246

### Locations

#### United States

1050 Dearborn Drive

P.O. Box 29186

Columbus, OH 43229

#### Europe

Via Leonardo Da Vinci 8

Zona Industriale Tognana

35028 Piove Di Sacco (PD) Italy

+39 049 9719 111

Fax: +39 049 5841 257

#### Asia

7/F, Dah Sing Financial Centre

108 Gloucester Road, Wanchai

Hong Kong

852 2572220

Fax: 852 28029250

While every precaution has been taken to ensure the accuracy and completeness of this literature, Liebert Corporation assumes no responsibility and disclaims all liability for damages resulting from use of this information or for any errors or omissions.

© 2006 Liebert Corporation

All rights reserved throughout the world. Specifications subject to change without notice.

® Liebert and the Liebert logo are registered trademarks of Liebert Corporation. All names referred to are trademarks or registered trademarks of their respective owners.

SL-18200\_REV1\_08-06

## Emerson Network Power.

The global leader in enabling Business-Critical Continuity™.

- |                    |                                |                             |                    |
|--------------------|--------------------------------|-----------------------------|--------------------|
| ■ AC Power Systems | ■ Embedded Computing           | ■ Outside Plant             | ■ Services         |
| ■ Connectivity     | ■ Embedded Power               | ■ Power Switching & Control | ■ Site Monitoring  |
| ■ DC Power Systems | ■ Integrated Cabinet Solutions | ■ Precision Cooling         | ■ Surge Protection |

[EmersonNetworkPower.com](http://EmersonNetworkPower.com)

Business-Critical Continuity, Emerson Network Power and the Emerson Network Power logo are trademarks and service marks of Emerson Electric Co.

©2006 Emerson Electric Co.

DISCONTINUED  
PRODUCT