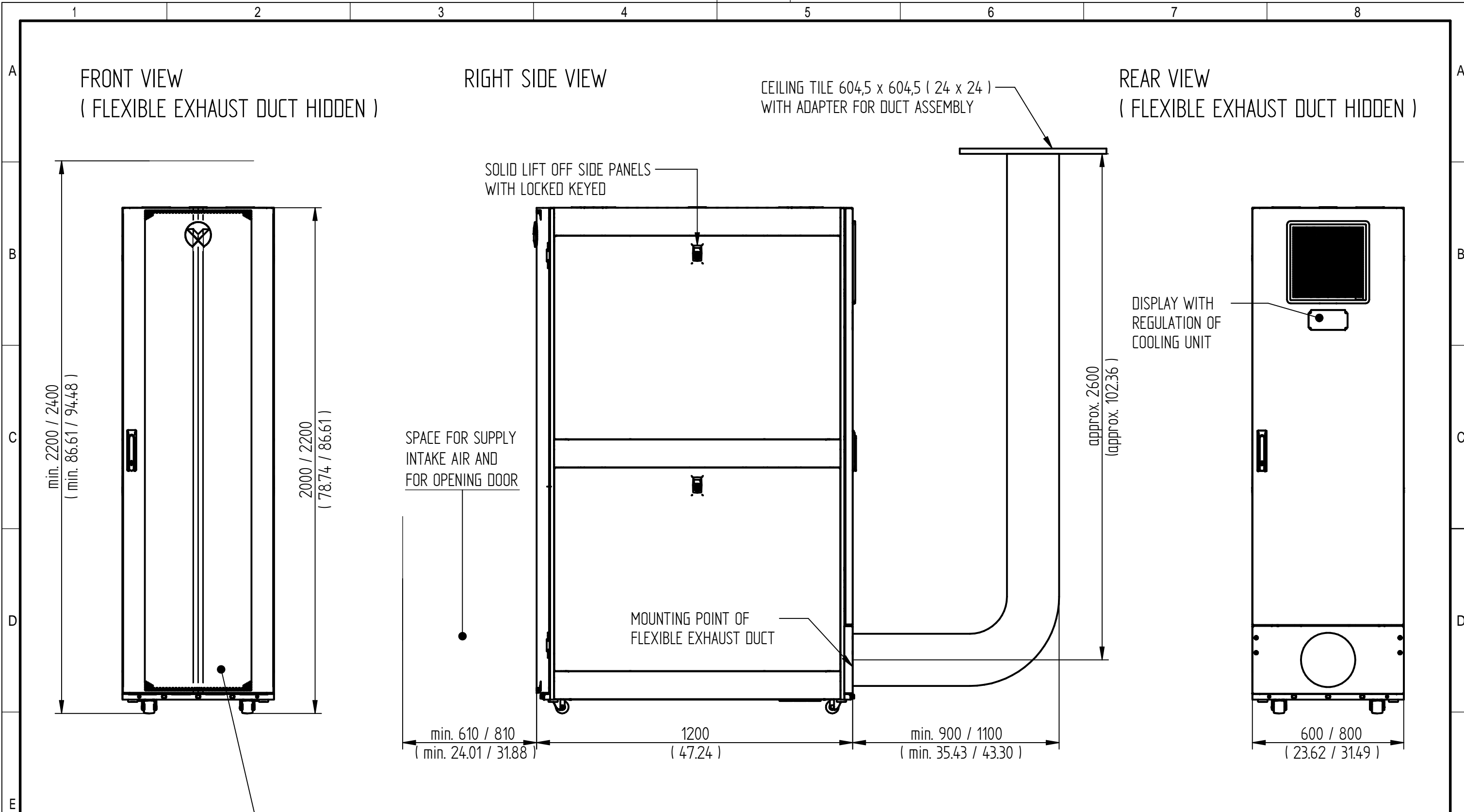
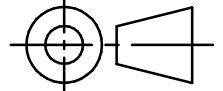


Disclosure and photocopying of this document, exploitation and communication of its contents are not permitted, unless permission is expressly granted. All rights are reserved.

Weitergabe sowie Vervielfältigung dieser Unterlage, Verwertung und Mitteilung ihres Inhalts nicht gestattet, soweit nicht ausdrücklich zugestanden. Alle Rechte vorbehalten.



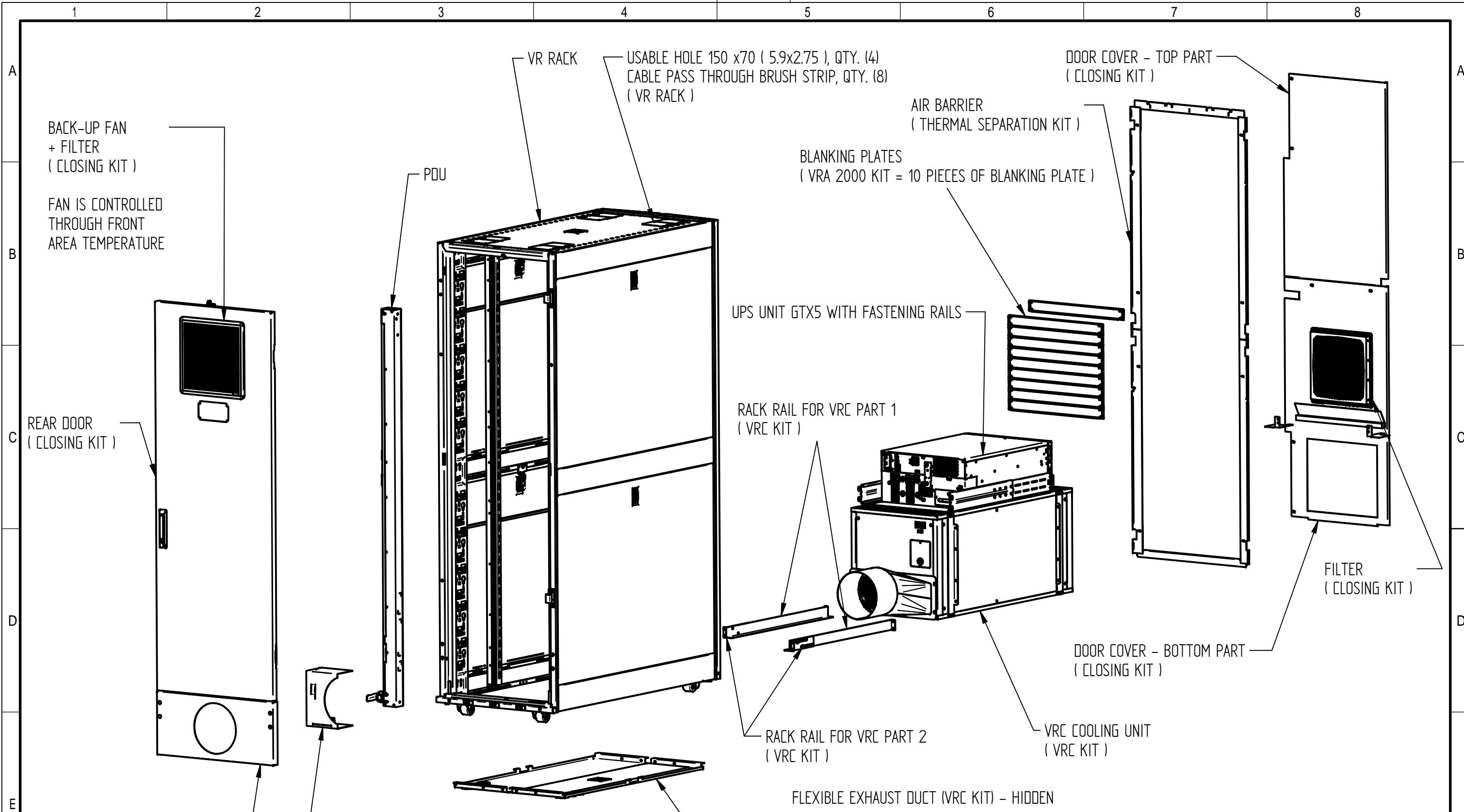
- NOTES:
1. ALL DIMENSIONS ARE MM (INCH)
 2. VERSION W600 INCLUDES 2 PDU PROFILES / VERSION W800 INCLUDES 4 PDU PROFILES

 Dimensions in mm	Allgemeintoleranzen General tolerances		Oberfläche Finish	Werkstoff / Material	Gewicht: Weight:
	-		-		
	Drawn	18/11/2020	Jan Vodolán	Bezeichnung / Description	
	Checked	18/11/2020	Jakub Franc	VRC-S (SELF CONTAINED) SUBMITTAL DRAWING	
	Approved	-	-	Zeichnungs-Nr. / Drawing no.	
				VRC-S 33XX-230VU	
				Verwendet in / Used in	
				Blatt/Sheet	
				1/5	



Disclosure and photocopying of this document, exploitation and communication of its contents are not permitted, unless permission is expressly granted. All rights are reserved.

Weitergabe sowie Vervielfältigung dieser Unterlage, Verwertung und Mitteilung ihres Inhalts nicht gestattet, soweit nicht ausdrücklich zugestanden. Alle Rechte vorbehalten.



BACK-UP FAN + FILTER (CLOSING KIT)
 FAN IS CONTROLLED THROUGH FRONT AREA TEMPERATURE

REAR DOOR (CLOSING KIT)

PLINTH (CLOSING KIT)

HOLDER FOR PUMP WITH CONDENSATION PUMP (VRC KIT)

USABLE DIAMETER 36 (1.41)
 BOTTOM PLATE + CABLE PASS THROUGH RUBBER MEMBRANE QTY. (6)
 MOUNTING FROM INDOOR SPACE OF RACK (THERMAL SEPARATION KIT)

NOTES:
 1. ALL DIMENSIONS ARE MM (INCH)
 2. VERSION W600 INCLUDES 2 PDU PROFILES / VERSION W800 INCLUDES 4 PDU PROFILES

VR RACK
 USABLE HOLE 150 x70 (5.9x2.75), QTY. (4)
 CABLE PASS THROUGH BRUSH STRIP, QTY. (8) (VR RACK)

BLANKING PLATES (VRA 2000 KIT = 10 PIECES OF BLANKING PLATE)

UPS UNIT GTX5 WITH FASTENING RAILS

RACK RAIL FOR VRC PART 1 (VRC KIT)

RACK RAIL FOR VRC PART 2 (VRC KIT)

AIR BARRIER (THERMAL SEPARATION KIT)

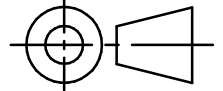

VRC COOLING UNIT (VRC KIT)

DOOR COVER - TOP PART (CLOSING KIT)

DOOR COVER - BOTTOM PART (CLOSING KIT)

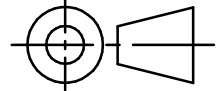

FILTER (CLOSING KIT)

FLEXIBLE EXHAUST DUCT (VRC KIT) - HIDDEN

 Dimensions in mm	Allgemeintoleranzen General tolerances		Oberfläche Finish	Werkstoff / Material	Gewicht: Weight:
	-		-		
	Drawn	18/11/2020	Jan Vodolán	Bezeichnung / Description	
	Checked	18/11/2020	Jakub Franc	VRC-S (SELF CONTAINED) SUBMITTAL DRAWING	
	Approved	-	-	Zeichnungs-Nr. / Drawing no.	
				VRC-S 33XX-230VU	
				Verwendet in / Used in	
				Blatt/Sheet 2/5	
Rev.	Change	Date	Name	 Vertiv Integrated Systems GmbH Mariakirchener Straße 38 94424 Arnstorf, Germany	
B	CO-1020811	10/12/2020	Vodolán		

UPS unit

UPS (Pre-installed in rack):	GXT5-6000IRT5UXLE									
Rating:	6000 VA/6000 W (system limited IT load max. 3,5 kW)									
Form factor	5U									
Unit dimensions HxDxW; (Inches)	217 mm x 630 mm x 430 mm (8.5" x 24.8" x 16.9")									
Unit weight	70,8 kg (156 lb)									
Input AC Parameters										
Operating Frequency, Nom.	50 or 60 Hz (factory-default is 50 Hz)									
User-configurable VAC	200/208/220/230/240 VAC [Adjustable using operation/display configuration options] (Factory-default is 230 VAC)									
Input plug	IEC60309 2P+E, 32A, 250V Splashproof IP44									
Cord length	5m (16.4 ft.)									
Output AC Parameters										
AC-AC Efficiency	94%									
Factory-default VAC, Frequency	230 VAC, 50 Hz									
Waveform	Sinewave									
Battery Parameters										
Type	Valve-regulated, non-spillable, lead acid									
Quantity x Voltage x Rating	16 x 12V x 9.0AH									
Battery Mfr./Part #	9AH; LEOCH/DJW12-9.0									
Back-up time:										
LOAD	6 kVA	5,4 kVA	4,8 kVA	4,2 kVA	3,6 kVA	3 kVA	2,4 kVA	1,8 kVA	1,2 kVA	0,6 kVA
BACKUP TIME	5,5 min	6,0 min	7,5 min	9,0 min	11,0 min	14,5 min	19,5 min	29,0 min	48,0 min	100,0 min
Communication card										
	IntelliSlot™ RDU101™									
Environmental										
Operating Temperature	0°C to 40°C (32°F to 104°F) (no derating)									
Storage Temperature	-15°C to 40°C (5°F to 104°F)									
Relative Humidity	0 – 95% non-condensing									
Operating Elevation	Up to 3,000 m (9,842.5 ft) at 25°C (77°F) without derating									
Audible Noise	<55 dBA, at 1 meter from the front, <50 dBA, at 1 meter from rear or sides									
Agency										
Safety	IEC62040-1:2008 version, GS mark									
EMI/EMC/C-Tick EMC	IEC/EN/AS 62040-2 2nd Ed (Cat 2 – Table 6)									
ESD	IEC/EN EN61000-4-2, Level 4, Criteria A									
Radiated Susceptibility	IEC/EN EN61000-4-3, Level 3, Criteria A									
Electrical Fast Transient	IEC/EN EN61000-4-4, Level 4, Criteria A									
Surge Immunity	IEC/EN EN61000-4-5, Level 4, Criteria A									
Transportation	ISTA Procedure 1E									

 Dimensions in mm	Allgemeintoleranzen General tolerances		Oberfläche Finish		Werkstoff / Material		Gewicht: Weight:		
	-		-						
		Date	Name		Bezeichnung / Description				
		Drawn	18/11/2020	Jan Vodolán		SUBMITTAL DRAWING			
		Checked	18/11/2020	Jakub Franc					
		Approved	-	-					
						Zeichnungs-Nr. / Drawing no.		Maßstab Scale	
						VRC-S 33XX-230VU			
Rev.	Change	Date	Name	Vertiv Integrated Systems GmbH Mariakirchener Straße 38 94424 Arnstorf, Germany		Verwendet in / Used in		Blatt/Sheet 4/5	

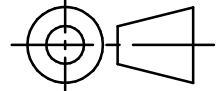

Disclosure and photocopying of this document, exploitation and communication of its contents are not permitted, unless permission is expressly granted. All rights are reserved.

Weitergabe sowie Vervielfältigung dieser Unterlage, Verwertung und Mitteilung ihres Inhalts nicht gestattet, soweit nicht ausdrücklich zugestanden. Alle Rechte vorbehalten.

VRC-S Rack accessories compatibility chart

MODEL	ACCESSORIES																							
	VRA1000	VRA1001	VRA1002	VRA1003	VRA1004	VRA1005	VRA1006	VRA1007	VRA1008	VRA1009	VRA1010	VRA1011	VRA1013	VRA1014	VRA1015	VRA1016	VRA1017	VRA1018	VRA1020	VRA1021	VRA1022	VRA1023	VRA1024	
SELF CONTAINED																								
VRCS3300-208VU	-	-	-	-	X	X	X	X	X	X	X	X	-	-	-	-	-	-	-	X	-	-	-	
VRCS3350-208VU	X	X	X	X	X	X	X	X	X	X	X	X	-	-	-	X	-	X	-	X	X	X	-	
VRCS3307-208VU	X	X	X	X	X	X	X	X	X	X	X	X	-	-	X	-	-	-	-	X	X	X	-	
VRCS3357-208VU	X	X	X	X	X	X	X	X	X	X	X	X	-	-	-	-	X	-	X	X	X	X	-	

VRA1024	Horizontal Cable Organizer Side Channel 22 to 38 inch adjustment (Qty. 1)
VRA1023	1U x 6" Deep Horizontal Cable Manager, Single-Sided with Cover (Qty. 1)
VRA1022	2U x 6" Deep Horizontal Cable Manager, Single-Sided with Cover (Qty. 1)
VRA1021	Vertical Cable Organizer, 8 Cable Rings, Zero U (Qty. 2)
VRA1020	Hinged Covers 800mm Wide 48U Vertical Cable Manager (Qty. 2)
VRA1018	Hinged Covers 800mm Wide 42U Vertical Cable Manager (Qty. 2)
VRA1017	Vertical Cable Manager for 800mm Wide 48U (Qty. 2)
VRA1016	Vertical Cable Manager for 800mm Wide 42U (Qty. 2)
VRA1015	Vertical Cable Manager for 600mm Wide 48U (Qty. 2)
VRA1014	Vertical Cable Manager 600mm Wide 42U (Qty. 2)
VRA1013	Horizontal Cable Organizer Side Channel 20 to 33 inch adjustment (Qty. 1)
VRA1011	Tool less D-Rings Large (Qty. 100)
VRA1010	Tool less D-Rings Large (Qty. 10)
VRA1009	Tool less D-Rings small (Qty. 100)
VRA1008	Tool less D-Rings small (Qty. 10)
VRA1007	Tool Less Cable Management - Velcro Strap (Qty. 100)
VRA1006	Tool Less Cable Management - Lobster Claw (Qty. 100)
VRA1005	Tool Less Cable Management - Velcro Strap (Qty. 10)
VRA1004	Tool Less Cable Management - Lobster Claw (Qty. 10)
VRA1003	2U x 4" Deep Horizontal Cable Manager, Single-Sided with Cover (Qty. 1)
VRA1002	Horizontal Cable Manager, 1U x 4" Deep, Single-Sided with Cover (Qty. 1)
VRA1001	2U Horizontal Cable Organizer 2U with Metal D Rings (Qty. 1)
VRA1000	1U Horizontal Cable Organizer with Metal D Rings (Qty. 1)

 <p>Dimensions in mm</p>	Allgemeintoleranzen General tolerances		Oberfläche Finish	Werkstoff / Material		Gewicht: Weight:
	-		-			
	Drawn	Date	Name	Bezeichnung / Description		
	Checked	18/11/2020	Jan Vodolán	VRC-S (SELF CONTAINED) SUBMITTAL DRAWING		
	Approved	-	-			
				Zeichnungs-Nr. / Drawing no.	Maßstab Scale	
	Vertiv Integrated Systems GmbH Mariakirchener Straße 38 94424 Arnstorf, Germany			VRC-S 33XX-230VU		
Rev.	Change	Date	Name	Verwendet in / Used in		Blatt/Sheet
B	CO-1020811	10/12/2020	Vodolán	-		5/5

Disclosure and photocopying of this document, exploitation and communication of its contents are not permitted, unless permission is expressly granted. All rights are reserved.

Weitergabe sowie Vervielfältigung dieser Unterlage, Verwertung und Mitteilung ihres Inhalts nicht gestattet, soweit nicht ausdrücklich zugestanden. Alle Rechte vorbehalten.