

Vertiv™ Hail Guard Kit for CoolPhase Condensing Units of 15 kW



For Part Number: CUHAILGRD-15.

Quick Installation Guide

Safety Instructions: Read these instructions before and during installation process. Keep this document after installation.

Hail Guards protect the coil against hail produced during storms. This accessory should be added when the unit is in a place with extreme hail weather conditions.

The following tools/equipment are required for the kit installation to the Unit:

- Screwdriver, for screw tightening and securing them to the condenser.
- Safety Gloves, for personal protection during installation.

Kit Components

Item	Description	Qty.
1	Side Hail Guard	1
2	Back Hail Guard	1

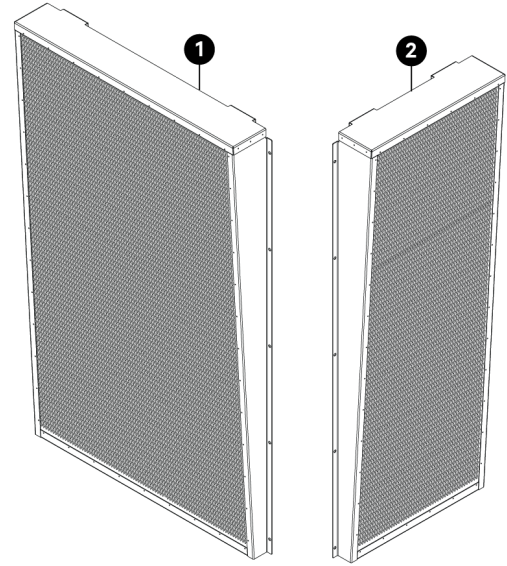
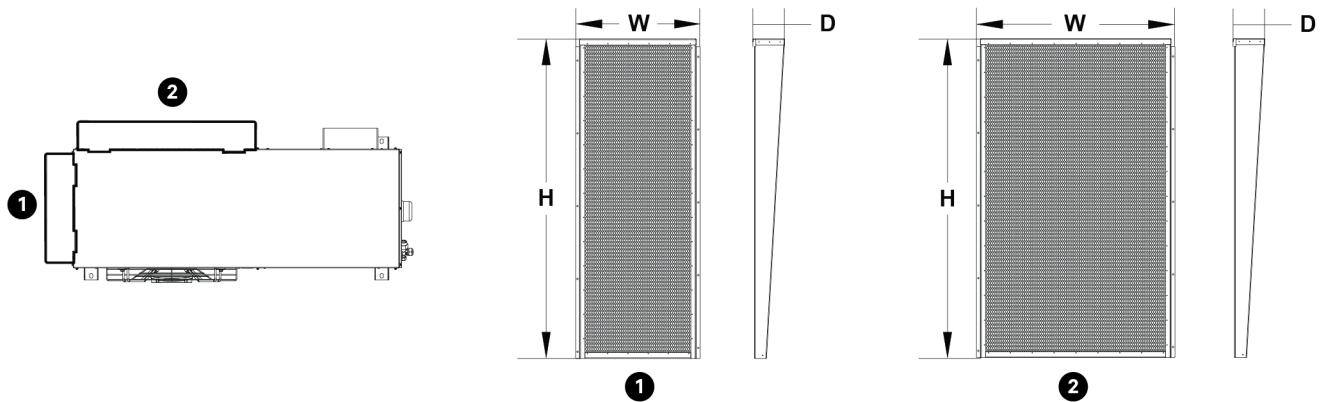


Figure 1. Hail Guard Kit components.

Specifications and Compatibility

SKU	Description	Hail Guard Dimensions (Width x Depth x Height) in (mm)		Compatible Condensing Unit Model
		Side Hail Guard	Back Hail Guard	
CUHAILGRD-15	Hail Guards for 15 KW Units	16 x 4 x 41.5 (411 x 105 x 1054)	26 x 4 x 41.5 (657 x 105 x 1054)	CUD15 CUL15

Figure 2. Hail Guard Kit dimensions and location.



Item	Description	Item	Description
1	Side Hail Guard	2	Back Hail Guard

Vertiv™ Hail Guard Kit for CoolPhase Condensing Unit of 15 kW

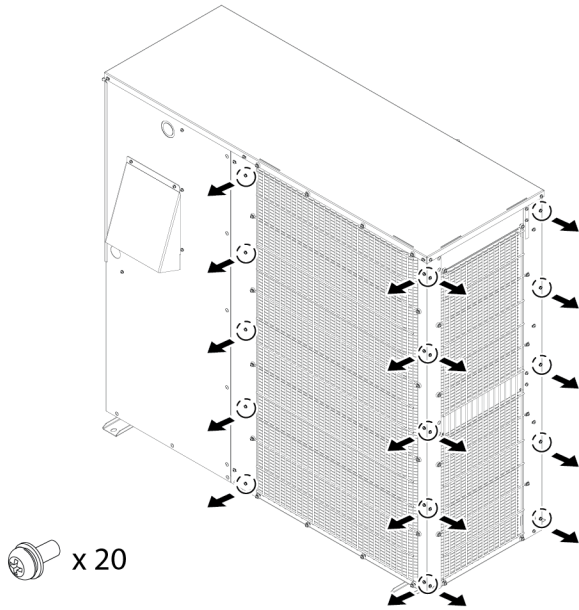
For Part Number: CUHAILGRD-15.



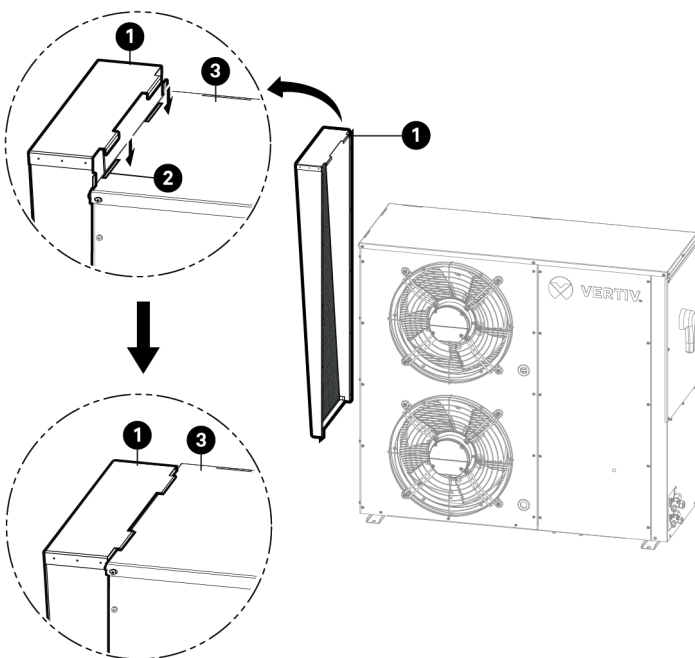
Quick Installation Guide

Installation Procedure

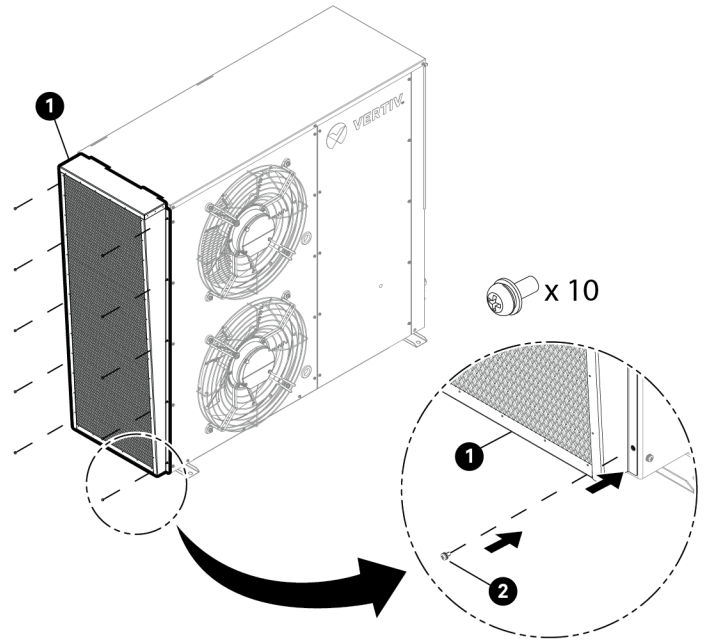
1. The twenty M4 screws needed are already attached to the Condensing Unit in the locations shown below. Remove them before installing the Hail Guard kit.



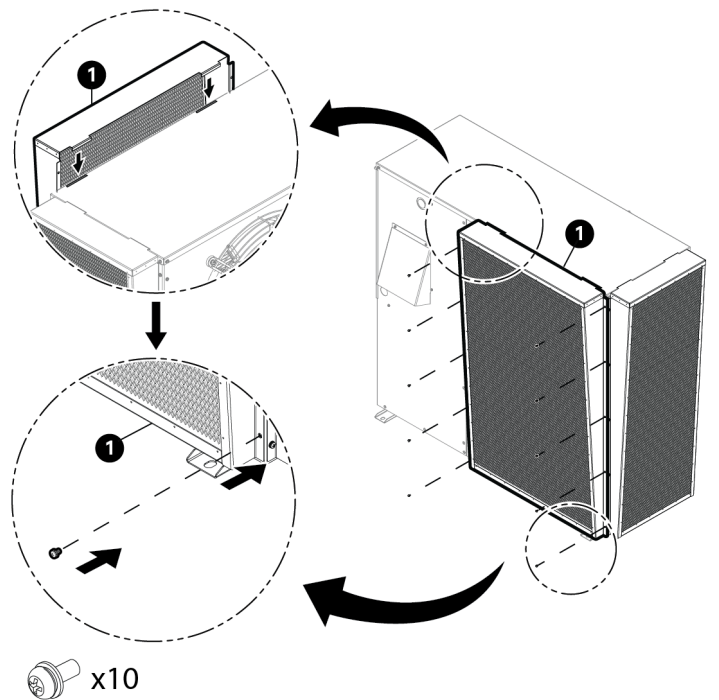
2. After removing the screws, take the right hail guard (1) and insert the two flanges into the two cavities (2) on the top of the unit (3) shown below.



3. Once the Hail Guard is placed (1), secure it using ten of the M4 screws (2) using a screwdriver.



4. Repeat steps two and three with the Back Hail Guard (1) on the back of the unit using the 10 M4 screws remaining.



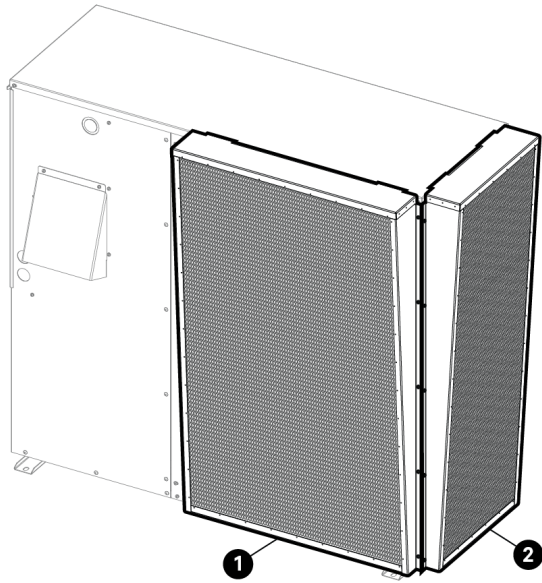
Vertiv™ Hail Guard Kit for CoolPhase Condensing Unit of 15 kW



For Part Number: CUHAILGRD-15.

Quick Installation Guide

5. After installing both items (1, 2), proceed with the Unit installation process indicated in the User Manual.

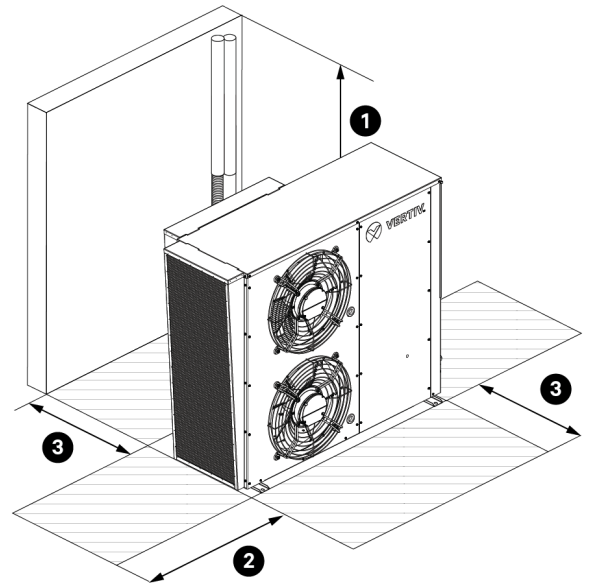


Installation Considerations

Clearance requirements

The following guidelines are needed to ensure optimal airflow, performance, and maintenance of the unit while having the Hail Guards installed:

- 1- Top: 12 in (300 mm) clearance.
- 2- Sides: 24 in (600 mm) clearance.
- 3- Front/Back: 12 in (300 mm) clearance.



DO NOT install this kit in the following scenarios:

Low Hail Risk Areas

- In regions where hailstorms are extremely rare or nonexistent.

Protected Location

- A hail guard may not be needed if the condensing unit is already sheltered (e.g., under an overhang, inside a well-protected enclosure, or in a covered area).

NOTE: With the Hail Guard kit installed, the maximum ambient air temperature is 118.4°F (48°C), but cooling capacity will be reduced by 2% in high ambient temperatures.

NOTE: If both the Hail Guard and Wind Baffle kits are installed, the maximum ambient air temperature is 118.4°F (48°C), but the cooling capacity decreases by approximately 3.5% in high ambient temperatures.



To contact Vertiv Technical Support: visit www.Vertiv.com

© 2025 Vertiv Group Corp. All rights reserved. Vertiv™ and the Vertiv logo are trademarks or registered trademarks of Vertiv Group Corp. All other names and logos referred to are trade names, trademarks or registered trademarks of their respective owners. While every precaution has been taken to ensure accuracy and completeness here, Vertiv Group Corp. assumes no responsibility, and disclaims all liability, for damages resulting from use of this information or for any errors or omissions.

