

Vertiv™ CoolPhase Ceiling Duct Flange Kit



Quick Installation Guide

Purpose: This instruction gives detailed information of installing the Vertiv™ CoolPhase Ceiling Duct Flange Kit for 1, 2 and 3 Ton, 4 and 5 Ton, and 8 Ton.

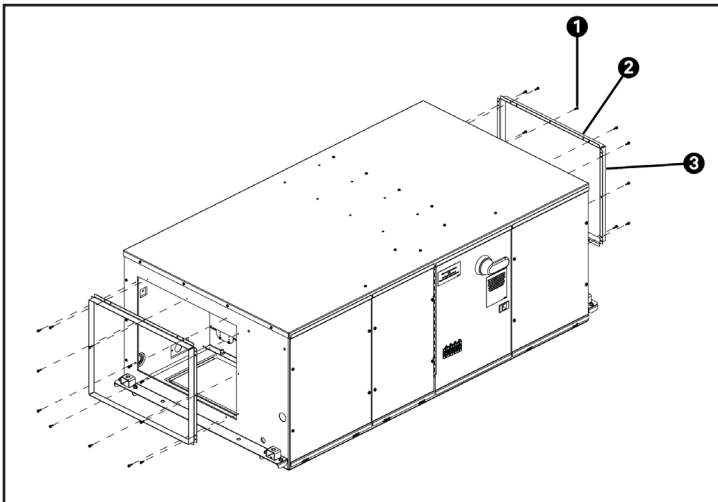
Safety alerts: See unit installation manual for unit location, hanging, and installation requirements.

Warning: Arc flash and electric shock hazard. Open all local and remote electric power supply disconnect switches, verify with a voltmeter that power is off and wear personal protective equipment (PPE) per NFPA 70E before opening and working within electric control enclosure. Failure to comply can cause serious injury or death. Use only trained and fully qualified HVAC technicians to install this kit.

Caution: Risk of improper installation. Can cause building and equipment damage and personal injury. Do not allow full weight of the unit to rest on the grilles. This could cause the grille assembly to fall and be damaged or injure someone below.

**1, 2 and 3 Ton (Model: MMI12 / MMI24 / MMI 36,
Part Number: CEILFILTB-XS and CEILFILTB-S)**

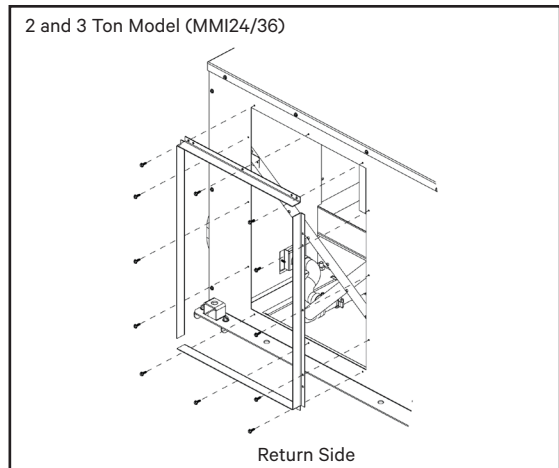
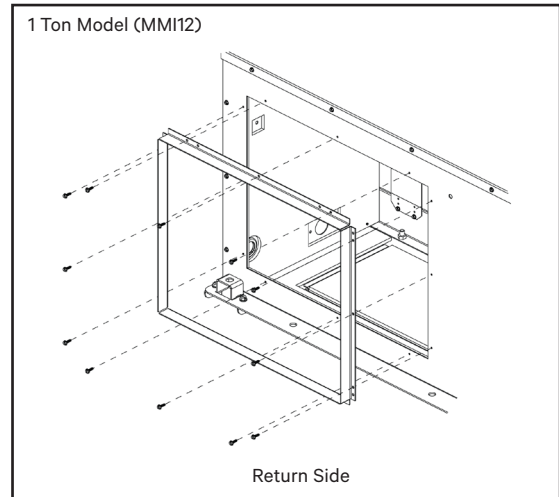
Components:



Item	Description	Quantity
1	Screw TPG HWH SLT B Z 8 X 1/2	24
2	MMI12/24/36 Duct flange H	4
3	MMI12/24/36 Duct flange V	4

Installation Instructions:

1. Use the center hole in either of the duct flanges to align it with the corresponding side, either horizontal or vertical of the supply or discharge end of unit.
2. Install the duct flanges onto the unit using the screws provided in the kit.



Note: Discharge duct flanges are installed in the same way for 1, 2 and 3 ton models.

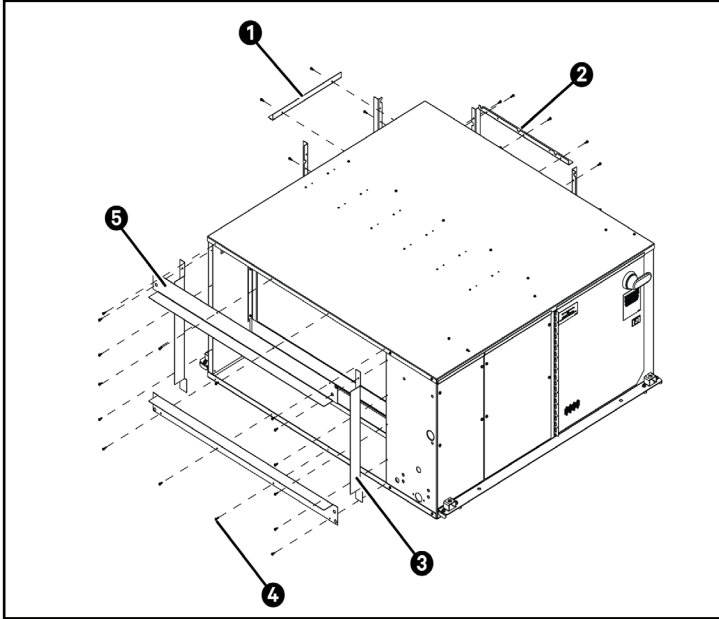
Vertiv™ CoolPhase Ceiling Duct Flange Kit

Quick Installation Guide



4 and 5 Ton (Model: MMI48 / MMI60, Part Number: CEILFILTB-M)

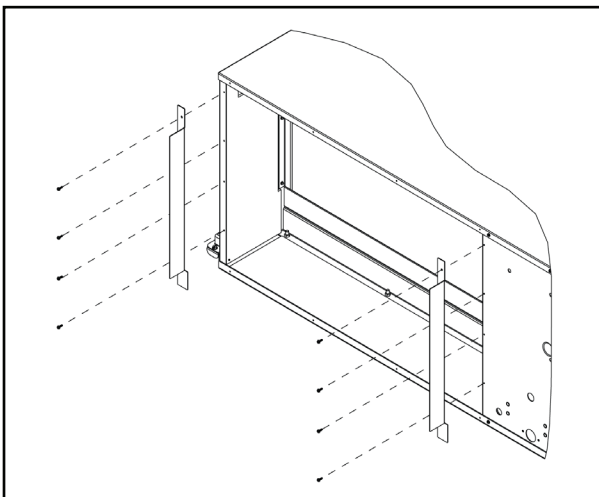
Components:



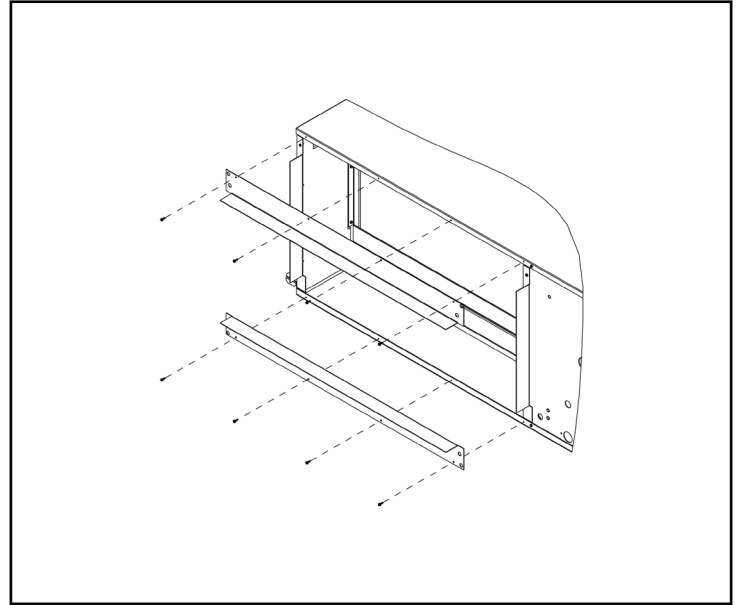
Item	Description	Quantity
1	MMI48/60 Duct flange supply V	2
2	MMI48/60 Duct flange supply	6
3	MMI48/60 Duct flange return V	2
4	Screw TPG HWH SLT B Z 8 X 1/2	32
5	MMI48/60 Duct flange return H	2

Installation Instructions:

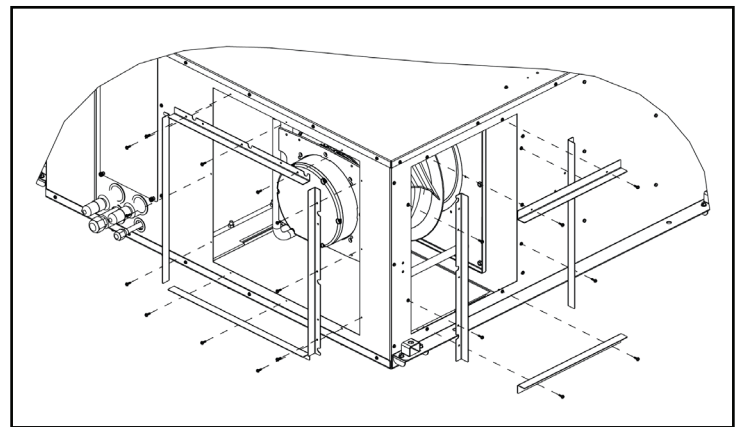
1. Install the vertical return air duct flanges onto the unit using the screws included in the kit.



2. Install the horizontal return air duct flanges onto the unit using the screws included in the kit.



3. Install the supply air duct flanges onto the unit using the screws included in the kit.



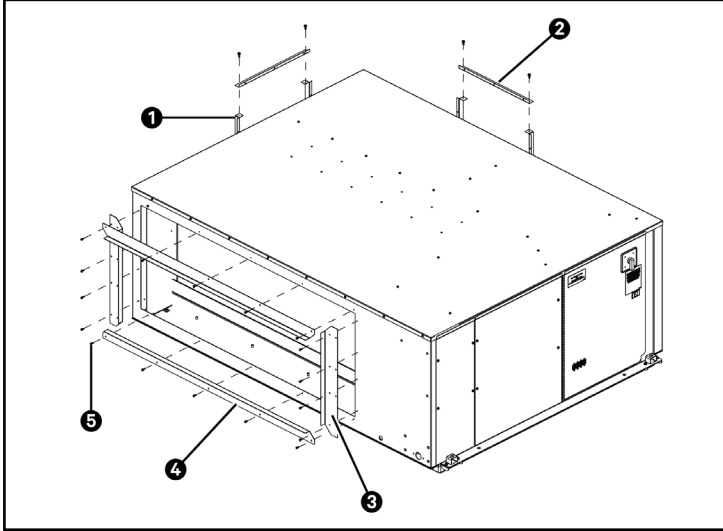
Vertiv™ CoolPhase Ceiling Duct Flange Kit

Quick Installation Guide



8 Ton (Model: MMI96, Part Number: CEILFILTB-L)

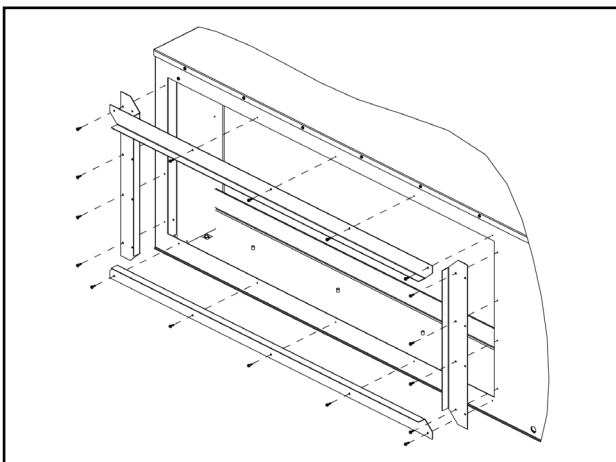
Components:



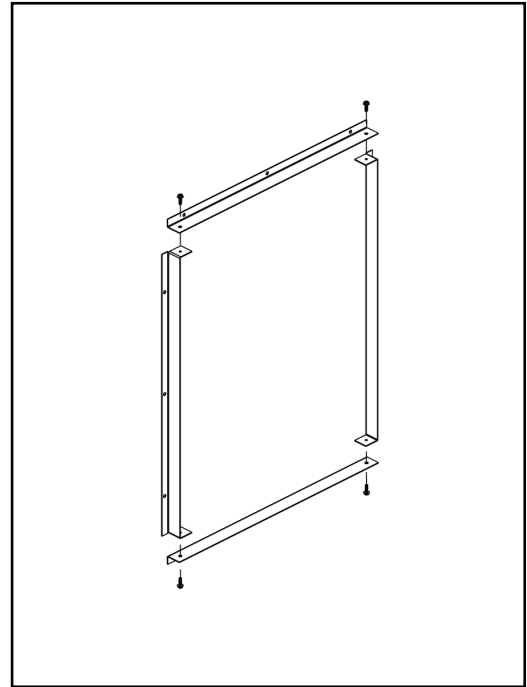
Item	Description	Quantity
1	MMI96 Duct flange supply V	4
2	MMI96 Duct flange supply H	4
3	MMI96 Duct flange return V	2
4	MMI96 Duct flange return H	2
5	Screw TPG HWH SLT B Z 8 X 1/2	50

Installation Instructions:

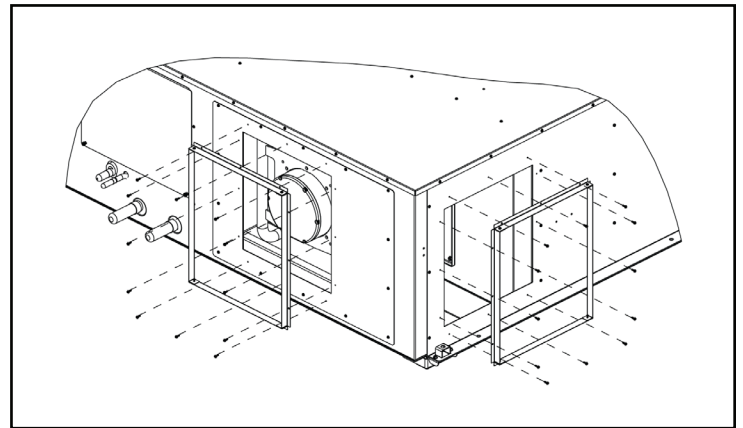
1. Install the return air duct flanges onto the unit using the screws included in the kit.



2. Install the return air duct flanges together using the screws provided in the kit.



3. Install both supply air duct flanges onto the unit using the screws provided in the kit.





To contact Vertiv Technical Support: visit www.Vertiv.com

©2025 Vertiv Group Corp. All rights reserved. Vertiv™ and the Vertiv logo are trademarks or registered trademarks of Vertiv Group Corp. All other names and logos referred to are trade names, trademarks or registered trademarks of their respective owners. While every precaution has been taken to ensure accuracy and completeness here, Vertiv Group Corp. assumes no responsibility, and disclaims all liability, for damages resulting from use of this information or for any errors or omissions. Specifications, rebates and other promotional offers are subject to change at Vertiv's sole discretion upon notice.

