

Vertiv™ CoolPhase Ceiling Supply and Return Grille



Quick Installation Guide

Purpose: This instruction gives detailed information of installing the Vertiv™ CoolPhase Ceiling Supply and Return Grille for 1 Ton, 2 and 3 Ton models.

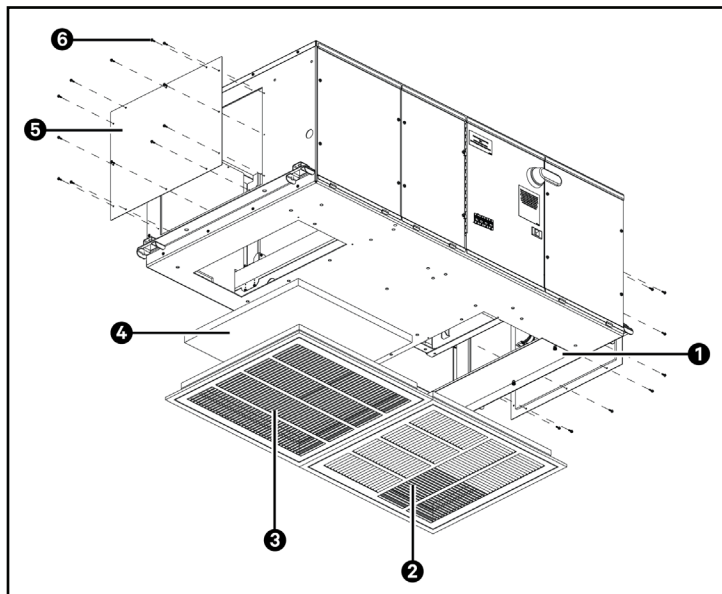
Safety alerts: See unit installation manual for unit location, hanging, and installation requirements.

Warning: Risk of contact with high-speed rotating fan blades. Can cause serious injury or death. Open all local and remote electric power-supply disconnect switches, verify with a voltmeter that power is off, and verify that all fan blades have stopped rotating before working in the unit cabinet or on the fan assembly. If control voltage is applied, the fan motor can restart without warning after a power failure. Do not operate the unit with any or all cabinet panels removed.

Caution: Risk of improper installation. Can cause building and equipment damage and personal injury. Do not allow full weight of the unit to rest on the grilles. This could cause the grille assembly to fall and be damaged or injure someone below.

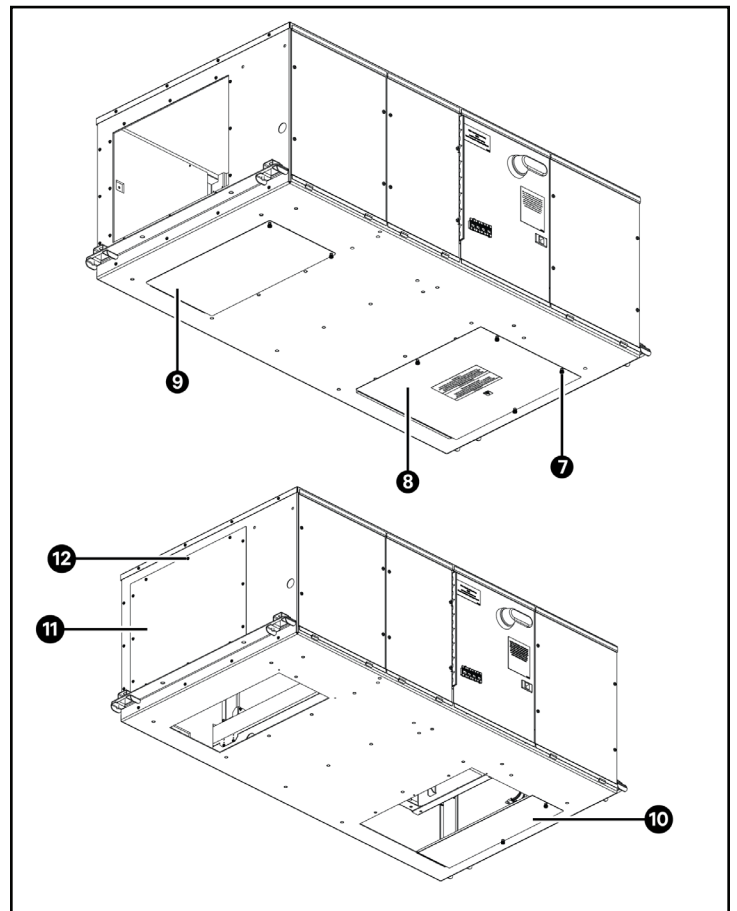
1 Ton, 2 and 3 Ton (Model: MMI12, MMI24 / MMI 36, Part Number: CEILGRILLE-XS and CEILGRILLE-S)

Components



Item	Description	Quantity
1	Plate supply cut	1
2	Grill lanced 2 x 2 filter 3 W	1
3	Grill lanced 2 x 2 filter 1 W	1
4	Filter 20 x 20 x 1 MERV 8	1
5	Return/discharge side cover*	2
6	Screw TPG HWH SLT B Z 8 x 1/2	1

*The cover size depends on the unit.



Item	Description
7	Thumb screws
8	Discharge bottom cover
9	Return bottom cover
10	Plate supply cut
11	Return/supply cover
12	Screw SD HWH Z 8-18 x 1/2

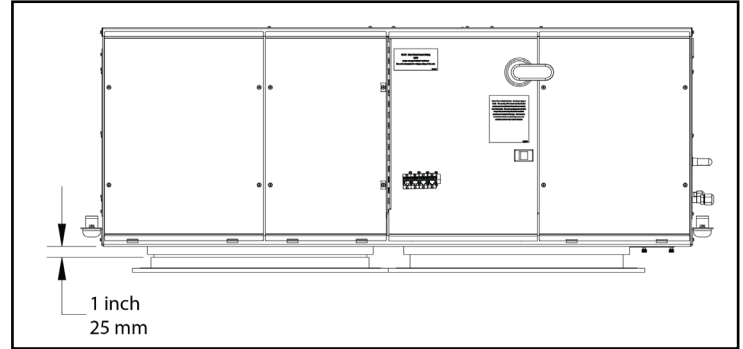
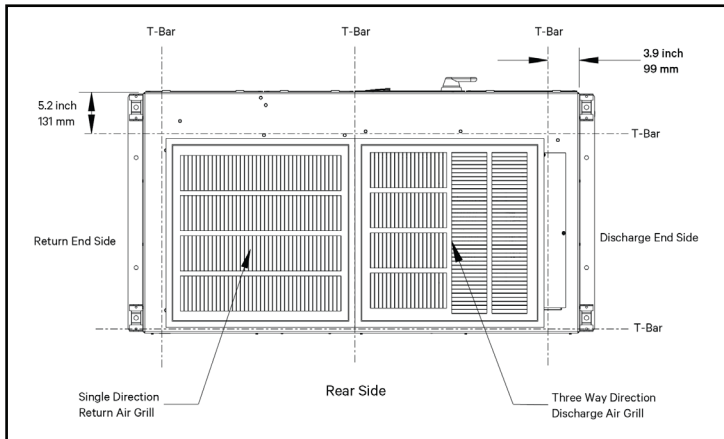
Installation Instructions

Note: The grilles rests inside the T-Bar ceiling grid and the plates attach to the unit. The CoolPhase Ceiling unit is larger than the nominal 2 X 4 ft grill kit and T-Bar ceiling grid. The unit supply and return air openings must be properly located over the ceiling grid.

Do not operate the unit without the filter installed in the return air grill.

1. Remove the thumb screws holding the return and discharge opening covers on the bottom of the indoor air unit.
2. Install the return/discharge side cover on the ends of the indoor air unit using the screw SD HWH Z 8-18 x 1/2.
3. Install the unit approximately in alignment with the ceiling T-bars, as shown in the figure below, to ensure proper plenum fit and ease of installation.

4. Place the grille assemblies into the T-Bar ceiling grid. The return air at the bottom left side must have single direction louvers with the filter installed. The discharge air at the bottom right side must have three-way direction louvers with the air directed towards the right, front, and rear of the cabinet.



To contact Vertiv Technical Support: visit www.Vertiv.com

© 2025 Vertiv Group Corp. All rights reserved. Vertiv™ and the Vertiv logo are trademarks or registered trademarks of Vertiv Group Corp. All other names and logos referred to are trade names, trademarks or registered trademarks of their respective owners. While every precaution has been taken to ensure accuracy and completeness here, Vertiv Group Corp. assumes no responsibility, and disclaims all liability, for damages resulting from use of this information or for any errors or omissions.

