

Vertiv™ CoolPhase Ceiling Filter Box Kit



Quick Installation Guide

Purpose: This instruction gives detailed information of installing the Vertiv™ CoolPhase Ceiling Filter Box Kit for 1 Ton, 2 and 3 Ton, 4 and 5 Ton, and 8 Ton. The kit includes a MERV 8 filter as well as duct flanges for supply air connection.

Safety alerts: See unit installation manual for unit location, hanging, and installation requirements.

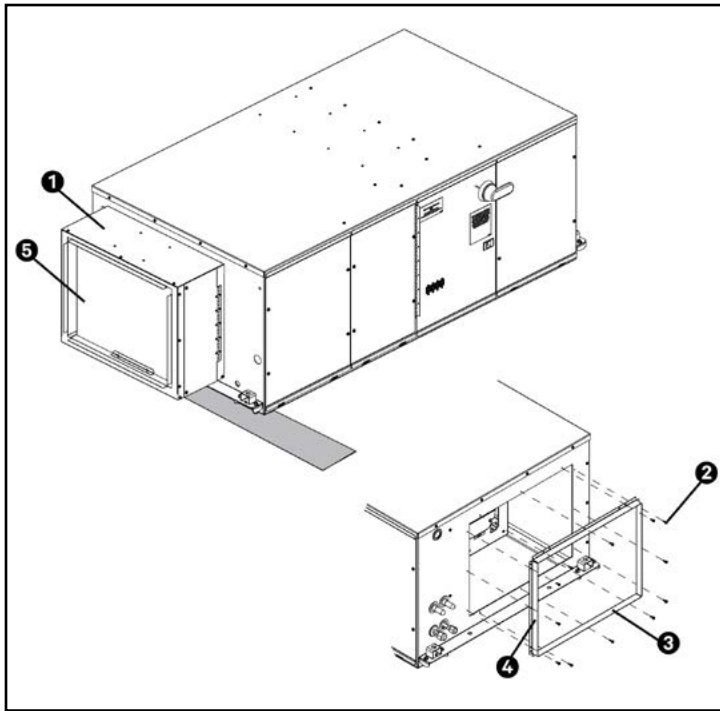
Warning: Arc flash and electric shock hazard. Open all local and remote electric power supply disconnect switches, verify with a voltmeter that power is off and wear personal protective equipment (PPE) per NFPA 70E before opening and working within electric control enclosure. Failure to comply can cause serious injury or death. Use only trained and fully qualified HVAC technicians to install this kit.

Caution: Risk of improper installation. Can cause building and equipment damage and personal injury. Do not allow full weight of the unit to rest on the grilles. This could cause the grille assembly to fall and be damaged or injure someone below.

Notice: Risk of freezing the chilled water coil. Can cause piping rupture and water leaks resulting in expensive building and equipment damage. Do not remove the motor access plate from the blower assembly.

1 Ton (Model: MMI12, Part Number: CEILFILTB-XS)

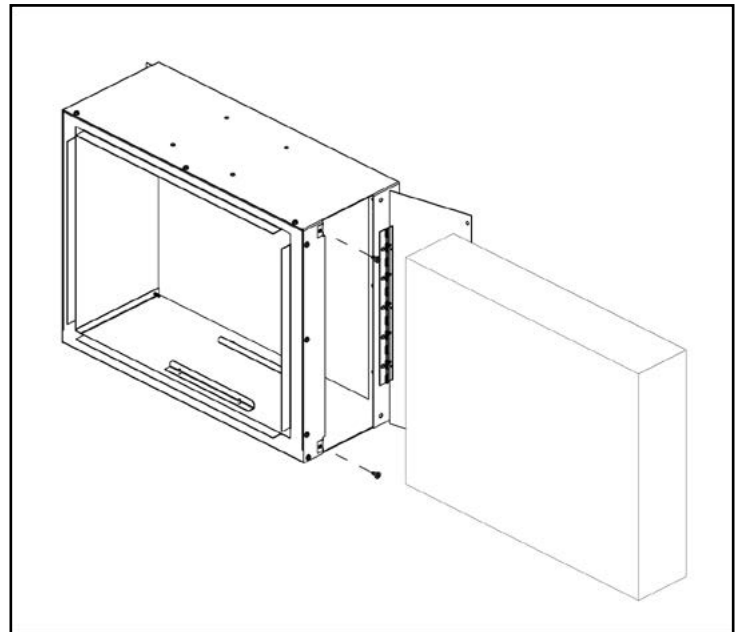
Components:



NOTE: Maintain a minimum clearance of 30 in. (762 mm) in front of the filter access door to ensure adequate space for component access and removal.

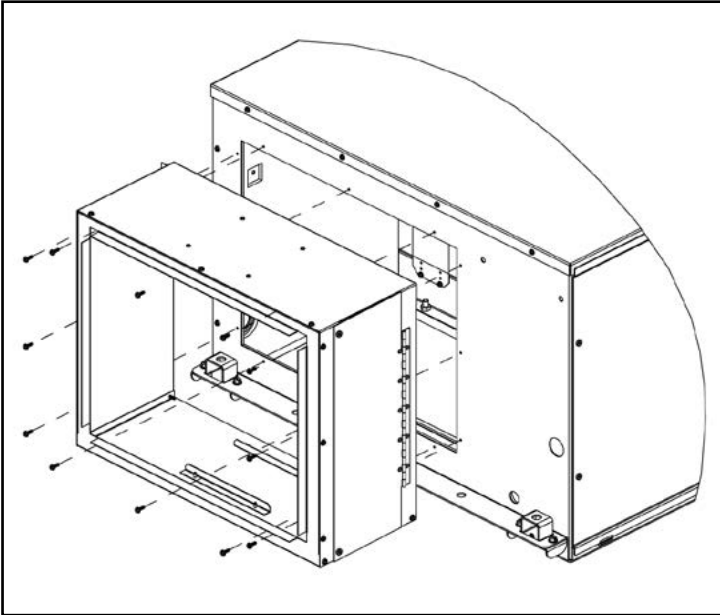
Installation Instructions:

1. Remove the phillips screws and open the filter access door to remove the MERV 8 filter and gain access to the filter box mounting holes.

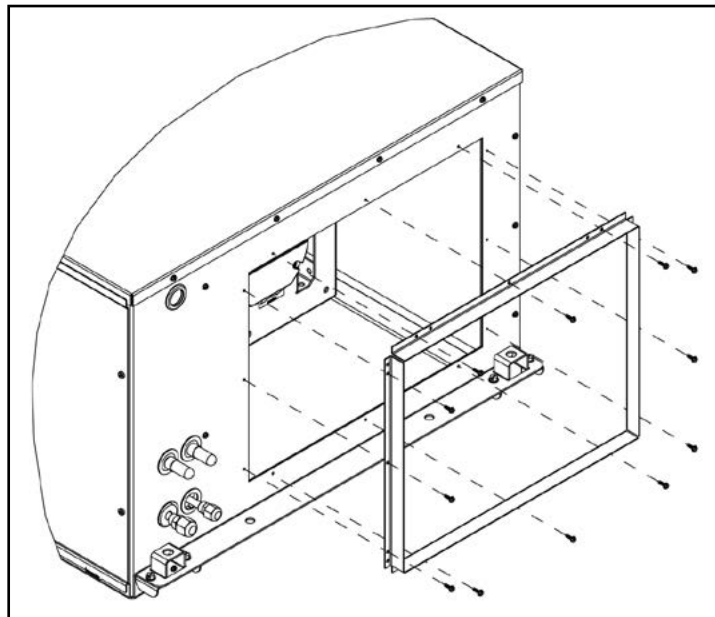


Item	Description	Quantity
1	Filter box assembly MMI12	1
2	Screw TPG HWH SLT B Z 8 X 1/2	24
3	MMI12 Duct flange H	2
4	MMI12 Duct flange V	2
5	Filter 16X20X4 MERV 8	1

2. Locate the return opening of the unit and align the unit holes with the filter box holes and use provided screws from the kit to install it correctly. In the supply opening match the corresponding duct flanges with its holes to the unit and install them as shown.



Return Side of Unit

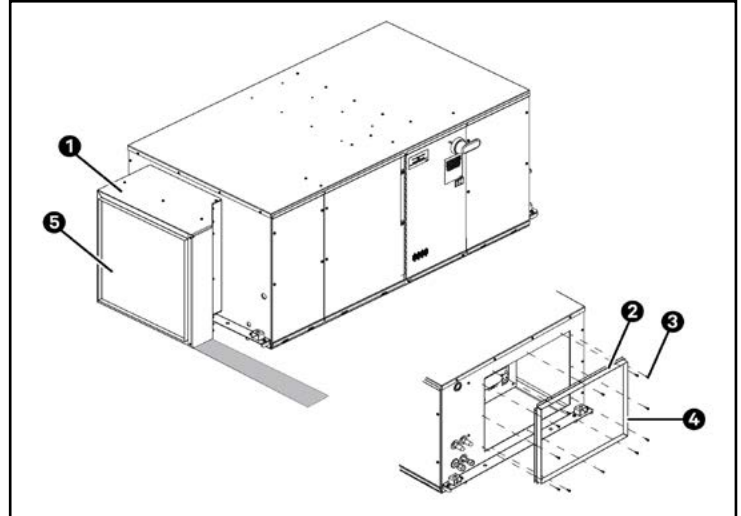


Discharge End of Unit

3. Make sure that there is no debris inside the unit before placing back the MERV 8 filter back to the unit.

**2 and 3 Ton (Model: MMI24 / MMI36,
Part Number: CEILFILTB-S)**

Components:

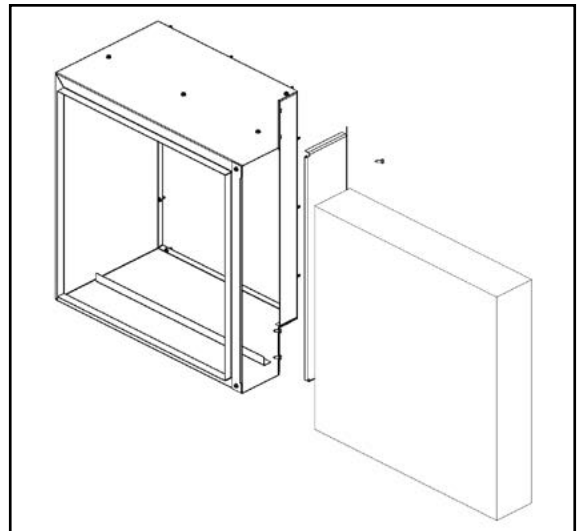


NOTE: Maintain a minimum clearance of 30 in. (762 mm) in front of the filter access door to ensure adequate space for component access and removal.

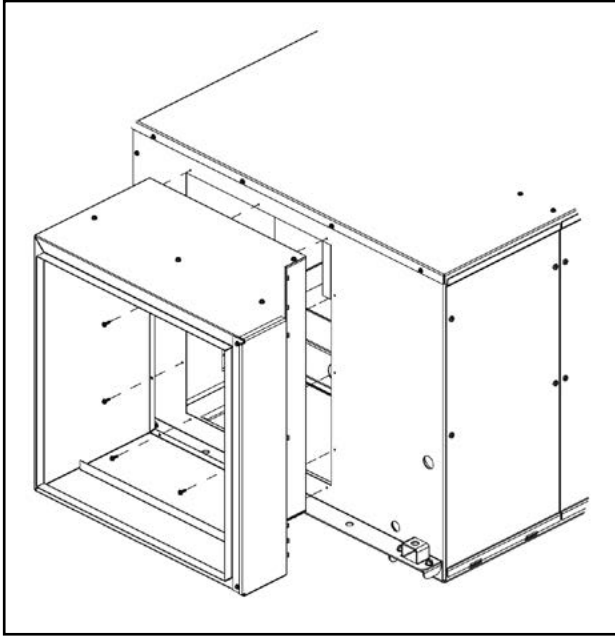
Item	Description	Quantity
1	Filter box assembly MMI24/36	1
2	MMI24/36 Duct flange H	2
3	Screw TPG HWH SLT B Z 8 X 1/2	26
4	MMI24/36 Duct flange V	2
5	Filter 20X20X4 MERV 8	1

Installation Instructions:

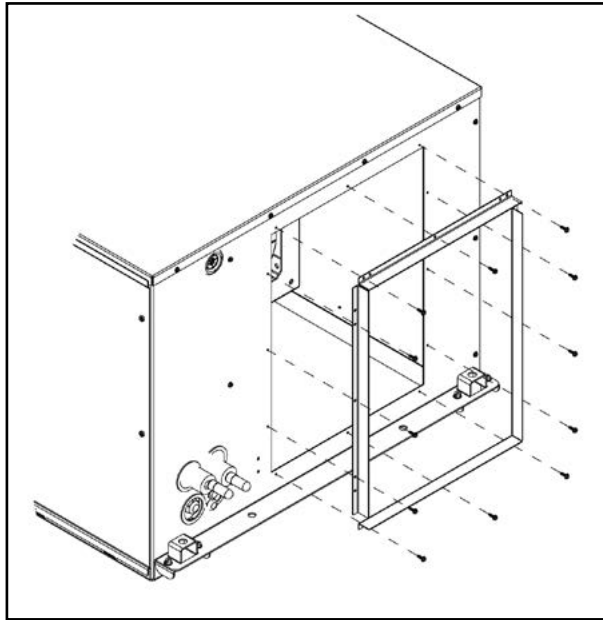
1. Remove the phillips screws and open the filter access door to remove the MERV 8 filter and gain access to the filter box mounting holes.



2. Locate the return opening of the unit and align the unit holes with the filter box holes and use provided screws from the kit to install it correctly. In the supply opening match the corresponding duct flanges with its holes to the unit and install them as shown.



Return Side of Unit

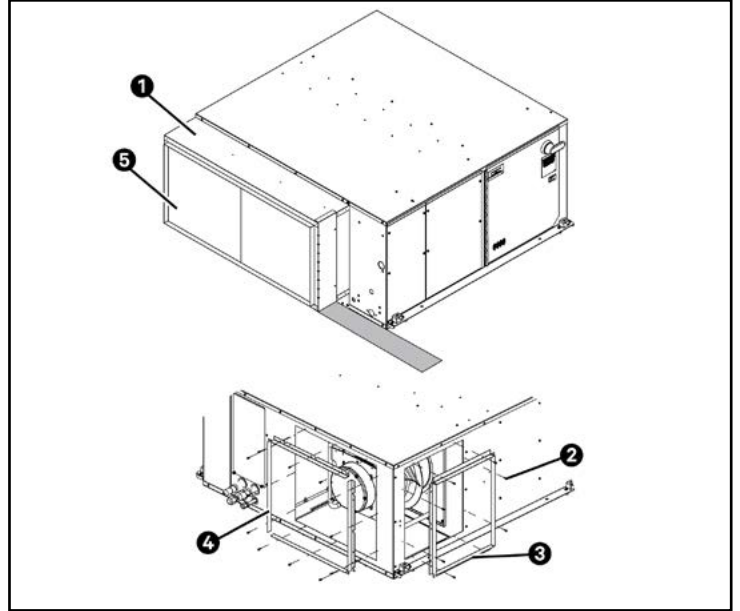


Discharge End of Unit

3. Make sure that there is no debris inside the unit before placing back the MERV 8 filter back to the unit.

**4 and 5 Ton (Model: MMI48 / MMI60,
Part Number: CEILFILTB-M)**

Components:

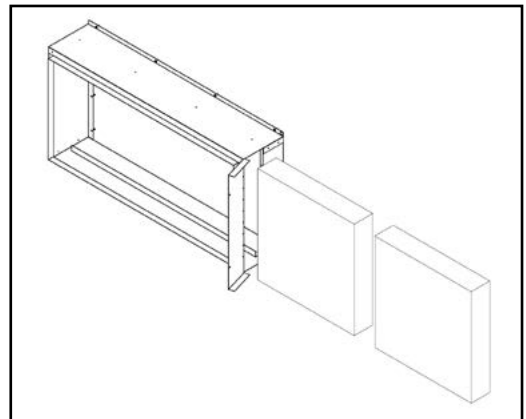


NOTE: Maintain a minimum clearance of 30 in. (762 mm) in front of the filter access door to ensure adequate space for component access and removal.

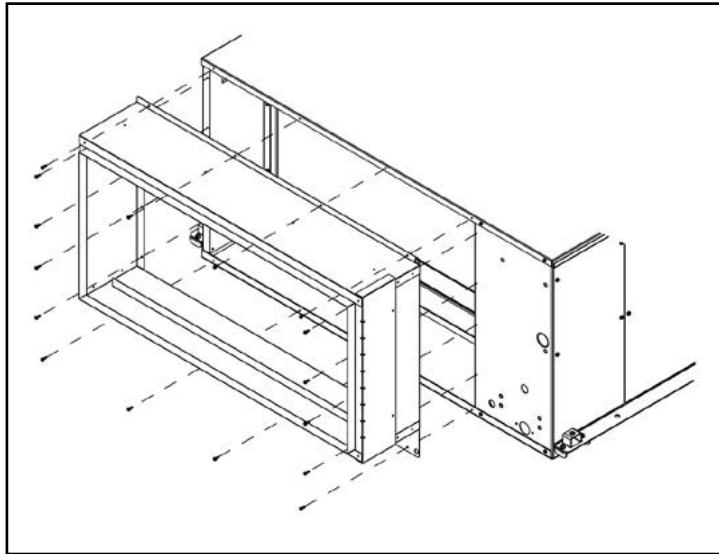
Item	Description	Quantity
1	Filter box assembly MMI48/60	1
2	Screw TPG HWH SLT B Z 8 X 1/2	35
3	MMI24/36 Duct flange H	2
4	MMI24/36 Duct flange V	6
5	Filter 20X20X4 MERV 8	2

Installation Instructions:

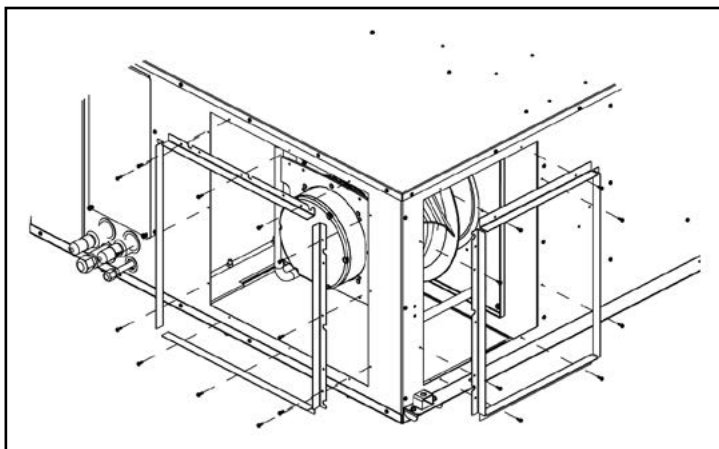
1. Remove the phillips screws and open the filter access door to remove the MERV 8 filter and gain access to the filter box mounting holes.



2. Locate the return opening of the unit and align the unit holes with the filter box holes and use provided screws from the kit to install it correctly. In the supply opening match the corresponding duct flanges with its holes to the unit and install them as shown.



Return Side of Unit

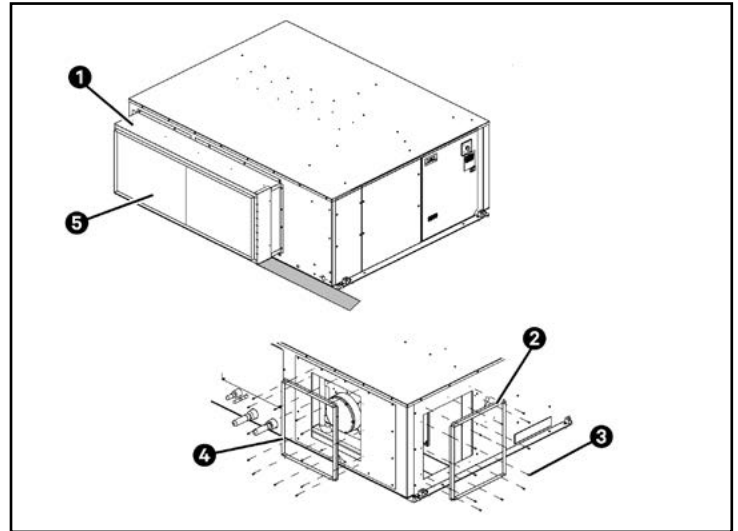


Discharge End of Unit

3. Make sure that there is no debris inside the unit before placing back the MERV 8 filter back to the unit.

8 Ton (Model: MMI98, Part Number: CEILFILTB-L)

Components:

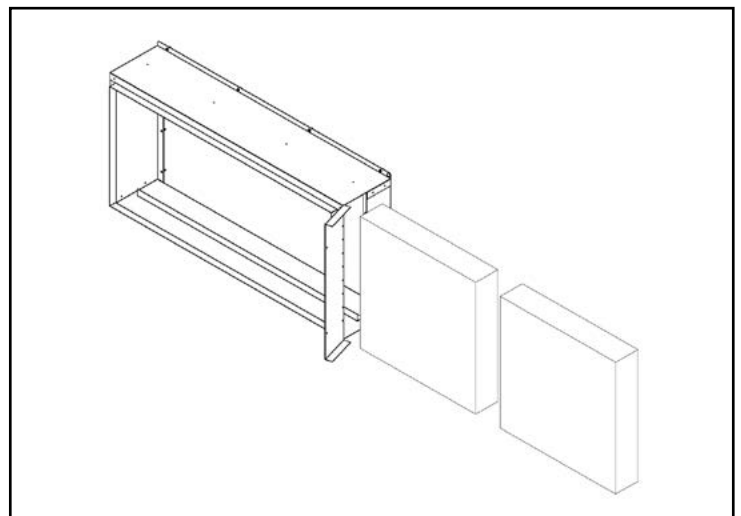


NOTE: Maintain a minimum clearance of 30 in. (762 mm) in front of the filter access door to ensure adequate space for component access and removal.

Item	Description	Quantity
1	Filter box assembly MMI98	1
2	MMI98 Duct flange H	4
3	Screw TPG HWH SLT B Z 8 X 1/2	42
4	MMI98 Duct flange V	4
5	Filter 20X20X4 MERV 8	2

Installation Instructions:

1. Remove the phillips screws and open the filter access door to remove the MERV 8 filter and gain access to the filter box mounting holes.

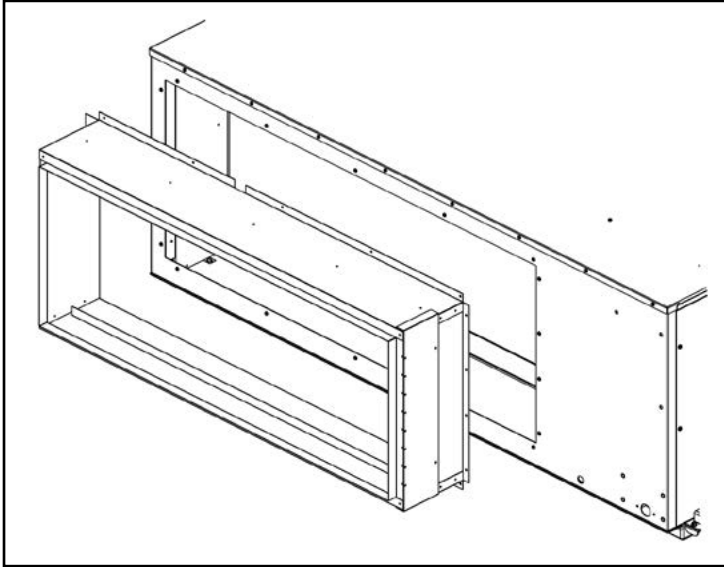


Vertiv™ CoolPhase Ceiling Filter Box Kit

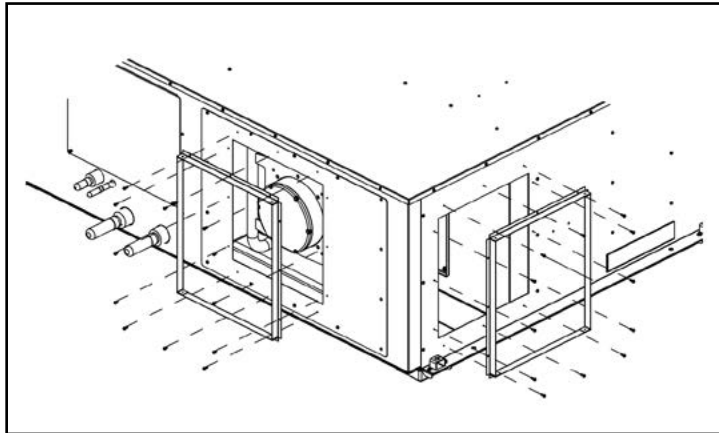
Quick Installation Guide



2. Locate the return opening of the unit and align the unit holes with the filter box holes and use provided screws from the kit to install it correctly. In the supply opening match the corresponding duct flanges with its holes to the unit and install them as shown.



Return Side of Unit



Discharge End of Unit

3. Make sure that there is no debris inside the unit before placing back the MERV 8 filter back to the unit.



To contact Vertiv Technical Support: visit www.Vertiv.com

©2025 Vertiv Group Corp. All rights reserved. Vertiv™ and the Vertiv logo are trademarks or registered trademarks of Vertiv Group Corp. All other names and logos referred to are trade names, trademarks or registered trademarks of their respective owners. While every precaution has been taken to ensure accuracy and completeness here, Vertiv Group Corp. assumes no responsibility, and disclaims all liability, for damages resulting from use of this information or for any errors or omissions. Specifications, rebates and other promotional offers are subject to change at Vertiv's sole discretion upon notice.

