

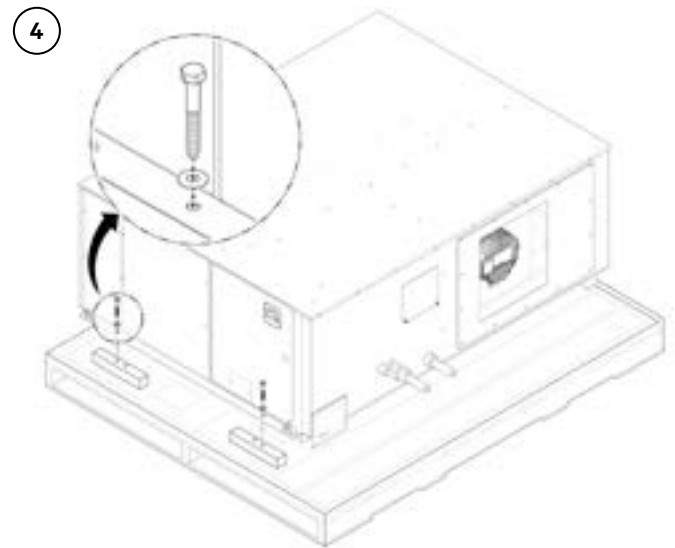
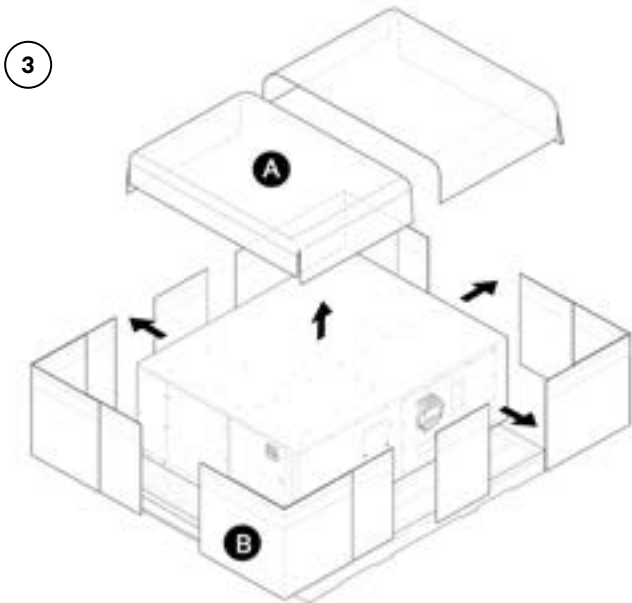
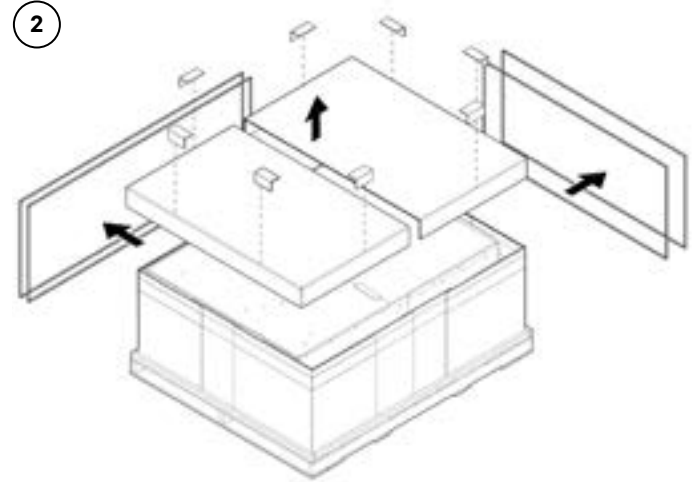
Vertiv™ CoolPhase Ceiling



Unpacking Instructions for MMI12, MMI24, MMI36, MMI48, MMI60 and MMI96.

The following tools/equipment are required to unpack Vertiv™ CoolPhase Ceiling:

- Safety boots.
- Gloves to avoid splinters when the panels are being handled.
- Fork lift or Pallet Jack to move unit closer to its final location.



Follow this instructions to unpack the Unit:

1. Place the package on a flat surface, then trim the poly straps to release the unit from the pallet.
2. Remove all cardboard protector edges and covers.
3. Remove the poly roll foil (A), then remove the corrugated pads (B).
4. Remove the hex-head screws and washers, then take the unit out of the pallet.

To contact Vertiv Technical Support: visit www.Vertiv.com

© 2026 Vertiv Group Corp. All rights reserved. Vertiv™ and the Vertiv logo are trademarks or registered trademarks of Vertiv Group Corp. All other names and logos referred to are trade names, trademarks or registered trademarks of their respective owners. While every precaution has been taken to ensure accuracy and completeness here, Vertiv Group Corp. assumes no responsibility, and disclaims all liability, for damages resulting from use of this information or for any errors or omissions.

