

Avocent® ADX IPUHD 4K IP KVM Device



Quick Installation Guide for Configuration with a Vertiv™ Avocent® ADX RM1048P Rack Manager

NOTE: These instructions are for configuring the Vertiv™ Avocent® ADX IPUHD 4K IP KVM device with a Vertiv Avocent ADX RM1048P Rack Manager.

For instructions on using the 4K IP KVM device powered by non-Vertiv PoE+ port devices or a Vertiv™ Avocent® ADX IPSS power supply, see the pages following this one.

1. Powering the 4K IP KVM device

Use a CAT 5e or CAT 6 cable to connect the LAN 1 (PoE+) port of the 4K IP KVM device to one of the PoE+ ports on the rack manager.

The power LED blinks red when power is applied then turns solid red or green to indicate it is ready for operation.

NOTE: In this configuration, the 4K KVM device is powered using a PoE+ port connected to LAN 1. LAN 2 is not a PoE+ port and cannot be used to power the unit.

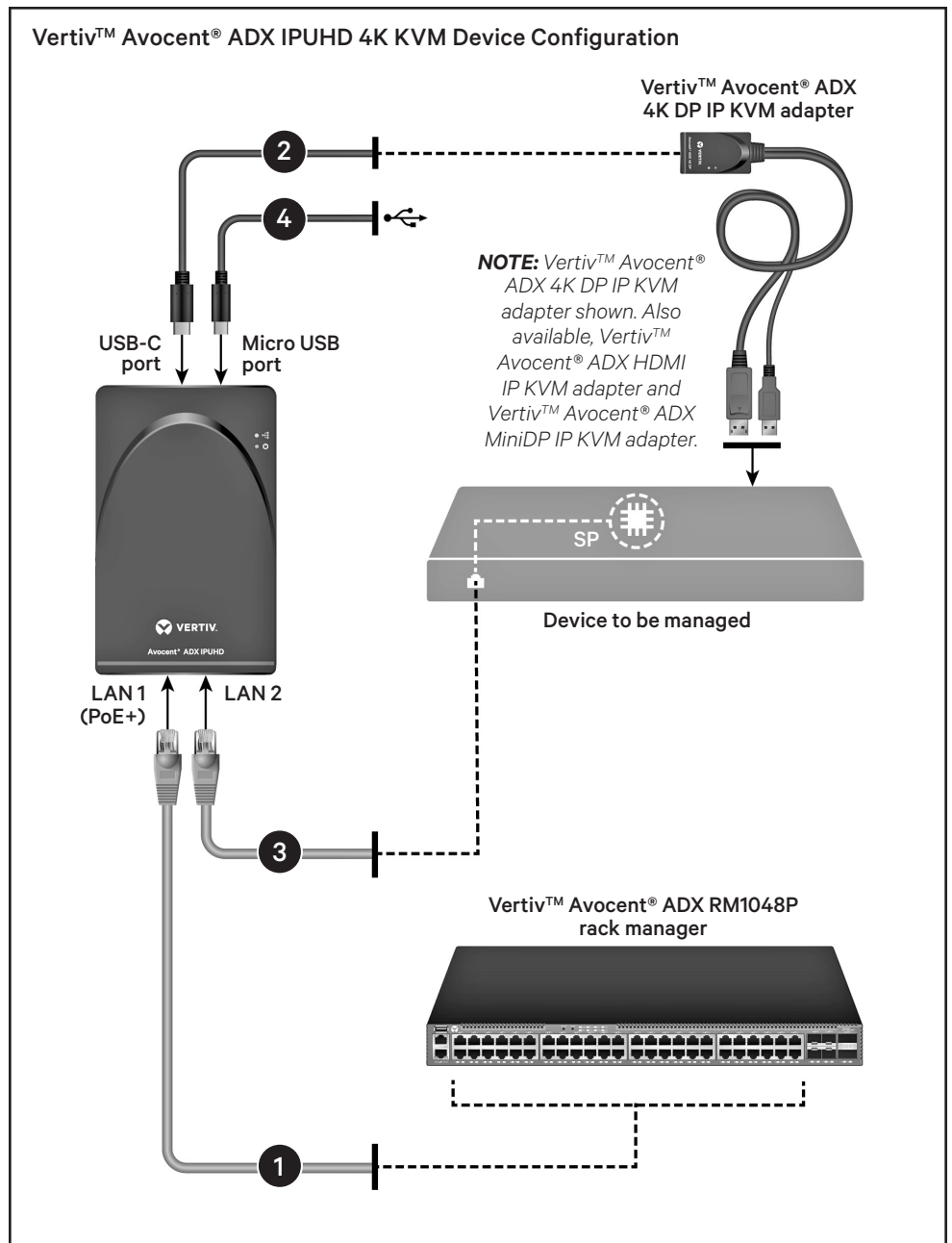
2. Connecting to the managed device

Use the provided USB-C cable to connect the USB-C port of the 4K IP KVM device directly to the managed device. If the device has no available USB-C port with DisplayPort alternative mode support, or if the USB-C port is unavailable, install a Vertiv Avocent ADX 4K IP KVM adapter with the appropriate video port cable connection to the device. Connect the USB-C cable from the 4K IP KVM device to the adapter's USB-C port.

NOTE: Avocent ADX 4K IP KVM adapter video cable connection options for DP, HDMI and MiniDP are available. Each adapter has a single USB Type A cable for keyboard/mouse control.

3. Connecting to a device's service processor (optional)

Connect the LAN 2 port of the 4K IP KVM device to the network port on the service processor.



4. Connecting to a serial device (optional)

Use a Micro USB cable to connect the 4K IP KVM device to either a serial device or a USB-to-serial converter to manage the host.

NOTE: In configurations with a rack manager, the 4K IP KVM devices are auto-discovered and require no additional first time setup.

Avocent® ADX IPUHD 4K IP KVM Device

Quick Installation Guide for Configuration With Other Devices or Power Supplies

NOTE: These instructions are for configuring a Vertiv™ Avocent® ADX IPUHD 4K IP KVM device powered by either a Vertiv™ Avocent® ADX IPSS power supply or by a device connected via a Power over Ethernet Plus (PoE+) port.

1. Powering the 4K IP KVM device

The 4K IP KVM device may be powered by either a Vertiv Avocent ADX IPSS power supply or by connecting the 4K IP KVM device to a powered network switch (via a PoE+ port). If you are using a network switch to power your 4K IP KVM device, proceed to step 2.

To power the 4K IP KVM device with the IPSS power supply, insert the appropriate end of the power supply into the DC power port of the 4K IP KVM device and plug the other end into an appropriate power source. The power LED blinks red when power is applied, then turns solid red or green to indicate it is ready for operation.

NOTE: Each IPSS power supply can support two 4K IP KVM devices.

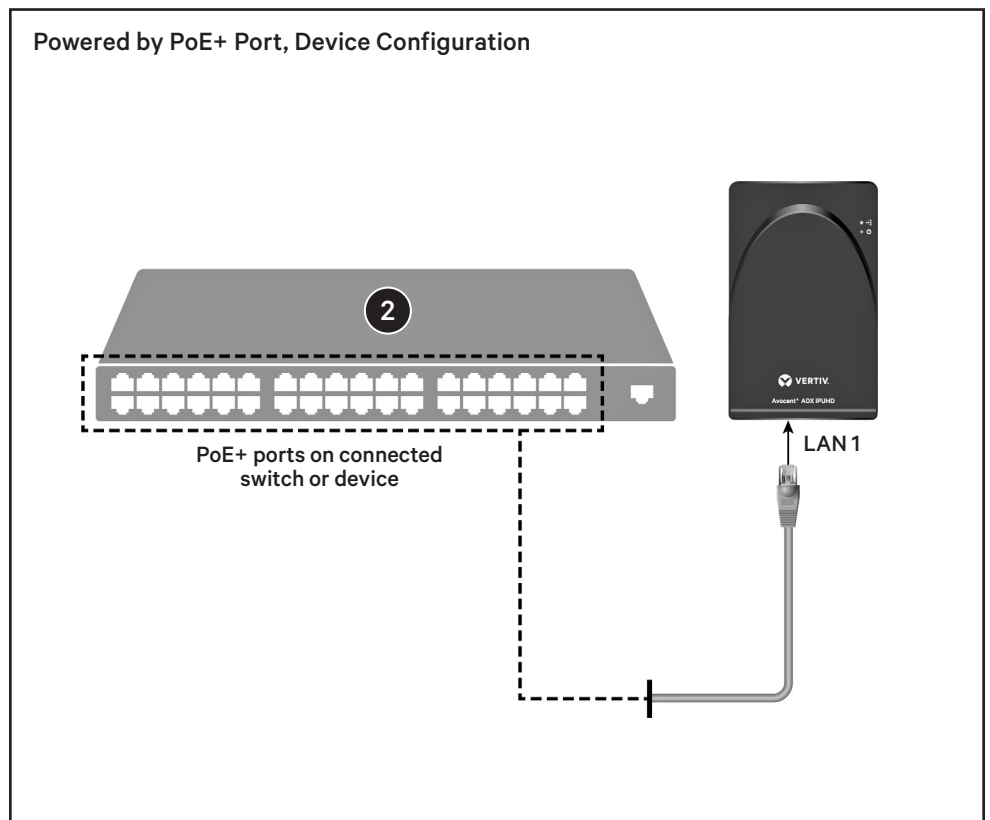
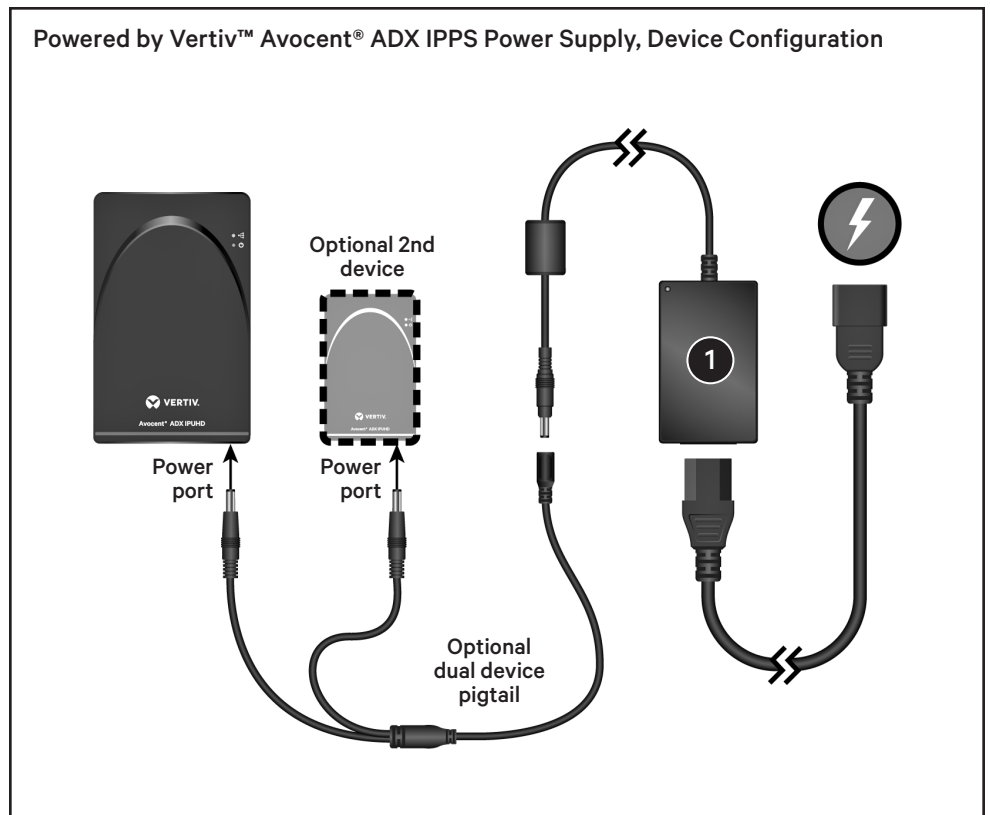
2. Connecting to a network switch

Use a CAT 5e or CAT 6 cable to connect the LAN 1 port of the 4K IP KVM device to a port on your network switch or device.

NOTE: If following the PoE configuration, the port you connect to must be the PoE+ port on your network switch/device. The 4K IP KVM device requires an 802.3 Type 2 (30W) PoE+ port.

3. Connecting to the managed device

Use the provided USB-C cable to connect the USB-C port of the 4K IP KVM device directly to the managed device. If the device has no available USB-C port with DisplayPort alternative mode support, or if the USB-C port is unavailable, install a Vertiv Avocent ADX 4K IP KVM



adapter with the appropriate video port cable connection to the device. Connect the USB-C cable from the 4K IP KVM device to the adapter's USB-C port.

NOTE: Avocent ADX 4K IP KVM adapter video cable connection options for DP, HDMI and MiniDP are available. Each adapter has a single USB Type A cable for keyboard/mouse control.

4. Connecting to a device's service processor (optional)

Connect the LAN 2 port of the 4K IP KVM device to the network port on the service processor.

5. Connecting to a serial device (optional)

Use a Micro USB cable to connect the 4K IP KVM device to a serial device or a USB-to-serial converter to manage the host.

First time setup of the 4K IP KVM device

By default, a DHCP server on the network assigns an IP address to the 4K IP KVM device. Get that IP address from the DHCP server and enter it into <https://<IPaddr>> to connect to its web UI.

If the assigned IP address is unknown, follow one of these two steps:

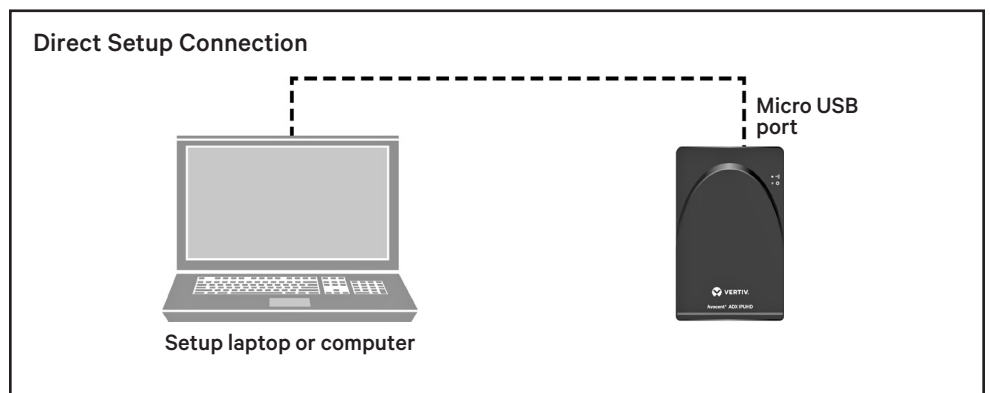
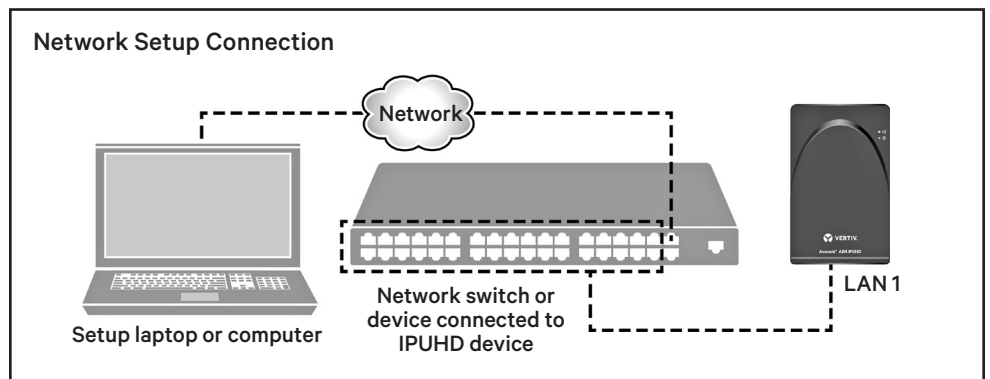
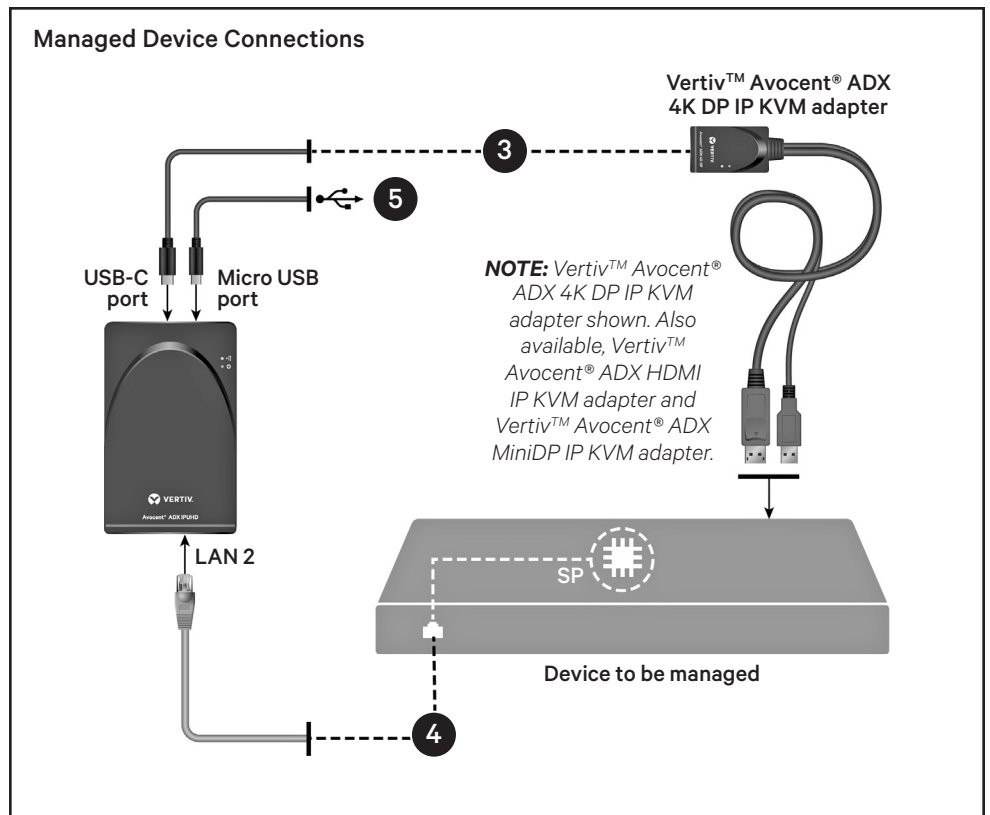
NOTE: The computer you are connecting must have a minimum of Windows 10 installed or have the Bonjour protocol installed (by default on Mac-OS computers).

- a) Connect another computer to the same local network to which the 4K IP KVM device is connected.

OR

- b) Connect a micro USB cable from the 4K IP KVM device's micro USB port to another computer.

NOTE: Ensure that a new USB-NIC network interface was created automatically on the computer.



From a web browser on your computer enter: **https://ipuhd-<macaddr-LAN1>.local**, where macaddr-LAN1 is the MAC1 on the sticker of the 4K IP KVM device.

For example, <https://ipuhd-12a4dc3255b0.local>

NOTE: *If the hostname is not found, you may use this predefined IP address instead: [https:// 169.254.0.10](https://169.254.0.10).*

Once the URL is entered into the browser, the 4K IP KVM device's web UI appears.

Log in with the default username/ password of **admin/Password1**. You may be asked to change the password on first login.

From the web UI, navigate to *Configuration - Network - ethbr0* to find the assigned DHCP IP address or

change any desired Network settings (for example, change to a static IP address).

By default, the 4K IP KVM device is managed by a rack manager (Managed mode). To use the 4K IP KVM device with a power supply, select *Configuration - Registration* in the web UI and select Standalone under the Mode heading.

Hay disponible la versión traducida de este documento en www.vertiv.com/ADX-4K-IP-UHD-KVM.

To contact Vertiv Technical Support: visit www.Vertiv.com

© 2022 Vertiv Group Corp. All rights reserved. Vertiv™ and the Vertiv logo are trademarks or registered trademarks of Vertiv Group Corp. All other names and logos referred to are trade names, trademarks or registered trademarks of their respective owners. While every precaution has been taken to ensure accuracy and completeness here, Vertiv Group Corp. assumes no responsibility, and disclaims all liability, for damages resulting from use of this information or for any errors or omissions. Specifications, rebates and other promotional offers are subject to change at Vertiv's sole discretion upon notice.

