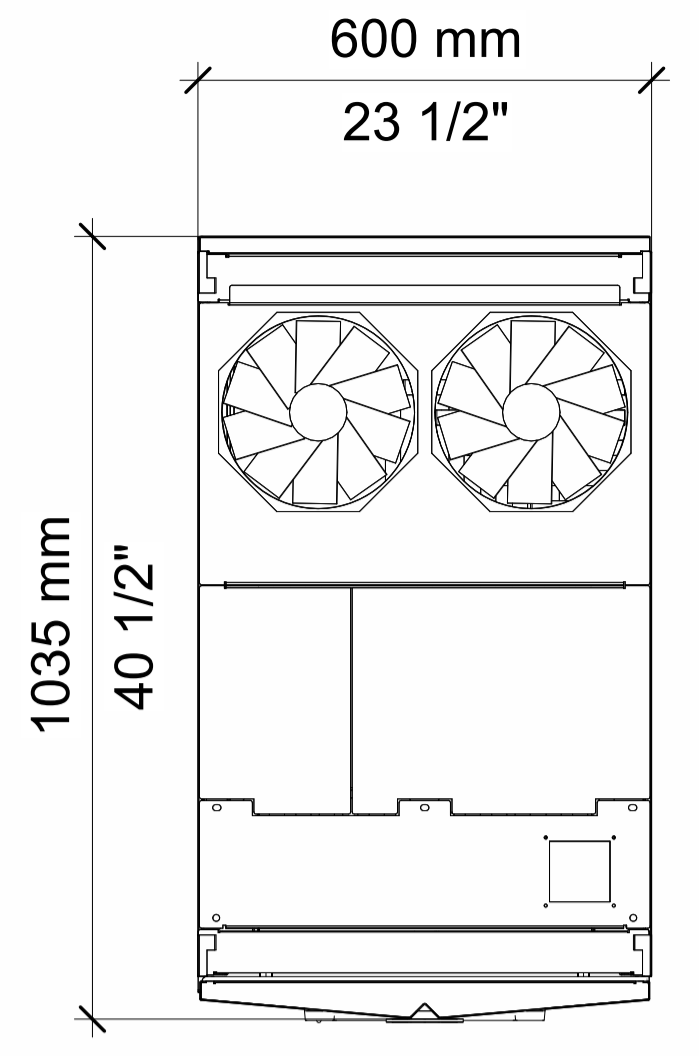
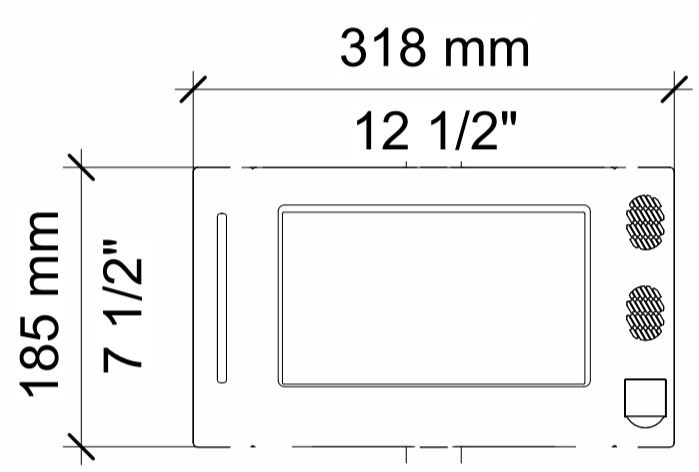


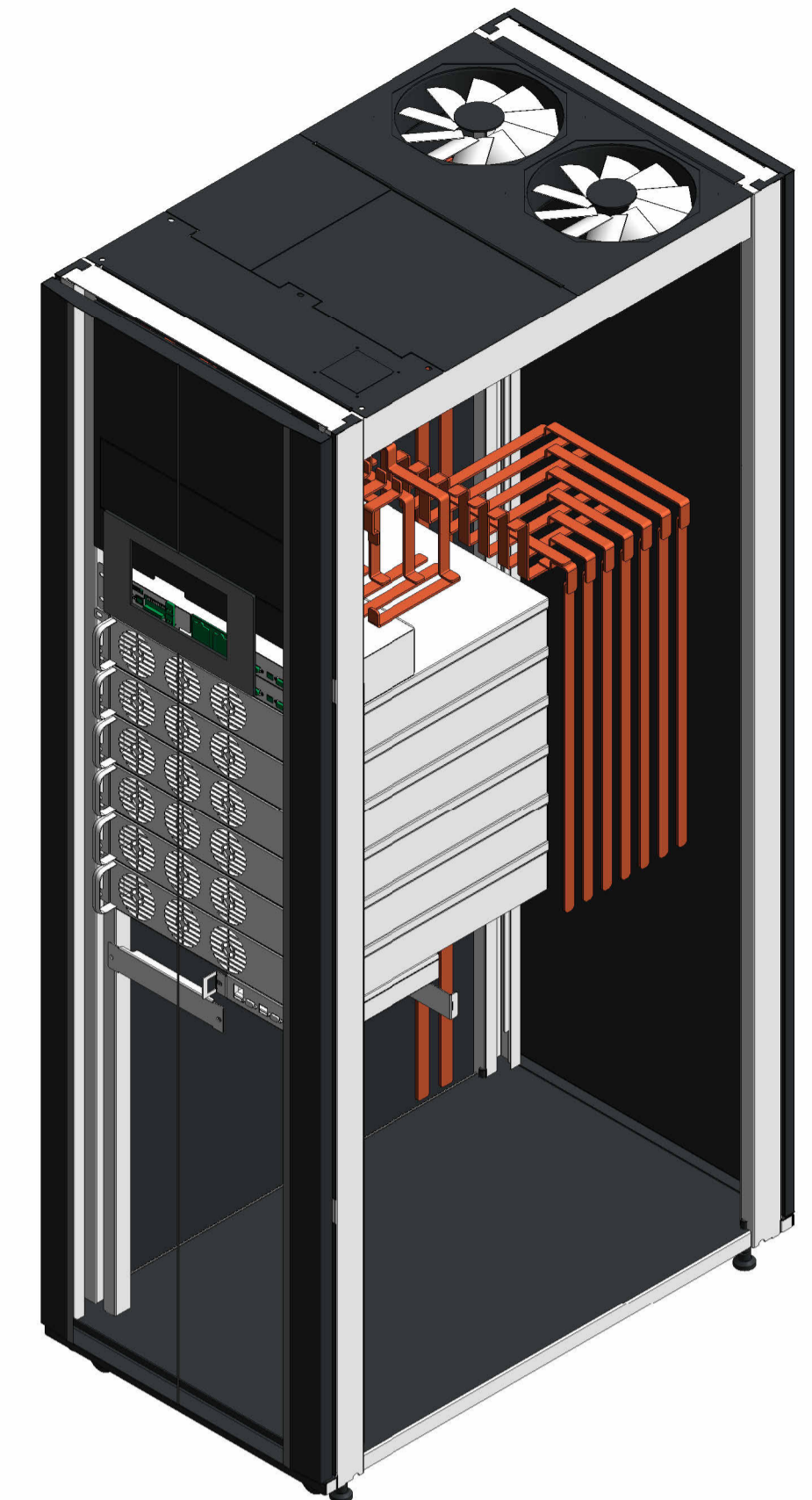
LEGAL DISCLAIMER: THIS DOCUMENT AND THE CONTENTS HEREIN ARE CONFIDENTIAL AND THE SOLE PROPERTY OF VERTIV. REPRODUCTION, DISTRIBUTION, OR UNAUTHORIZED USE OF THIS DOCUMENT OR ANY PARTS WITHIN THIS DOCUMENT ARE FORBIDDEN WITHOUT THE WRITTEN CONSENT OF VERTIV.



Front View



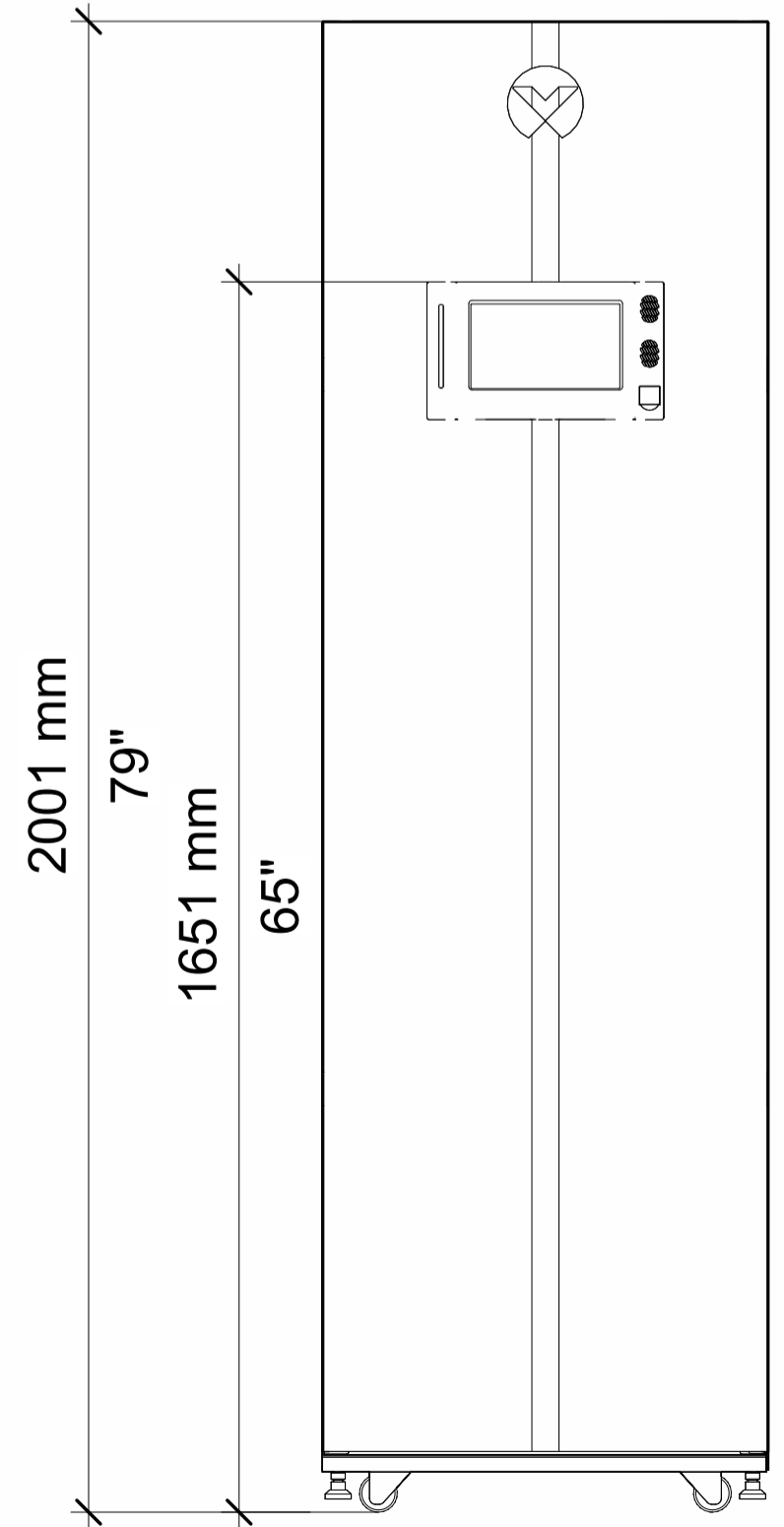
Display



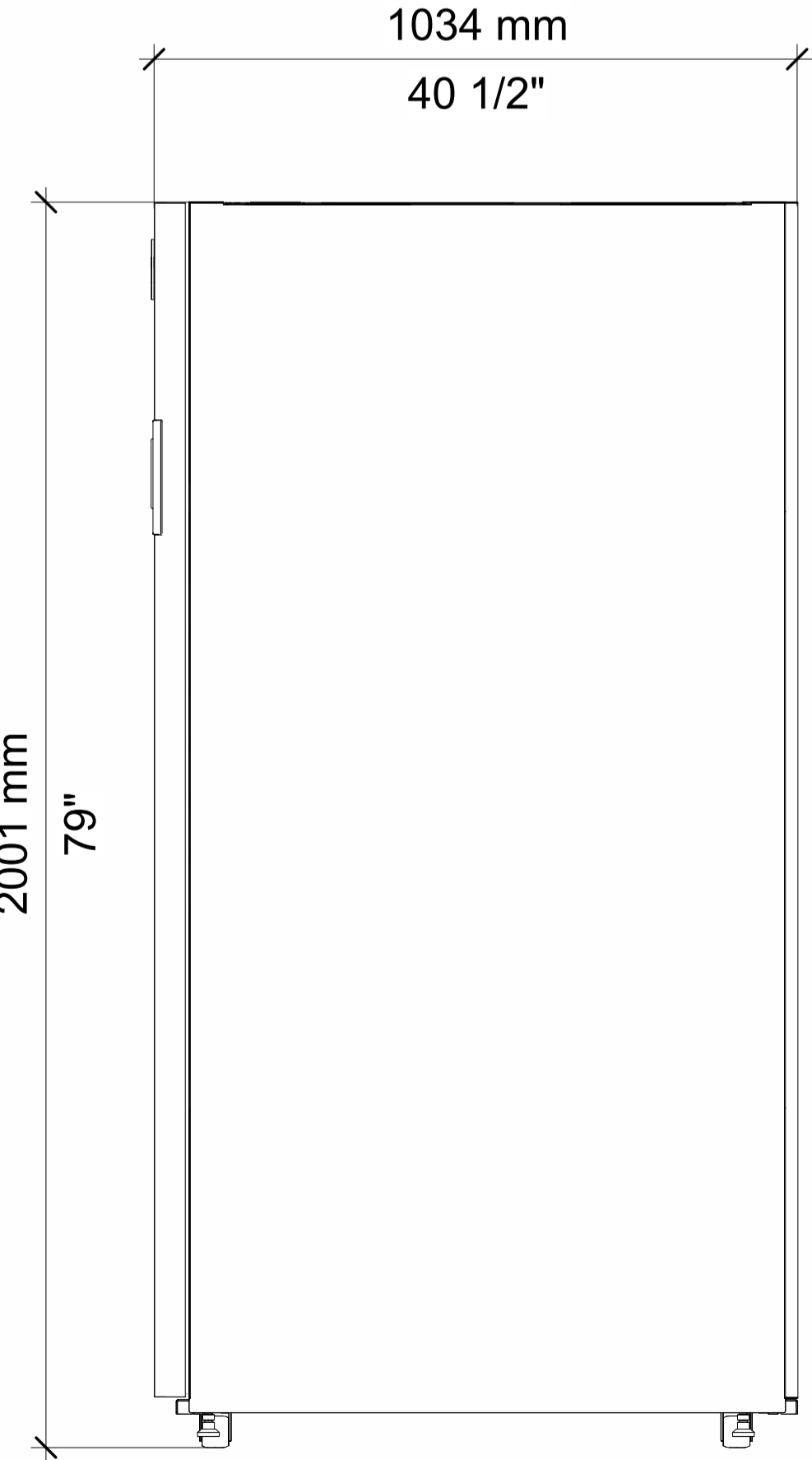
3D Section View



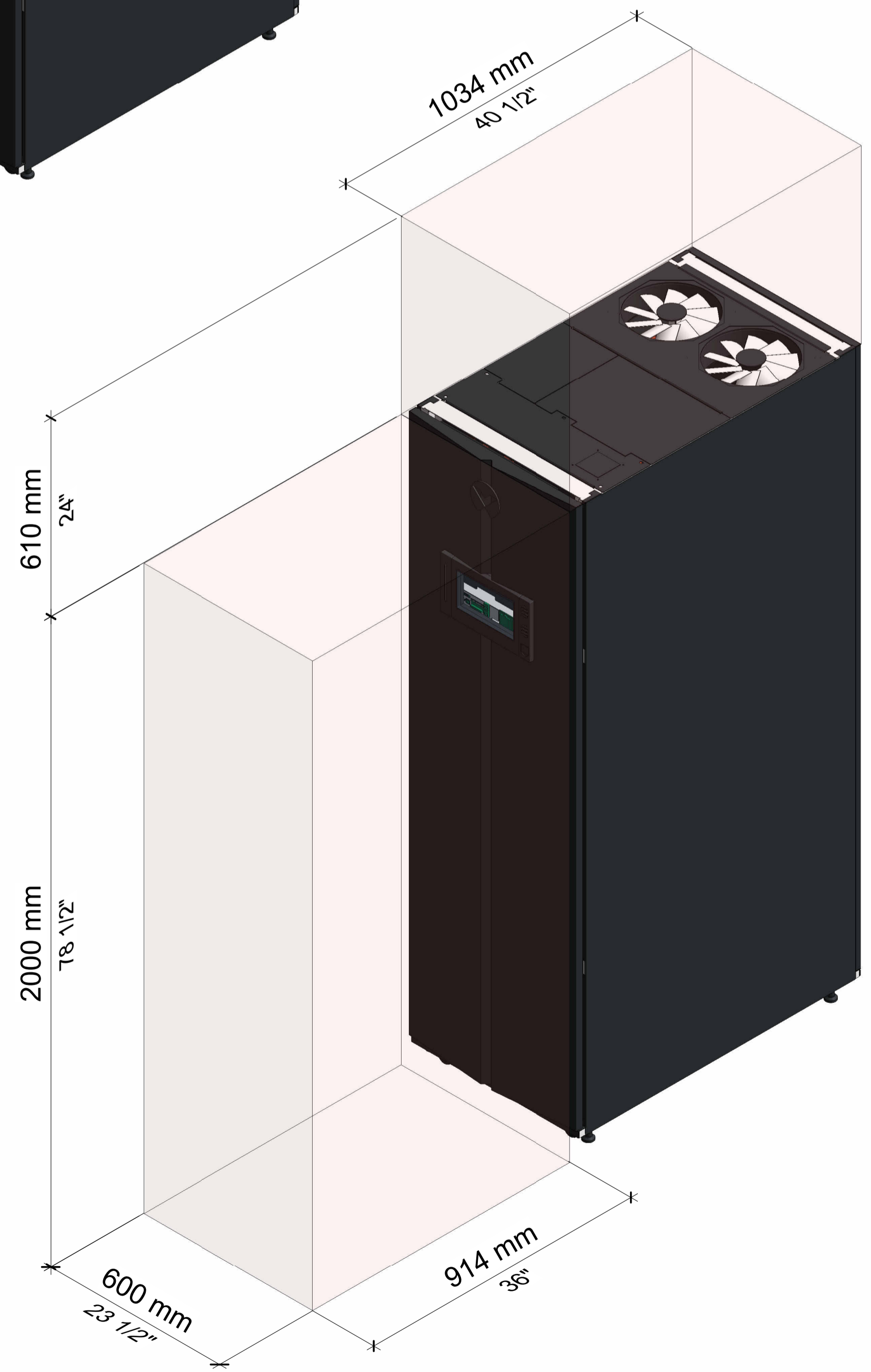
3D View



Front View



Side View



Clearance View

KEYNOTES

KEY PLAN

REV.	DESCRIPTION	DATE



PROJECT NAME

laS_ACP_1135

DRAWING NAME

V-APM2-60-600kVA-EE

DOCUMENT RESPONSIBLE / APPROVED BY

Approver

PREPARED BY (ALSO SUBJECT RESPONSIBLE IF OTHER)

BIM Team Pune

DOCUMENT NUMBER	PROJECT	REVISION

SHEET SIZE	DRAWING SCALE	DATE (YYYY-MM-DD)
A1		2025-01-08