

# Vertiv™ Liebert® GXT5 Lithium-Ion UPS 5kVA L630 HV, 200-240V (L1, L2, G)



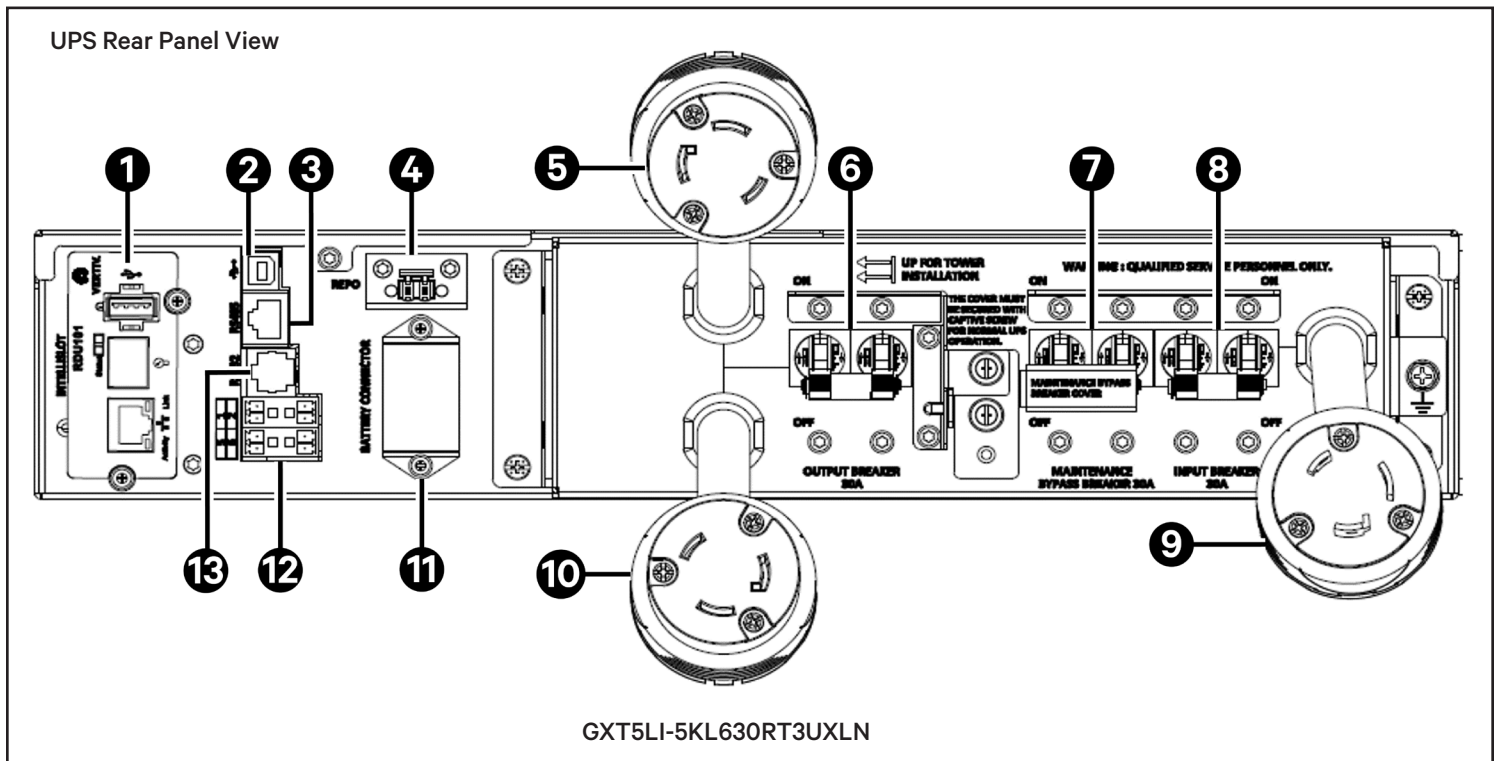
## Quick Installation Guide



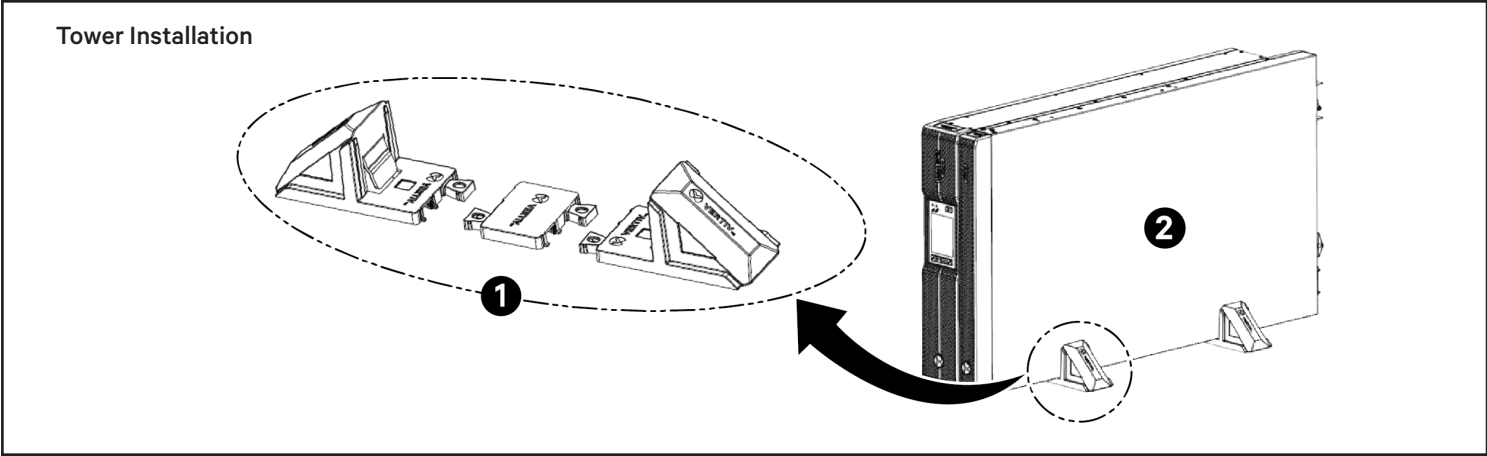
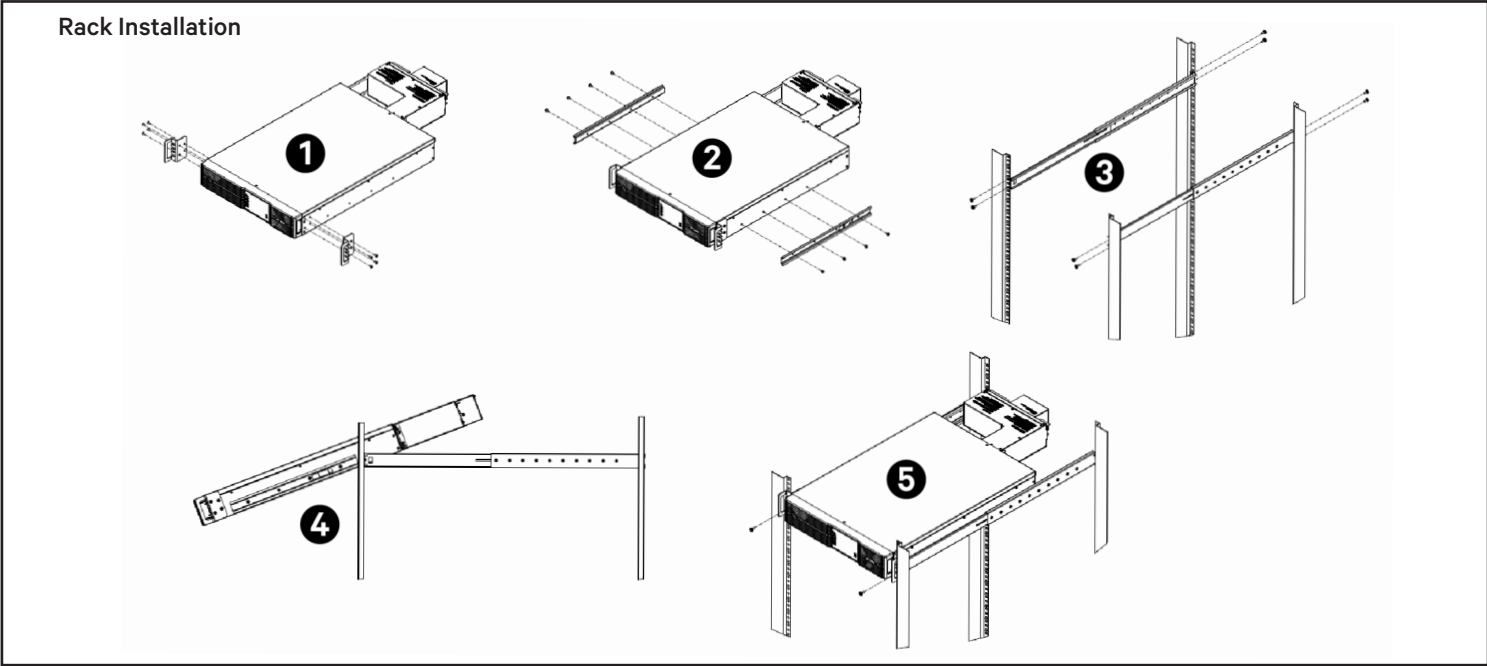
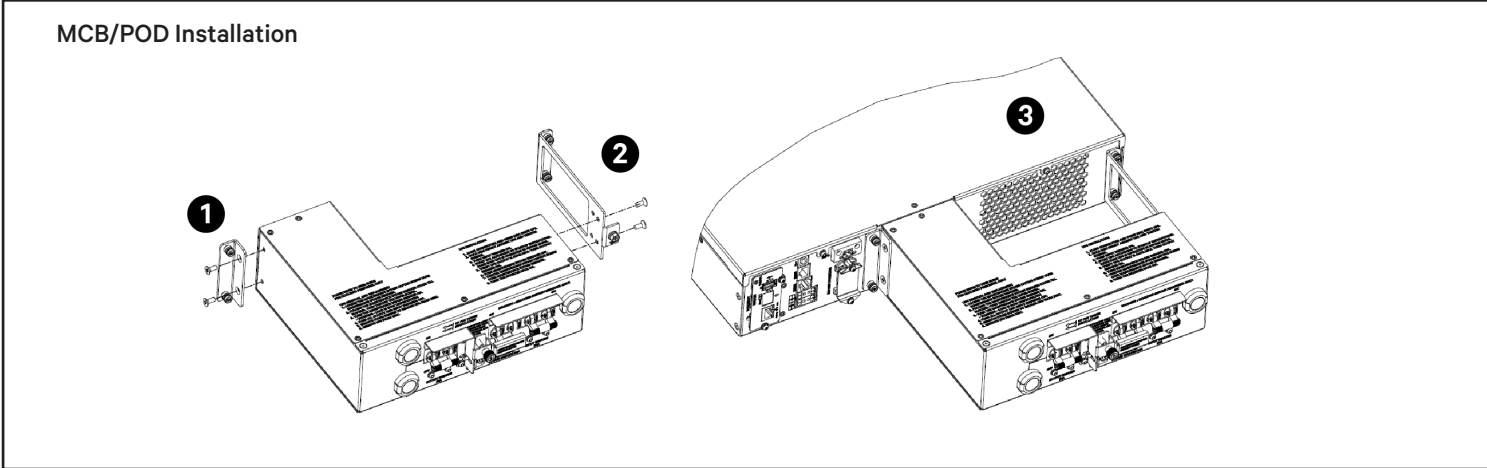
Thank you for your recent purchase of a Vertiv UPS! We appreciate your business and are confident that your new product will provide many years of uninterruptible power to your connected equipment. With this purchase, you may also want to consider Vertiv's complete line of racks, PDUs, thermal solutions, KVM switches, and serial consoles. Vertiv also offers a broad array of services and extended warranties. If you require any assistance or support, please don't hesitate to reach out to one of our resellers, local rep firms, or directly to us at 1-800-222-5877 menu option 1. We stand ready to support you. We sincerely hope that you'll continue to select Vertiv for all your future infrastructure needs!

The Vertiv Team

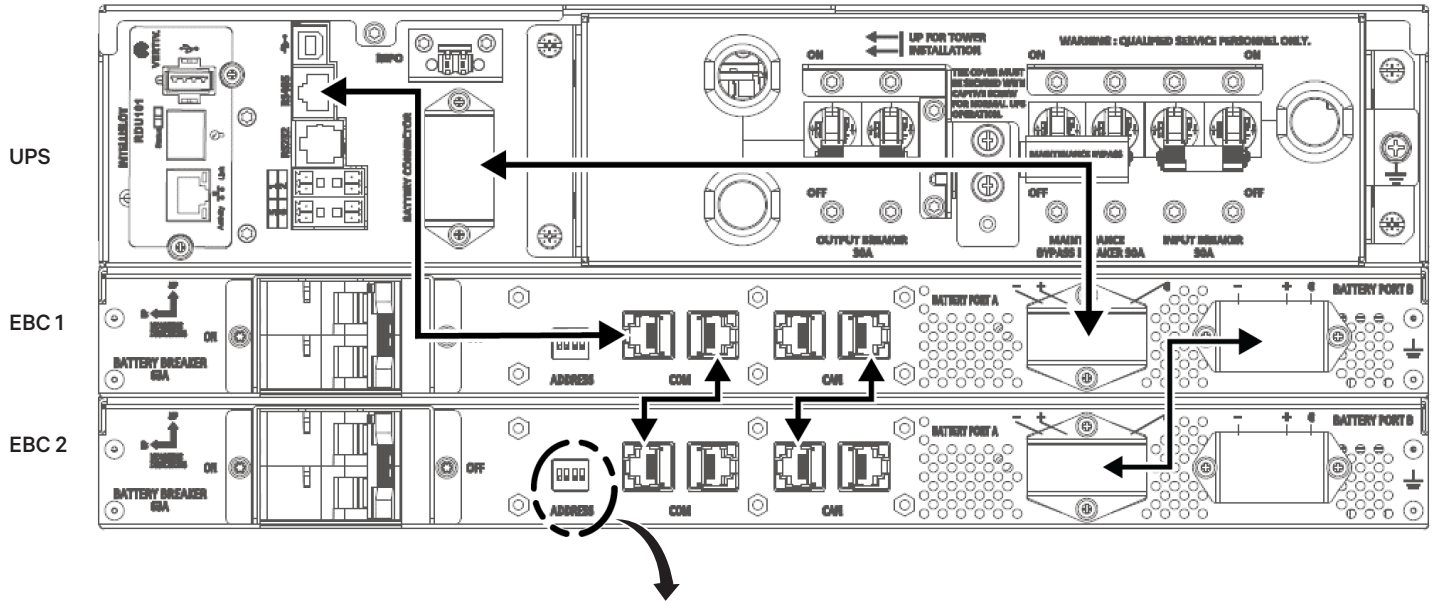
**IMPORTANT:** Before installing, connecting to supply, or operating the Vertiv™ Liebert® GXT5 Lithium-Ion UPS, refer to the SL-55024 Safety and Regulatory Statements Sheet. For detailed installation, operation, maintenance, and troubleshooting information, refer to the Vertiv™ Liebert® GXT5 Lithium-Ion UPS User Guide for your model by scanning the QR code above, or visiting [www.Vertiv.com](http://www.Vertiv.com).



Item No.	Description	Item No.	Description
1	Preinstalled network card	8	Input circuit breaker
2	USB port	9	L6-30P input
3	External Battery Cabinet (EBC) communication port (RS-485)	10	L6-30R output
4	REPO connector	11	EBC connector
5	L6-30R output	12	Dry contact communication terminal block
6	Output circuit breaker	13	RS-232 port (used for CLI)
7	Maintenance bypass circuit breaker		



**EBC Installation**



EBC Address	DIP Switch Position			
	1	2	3	4
1	OFF	OFF	OFF	OFF
2	OFF	OFF	OFF	ON
3	OFF	OFF	ON	OFF
4	OFF	OFF	ON	ON
5	OFF	ON	OFF	OFF
6	OFF	ON	OFF	ON
7	OFF	ON	ON	OFF
8	OFF	ON	ON	ON



**To contact Vertiv Technical Support: visit [www.Vertiv.com](http://www.Vertiv.com)**

© 2023 Vertiv Group Corp. All rights reserved. Vertiv™ and the Vertiv logo are trademarks or registered trademarks of Vertiv Group Corp. All other names and logos referred to are trade names, trademarks or registered trademarks of their respective owners. While every precaution has been taken to ensure accuracy and completeness here, Vertiv Group Corp. assumes no responsibility, and disclaims all liability, for damages resulting from use of this information or for any errors or omissions.

