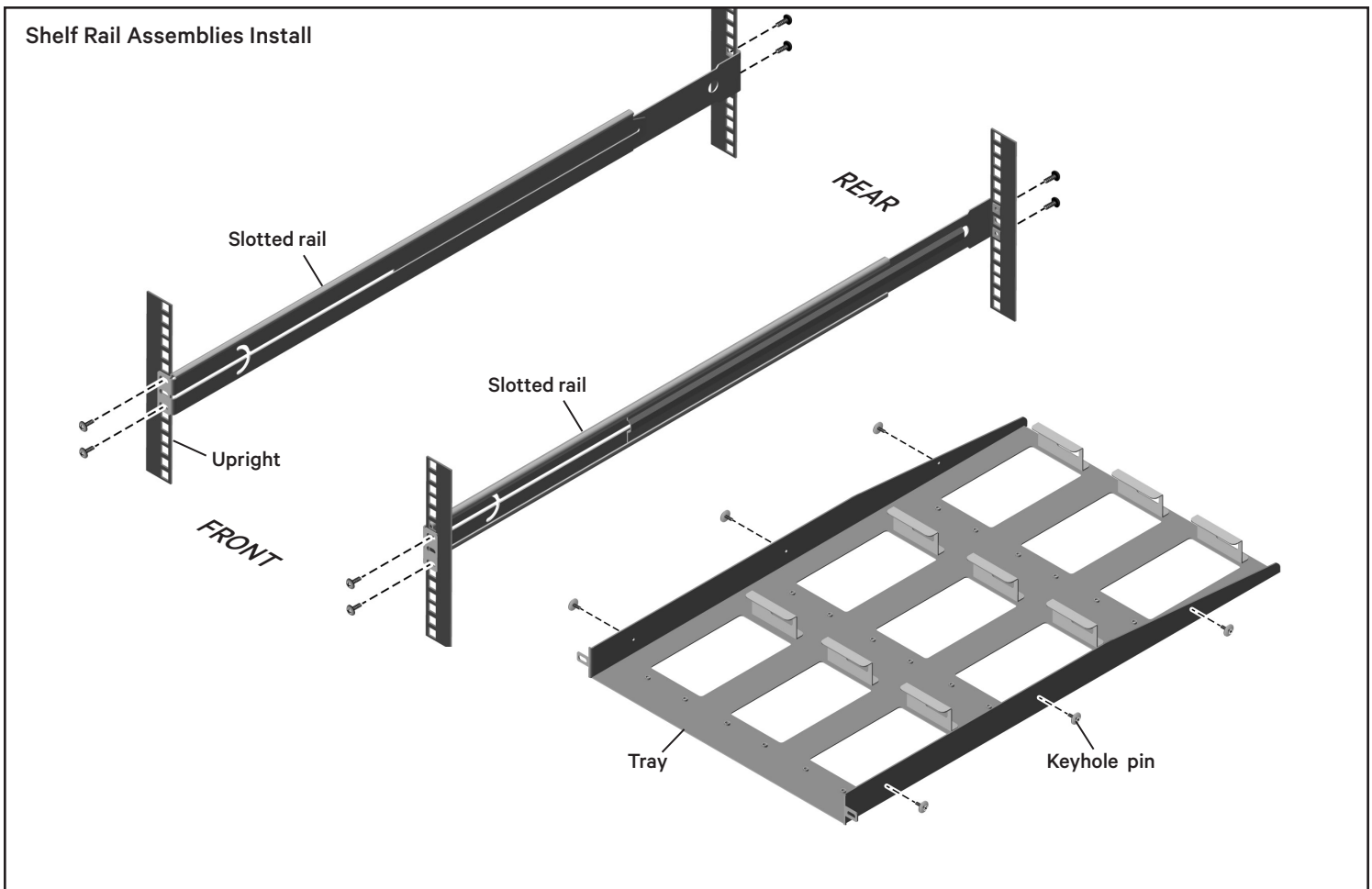


# Avocent® IPUHD 4K IP KVM Device



## 1U Shelf Rack Mount Installation Guide



### 1U SHELF INSTALL

Determine the 1U location in the rack where you want to install the Vertiv Avocent IPUHD 4K IP KVM device mounting shelf.

#### 1. Installing the shelf rails

Orient the two adjustable shelf rail assemblies so that the slotted rail of each is pointed toward the front of the rack. Loosely attach the two rails to the uprights using clip nuts and screws.

**NOTE:** Rails should be loosely fastened to the upright. Do not fully tighten the attachment screws.

Insert the clip nuts into all three holes of the 1U space of each upright. Only use the top and bottom holes to fasten the rail ends

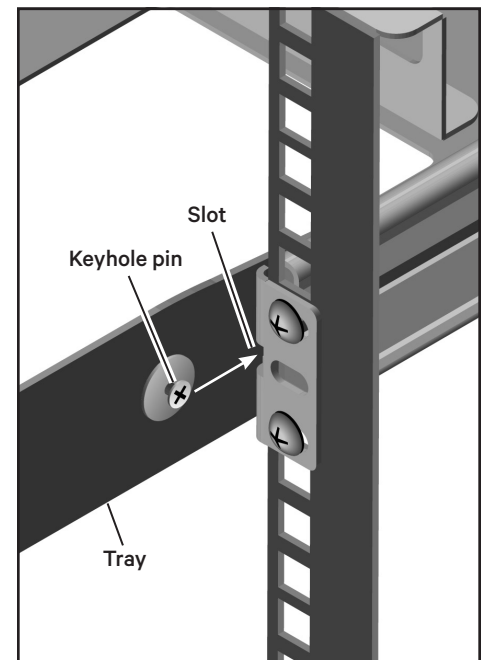
to the uprights. The center hole should be left open.

Install the six keyhole pins into the tray's sides as shown in the illustration above.

Align the rear keyhole pins on each side of the tray with the slots in the fronts of the two installed rail assemblies.

**NOTE:** Adjust the rail so that the end of the slot is not blocked by the upright to which it is attached.

Using the tray as a spacing template, slide the tray into the space between the rails, adjusting, if necessary, the loosely fastened rails. Once the tray is fully inserted, complete the tightening of the rail screws to set the rails in place. Remove the tray.



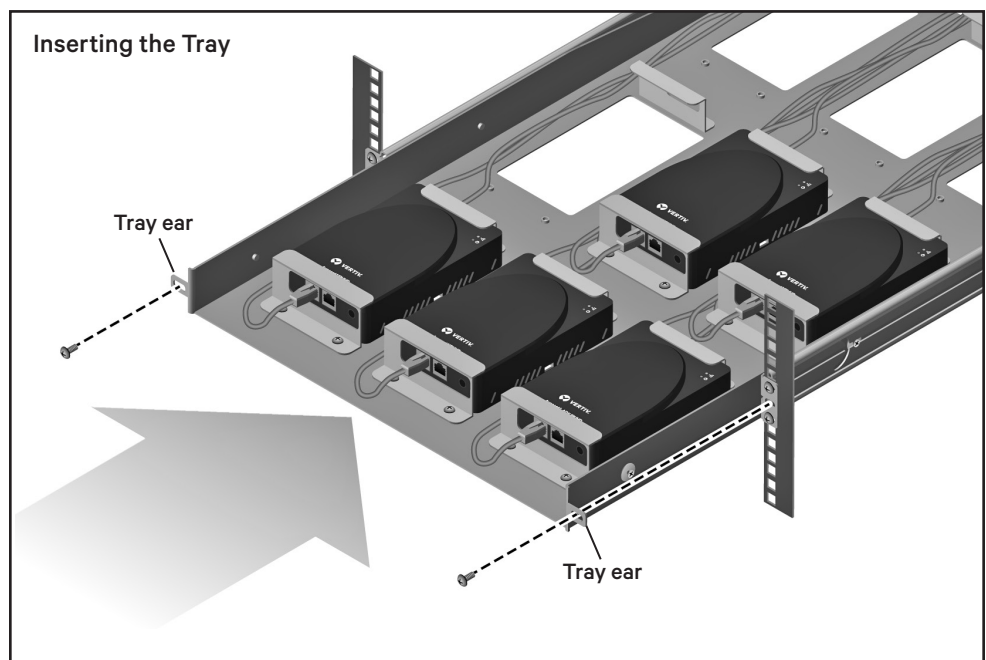
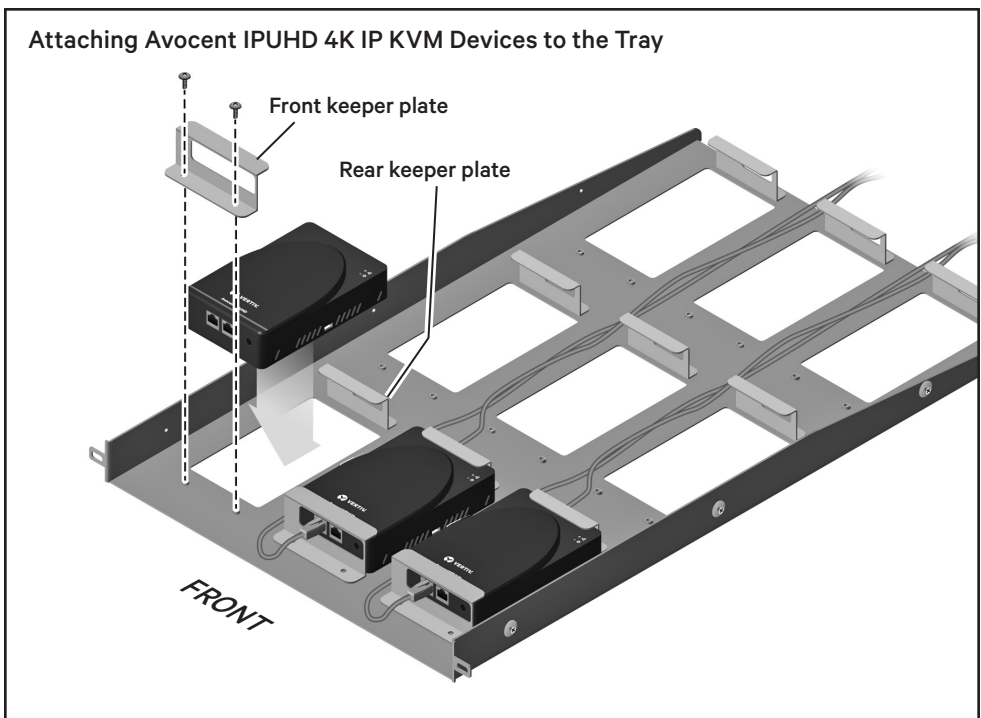
## 2. Installing 4K IP KVM devices

The tray holds up to nine 4k IP KVM devices. Position a device over one of the large holes in the bottom of the tray and against that position's rear keeper plate. Orient the device so its RJ45 ports face the front of the tray. Capture the front of the device with the front keeper plate, fastening it in place to the tray bottom with two screws.

After the devices are secured to the tray, connect the cables to the devices' ports through the access holes in the keeper plates. Route the cables between the devices and out the back of the tray.

## 3. Inserting the tray

Align the rear keyhole pins on each side of the tray with the slots in the fronts of the two installed rail assemblies. Slide the tray into the space between the rails. Use a screw to attach the ear on either side of the tray to the open center hole of the 1U space.



**To contact Vertiv Technical Support: visit [www.Vertiv.com](http://www.Vertiv.com)**

© 2024 Vertiv Group Corp. All rights reserved. Vertiv™ and the Vertiv logo are trademarks or registered trademarks of Vertiv Group Corp. All other names and logos referred to are trade names, trademarks or registered trademarks of their respective owners. While every precaution has been taken to ensure accuracy and completeness here, Vertiv Group Corp. assumes no responsibility, and disclaims all liability, for damages resulting from use of this information or for any errors or omissions.

